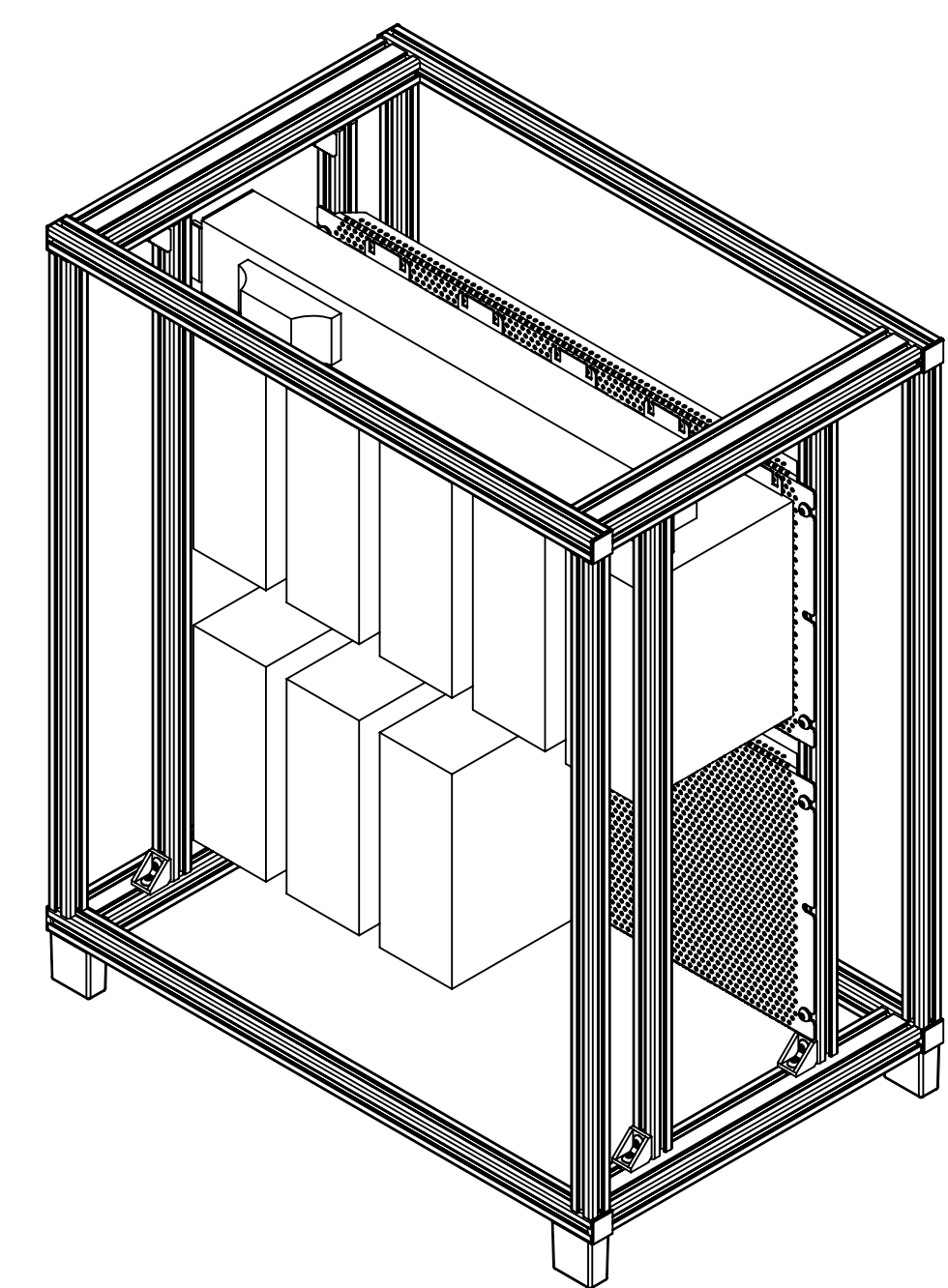
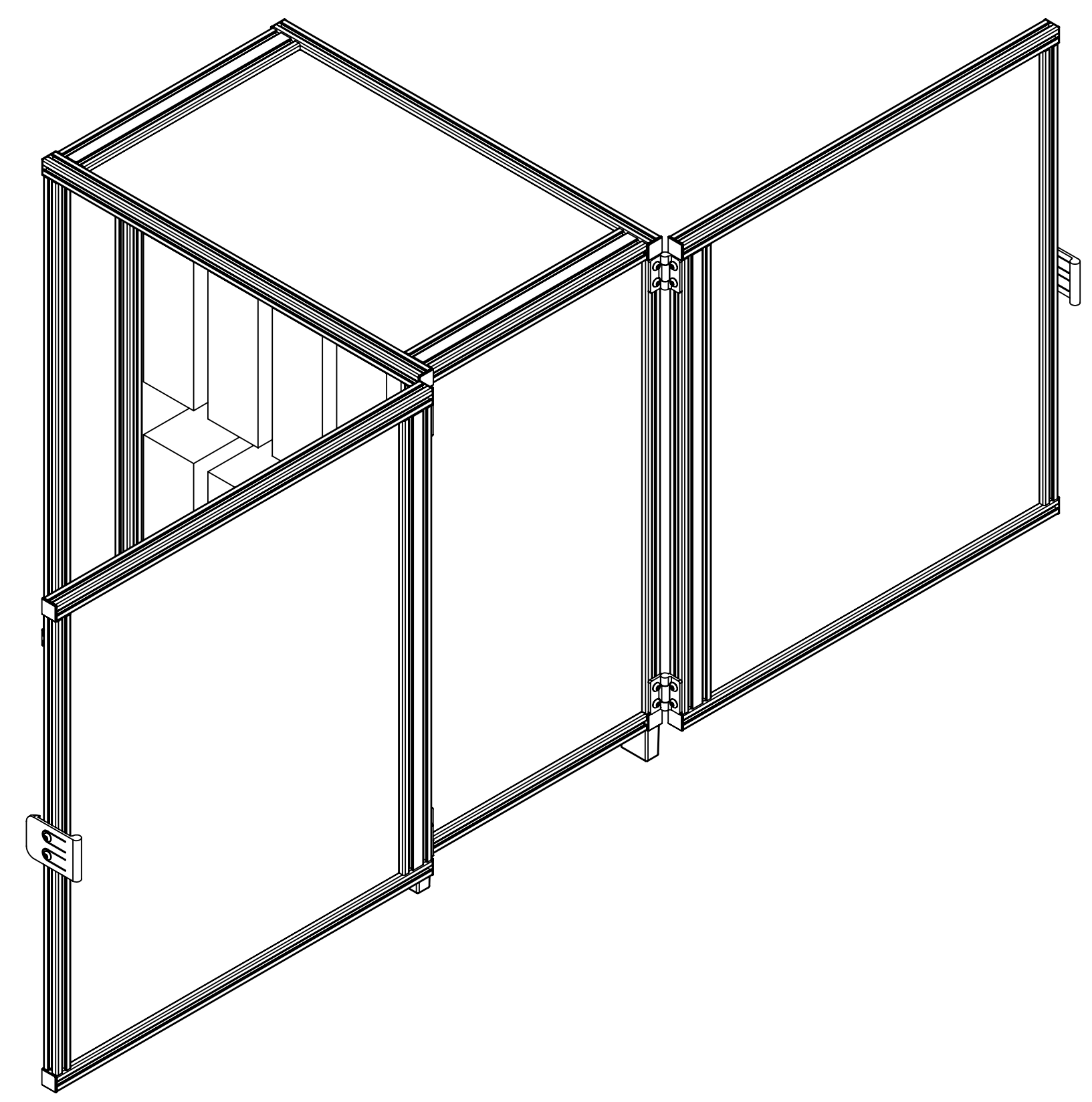
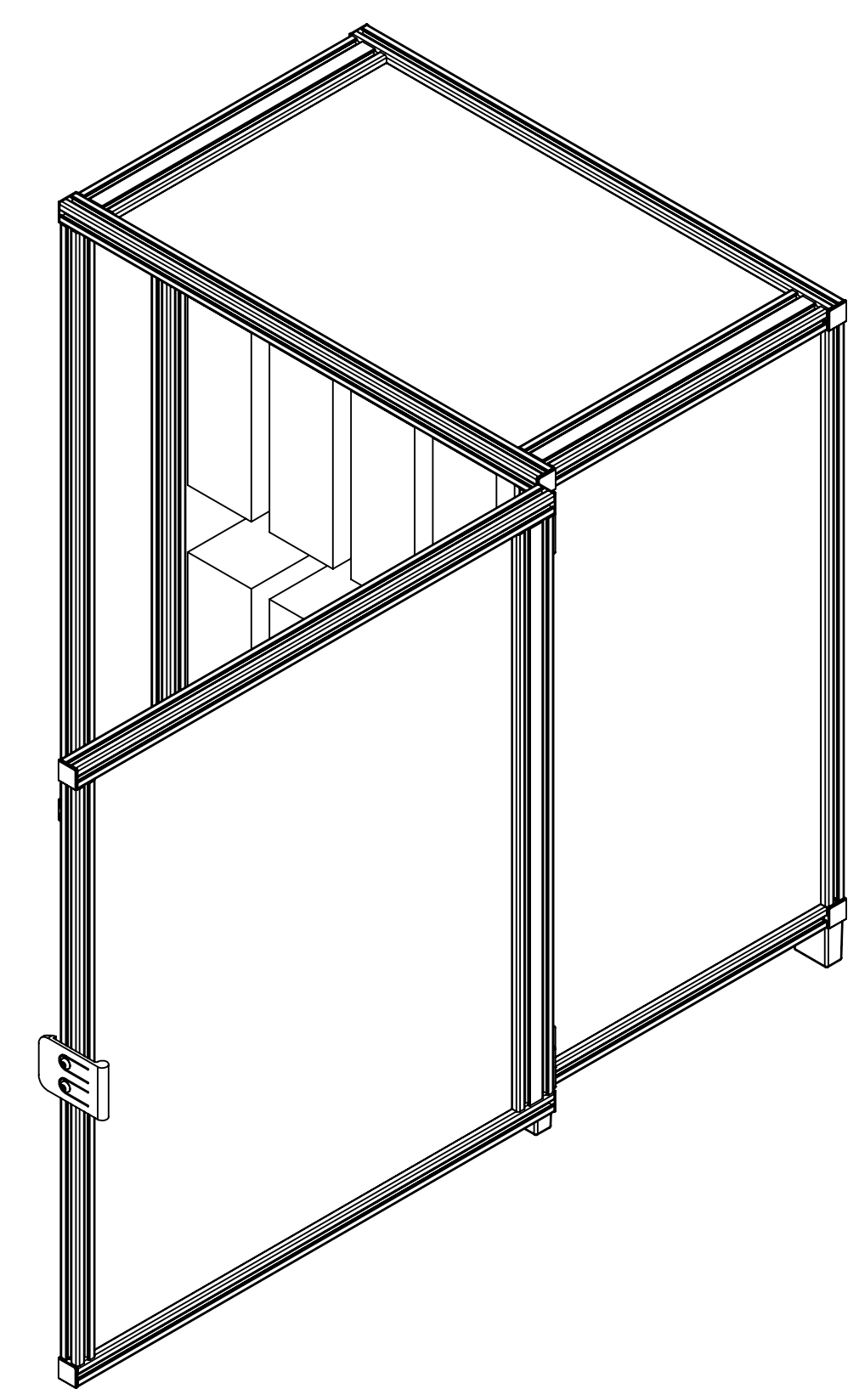
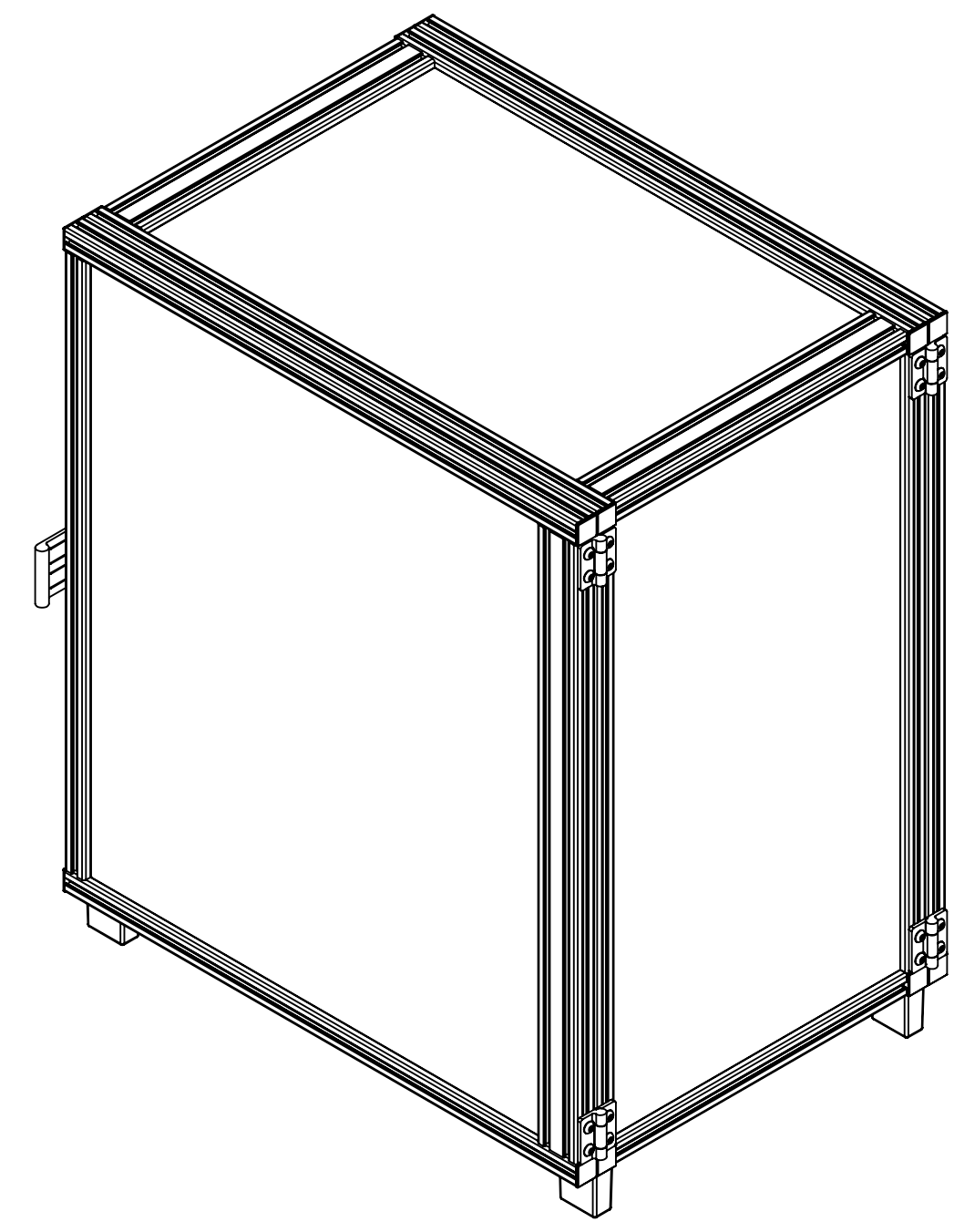
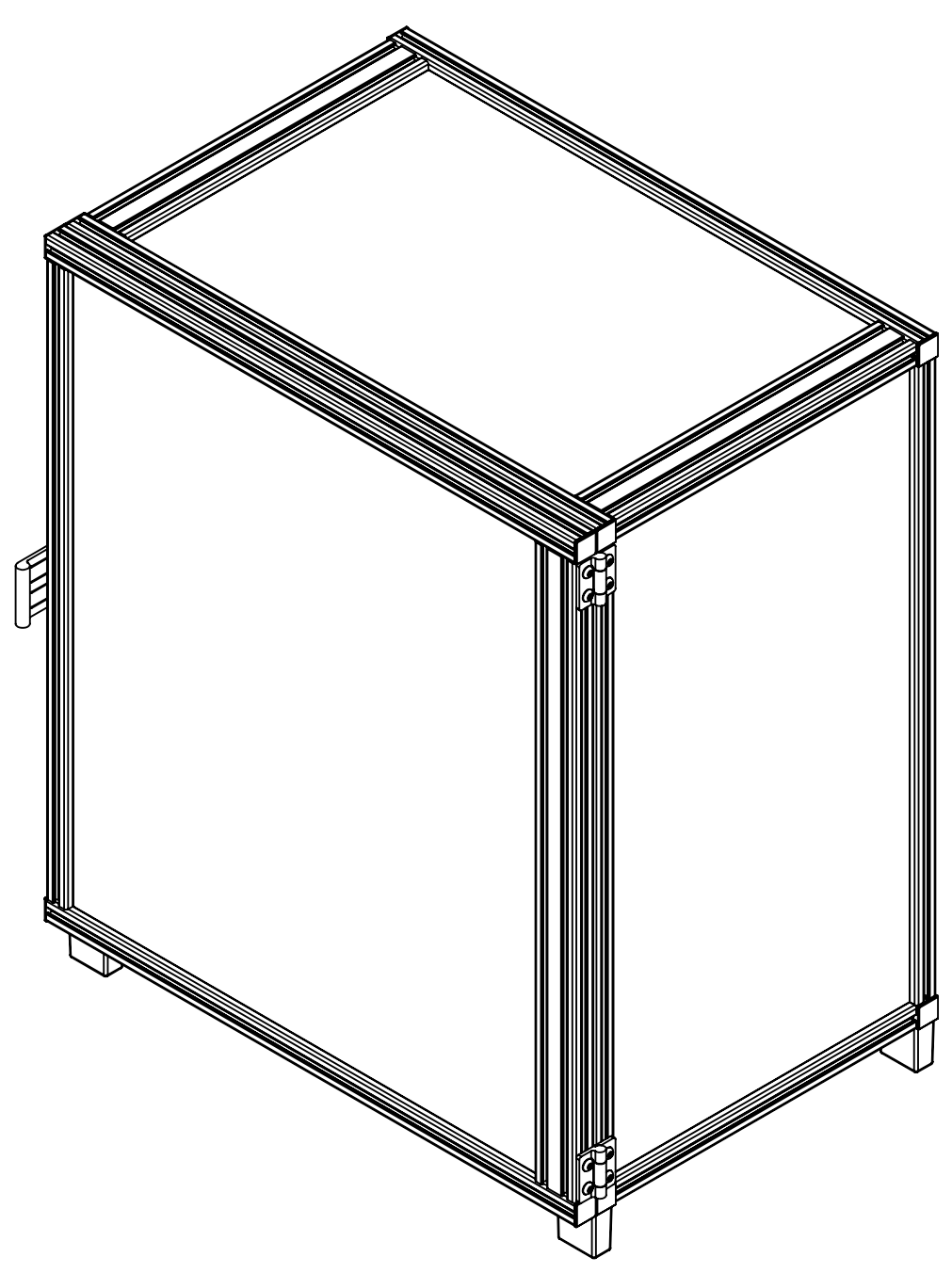


PROPRIETARY AND CONFIDENTIAL
 THE INFORMATION CONTAINED IN
 THIS DRAWING IS THE SOLE
 PROPERTY OF DEPARTED REALITY
 LLC. ANY REPRODUCTION IN PART
 OR AS A WHOLE WITHOUT THE
 WRITTEN PERMISSION OF DEPARTED
 REALITY LLC IS PROHIBITED.

NOTES

1. THESE INSTRUCTIONS DESCRIBE THE ASSEMBLY OF THE DEPARTED REALITY DIY SERVO DRIVE ENCLOSURE SERIES DR-DIY-ENCL. THE FULL PLANS ARE AVAILABLE FOR DOWNLOAD, FREE OF COST, AT WWW.DEPARTEDREALITY.COM
2. CONTACT DEPARTED REALITY WITH ANY QUESTIONS OR CONCERNS ON DISCORD AT <https://discord.gg/skn2HzpbQy>
3. SEE SEPARATE PARTS LIST.



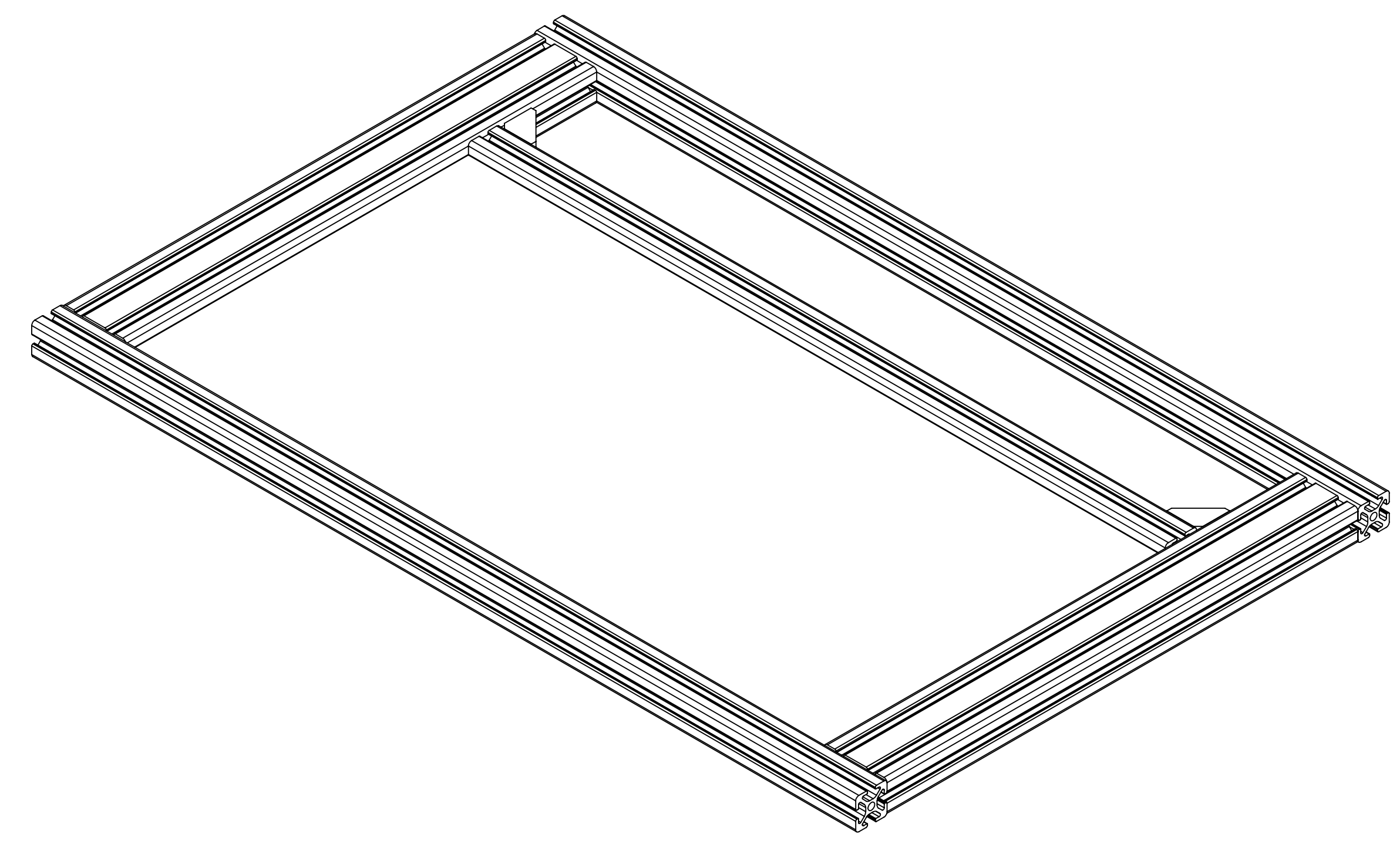
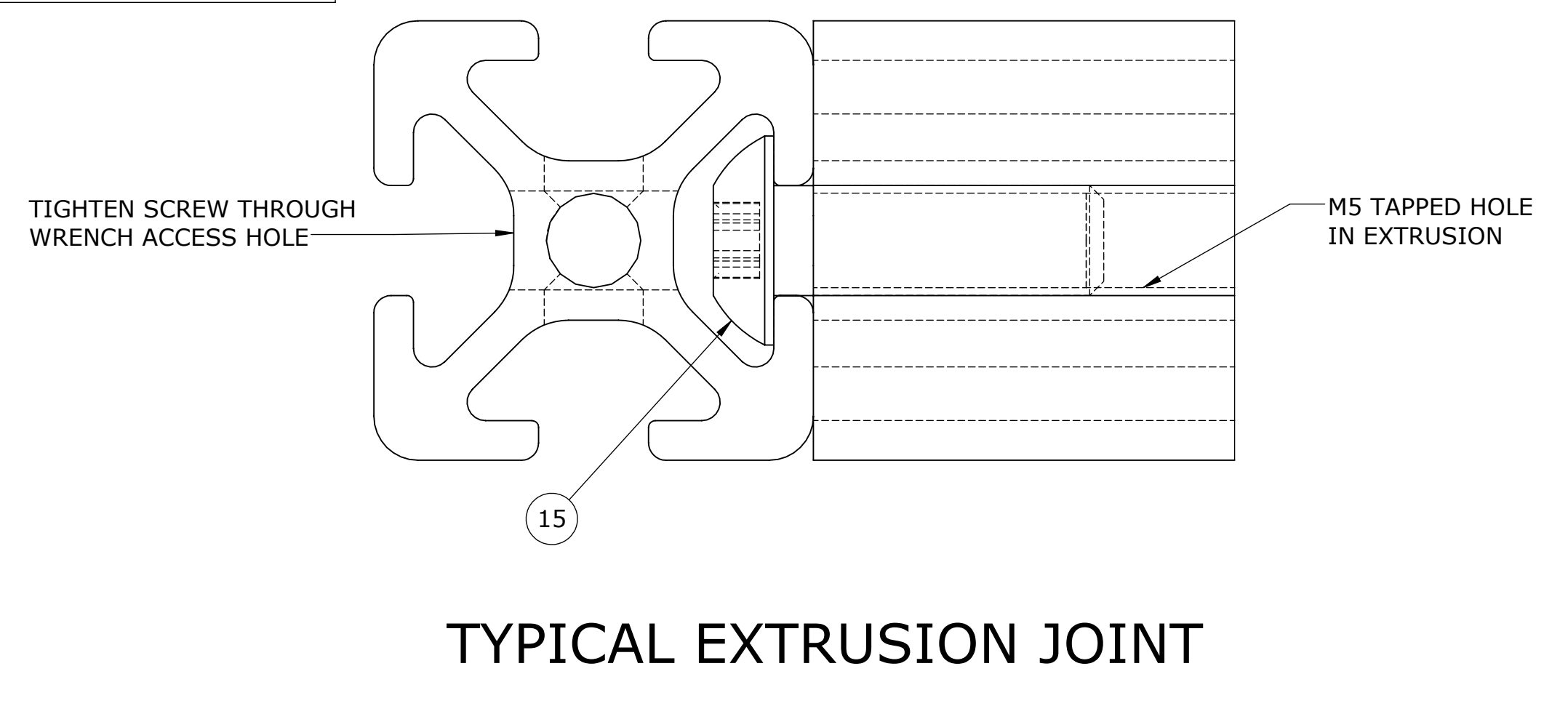
DR-DIY-ENCL-1
 SINGLE DOOR
 ENCLOSED

DR-DIY-ENCL-2
 DUAL DOOR
 ENCLOSED

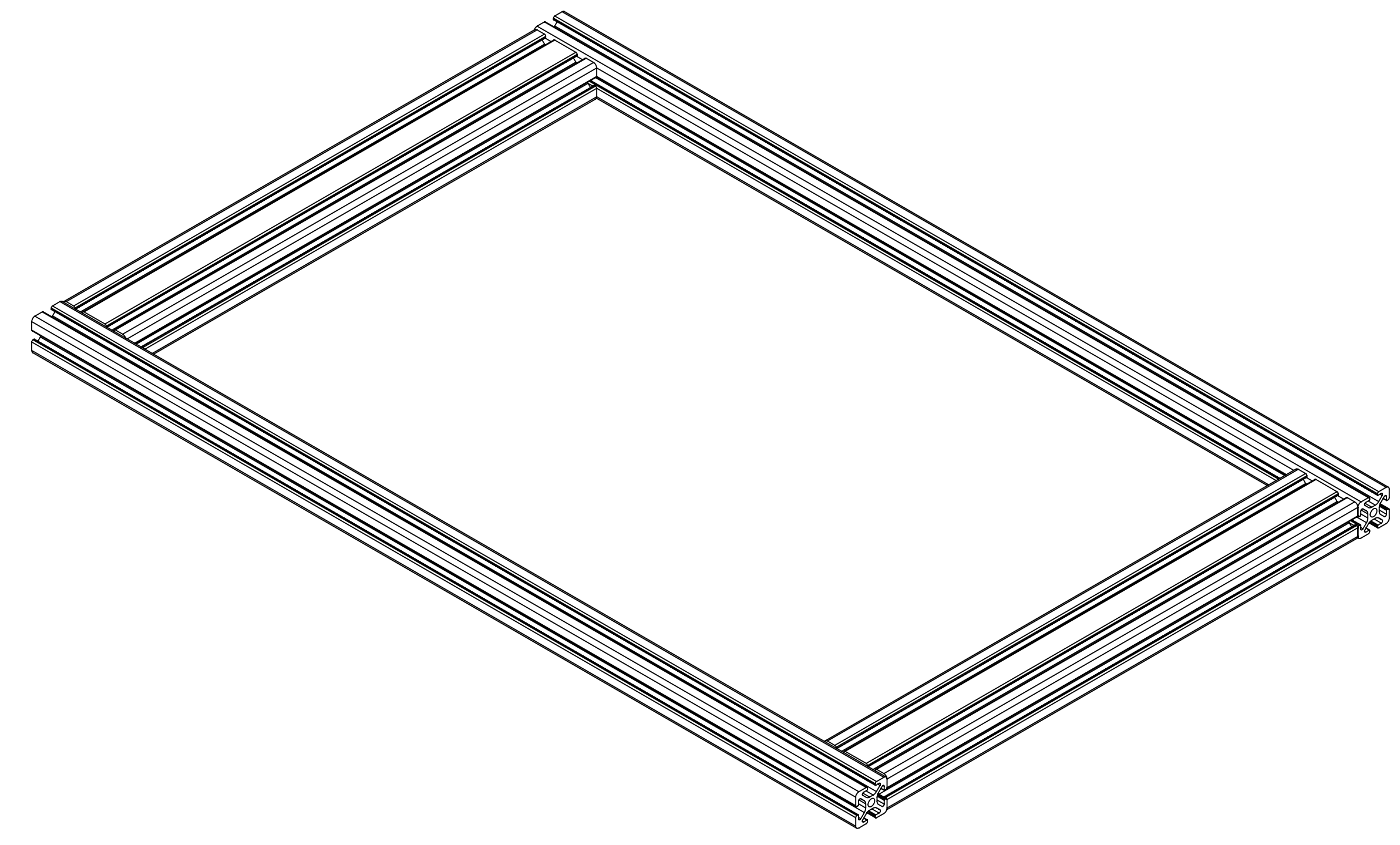
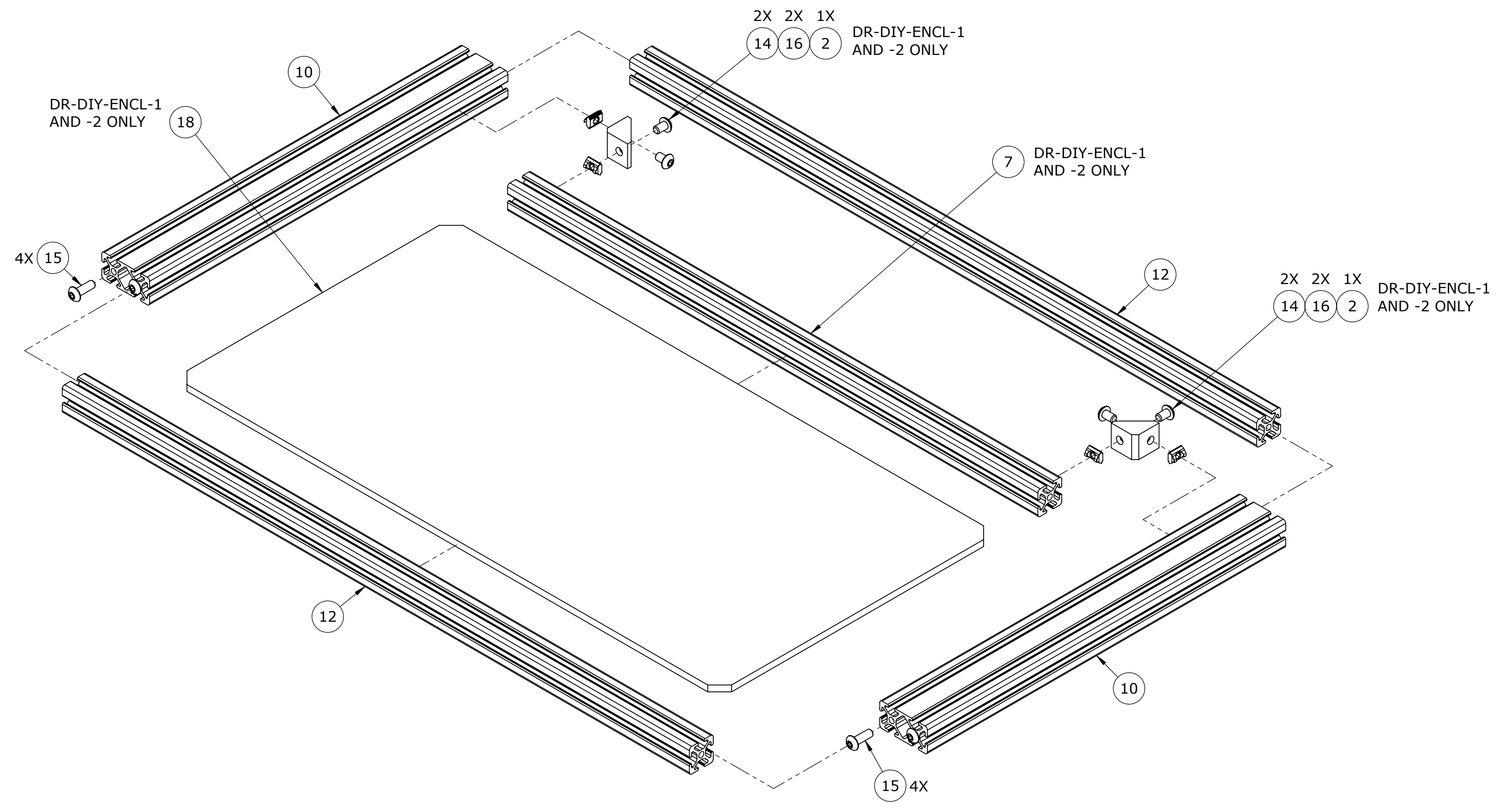
DR-DIY-ENCL-3
 OPEN

MATERIAL	N/A	APPROVALS	DATE	DEPARTED REALITY	
FINISH	N/A	DESIGNER A. SPIEGELMAN	20220416	TITLE: DR-DIY-ENCL ASSEMBLY INSTRUCTIONS	
TOLERANCE UNLESS NOTED		APPROVER A. SPIEGELMAN		REV -	
LINEAR ±	N/A	RELEASE A. SPIEGELMAN		SIZE DWG. NO. D 27185	
ANGULAR ±	N/A			SCALE 1:5	WEIGHT (KG) 0.0
RADII	N/A			SHEET 1 OF 10	

PROPRIETARY AND CONFIDENTIAL
 THE INFORMATION CONTAINED IN
 THIS DRAWING IS THE SOLE
 PROPERTY OF DEPARTED REALTY
 LLC. ANY REPRODUCTION IN PART
 OR AS A WHOLE WITHOUT THE
 WRITTEN PERMISSION OF DEPARTED
 REALTY LLC IS PROHIBITED.



DR-DIY-ENCL-1 AND
DR-DIY-ENCL-2



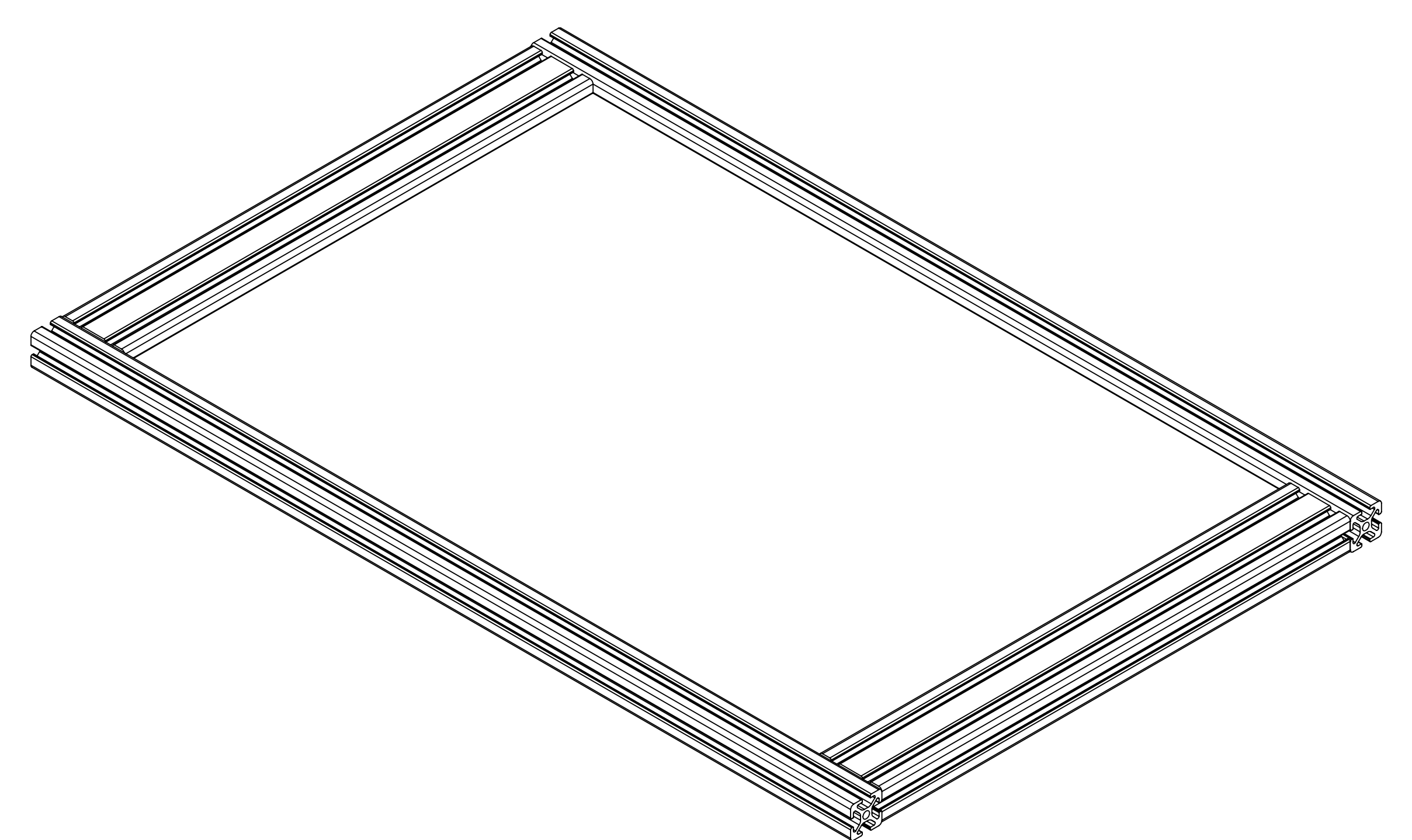
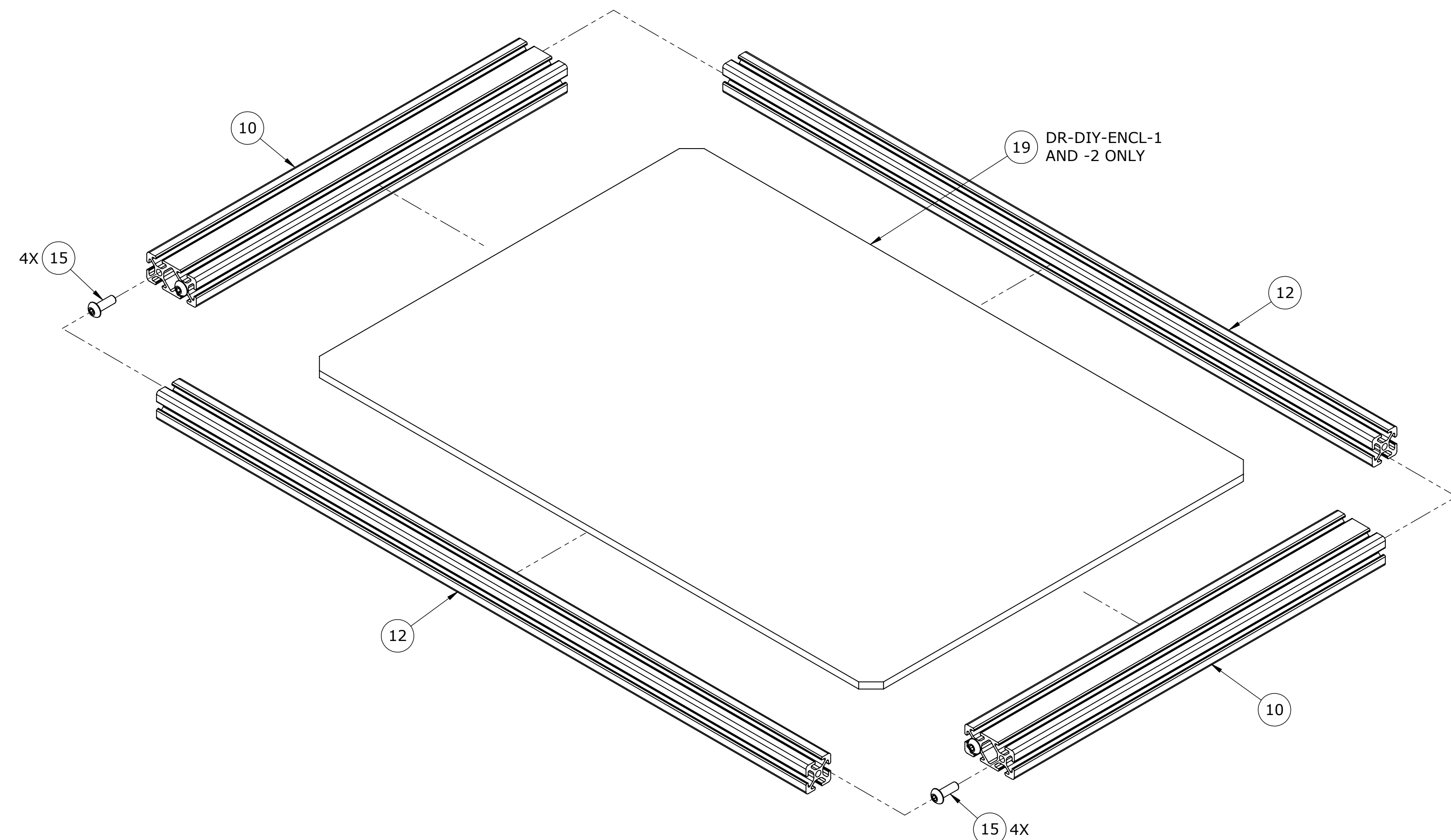
DR-DIY-ENCL-3

STEP 1: ASSEMBLE BASE FRAME

SIZE	DWG. NO.	REV.
D	27185	-
SCALE	WEIGHT (KG)	SHEET
1:2	0.0	2 OF 10

10
9
8
7
6
5
4
3
2
1

PROPRIETARY AND CONFIDENTIAL
THE INFORMATION CONTAINED IN
THIS DRAWING IS THE SOLE
PROPERTY OF DEPARTED REALTY
LLC. ANY REPRODUCTION IN PART
OR AS A WHOLE WITHOUT THE
WRITTEN PERMISSION OF DEPARTED
REALTY LLC IS PROHIBITED.



STEP 2: ASSEMBLE TOP FRAME

SIZE	DWG. NO.	REV.
D	27185	-
SCALE	WEIGHT (KG)	SHEET
1:2	0.0	3 OF 10

PROPRIETARY AND CONFIDENTIAL
 THE INFORMATION CONTAINED IN
 THIS DRAWING IS THE SOLE
 PROPERTY OF DEPARTED REALITY
 LLC. ANY REPRODUCTION IN PART
 OR AS A WHOLE WITHOUT THE
 WRITTEN PERMISSION OF DEPARTED
 REALITY LLC IS PROHIBITED.

DR-DIY-ENCL-1 AND
 DR-DIY-ENCL-2

20

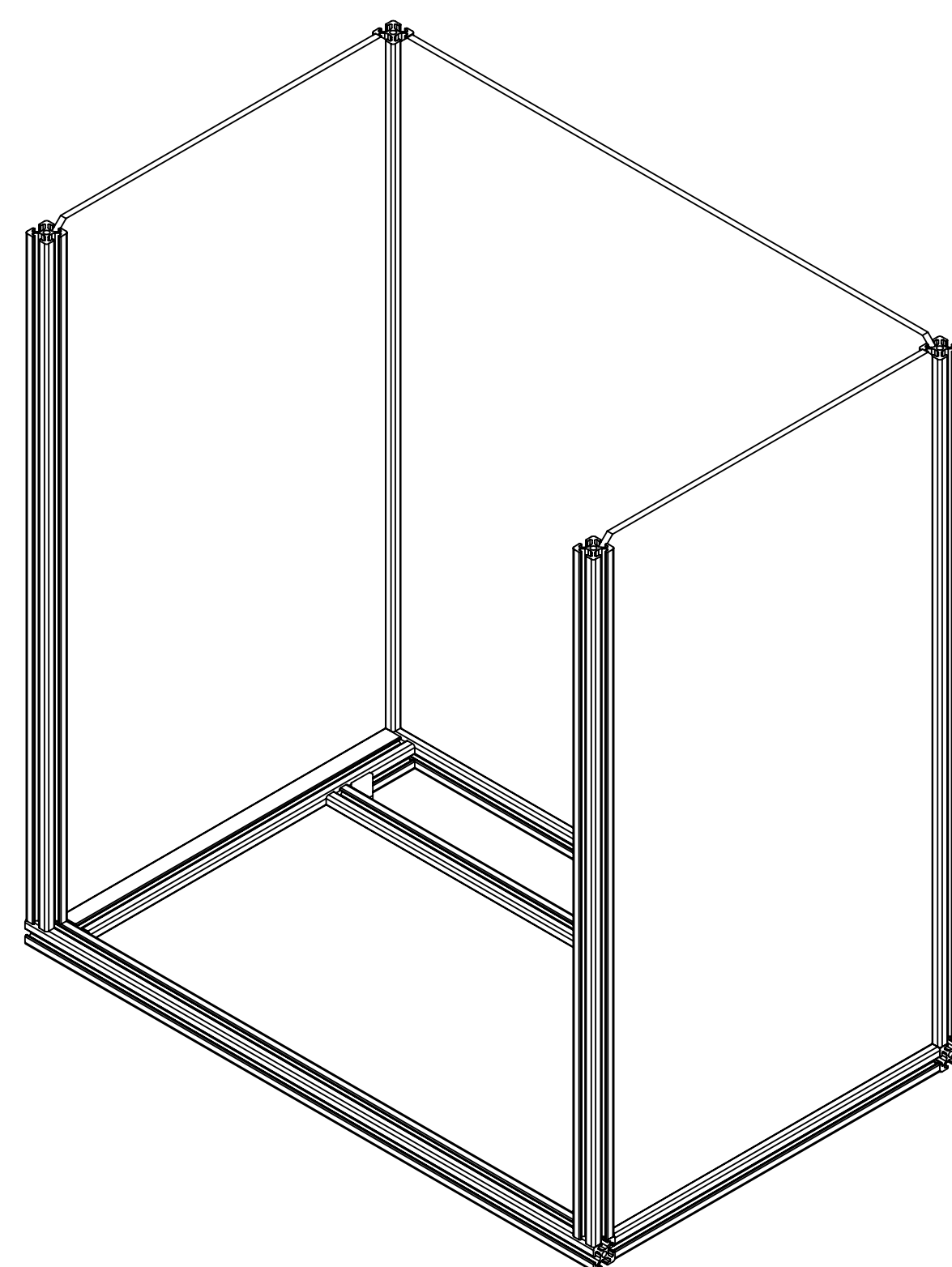
22 DR-DIY-ENCL-1 ONLY

20 DR-DIY-ENCL-1 AND
 DR-DIY-ENCL-2

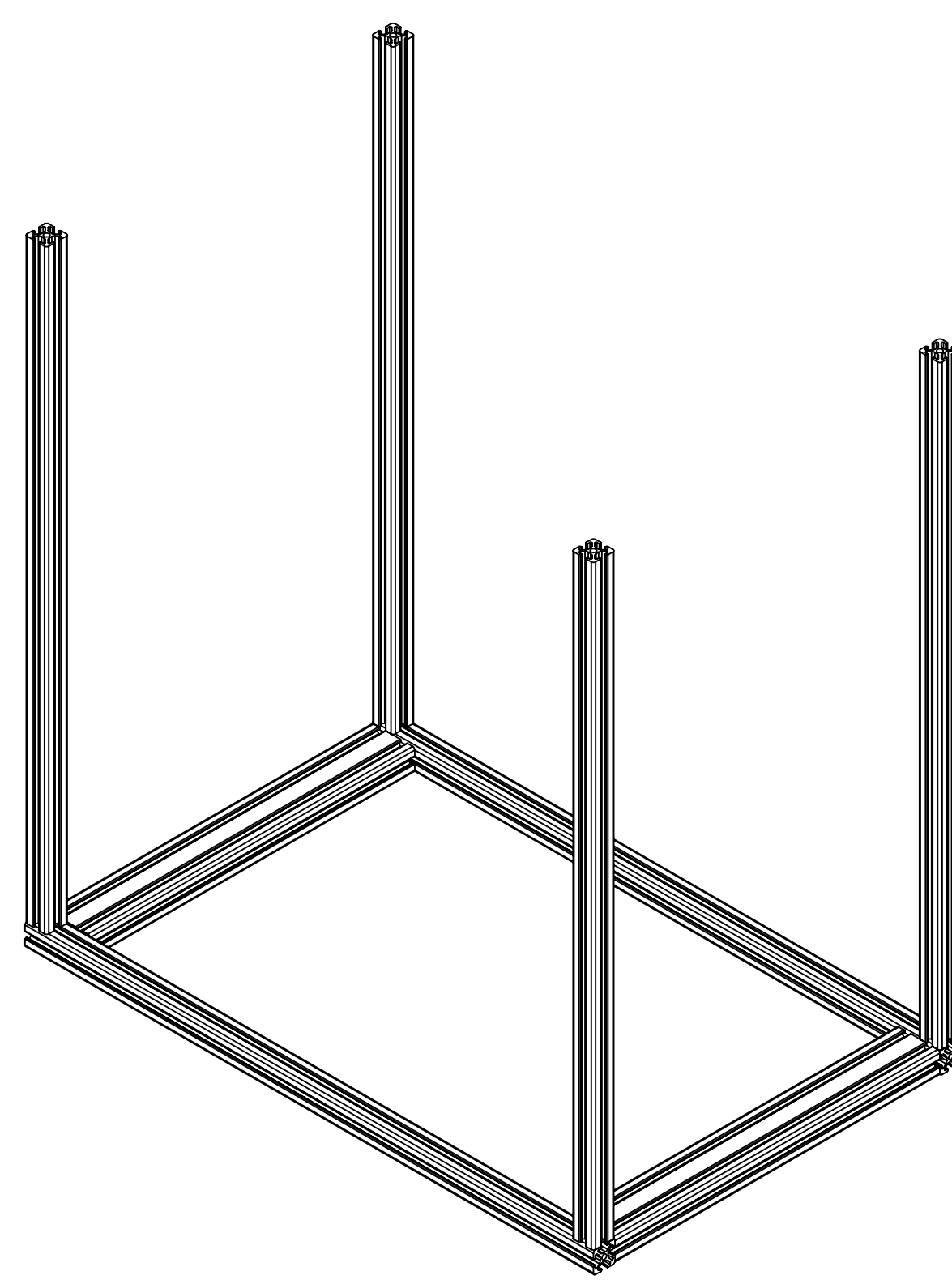
9 4X

15 4X

BOTTOM FRAME FROM STEP 1



DR-DIY-ENCL-1

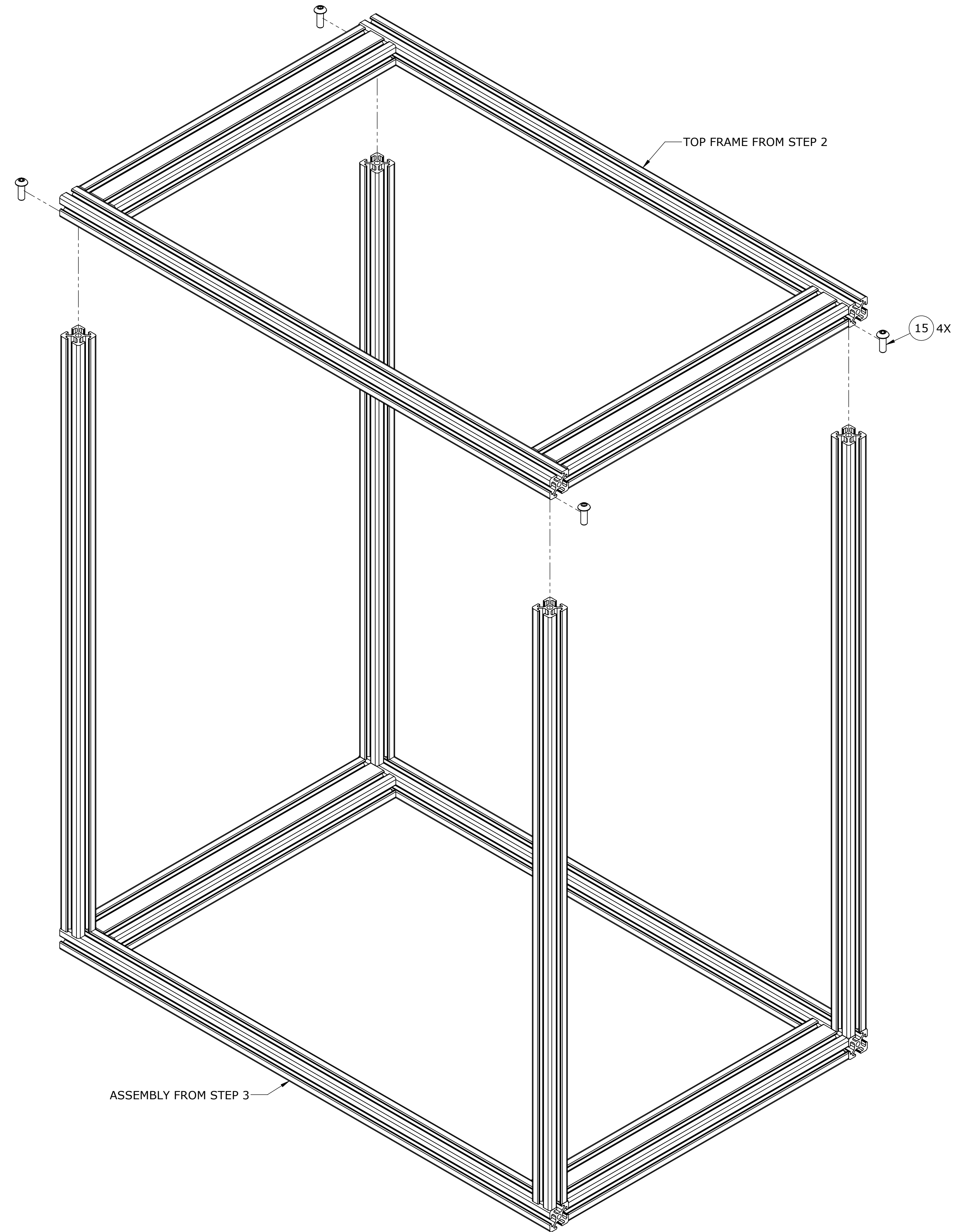


DR-DIY-ENCL-3

STEP 3: ATTACH UPRIGHTS TO BOTTOM FRAME

SIZE	DWG. NO.	REV.
D	27185	-
SCALE	WEIGHT (KG)	SHEET
1:3	0.0	4 OF 10

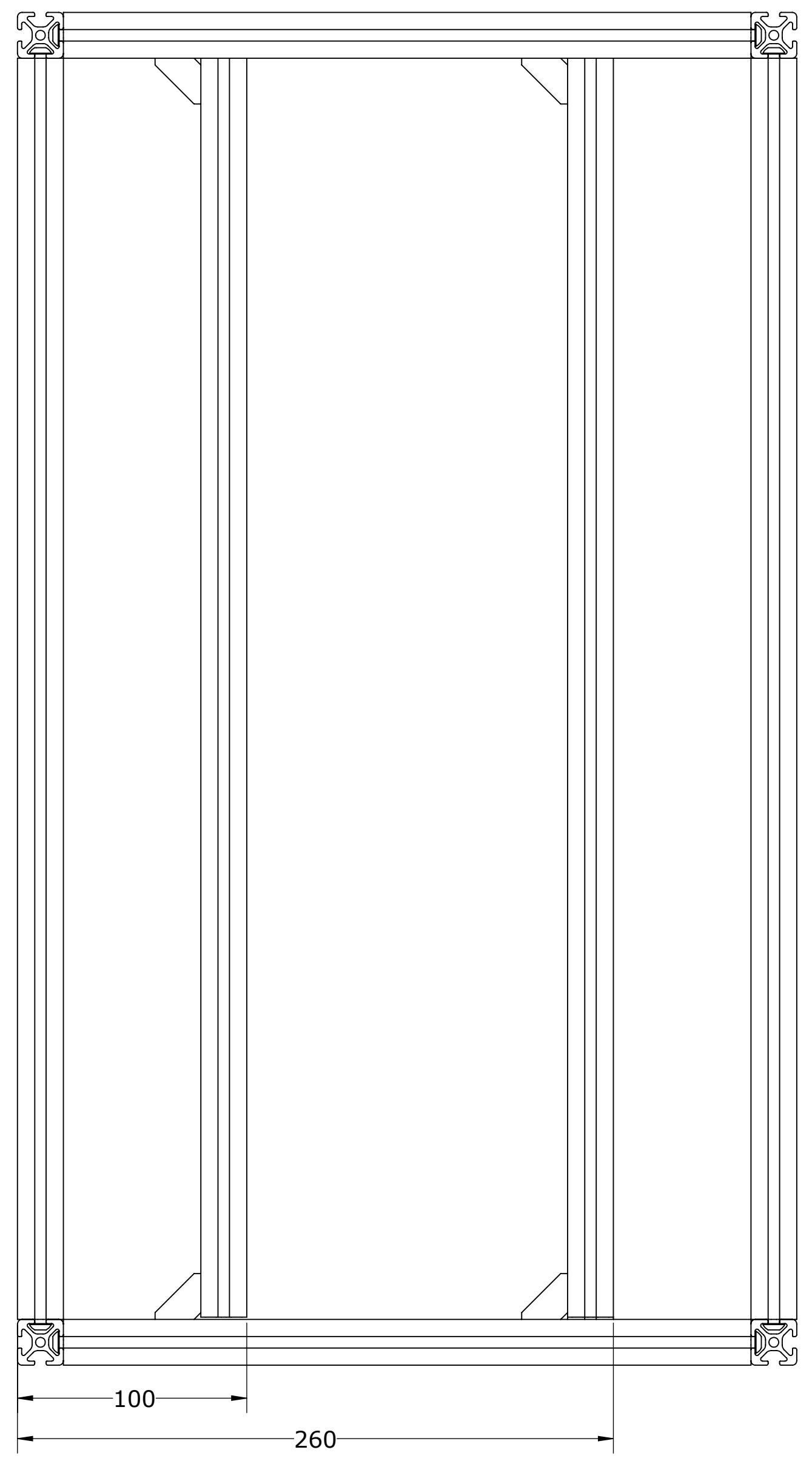
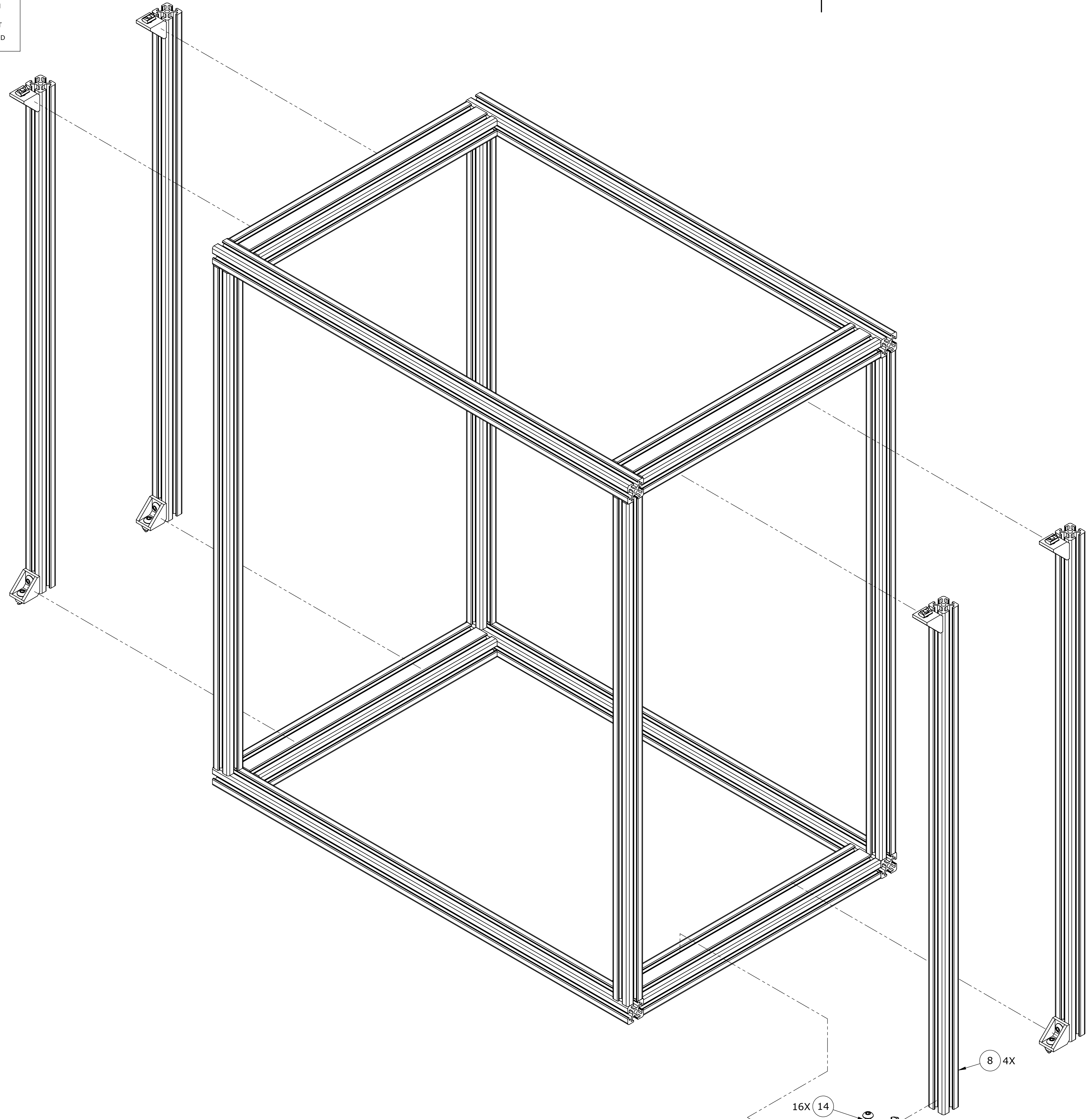
PROPRIETARY AND CONFIDENTIAL
 THE INFORMATION CONTAINED IN
 THIS DRAWING IS THE SOLE
 PROPERTY OF DEPARTED REALTY
 LLC. ANY REPRODUCTION IN PART
 OR AS A WHOLE WITHOUT THE
 WRITTEN PERMISSION OF DEPARTED
 REALTY LLC IS PROHIBITED.



STEP 4: ATTACH TOP FRAME TO ASSEMBLY

SIZE	DWG. NO.	REV.
D	27185	-
SCALE	WEIGHT (KG)	SHEET
1:2	0.0	5 OF 10

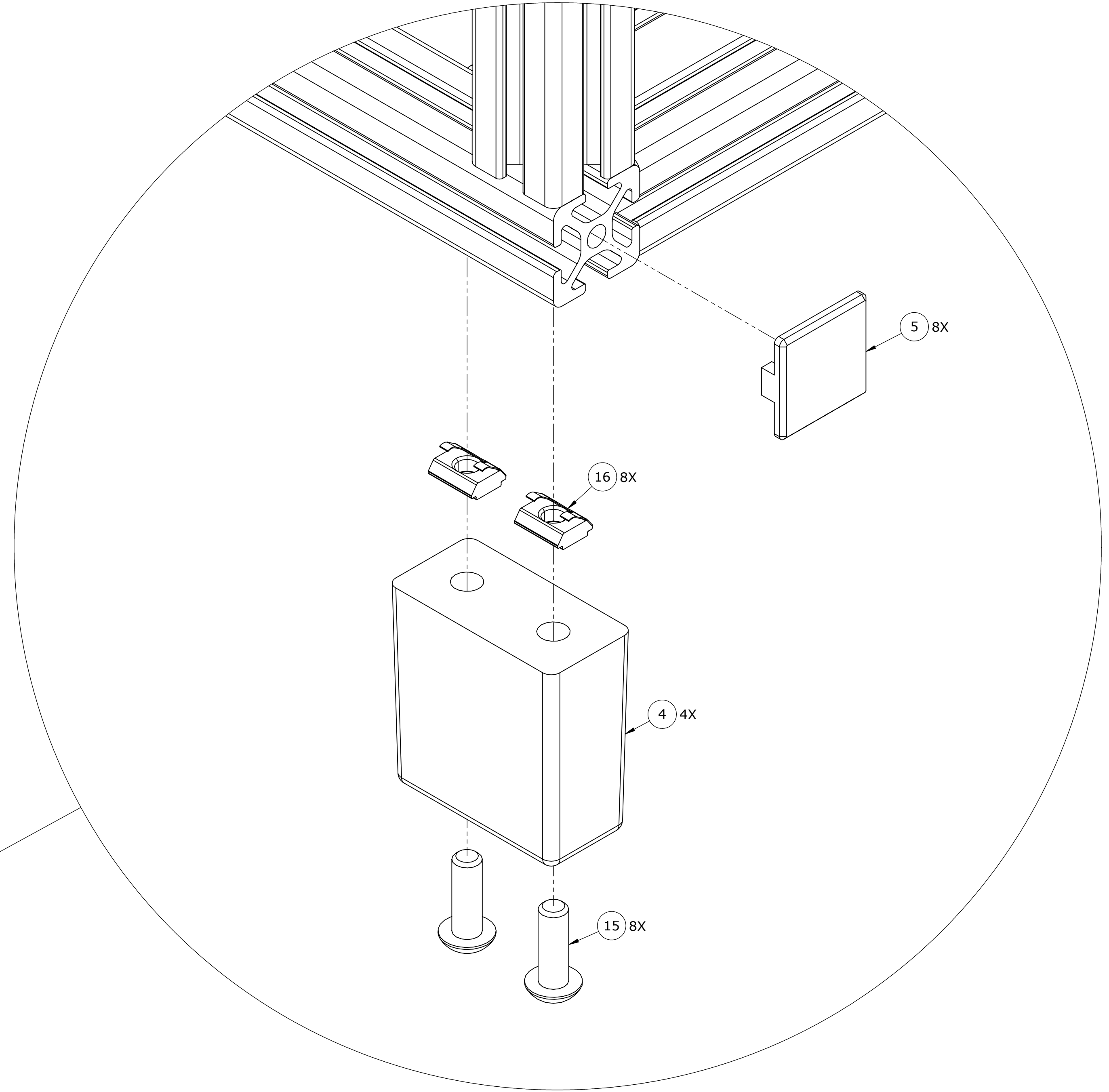
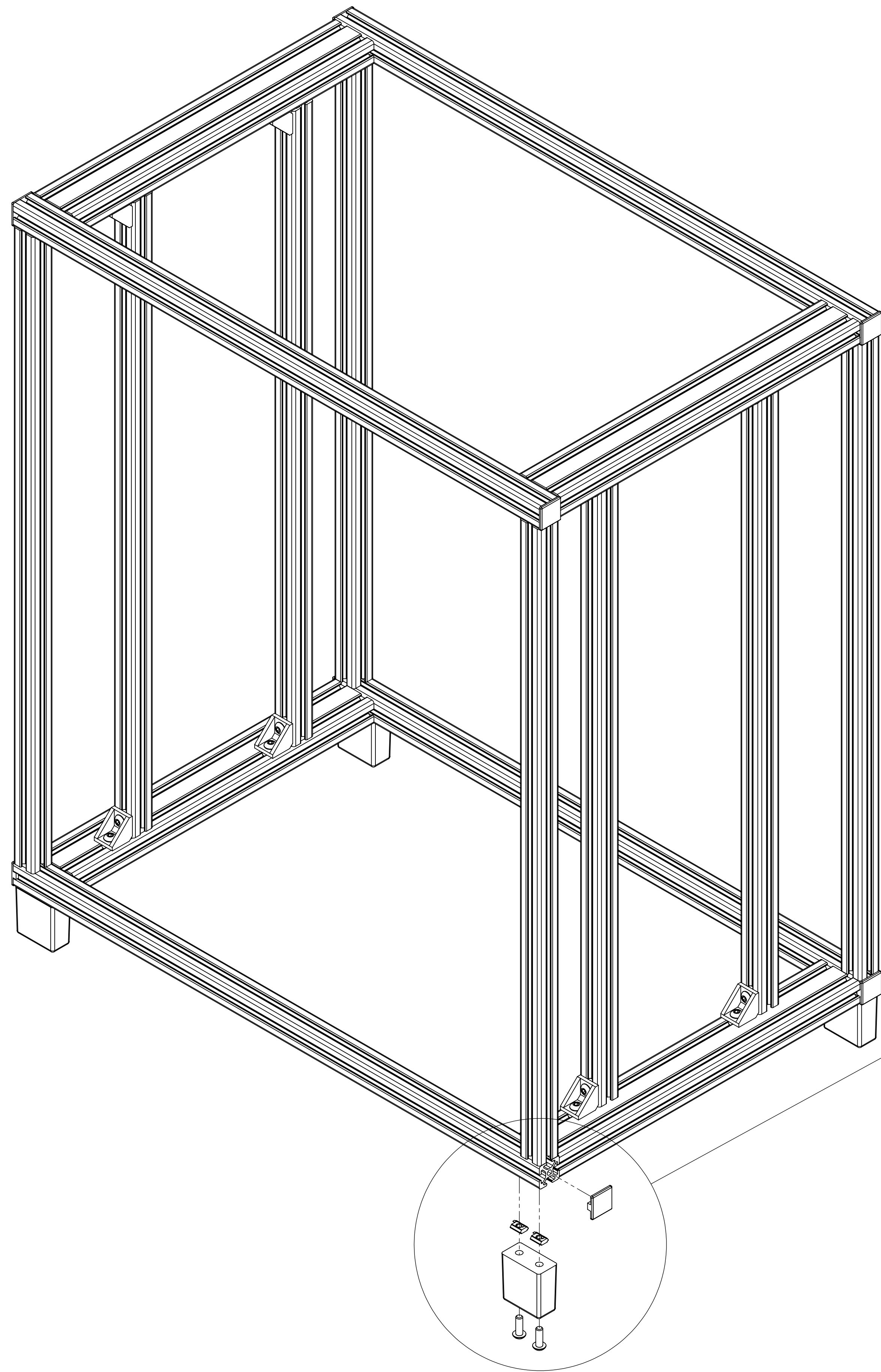
PROPRIETARY AND CONFIDENTIAL
 THE INFORMATION CONTAINED IN
 THIS DRAWING IS THE SOLE
 PROPERTY OF DEPARTED REALTY
 LLC. ANY REPRODUCTION IN PART
 OR AS A WHOLE WITHOUT THE
 WRITTEN PERMISSION OF DEPARTED
 REALTY LLC IS PROHIBITED.



STEP 5: INSTALL RACK POSTS

SIZE	DWG. NO.	REV.
D	27185	-
SCALE	WEIGHT (KG)	SHEET
1:2	0.0	6 OF 10

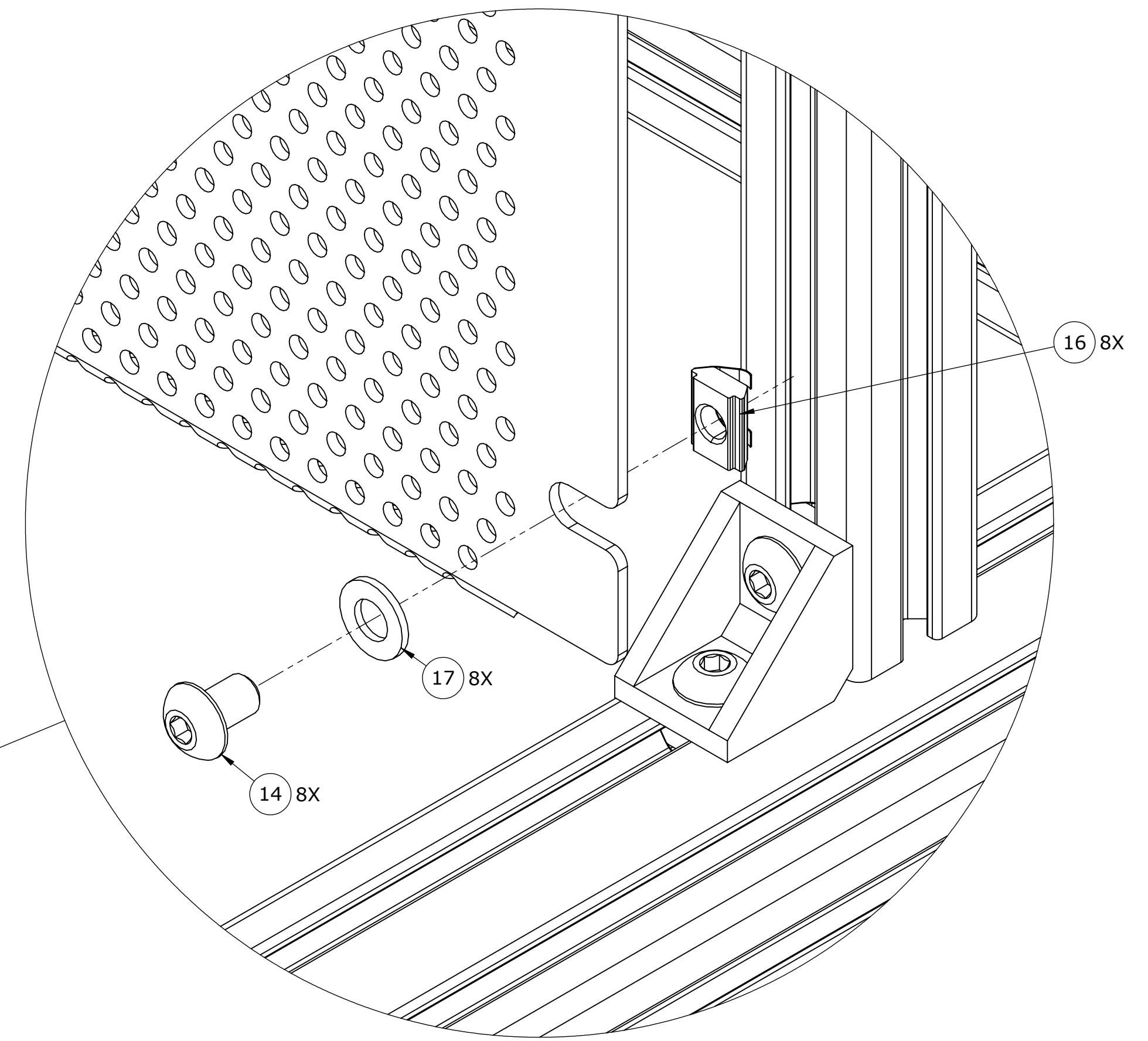
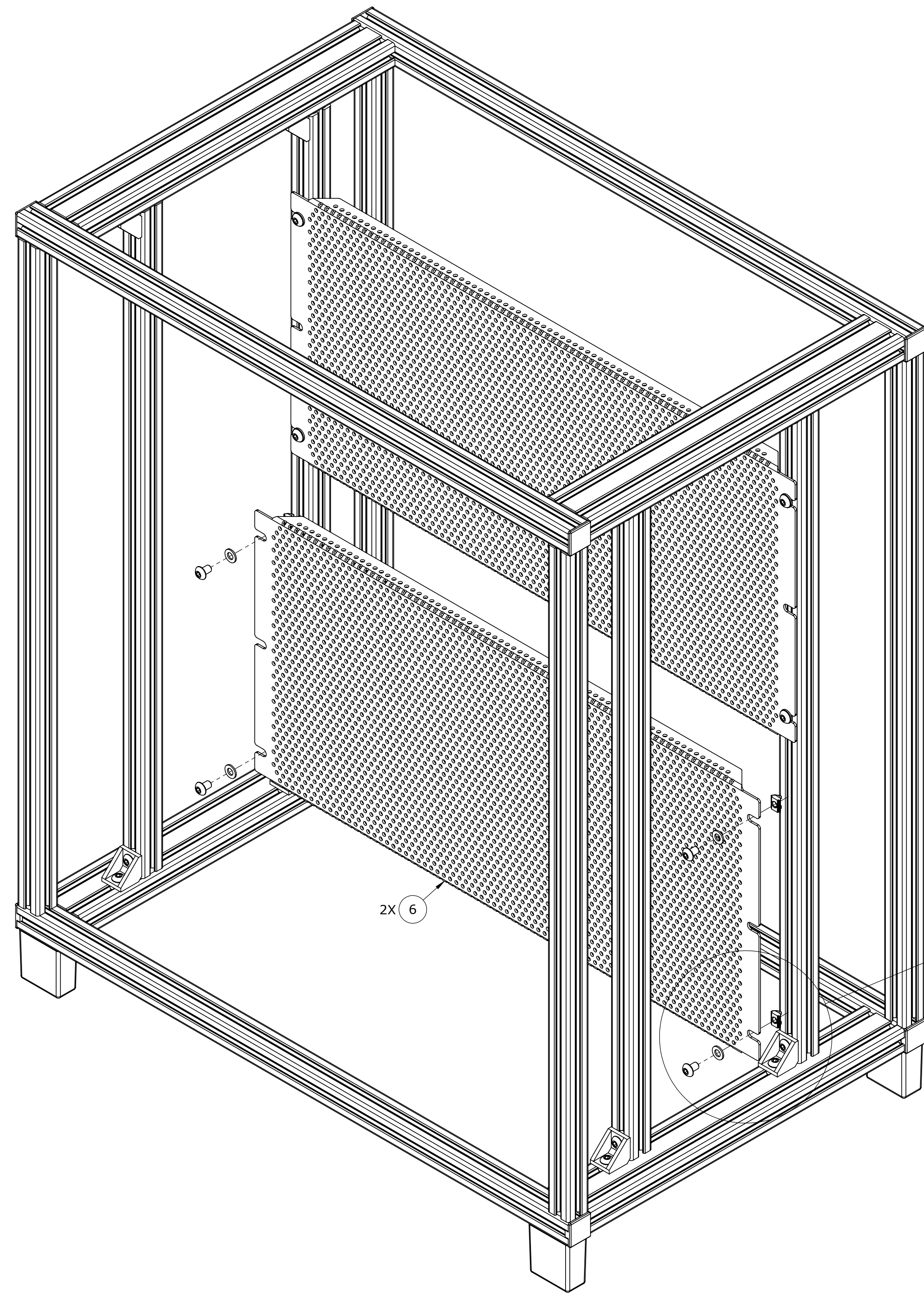
PROPRIETARY AND CONFIDENTIAL
THE INFORMATION CONTAINED IN
THIS DRAWING IS THE SOLE
PROPERTY OF DEPARTED REALTY
LLC. ANY REPRODUCTION IN PART
OR AS A WHOLE WITHOUT THE
WRITTEN PERMISSION OF DEPARTED
REALTY LLC IS PROHIBITED.



STEP 6: ATTACH FEET AND END CAPS

SIZE	DWG. NO.	REV.
D	27185	-
SCALE	WEIGHT (KG)	SHEET
1:2	0.0	7 OF 10

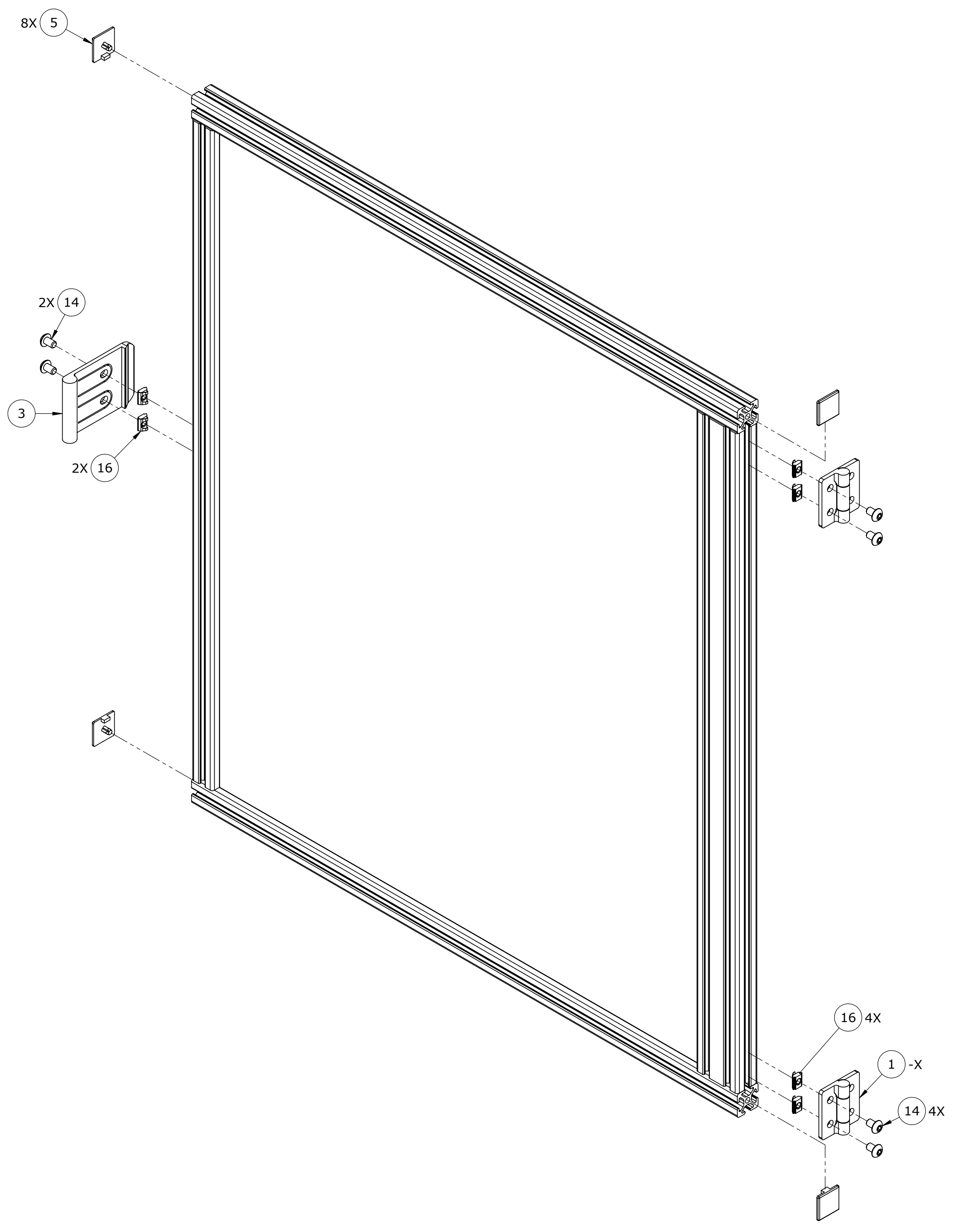
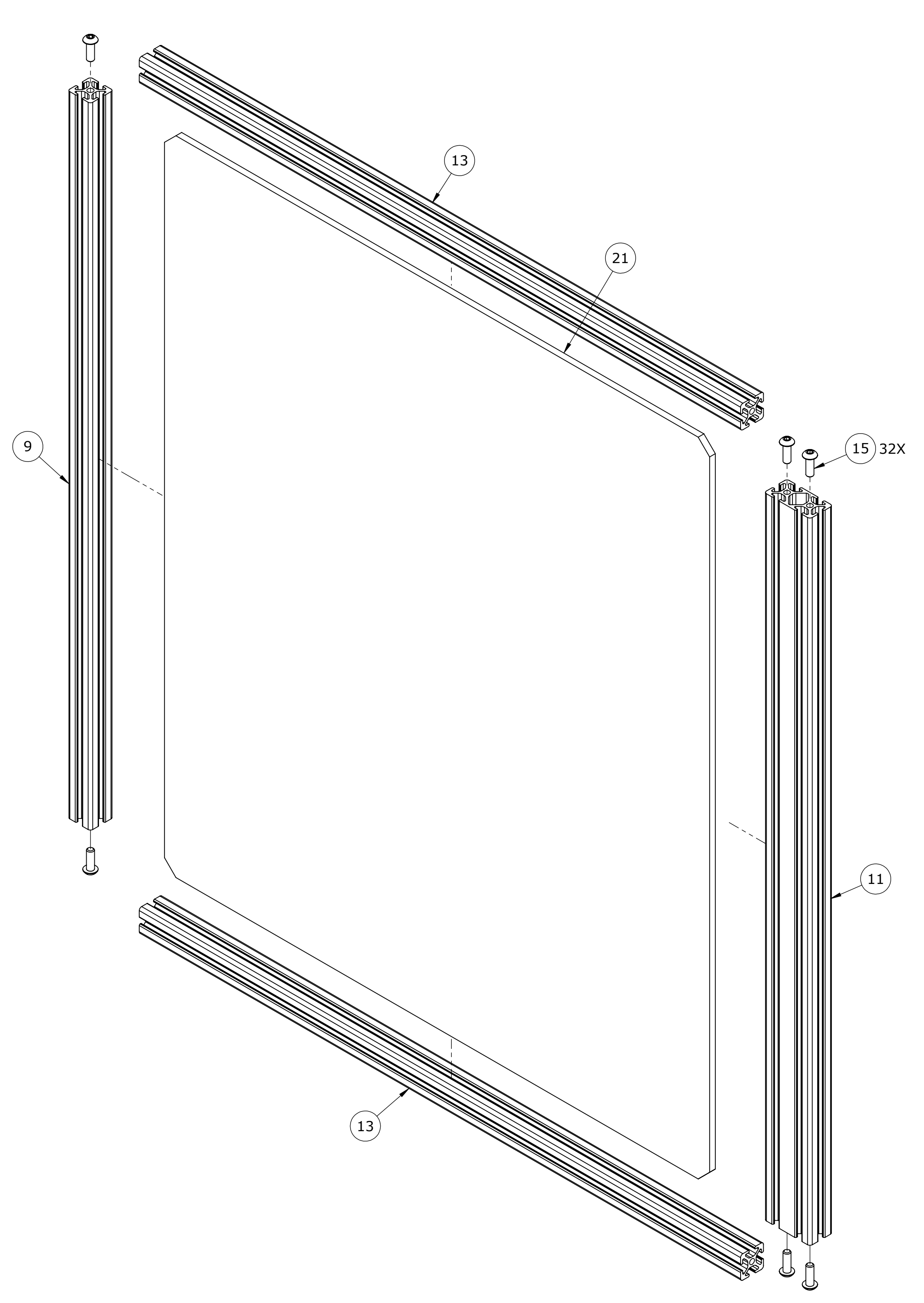
PROPRIETARY AND CONFIDENTIAL
THE INFORMATION CONTAINED IN
THIS DRAWING IS THE SOLE
PROPERTY OF DEPARTED REALITY
LLC. ANY REPRODUCTION IN PART
OR AS A WHOLE WITHOUT THE
WRITTEN PERMISSION OF DEPARTED
REALITY LLC IS PROHIBITED.



STEP 7: ATTACH SERVO MOUNT PANELS

SIZE	DWG. NO.	REV.
D	27185	-
SCALE	WEIGHT (KG)	SHEET
1:2	0.0	8 OF 10

PROPRIETARY AND CONFIDENTIAL
 THE INFORMATION CONTAINED IN
 THIS DRAWING IS THE SOLE
 PROPERTY OF DEPARTED REALTY
 LLC. ANY REPRODUCTION IN PART
 OR AS A WHOLE WITHOUT THE
 WRITTEN PERMISSION OF DEPARTED
 REALTY LLC IS PROHIBITED.

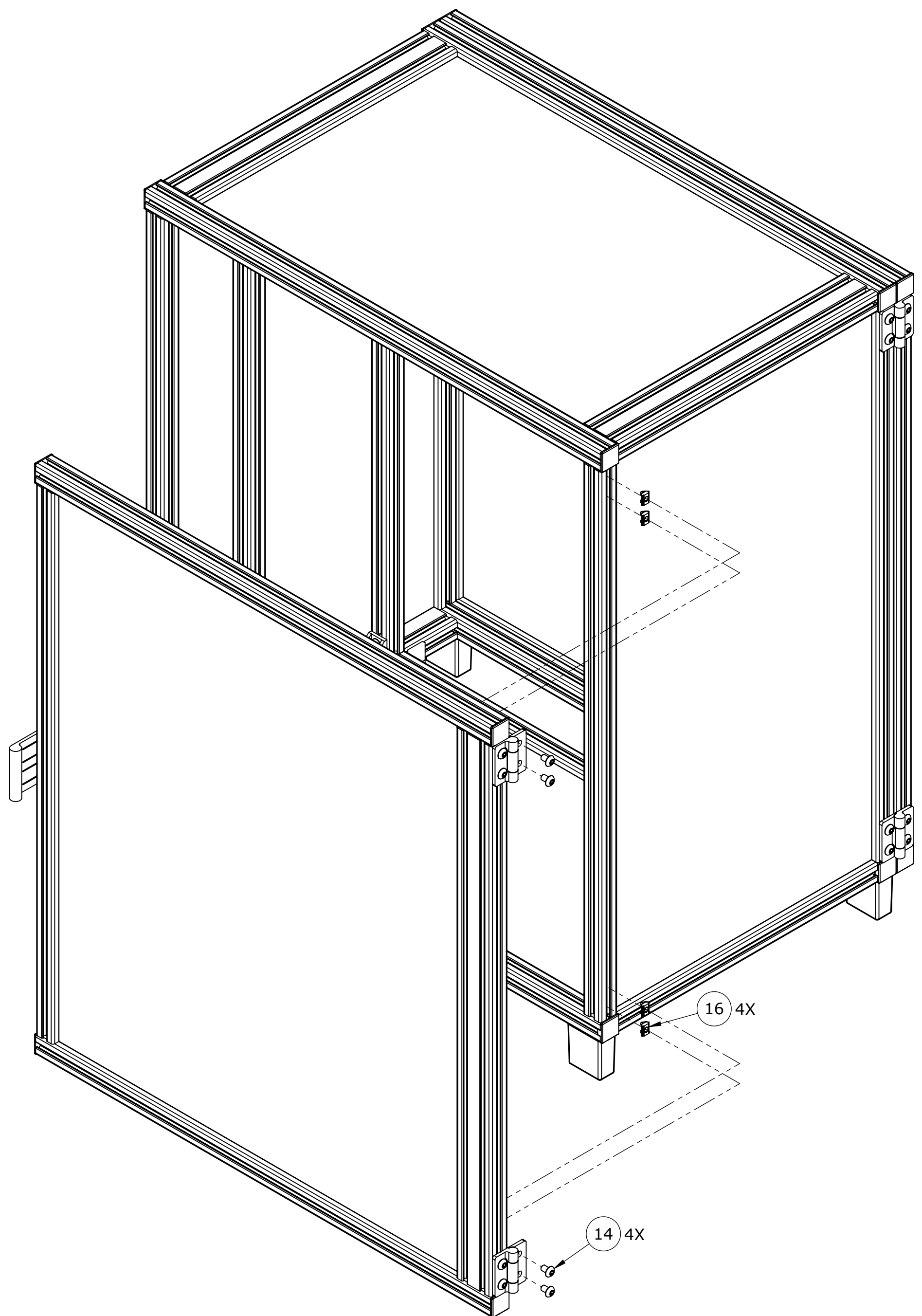


REPEAT STEP FOR DR-DIY-ENCL-2

STEP 8: (DR-DIY-ENCL-1 and -2) ASSEMBLE DOOR(S)

SIZE	DWG. NO.	REV.
D	27185	-
SCALE	WEIGHT (KG)	SHEET
1:2	0.0	9 OF 10

PROPRIETARY AND CONFIDENTIAL
 THE INFORMATION CONTAINED IN
 THIS DRAWING IS THE SOLE
 PROPERTY OF DEPARTED REALTY
 LLC. ANY REPRODUCTION IN PART
 OR AS A WHOLE WITHOUT THE
 WRITTEN PERMISSION OF DEPARTED
 REALTY LLC IS PROHIBITED.



REPEAT STEP FOR DR-DIY-ENCL-2

STEP 9: (DR-DIY-ENCL-1 and -2) ATTACH DOOR(S)

SIZE	DWG. NO.	REV.
D	27185	-
SCALE	WEIGHT (KG)	SHEET
1:3	0.0	10 OF 10