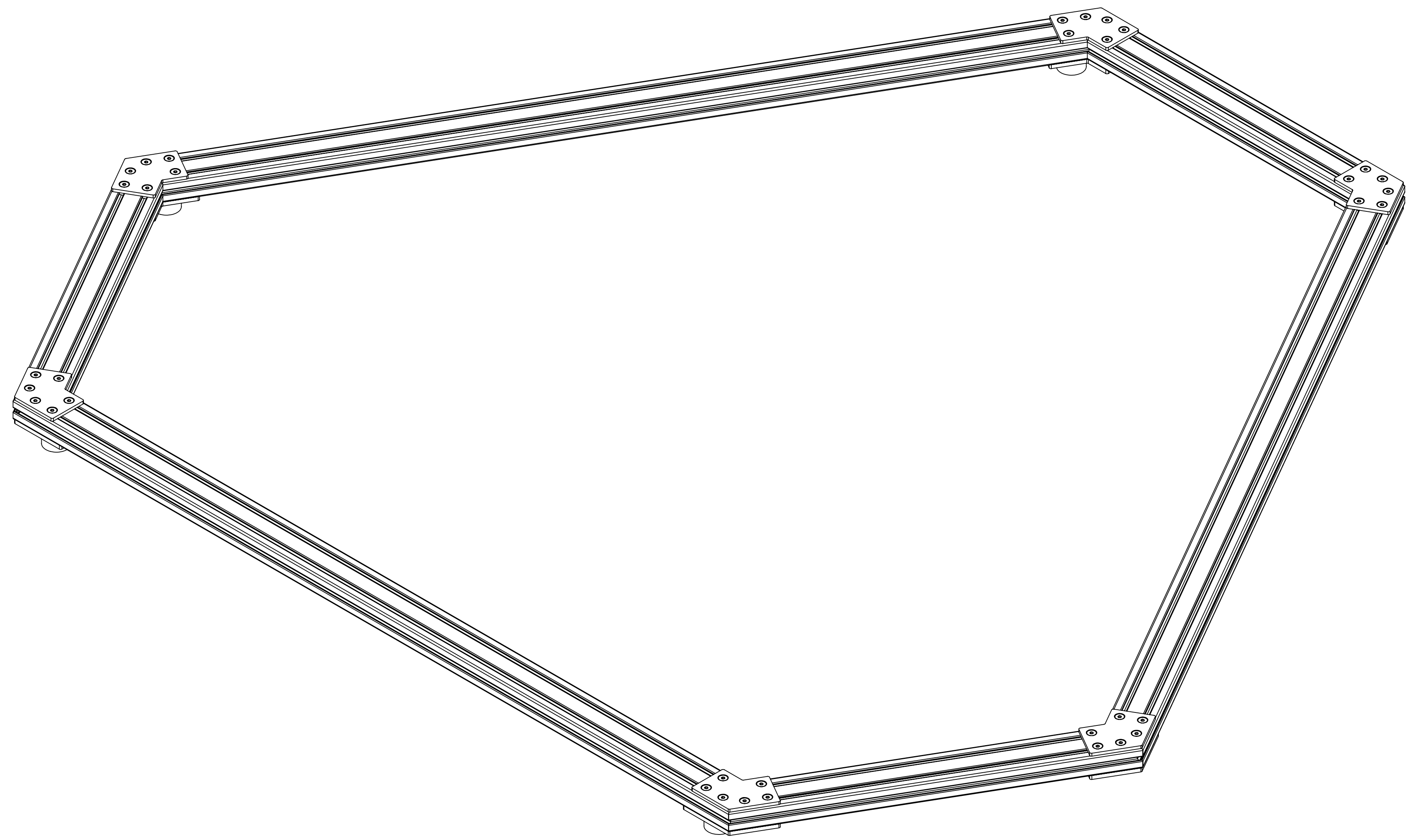

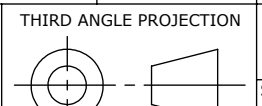


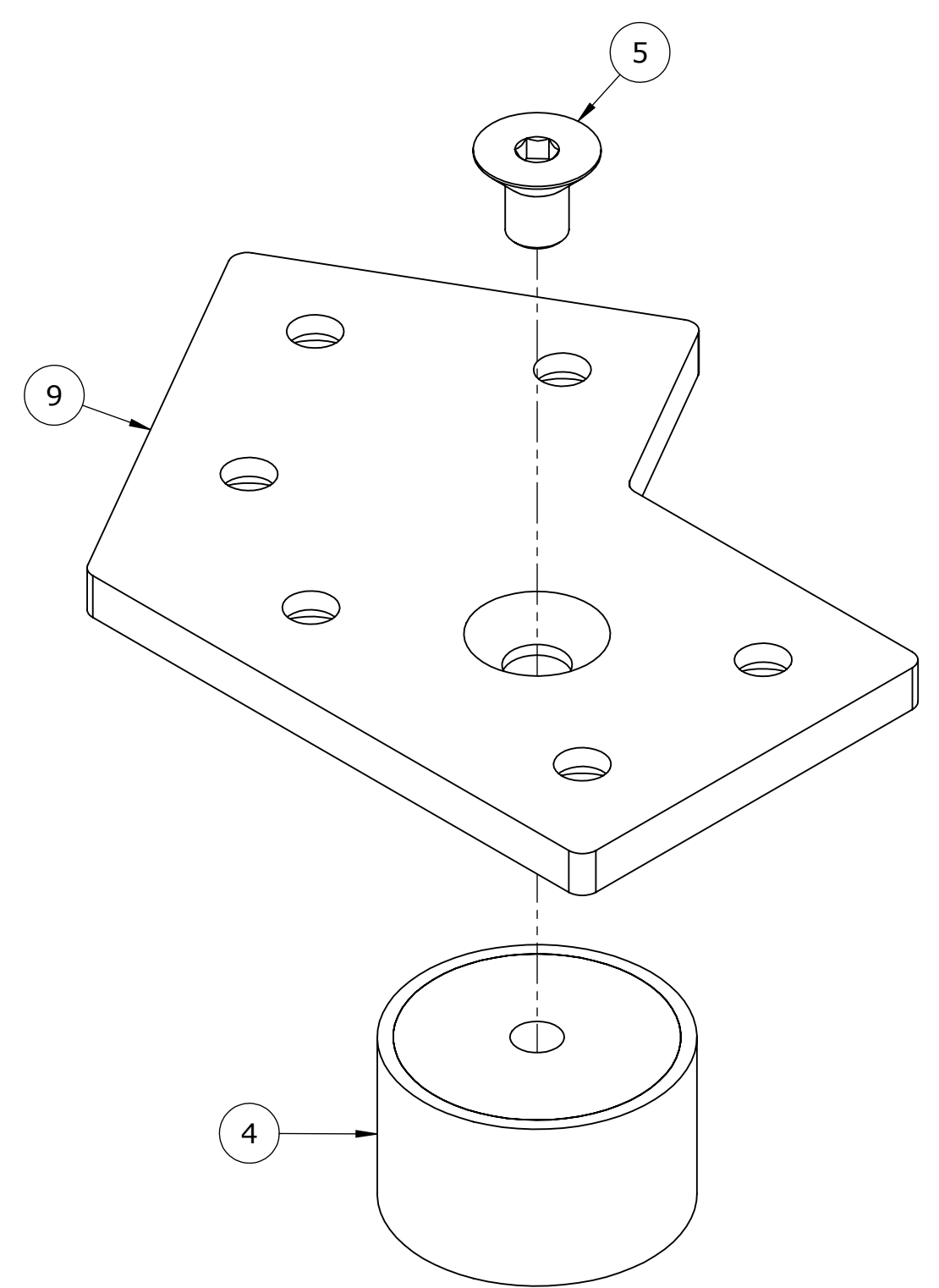
PROPRIETARY AND CONFIDENTIAL
 THE INFORMATION CONTAINED IN
 THIS DRAWING IS THE SOLE
 PROPERTY OF DEPARTED REALITY
 LLC. ANY REPRODUCTION IN PART
 OR AS A WHOLE WITHOUT THE
 WRITTEN PERMISSION OF DEPARTED
 REALITY LLC IS PROHIBITED.

- NOTES
1. THESE INSTRUCTIONS DESCRIBE THE ASSEMBLY OF THE DEPARTED REALITY LINEAR HEXAPOD BASE FRAME DR-6DOF-BASE.
 2. CONTACT DEPARTED REALITY WITH ANY QUESTIONS OR CONCERNS ON DISCORD AT <https://discord.gg/skn2HzpbQy>



PARTS LIST			
ITEM NO.	PART NUMBER	DESCRIPTION	QTY.
1	10121-04	NUT, TEE, 40 SERIES, SLIDE-IN, M8	72
2	10141-016	SCREW, FHSCS, M8X1.25, 16MM LG., BZN	36
3	10141-018	SCREW, FHSCS, M8X1.25, 18MM LG., BZN	36
4	10142-01	BUMPER, THREADED, 50mm X 30mm	6
5	10143-016	SCREW, FHSCS, M10X1.5, 16MM LG., BZN	6
6	15102-XXXX	EXTRUSION, T-SLOT, 4080, 30DEG MITER	3
7	15102-YYYY	EXTRUSION, T-SLOT, 4080, 30DEG MITER	3
8	27148-01	BRACKET, 60DEG	6
9	27200-01	BRACKET, FOOT	3
10	27200-02	BRACKET, FOOT	3

MATERIAL	N/A	APPROVALS	DATE	DEPARTED REALITY TITLE: DR-6DOF-BASE ASSEMBLY INSTRUCTIONS SIZE: D DWG. NO: 27111 ASM REV: - SCALE: 1:5 WEIGHT (KG): 27.7 SHEET: 1 OF 6
FINISH	N/A	DESIGNER A. SPIEGELMAN	20220501	
TOLERANCE UNLESS NOTED		APPROVER A. SPIEGELMAN	20220501	
LINEAR ±	N/A	RELEASE A. SPIEGELMAN	20220501	
ANGULAR ±	N/A	 		
RADII	N/A			



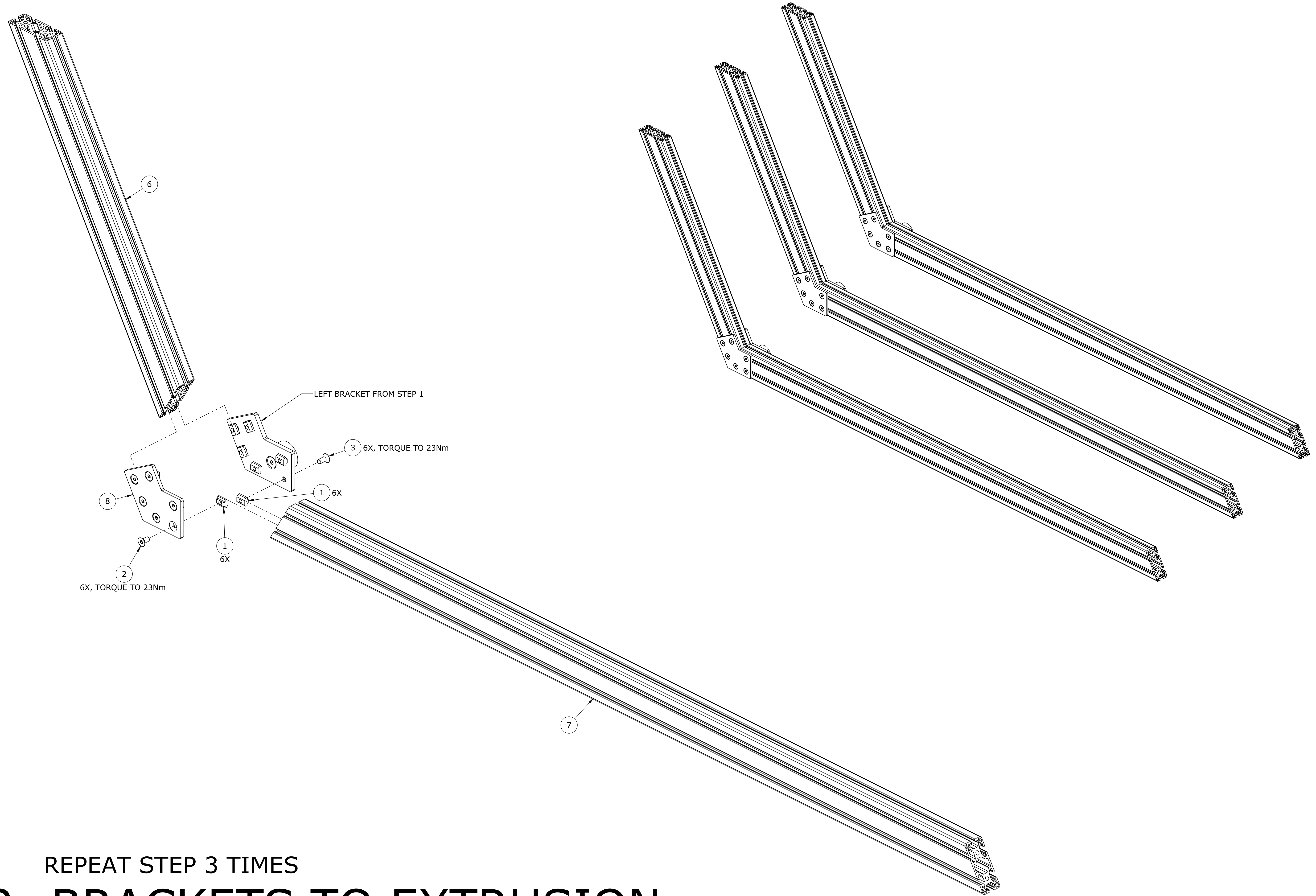
REPEAT STEP 3 TIMES

STEP 1: ATTACH RUBBER FEET TO LEFT BRACKETS

SIZE	DWG. NO.	REV.
D	27111 ASM	-
SCALE	WEIGHT (KG)	SHEET
1:1	27.7	2 OF 6

10
9
8
7
6
5
4
3
2
1

PROPRIETARY AND CONFIDENTIAL
THE INFORMATION CONTAINED IN
THIS DRAWING IS THE SOLE
PROPERTY OF DEPARTED REALITY
LLC. ANY REPRODUCTION IN PART
OR AS A WHOLE WITHOUT THE
WRITTEN PERMISSION OF DEPARTED
REALITY LLC IS PROHIBITED.

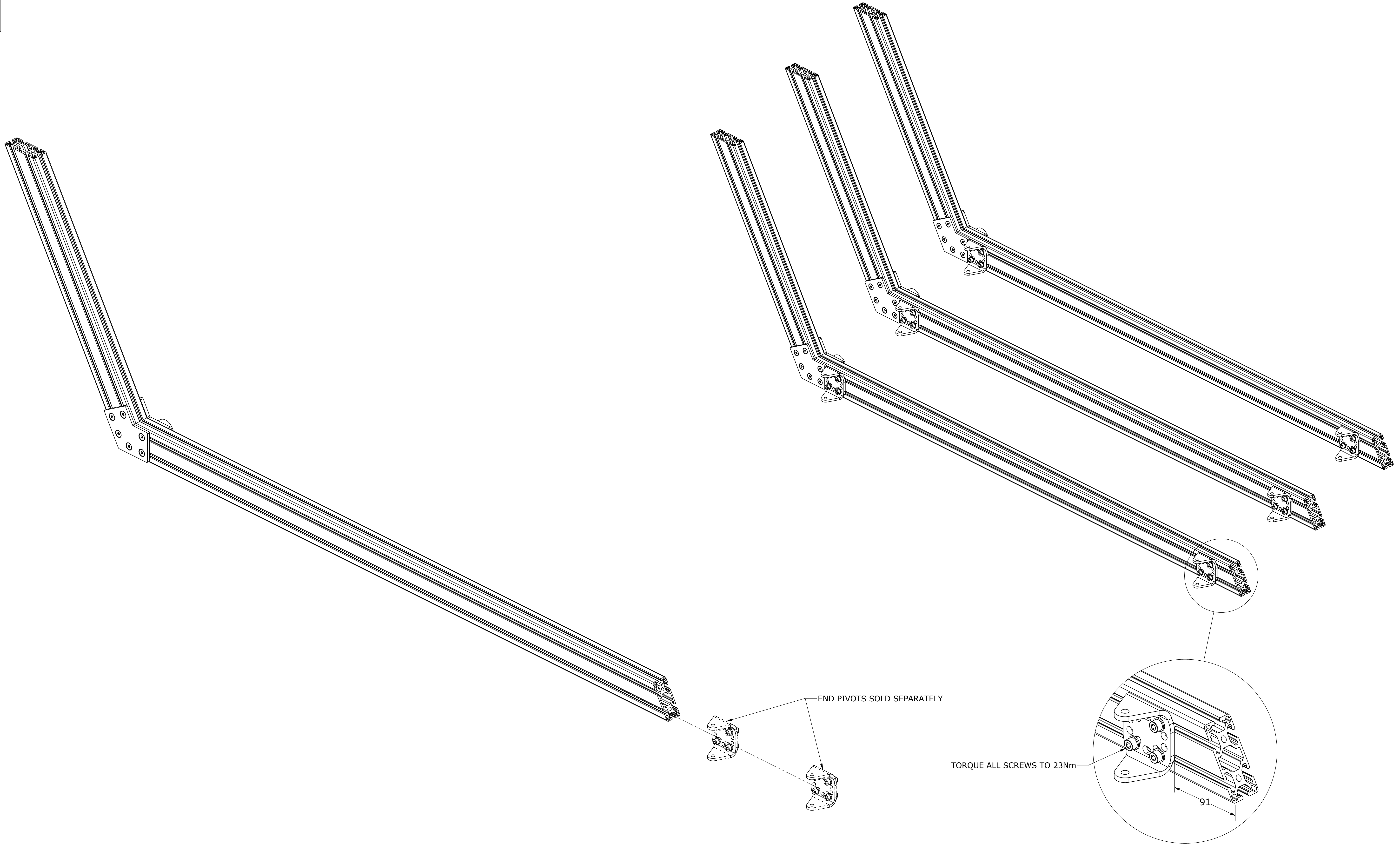


REPEAT STEP 3 TIMES

STEP 2: BRACKETS TO EXTRUSION

SIZE	DWG. NO.	REV.
D	27111 ASM	-
SCALE	WEIGHT (KG)	SHEET
1:3	27.7	3 OF 6

PROPRIETARY AND CONFIDENTIAL
 THE INFORMATION CONTAINED IN
 THIS DRAWING IS THE SOLE
 PROPERTY OF DEPARTED REALITY
 LLC. ANY REPRODUCTION IN PART
 OR AS A WHOLE WITHOUT THE
 WRITTEN PERMISSION OF DEPARTED
 REALITY LLC IS PROHIBITED.

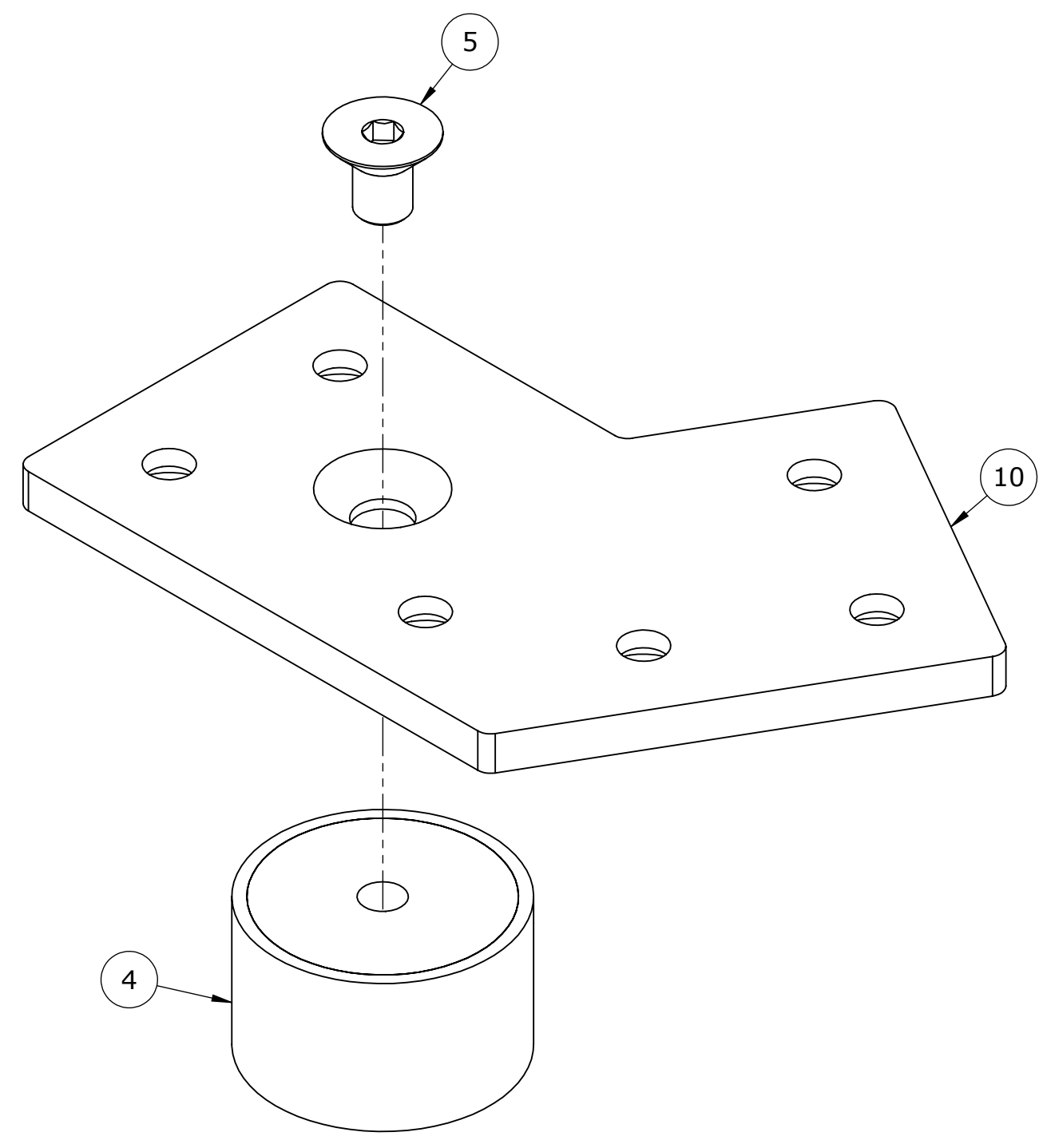


REPEAT STEP 3 TIMES

STEP 3: ATTACH END PIVOTS

SIZE	DWG. NO.	REV.
D	27111 ASM	-
SCALE	WEIGHT (KG)	SHEET
1:4	27.7	4 OF 6

PROPRIETARY AND CONFIDENTIAL
 THE INFORMATION CONTAINED IN
 THIS DRAWING IS THE SOLE
 PROPERTY OF DEPARTED REALTY
 LLC. ANY REPRODUCTION IN PART
 OR AS A WHOLE WITHOUT THE
 WRITTEN PERMISSION OF DEPARTED
 REALTY LLC IS PROHIBITED.

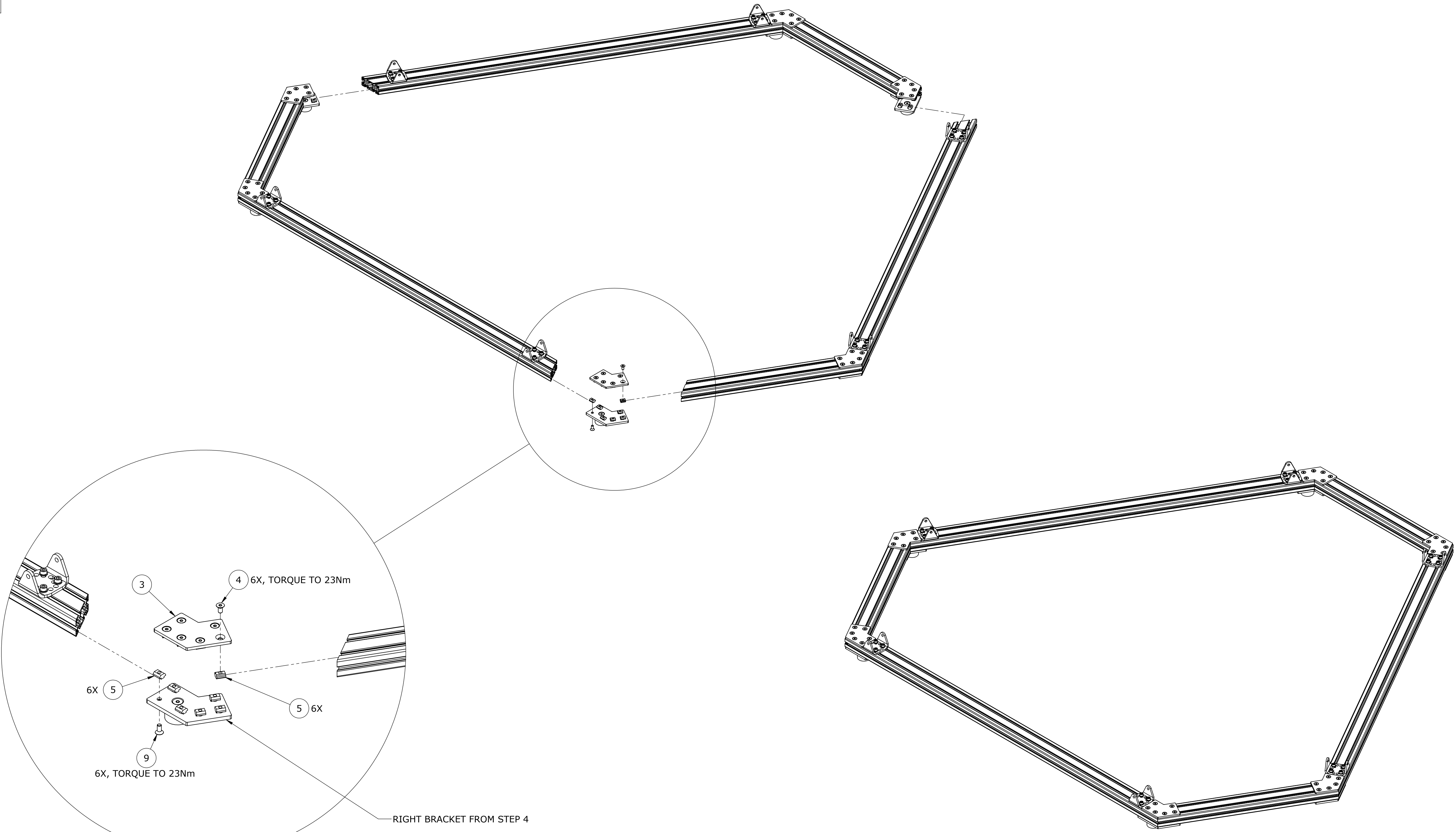


REPEAT STEP 3 TIMES

STEP 4: ATTACH RUBBER FEET TO RIGHT BRACKETS

SIZE	DWG. NO.	REV.
D	27111 ASM	-
SCALE	WEIGHT (KG)	SHEET
1:1	27.7	5 OF 6

PROPRIETARY AND CONFIDENTIAL
THE INFORMATION CONTAINED IN
THIS DRAWING IS THE SOLE
PROPERTY OF DEPARTED REALITY
LLC. ANY REPRODUCTION IN PART
OR AS A WHOLE WITHOUT THE
WRITTEN PERMISSION OF DEPARTED
REALITY LLC IS PROHIBITED.



REPEAT 3 TIMES

STEP 5: ATTACH RIGHT BRACKETS

SIZE	DWG. NO.	REV.
D	27111 ASM	-
SCALE	WEIGHT (KG)	SHEET
1:8	27.7	6 OF 6