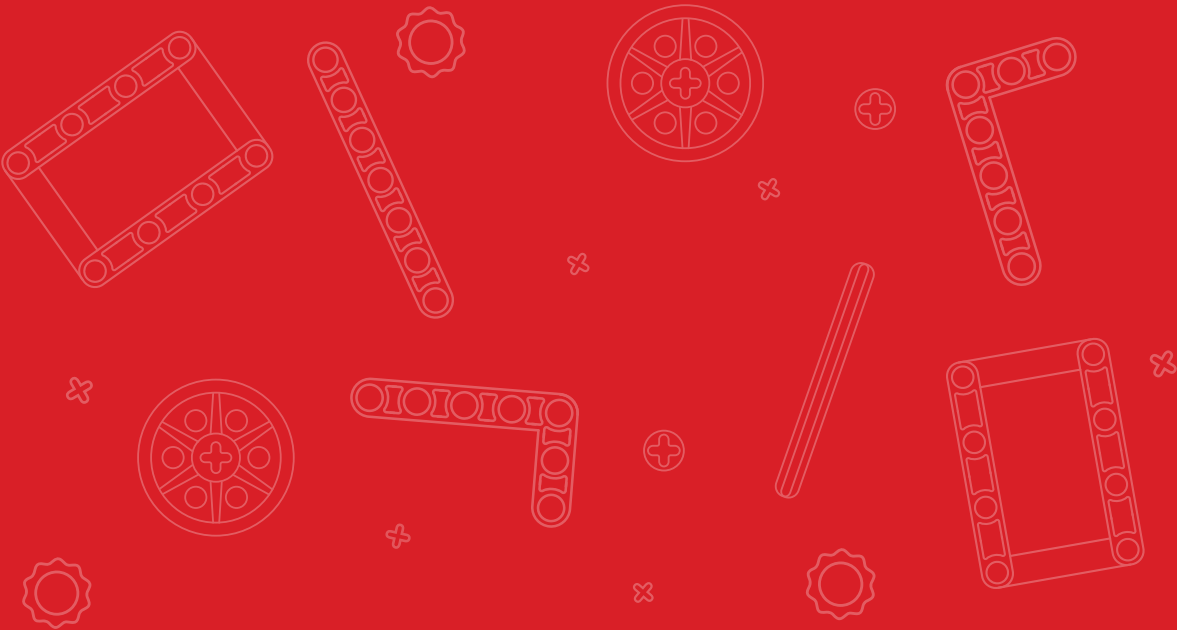


Building Instructions



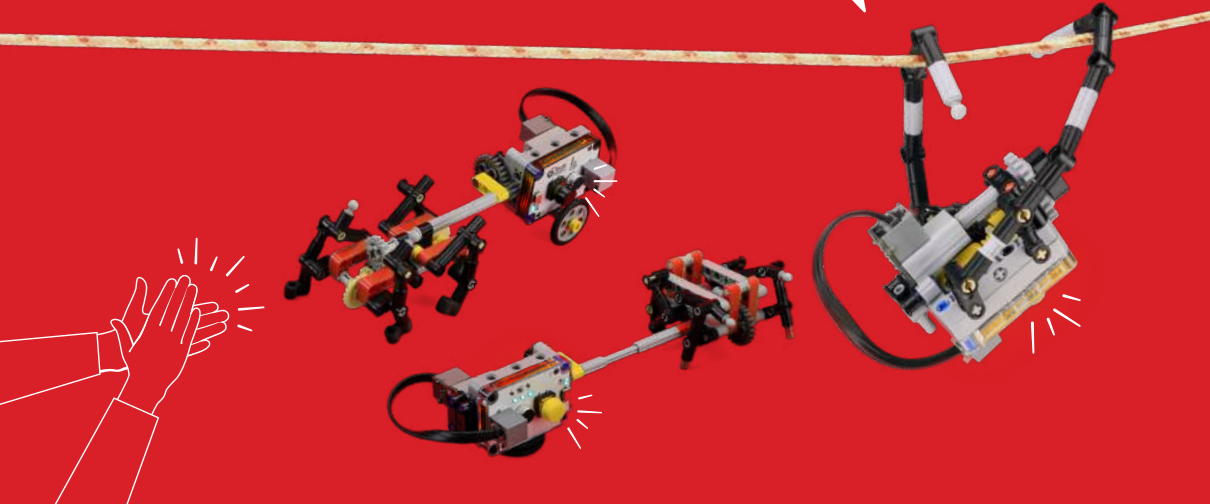
Cherry Tart Monkeynoid Robot Kit



Keep these instructions for future reference as they contain important information.

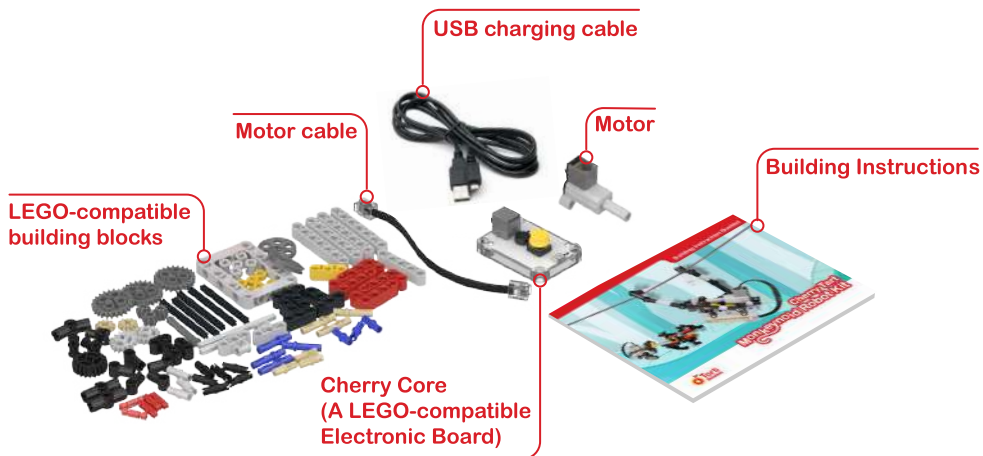
Hey there,

I am Monkeynoid from Cherry Tart Family. A 5 in 1 hands-on sound-activated motorized robot kit for fun and STEM education. I have made of functional building blocks, so I can be assembled just by snapping parts together. I can be converted to different animal-like robots such as zipline, monkey cart, and monkey mill. I can hear your clap with my microphone, and the faster you clap, the faster I move. I am full of exciting features that enable you to flourish your creativity by hacking my structure to make different creatures. I am yours to innovate.



In the box

Your Monkeynoid robot kit includes one Cherry Core (a sound-activated LEGO-compatible electronic board) with a built-in Li-Po rechargeable battery, one compact motor, one motor cable, one USB charging cable, and more than 190 LEGO-compatible building blocks.



Models



Zipline Robot



Monkey Cart Robot



Monkey Mill Robot



Sleigh Robot

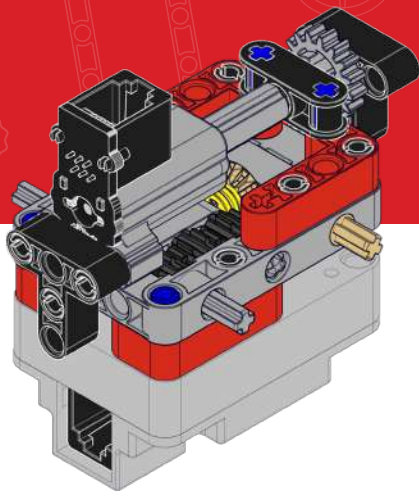


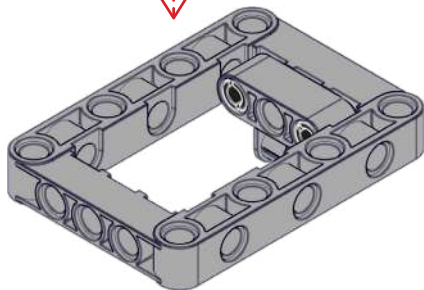
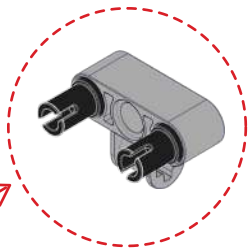
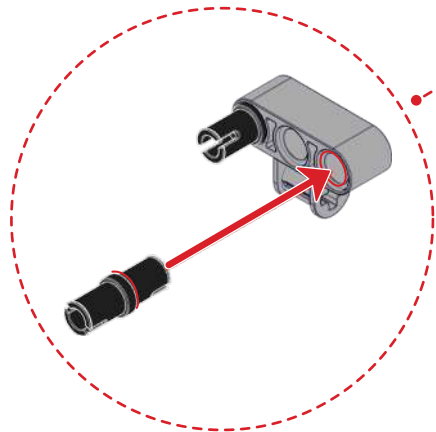
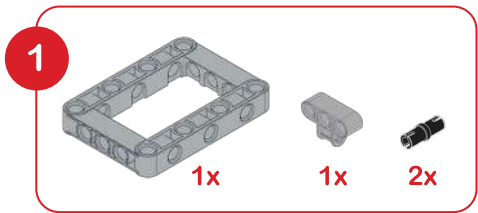
Slither Robot

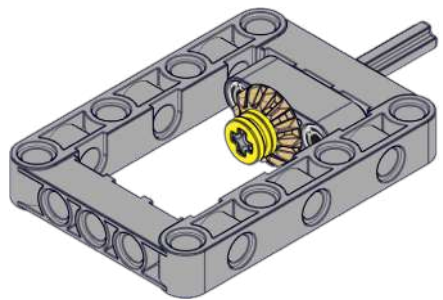
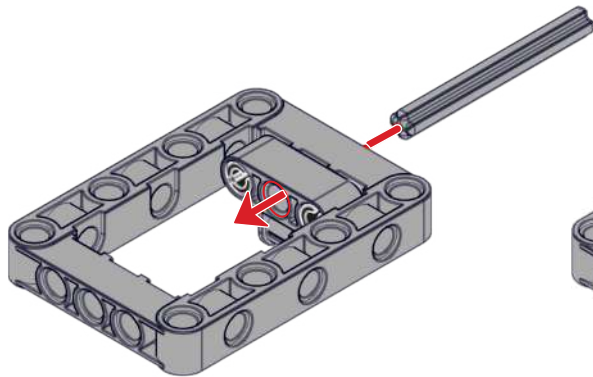
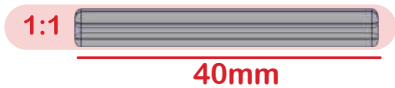
Building Instructions

This section includes the mechanical assembly instructions of the amazing projects that you can make with the Monkeynoid kit. Let's start with the zipline robot. Follow the assembly instructions to transform parts into the zipline robot. For detailed assembly instructions of other projects, please visit our website at www.tartrobotics.com

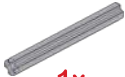
Zipline Robot Building Instructions Section 1







3



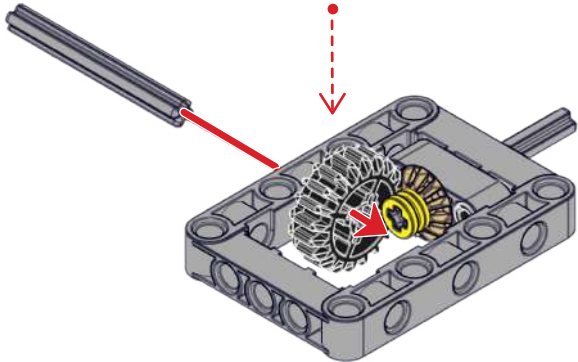
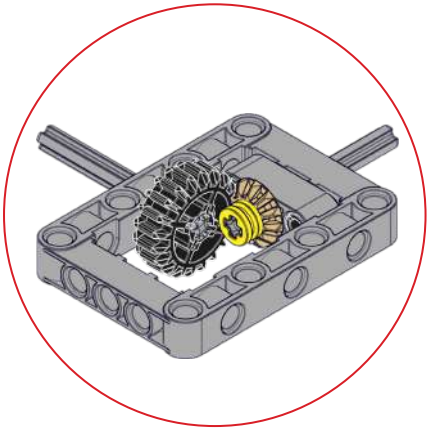
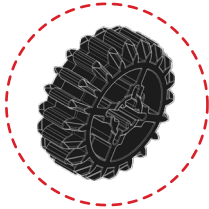
1x



1x



40mm



4



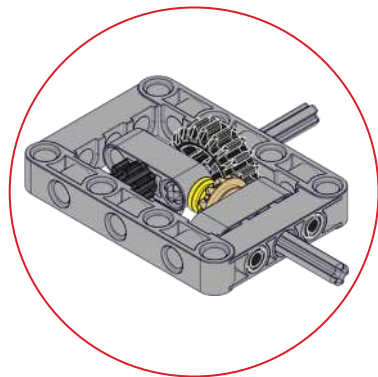
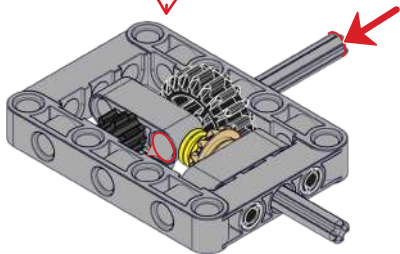
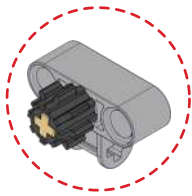
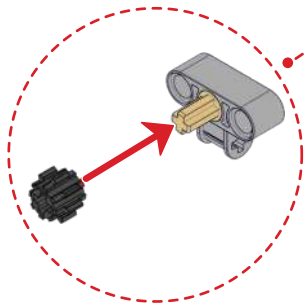
1x




1x



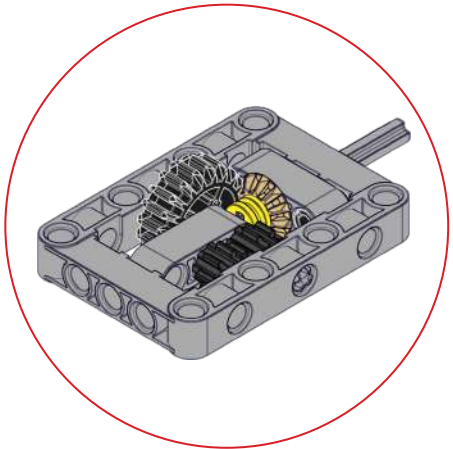
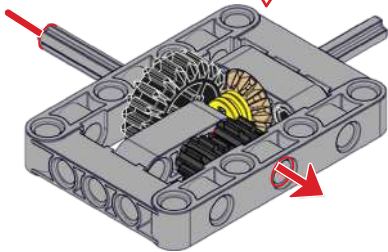
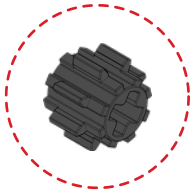
1x



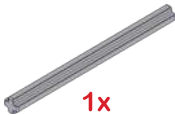
5



1x



6



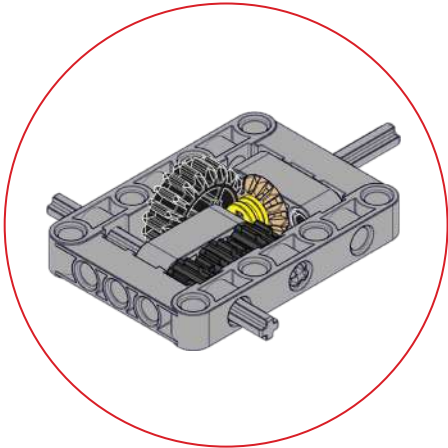
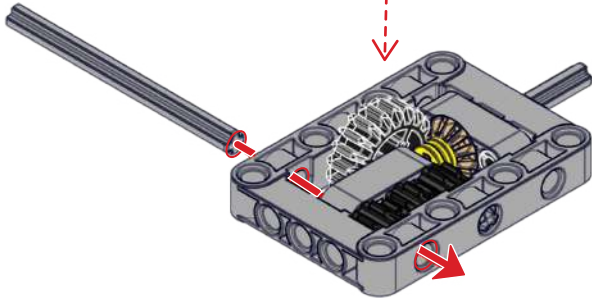
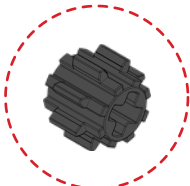
1x

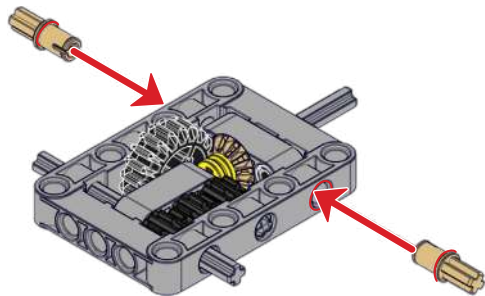
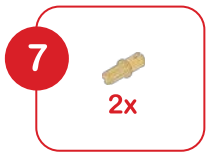


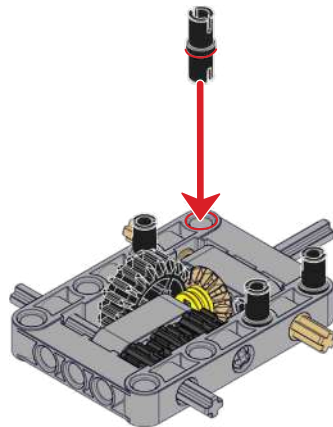
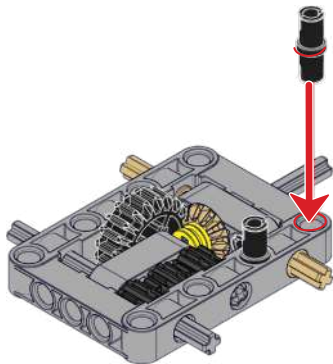
1x




56mm



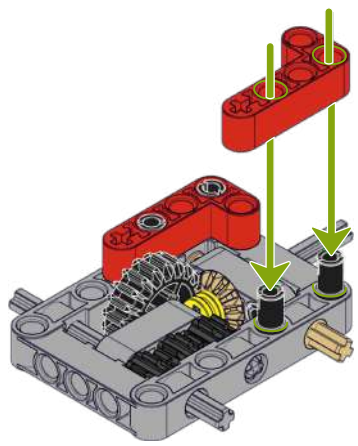




10



2x



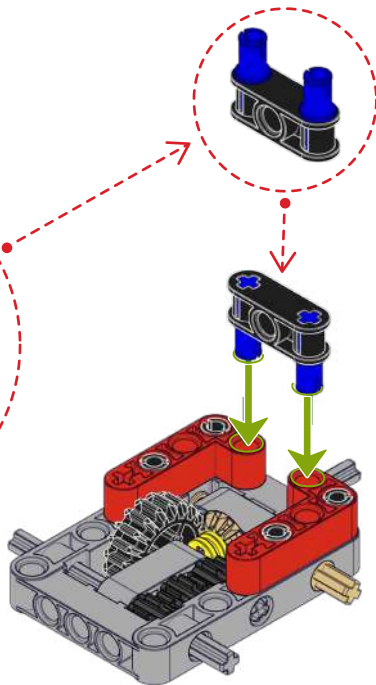
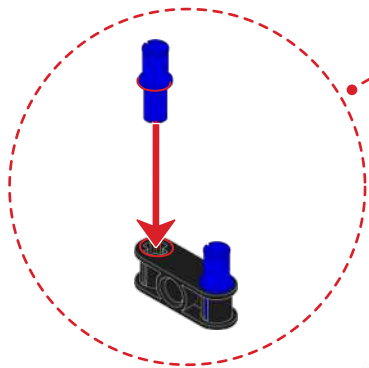
11



1x



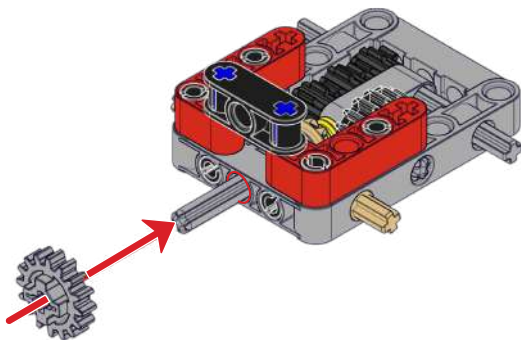
2x



12



1x



13



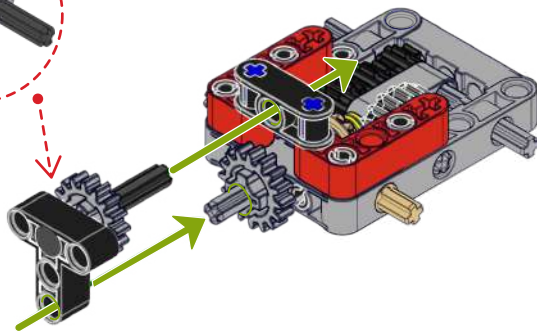
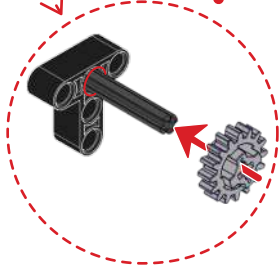
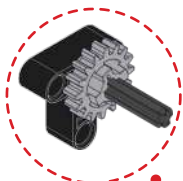
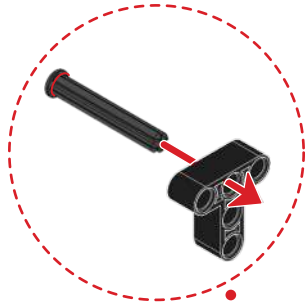
1x



1x



1x



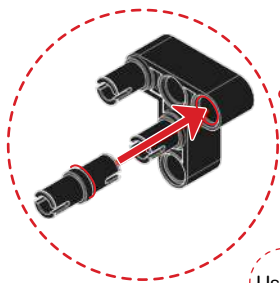
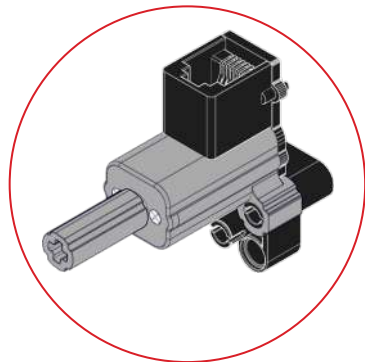
14



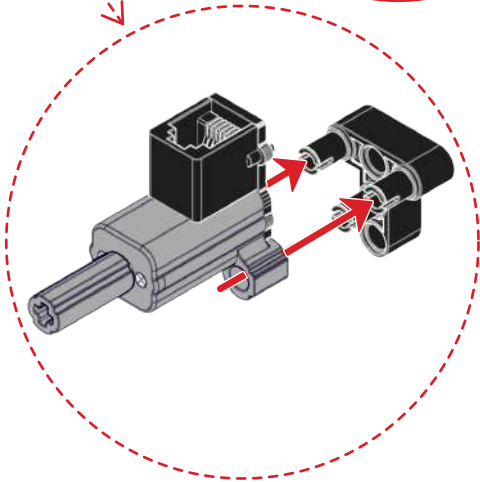
1x



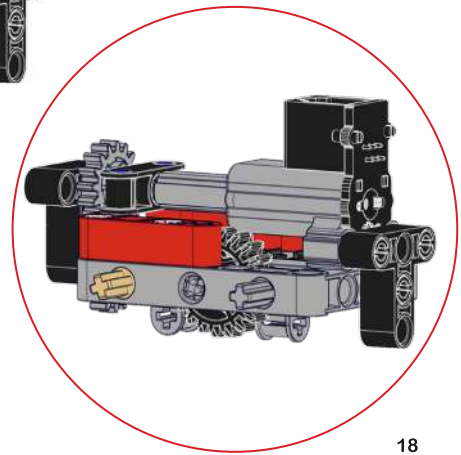
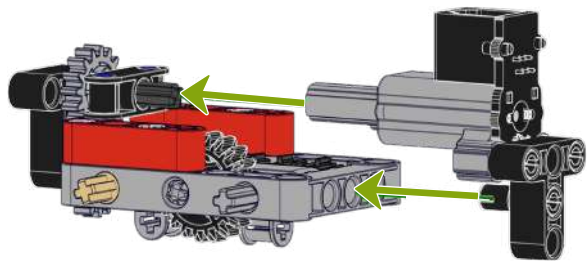
3x



Use the 120 RPM motor



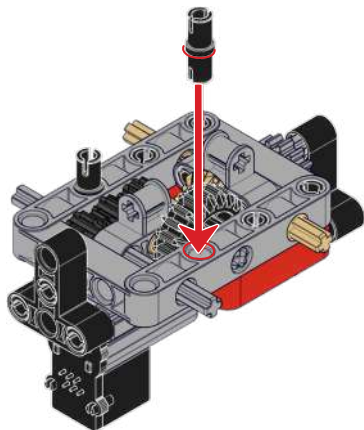
15



16



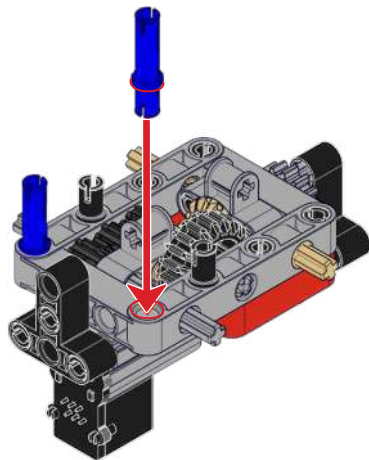
2x



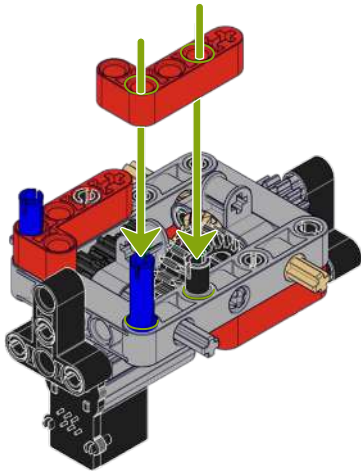
17



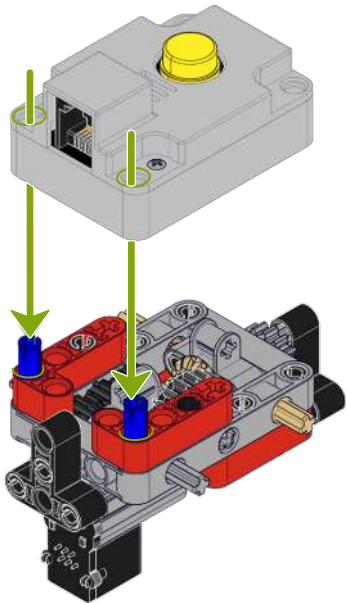
2x



18

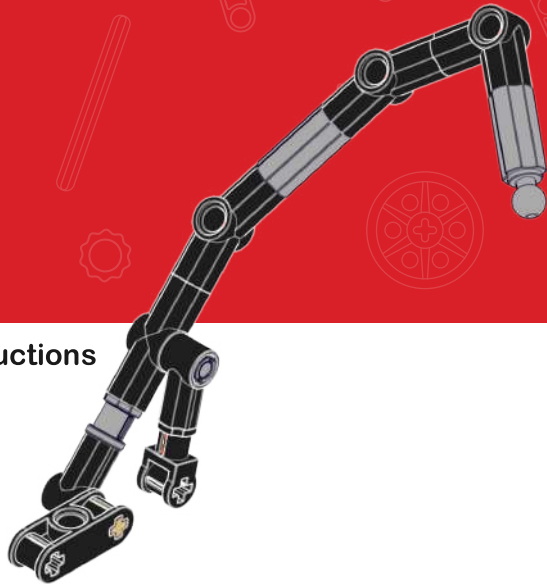


19



Zipline Robot Building Instructions
Section 2

2x



20



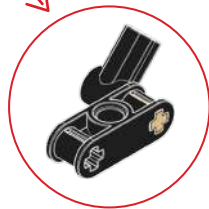
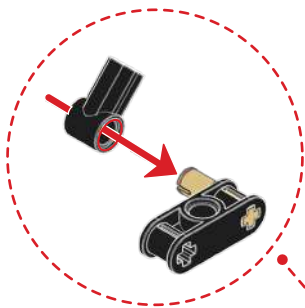
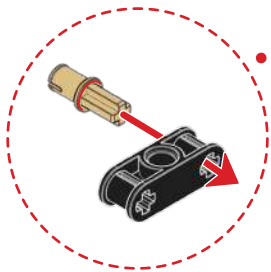
1x



1x



1x



21



1x

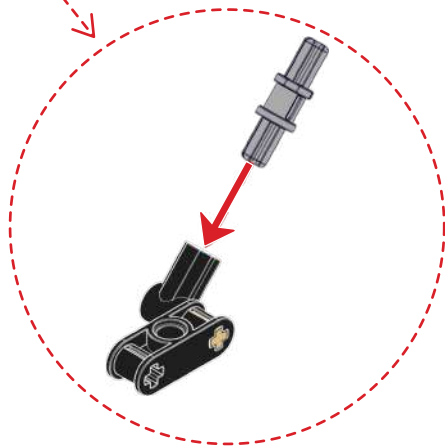
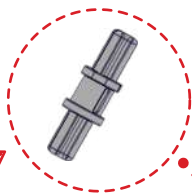
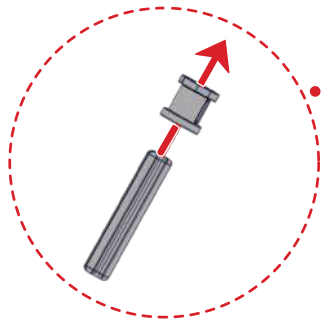


1x

1:1



24mm



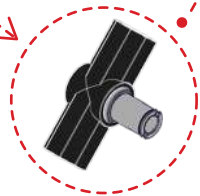
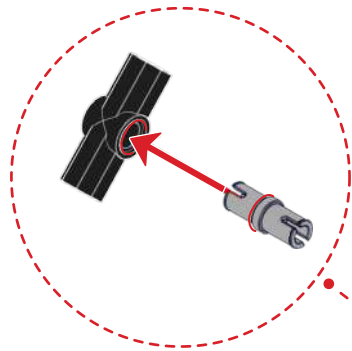
22



1x



1x



23



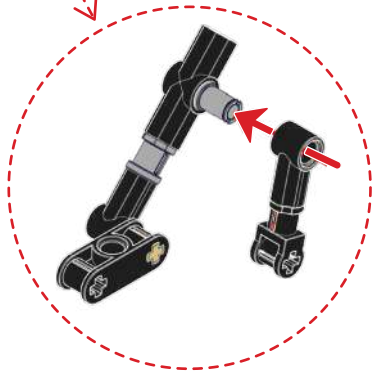
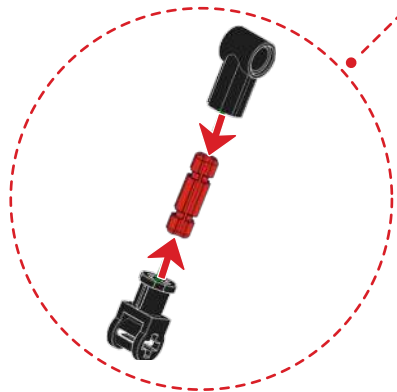
1x



1x



1x



24

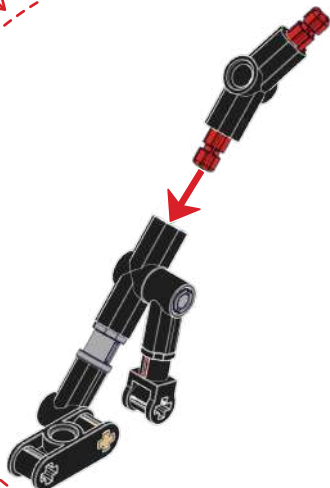
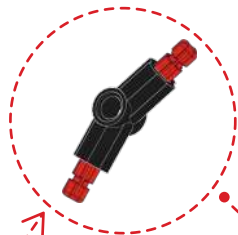
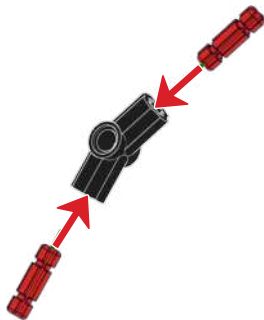


1x



2x

1:1



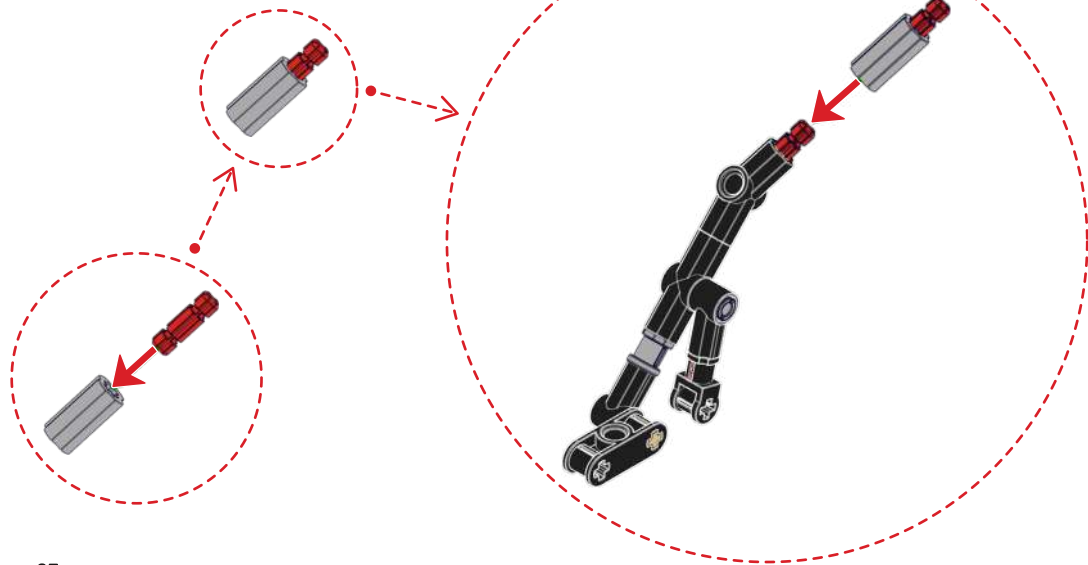
25



1x



1x



26

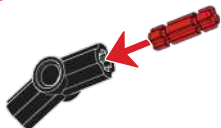


1x



1x

1:1



27

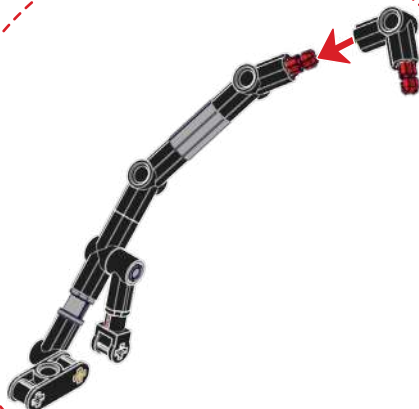
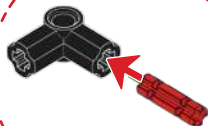


1x



1x

1:1



28



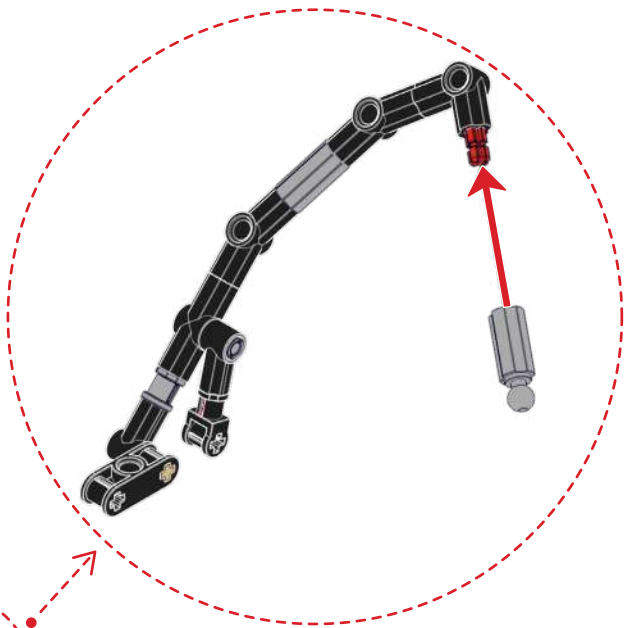
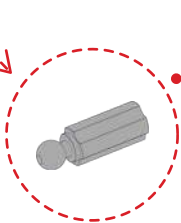
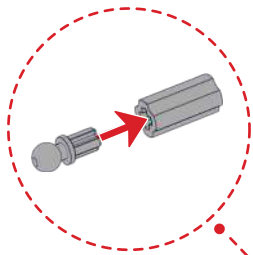
1x



1x

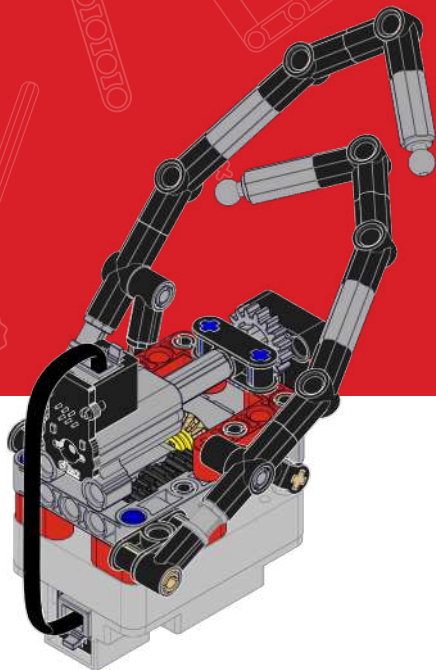


1x

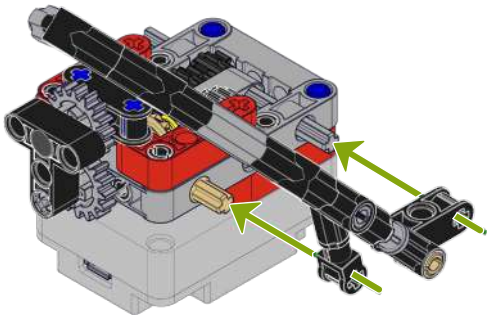


Zipline Robot Building Instructions

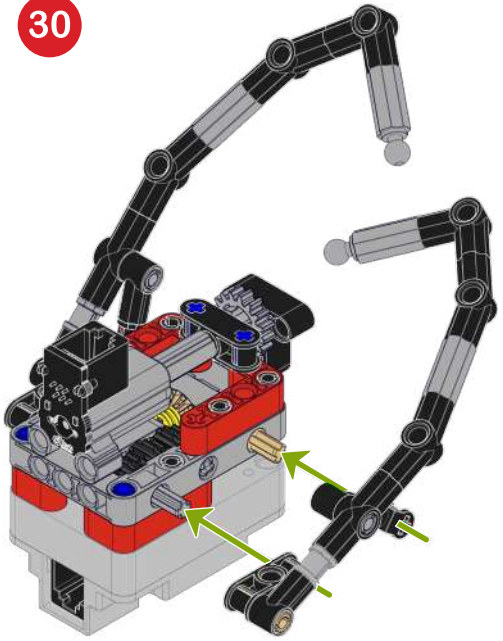
Section 3



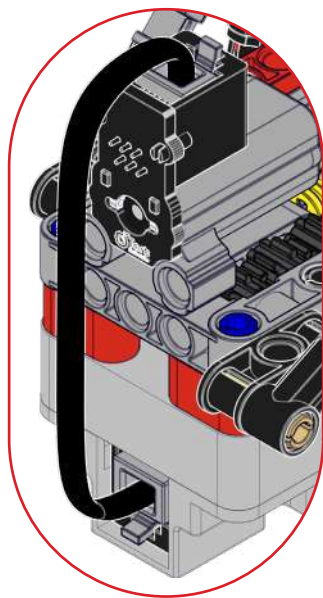
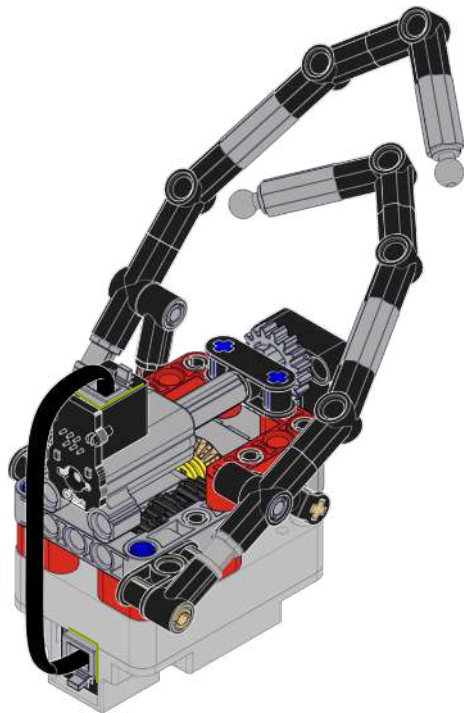
29



30



31



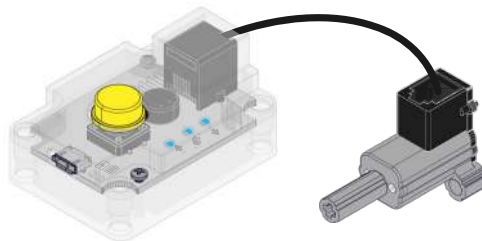
Wiring Diagram and Quick Start

Cherry Core has a tactile push-button for on/off control and changing the operation modes. Three blue lights indicate operation modes (Forward motion, Sound-activated motion, and Backward motion).

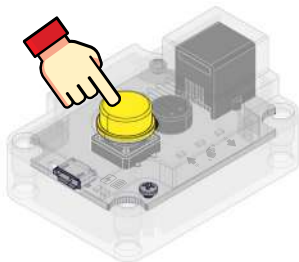
➡ Forward motion

👏 Sound-activated motion

⬅ Backward motion



- To turn the Cherry Core ON, Press the push-button once.
- press the push-button for changing the operation modes.
- To turn the Cherry Core OFF, Press and hold the push-button for 2 seconds.



Battery Instruction

1. Battery Safety

Please carefully read the following safety instructions and charge and use the battery correctly.

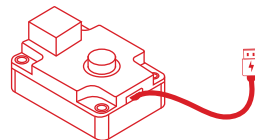
- The battery must be kept away from flammable materials, direct heat, fire, hot places, and direct sunlight. There is a high risk of leakage and exploding.
- The battery must not be disposed of with other household waste. Refer to the battery recycling section for further details.
- The battery is recyclable under certain circumstances. Refer to the battery recycling section for further details.
- Do not disassemble, modify, puncture, cut, tear, compress, and deform the Cherry Core pack. There is a high risk of leakage and exploding.
- Do not short circuit the battery, may cause burns.

2. Battery Charging

- Rechargeable batteries are only to be charged under adult supervision.
- To charge, insert the included USB charging cable into your Cherry Core micro USB port, as shown in the picture. Plug the other end of the cable into a 5V smartphone charger or computer's USB port. Your Cherry Core will automatically begin charging the battery.
- The red light next to the USB port indicates that the USB charging cable is connected.

- The green light indicates that the battery is fully charged.

Note: Cherry Core automatically turns off when it's on charging and when the battery is low.



3. Battery Recycling

- The battery must not be disposed of with other household waste.
- The battery is recyclable under certain circumstances. However, to minimize the impact on the environment and human health from soil and water contamination, they should be collected separately for proper recovery and recycling techniques. Consult your local city council for battery recycling options.

4. Battery Removal

- The battery inside the pack is factory assembled and non-replaceable.
- Do not open the screws on the Cherry Core. Opening the Cherry Core will make the product inoperative and remove the manufacturing warranty.
- Do not modify and short-circuit battery wires.

Operation

Do not submerge, burn, puncture, crush, microwave or expose your robot to water, extreme heat or fire. Do not operate your robot in very dusty or sandy environments – debris may damage the mechanisms. Do not allow fingers, hair or clothing to become entangled in your robot's moving parts. Do not operate your robot near anyone's face or eyes. If your robot's mechanisms or motor jam, immediately stop operations and deactivate the robot. Identify and correct the jam before reactivating the robot. Do not operate the robot if the electronics or mechanisms are damaged.

Use & Maintenance

The Monkeynoid robot kit contains small parts not suitable for children under the age of three.

- Recharge your robot if you see a reduction in performance, or if your robot is not properly responding to commands.
- Do not operate your robot in rain or other wet conditions this can potentially damage your robot.
- If your robot's mechanisms or motor jam, immediately stop operations and deactivate the robot. Identify and correct the jam before reactivating the robot.
- Do not operate the robot if the electronics or mechanisms are damaged.

- Do not clean your robot with any liquids.
- Do not use water, alcohol, household cleaners, ammonia, window cleaner, aerosol sprays, solvents or abrasives. Use only a clean, dry, lint-free cloth to gently remove debris.

LEGO® is a trademark of LEGO group, which does not sponsor, authorize or endorse Tart Robotics products.

Copyright © 2021 Tart Robotics, Inc. All Rights Reserved.

Tart Robotics™, Tart Robotics logo are the trademarks of Tart Robotics, Inc. Tart Robotics, Inc. reserves the right to amend or improve the product design, application, software and/or user guide without any restriction or obligation to notify users.

Remove all packaging before use. Pictures may vary from the content. Keep this guide for future reference. This building instruction should be used for reference only and may be updated. For finding the most updated version, visit our website at www.tartrobotics.com



Warning: CHOKING HAZARD – Small parts.

Attention! DANGER D'ÉTOUFFEMENT - Contient de petits éléments.





Tart Robotics, Inc.
Suite#200, 5700 Yonge Street, Toronto, ON, M2M 4K2, Canada
www.tartrobotics.com

customer care@tartrobotics.com

Designed in Toronto, Canada. Made in China