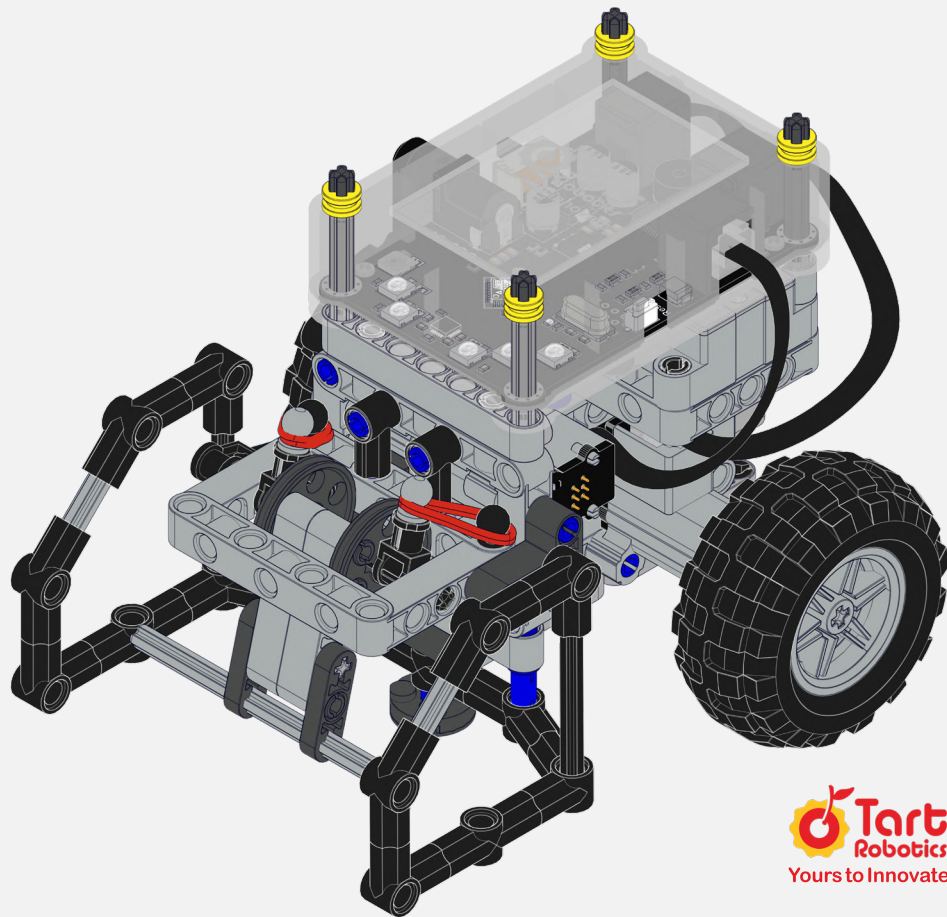
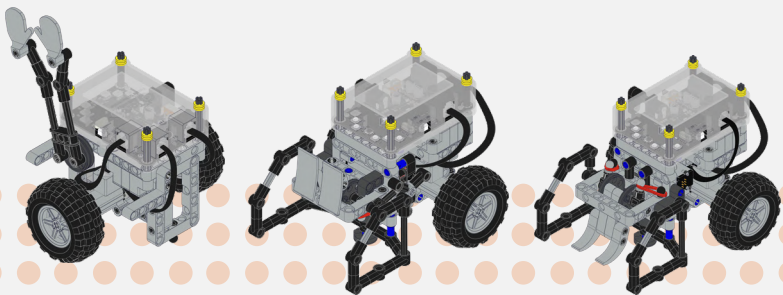


OrangeTart

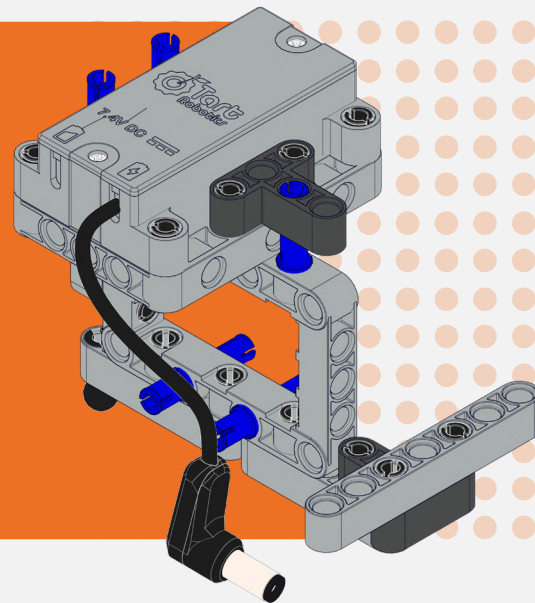
# Striker Robot

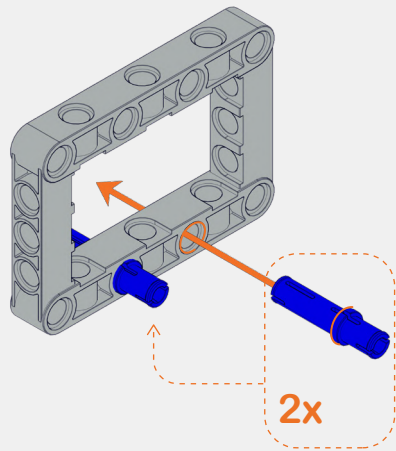
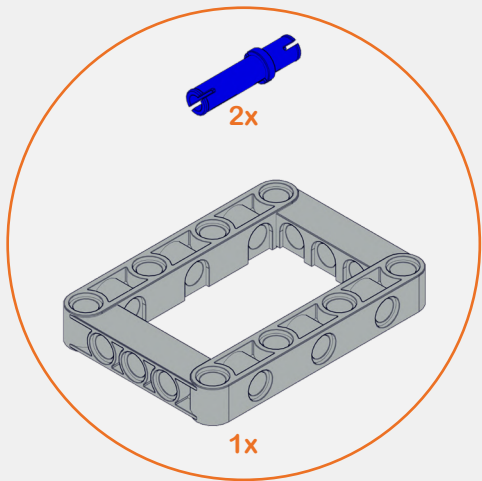
## Assembly Instructions



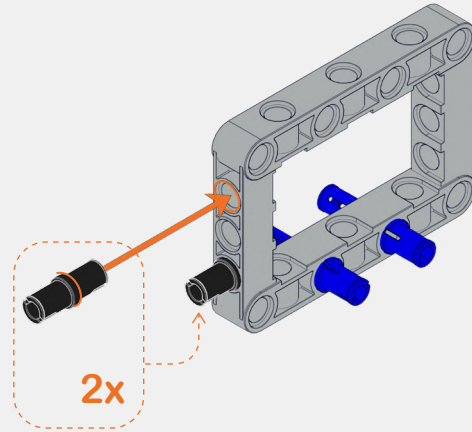
StrikerRobot  
Assembly Instructions

▽ Stage 1

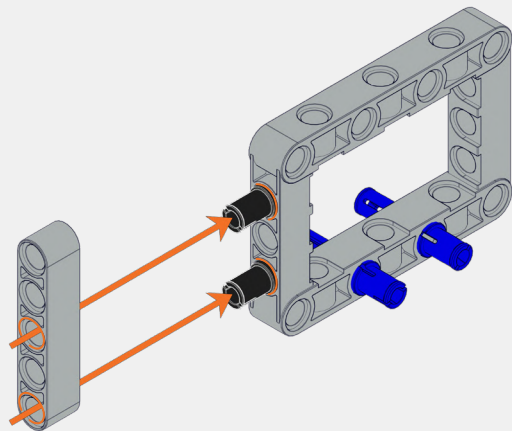
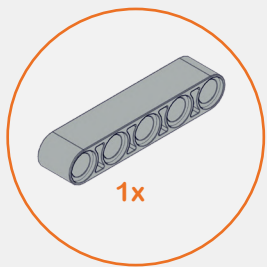




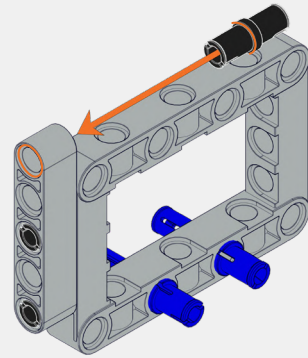
1



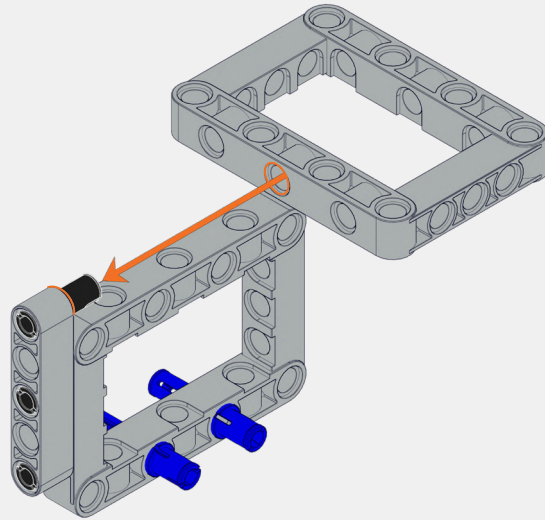
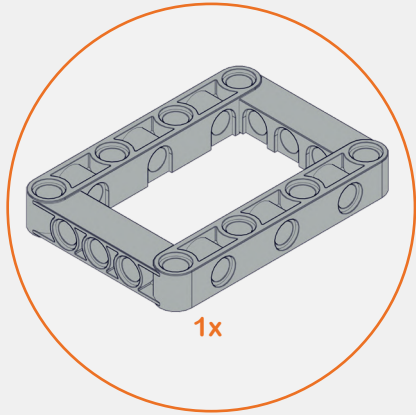
2



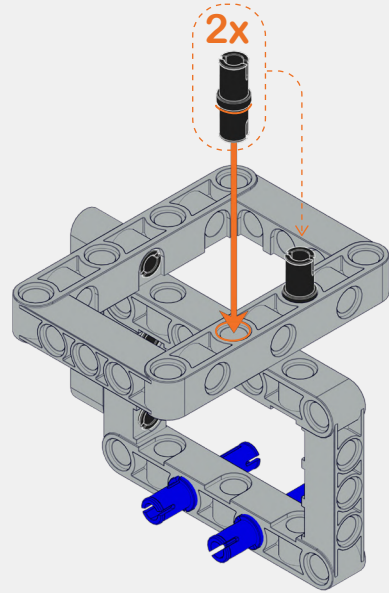
3



4

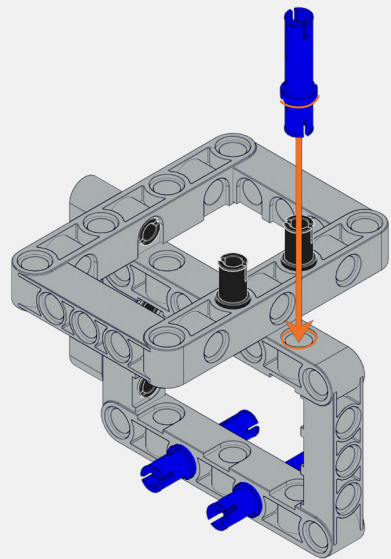


5

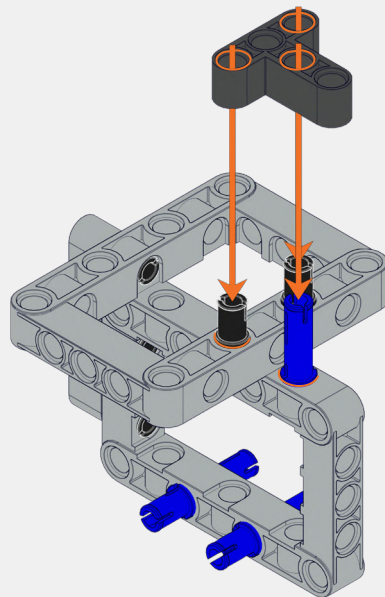
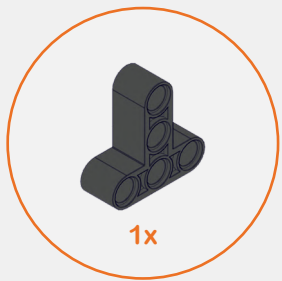


6





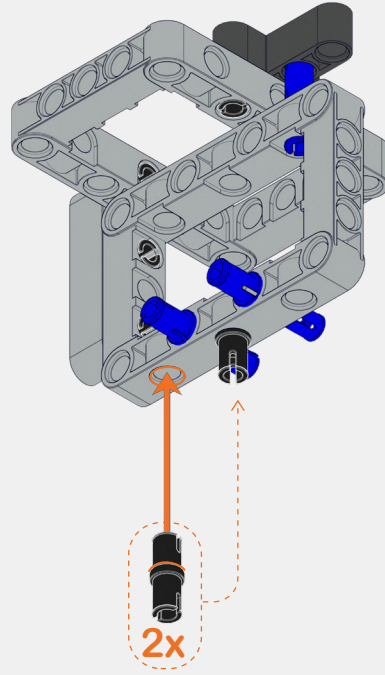
7

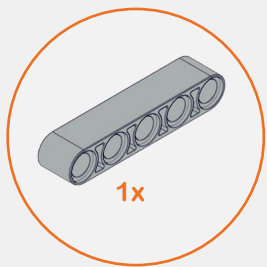


8

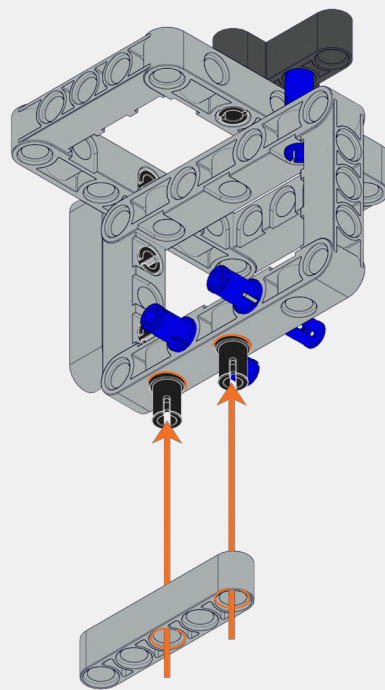


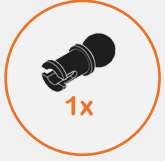
9



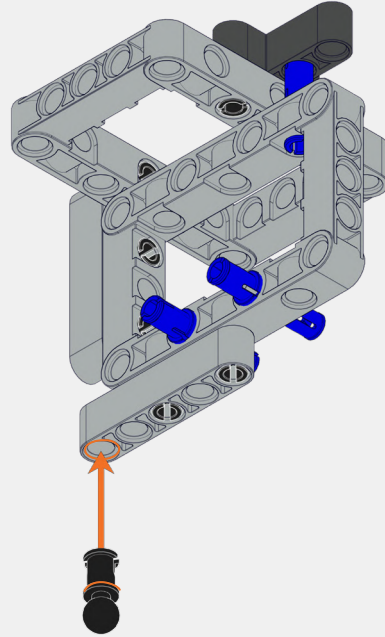


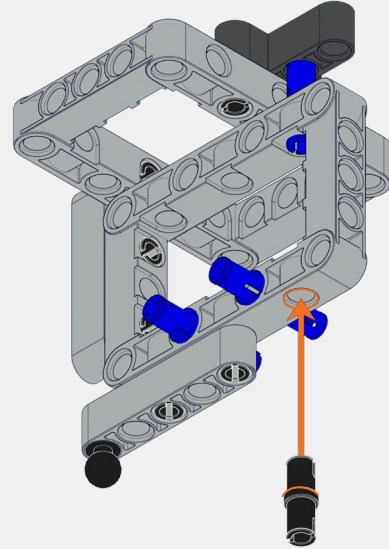
10



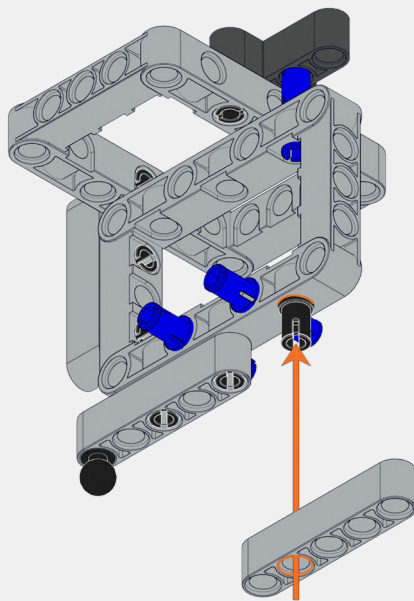
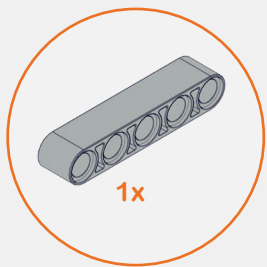


11

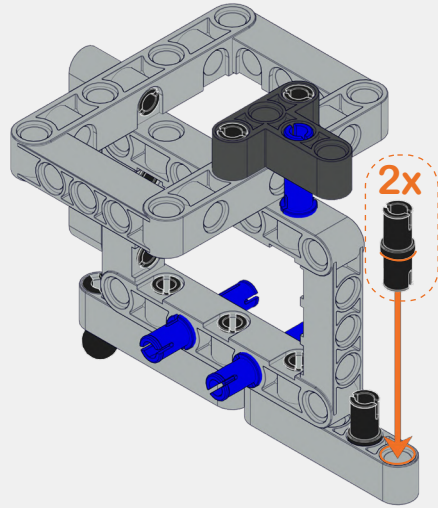




12

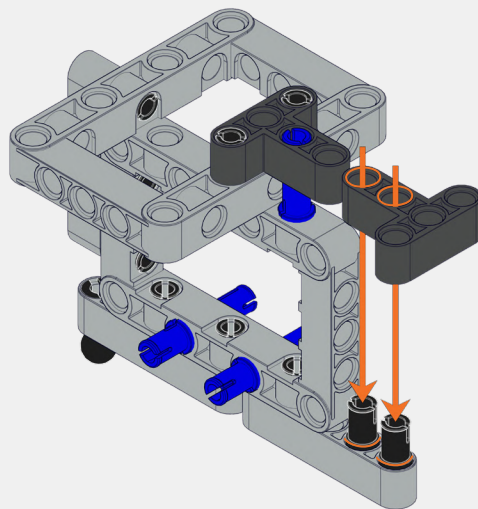
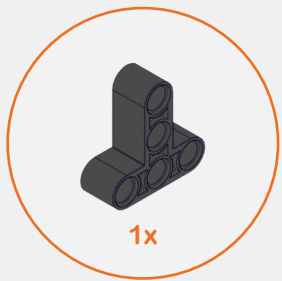


13

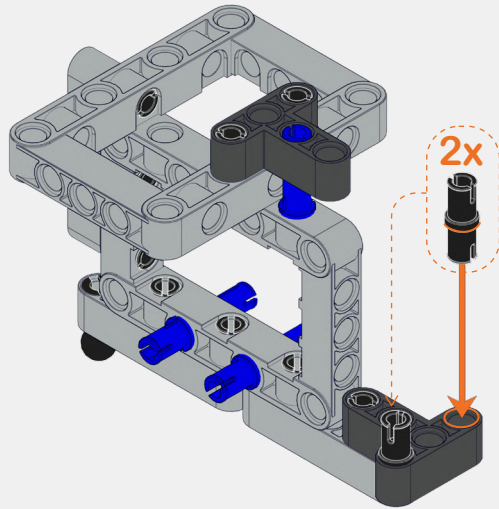


14

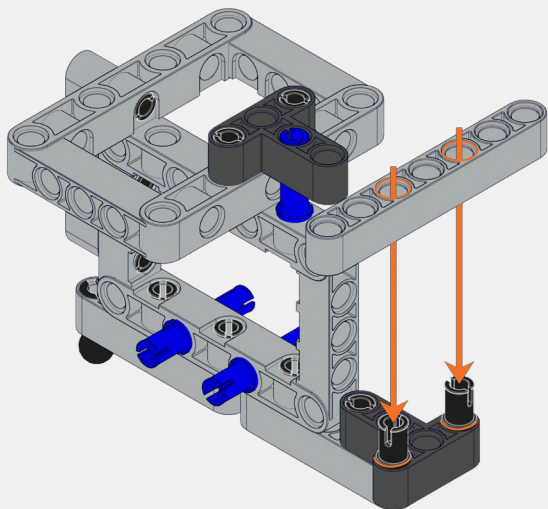
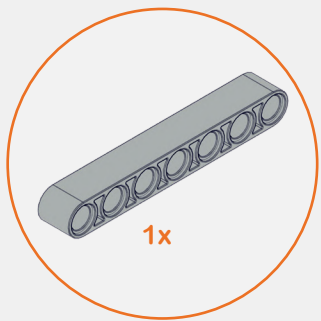




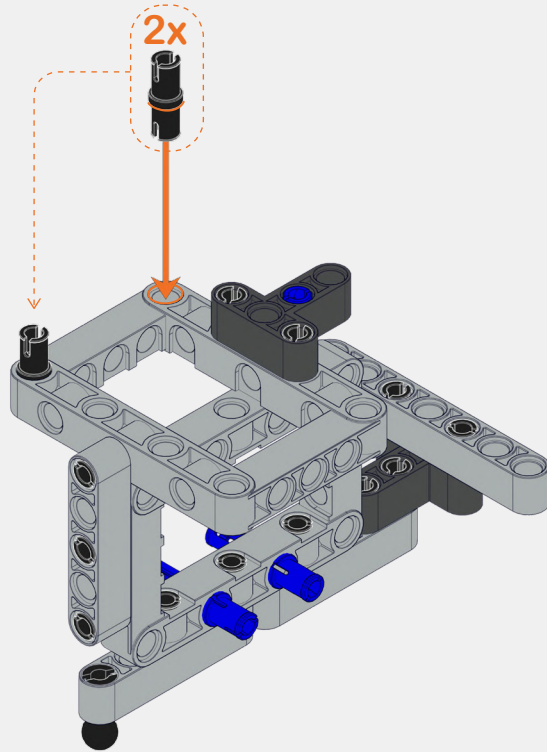
15



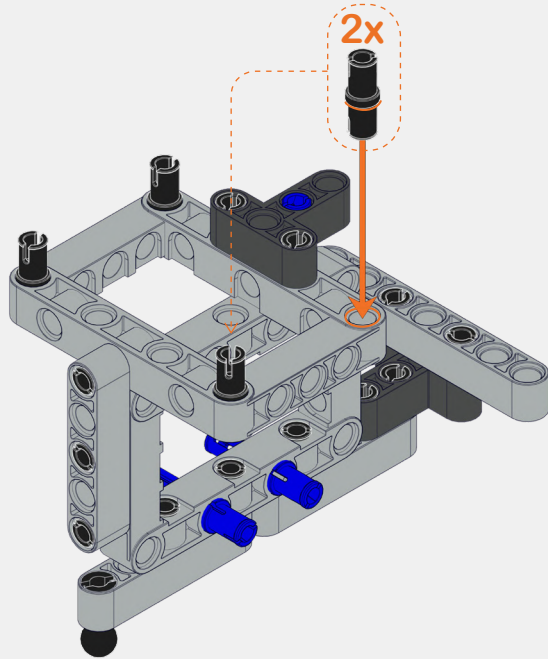
16



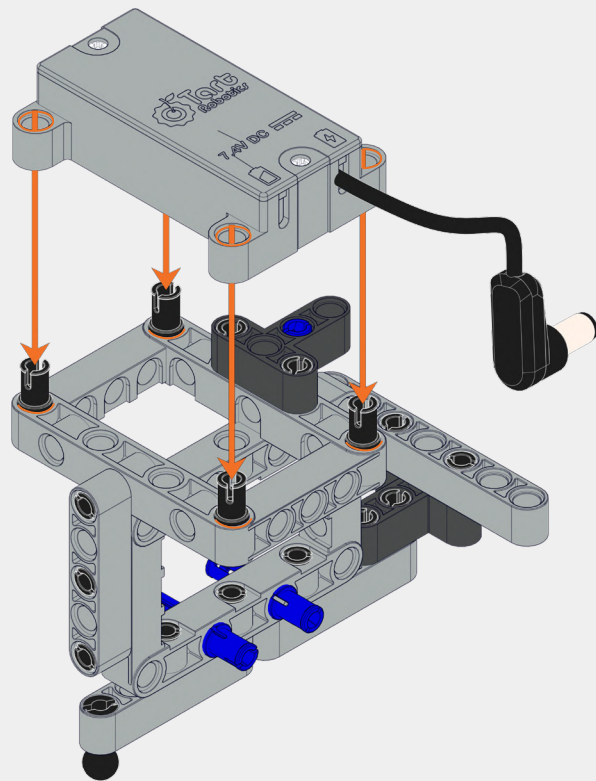
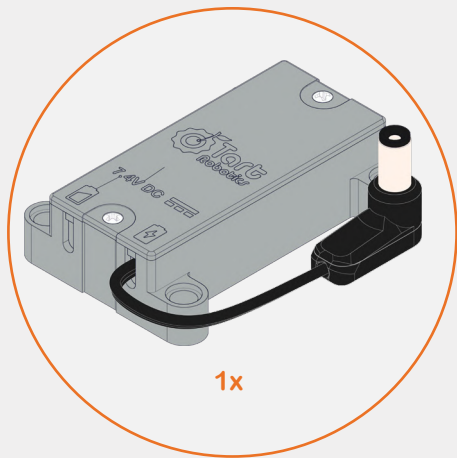
17



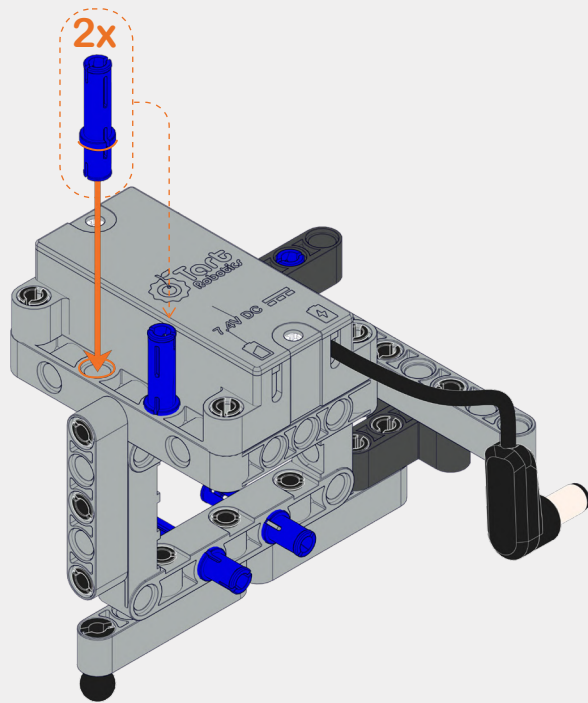
18



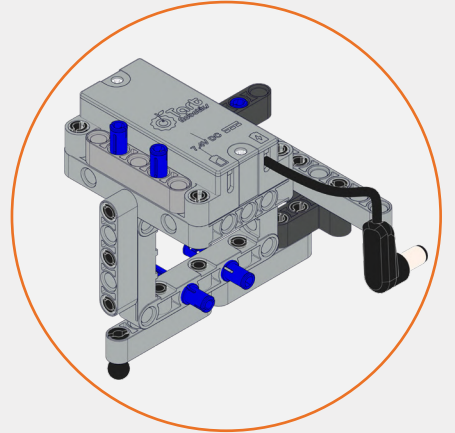
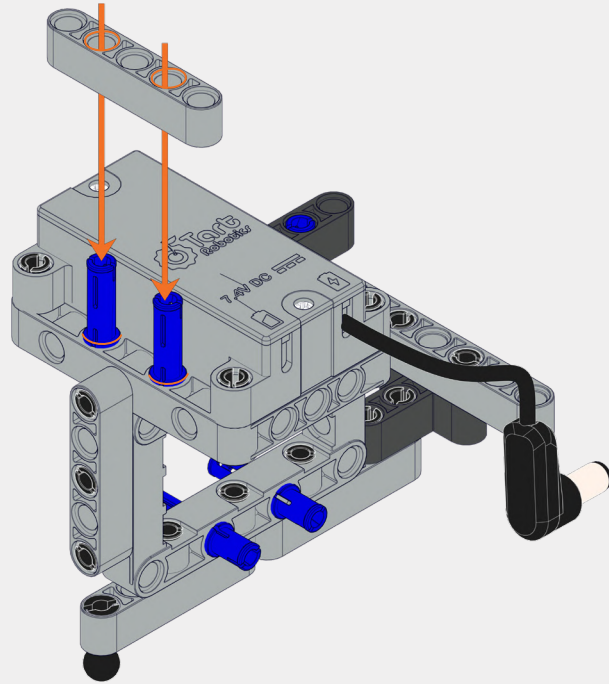
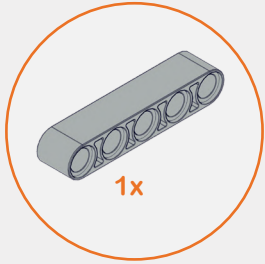
19



20



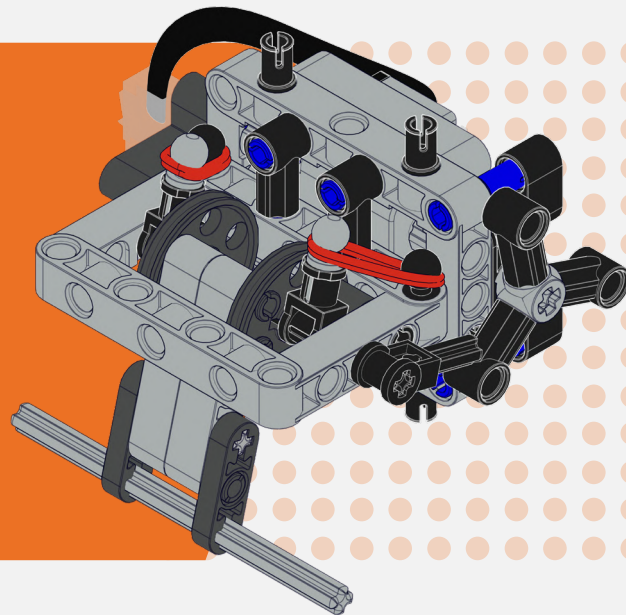
21

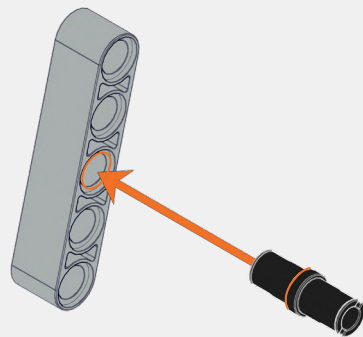
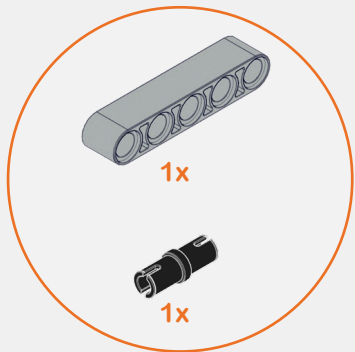




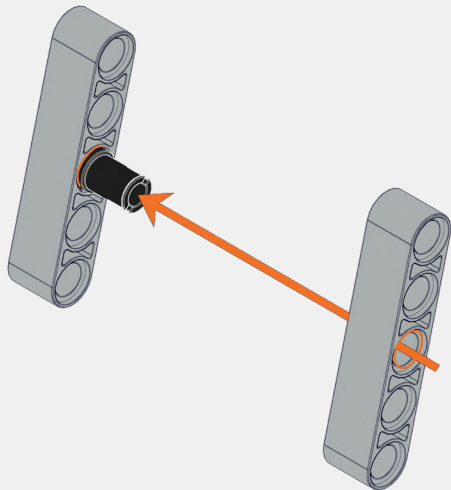
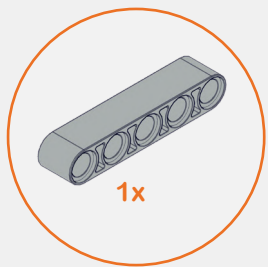
StrikerRobot  
Assembly Instructions

## ▽ Stage 2

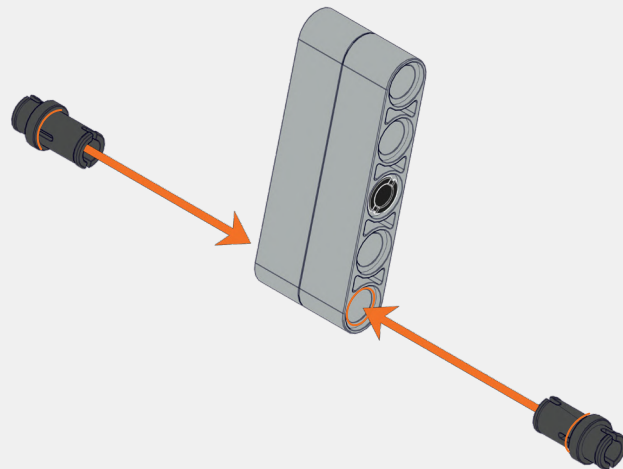




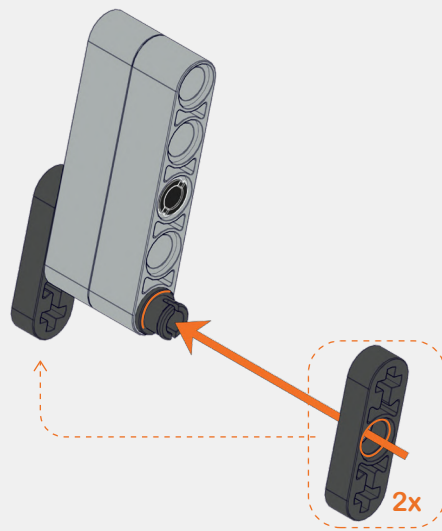
1



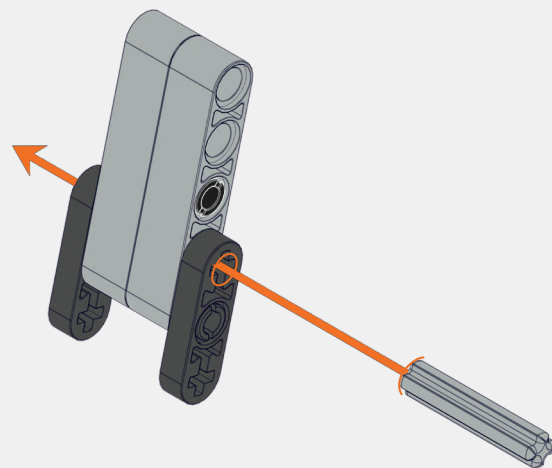
2



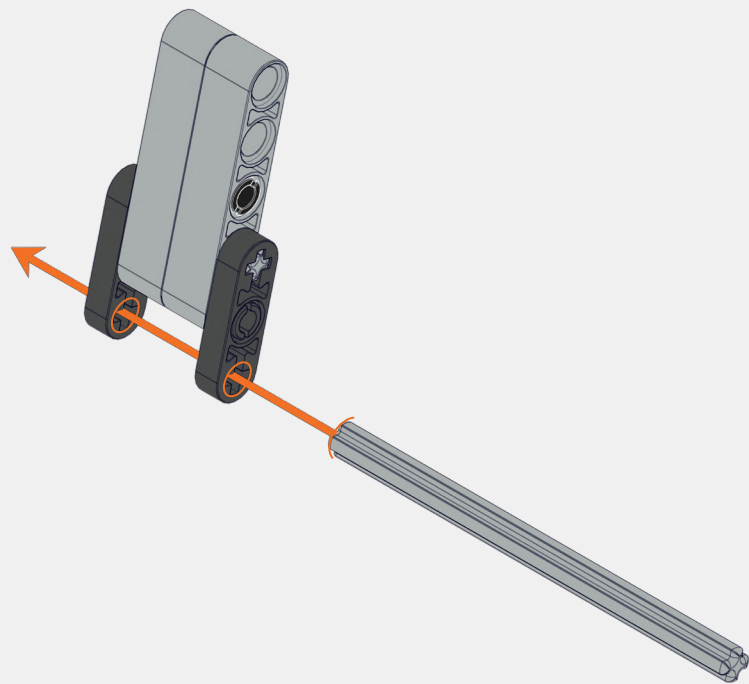
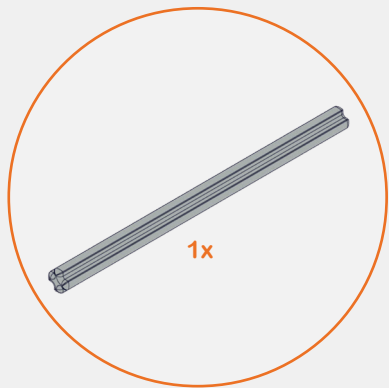
3



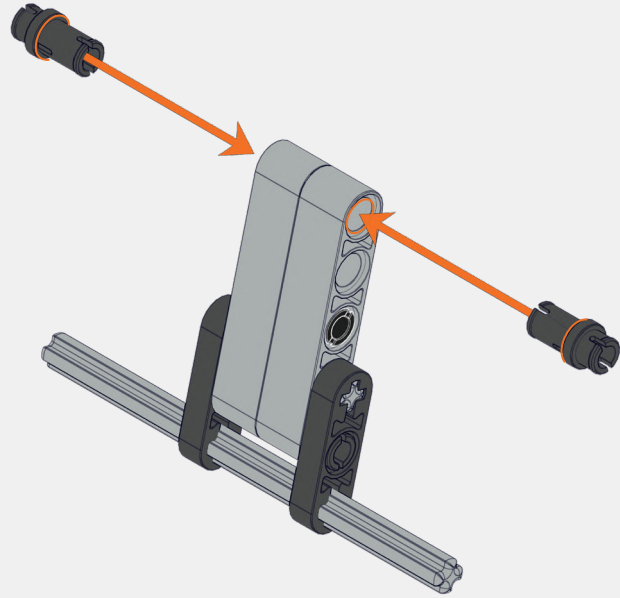
4



5

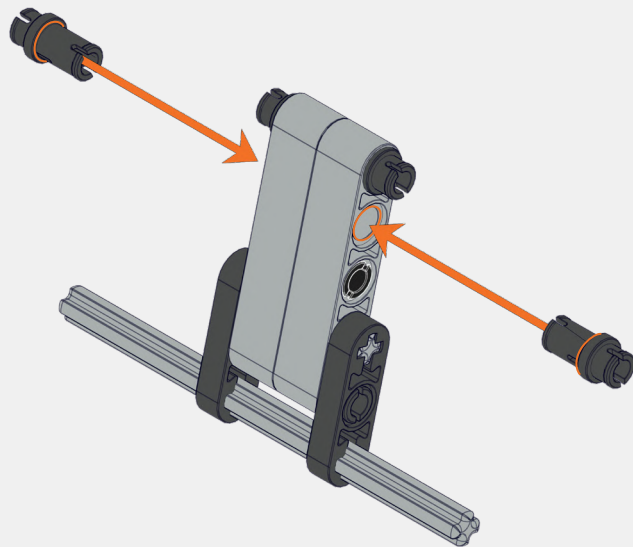


6

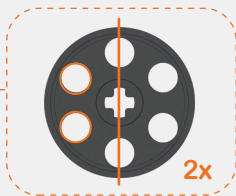


7

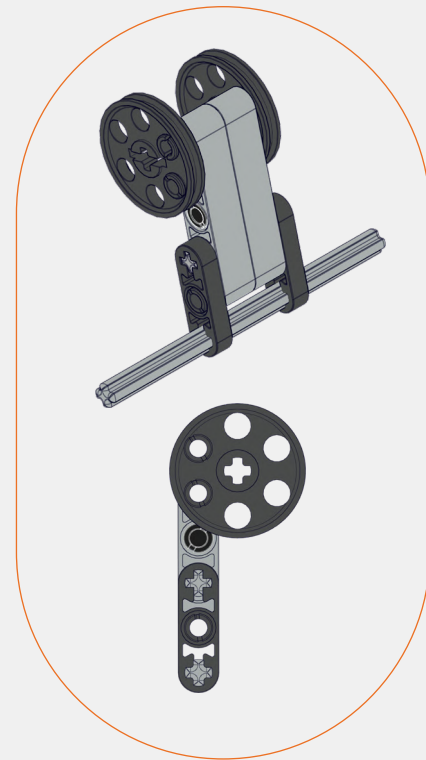
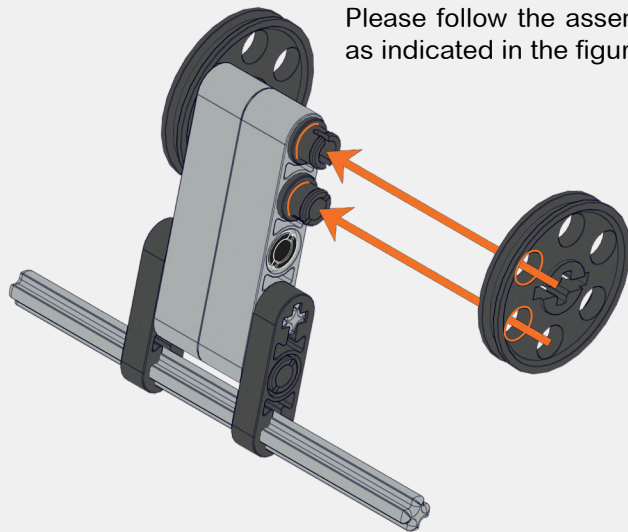




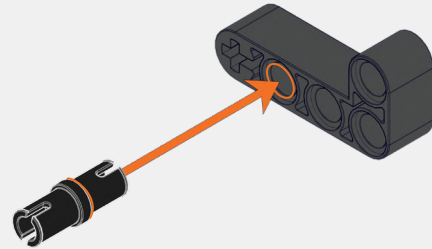
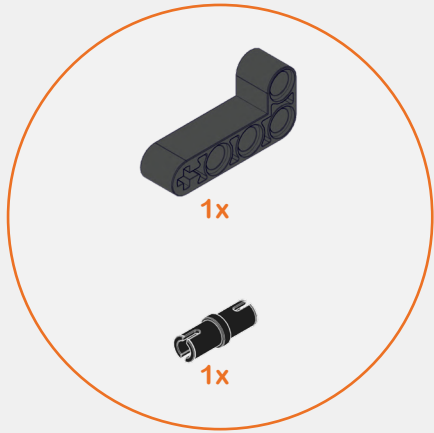
8



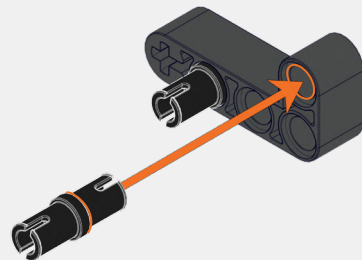
Please follow the assembly procedure as indicated in the figure.



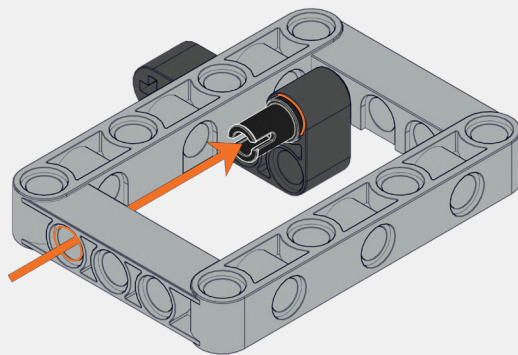
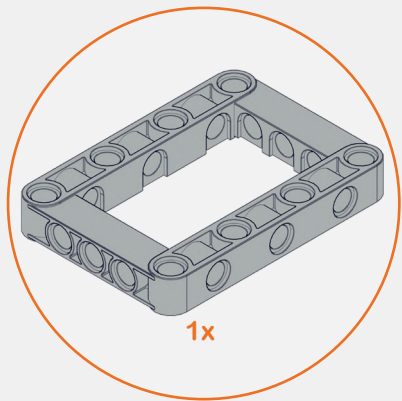
9



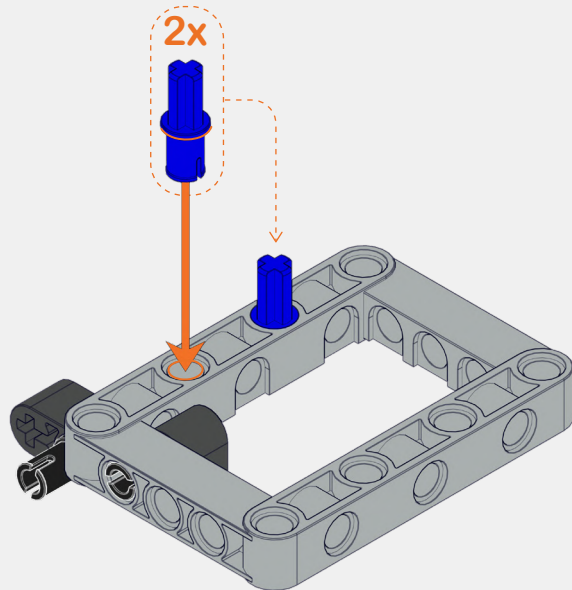
10



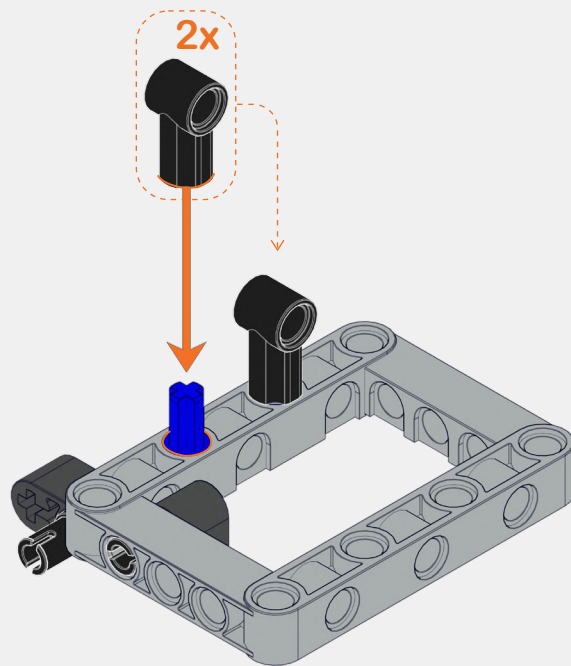
11



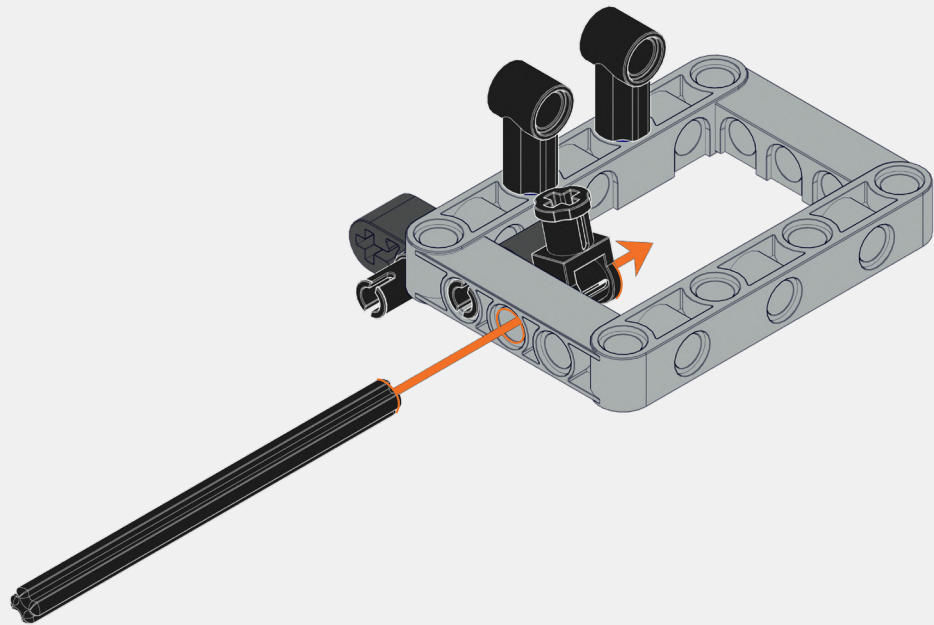
12



13

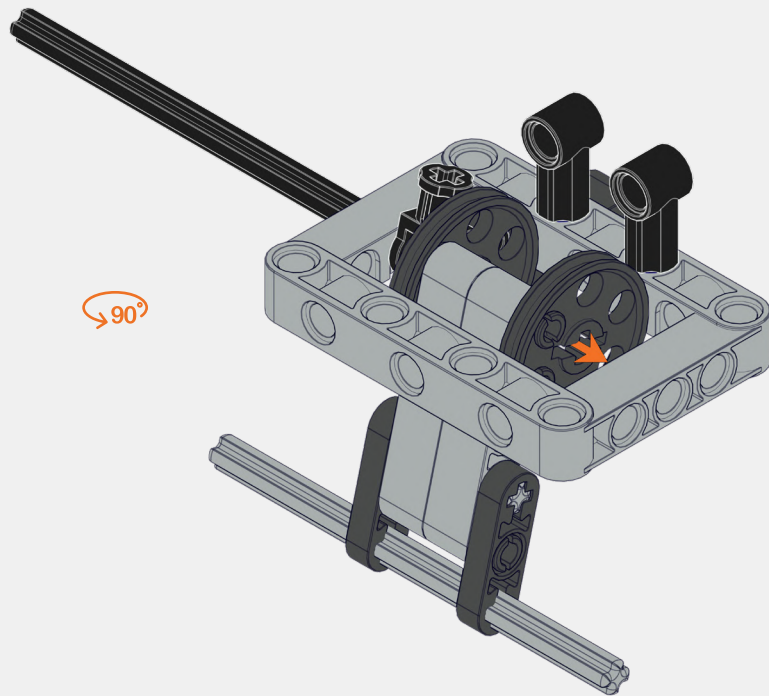
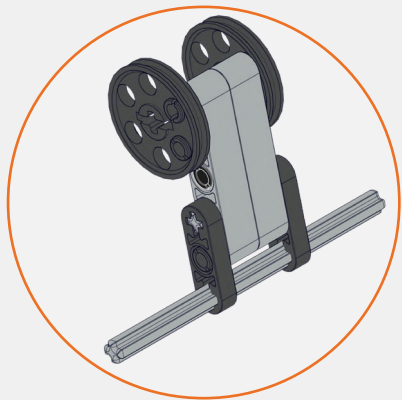


14

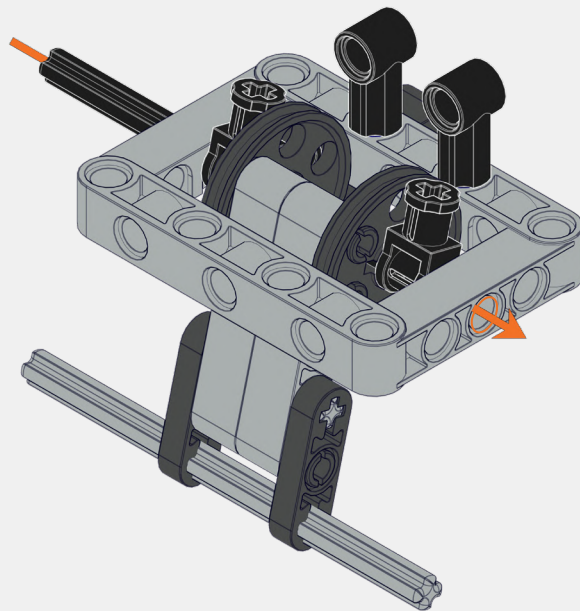


15

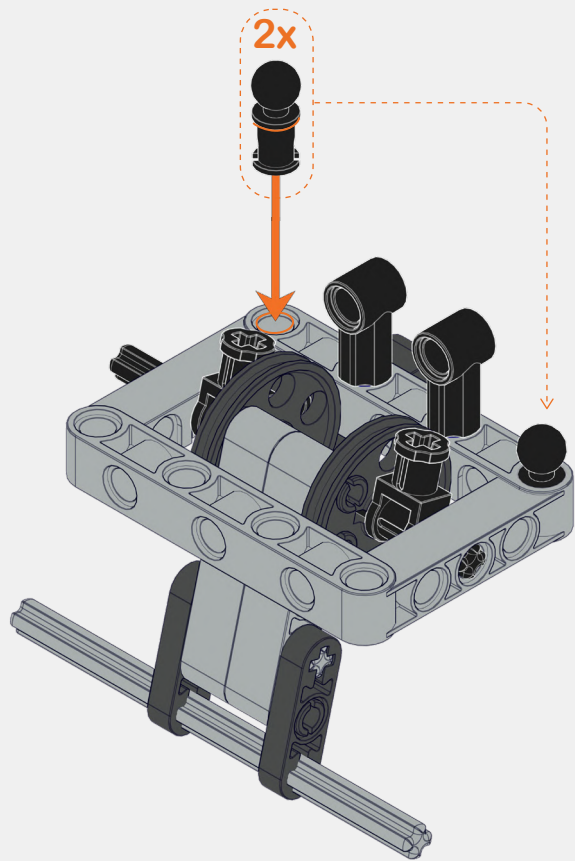




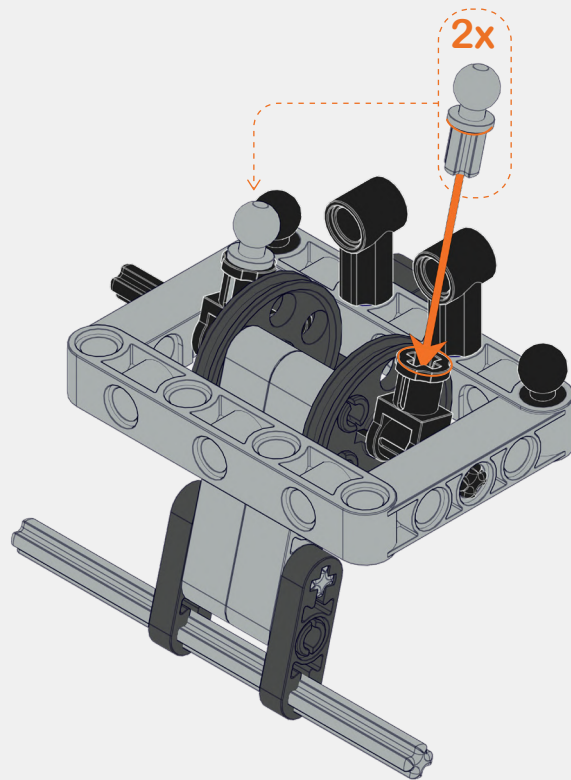
16



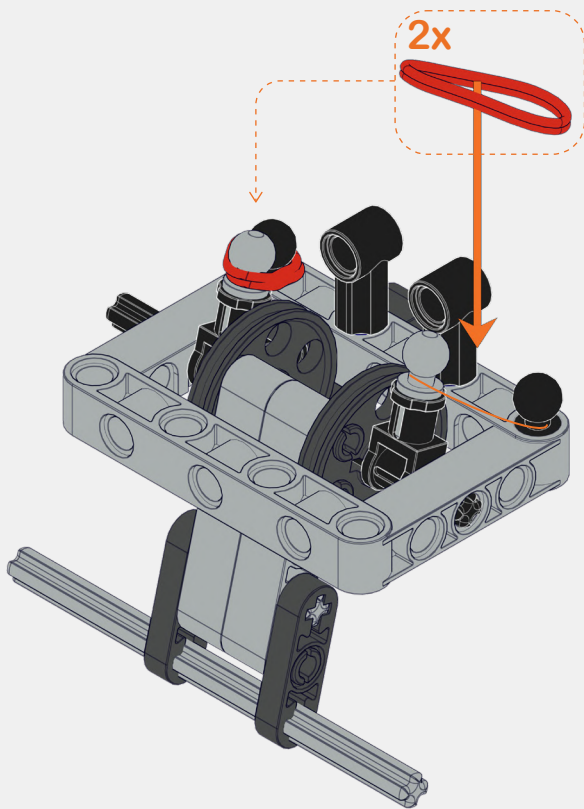
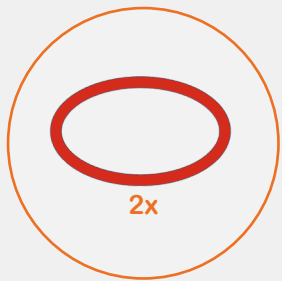
17



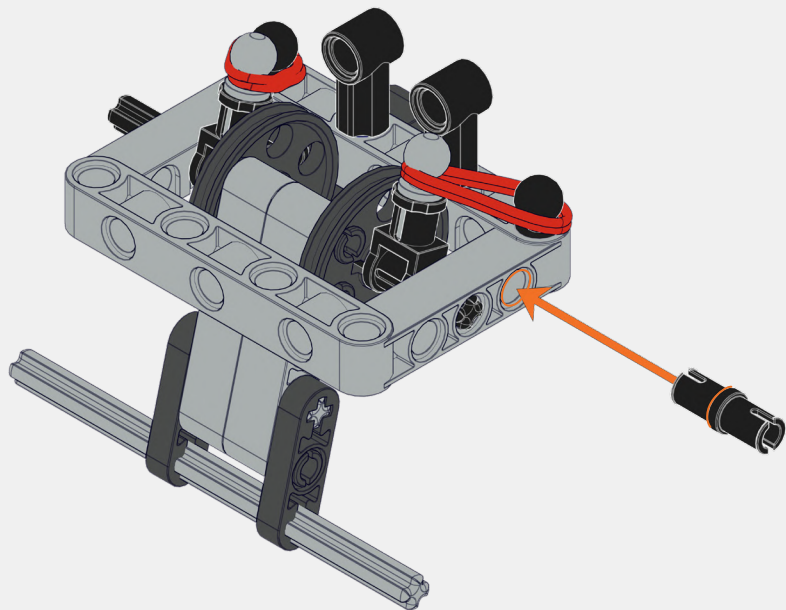
18



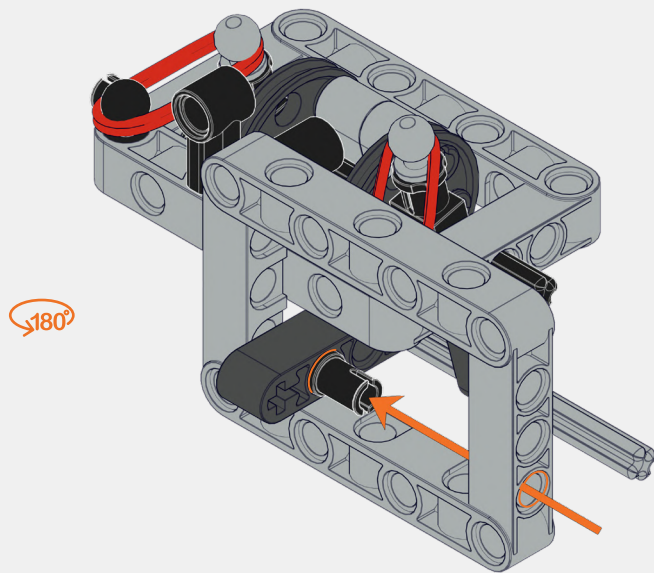
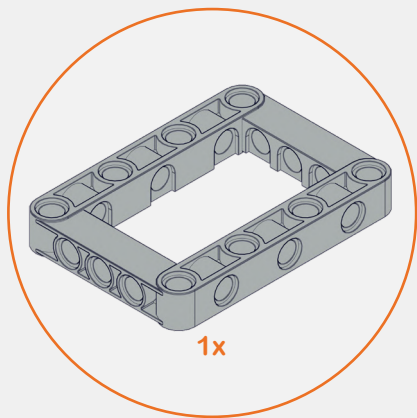
19



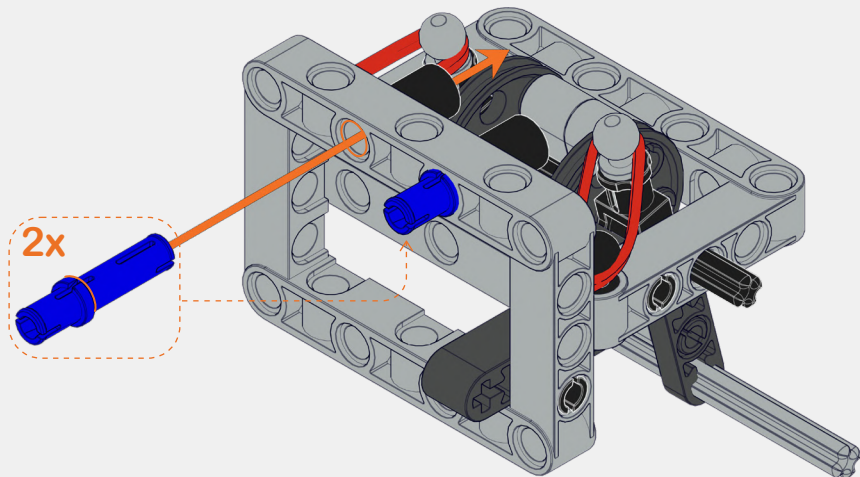
20



21

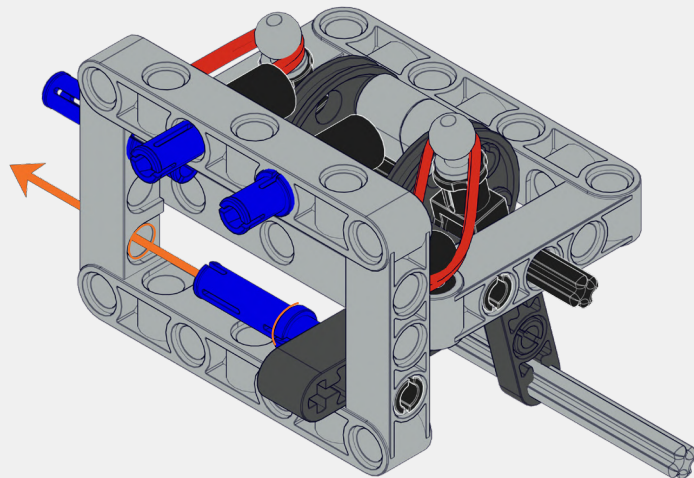


22

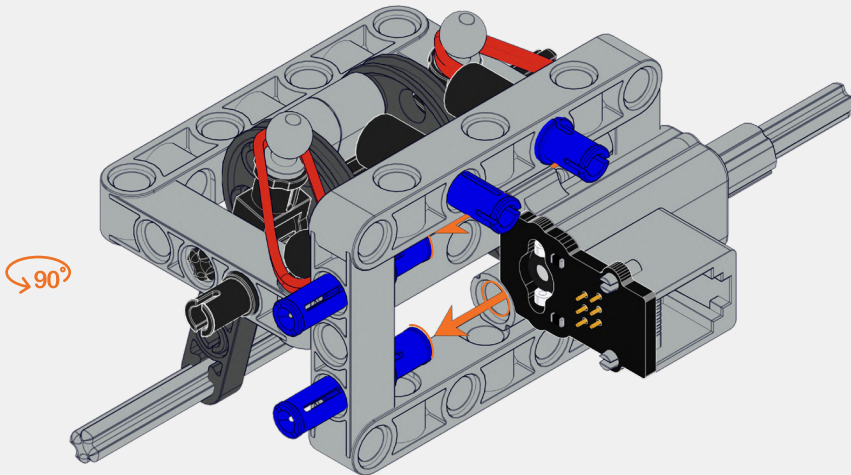
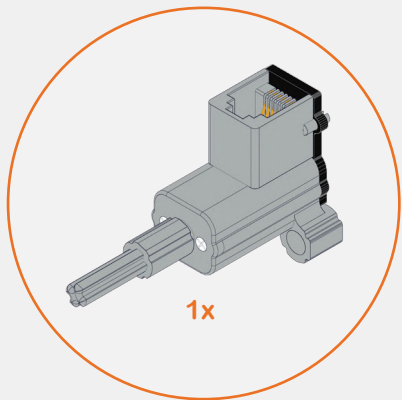


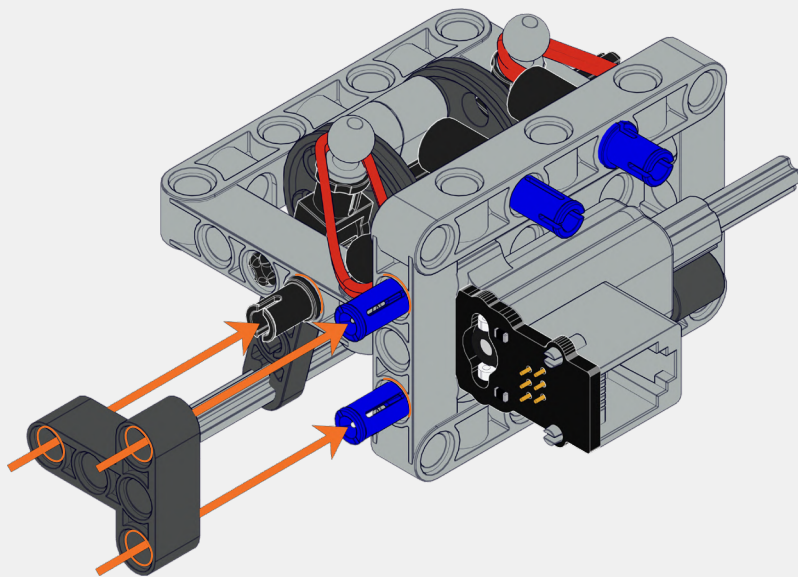
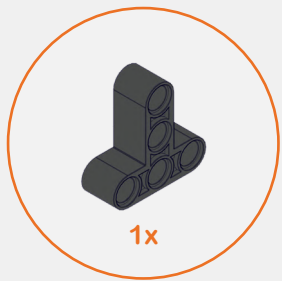
23



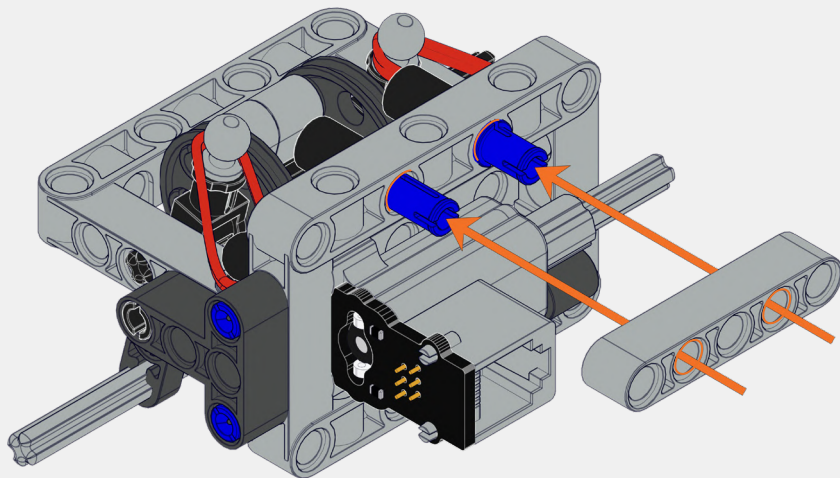
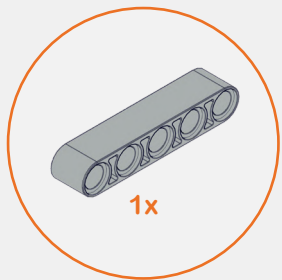


24

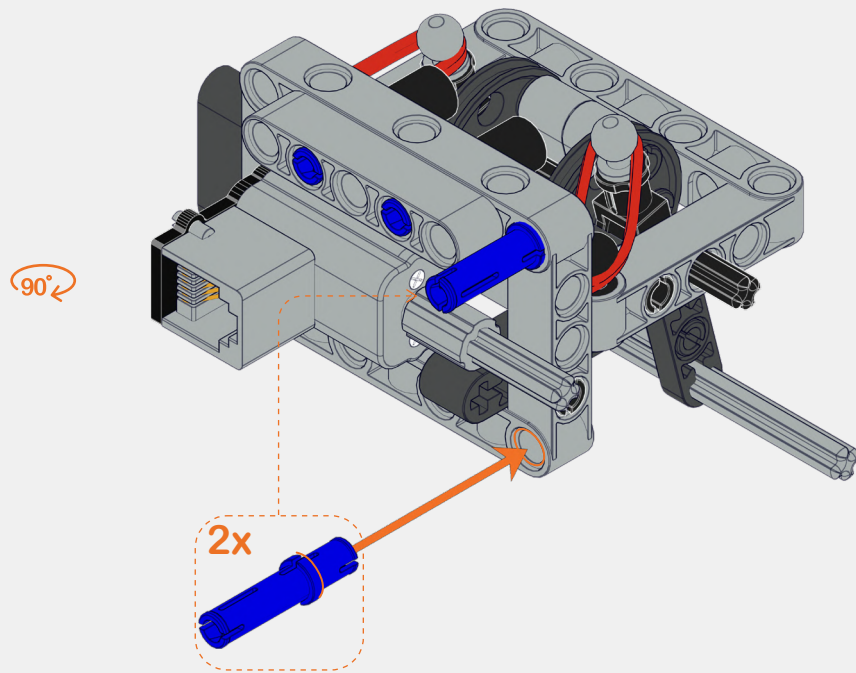




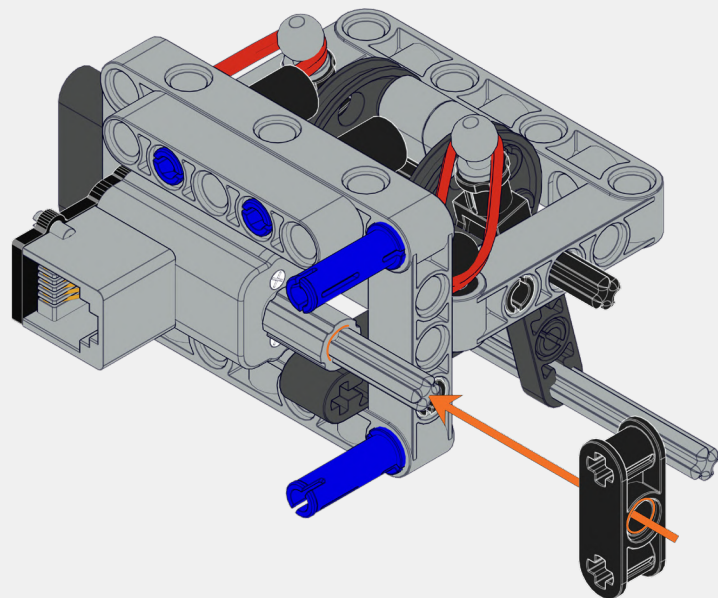
26



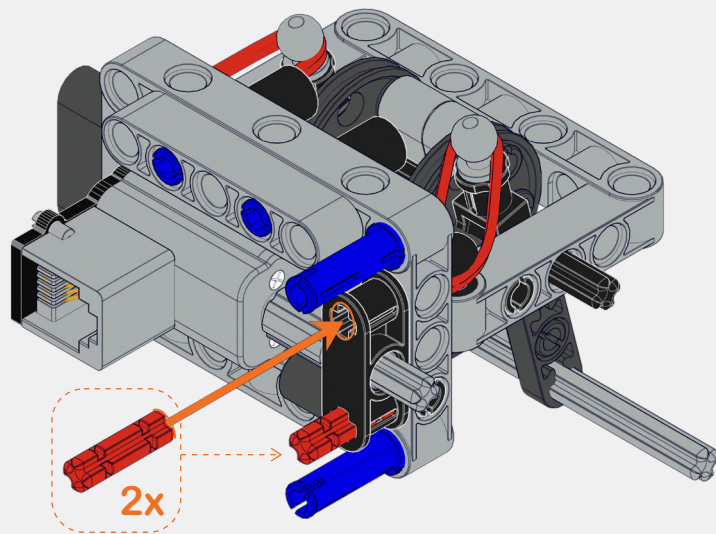
27



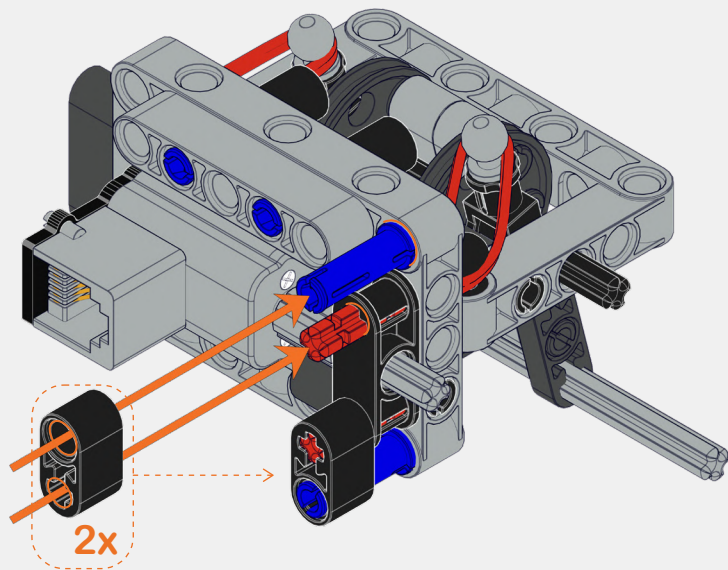
28



29

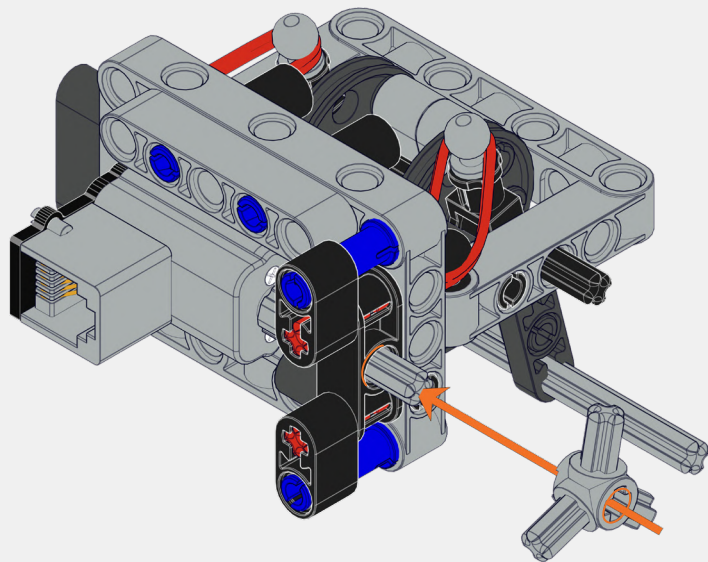


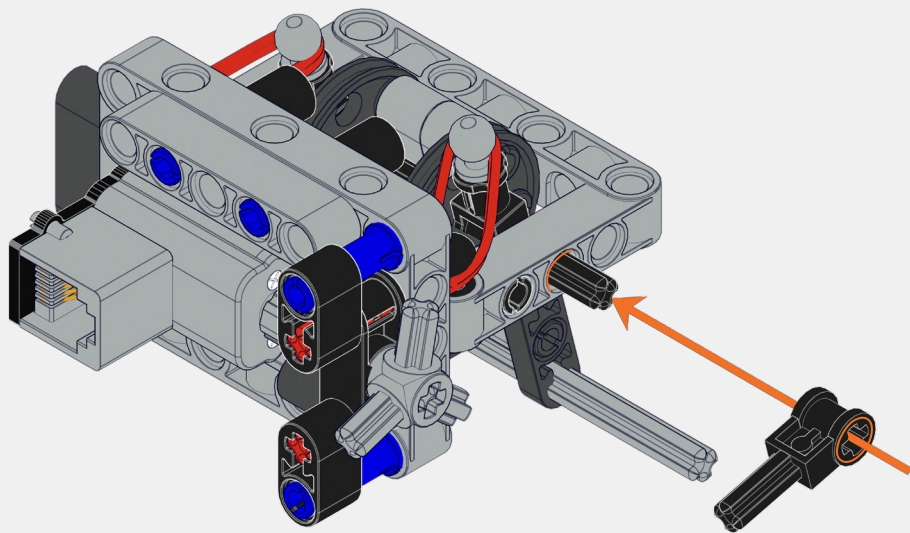
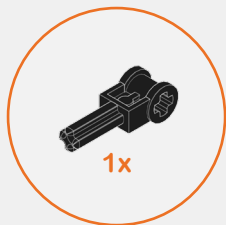
30



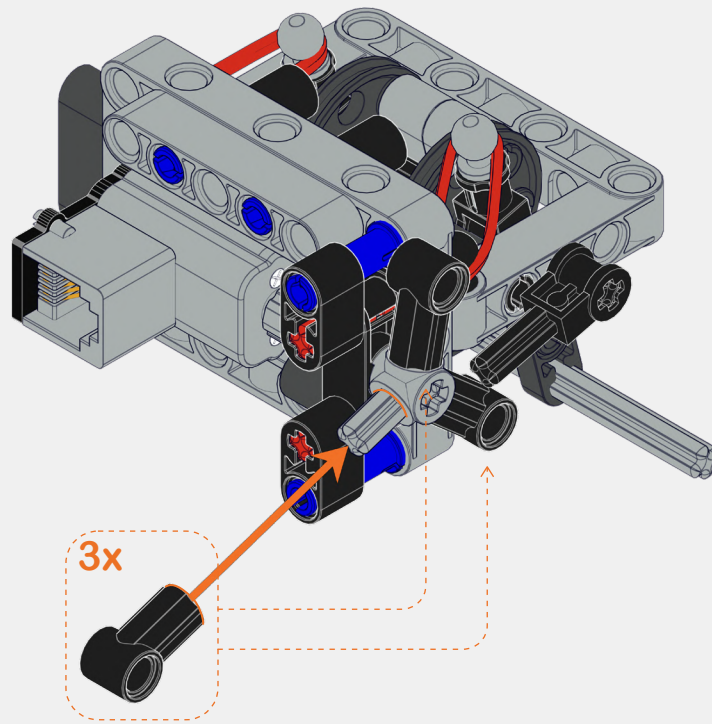
31



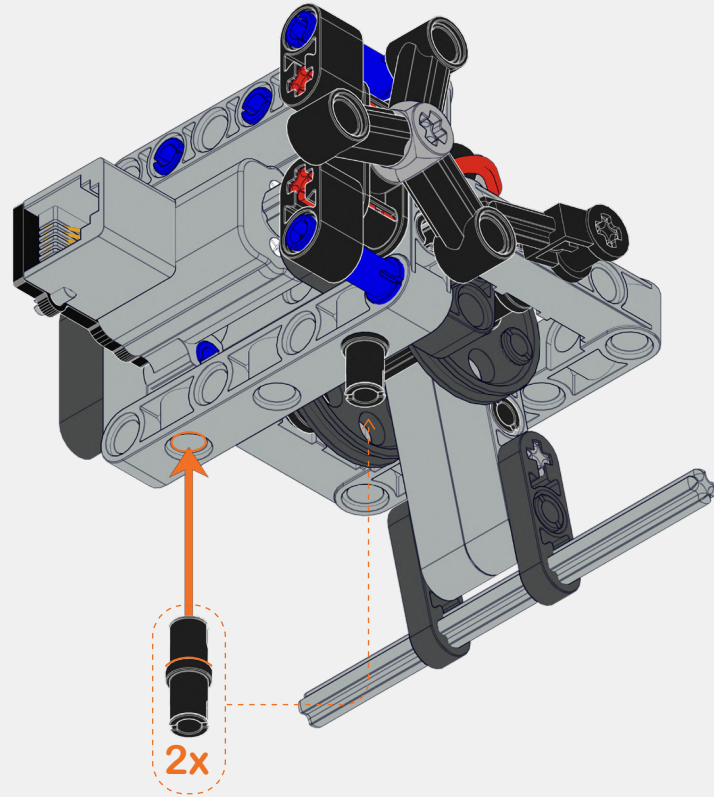




33



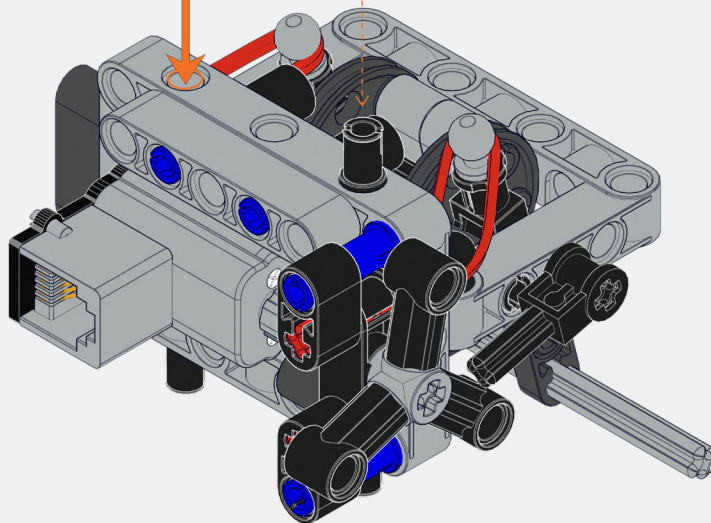
34



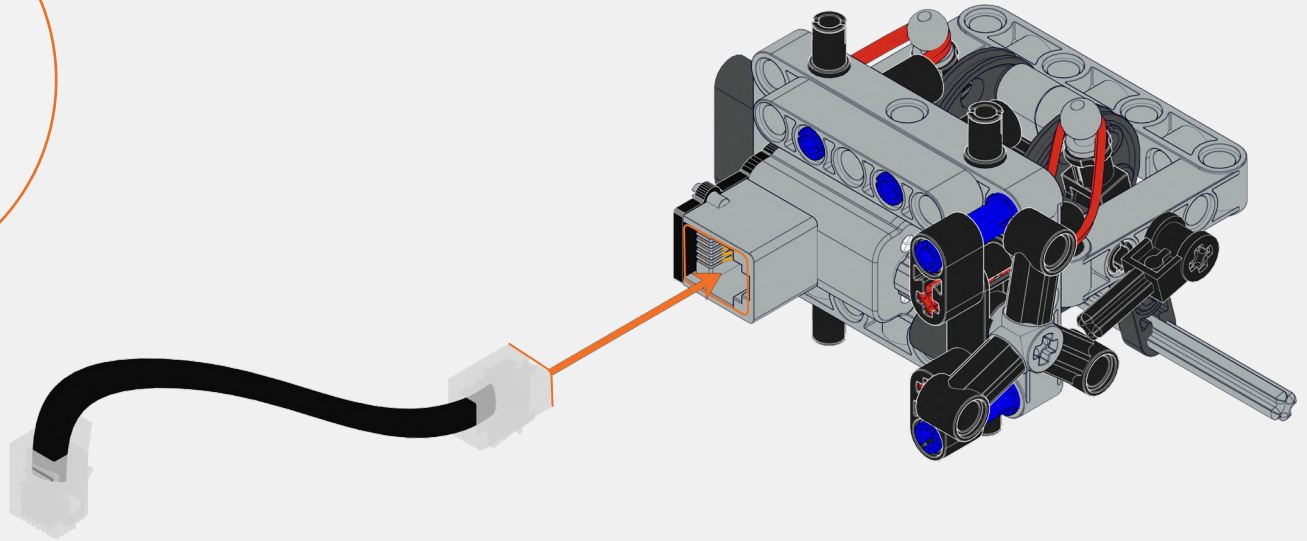
35



2x



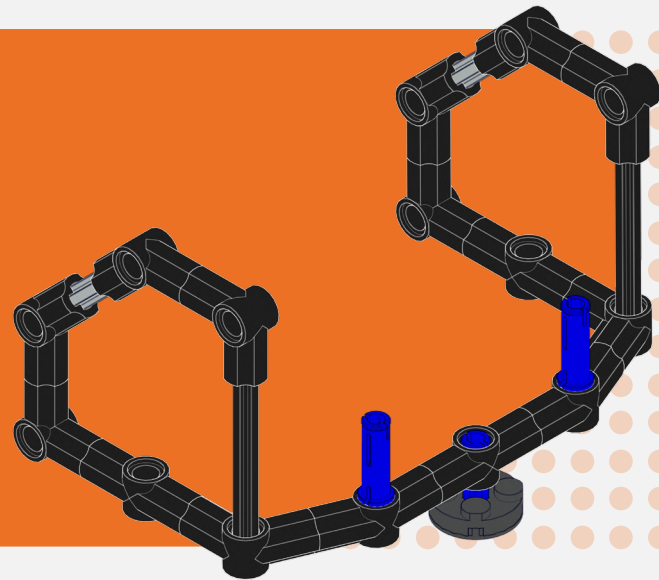
36

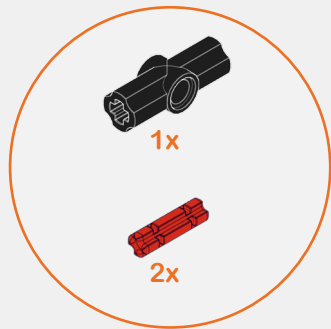


37

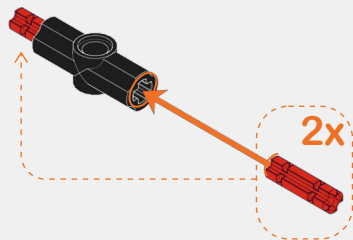
StrikerRobot  
Assembly Instructions

▽ Stage 3

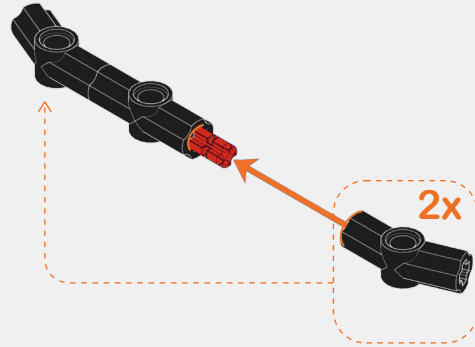




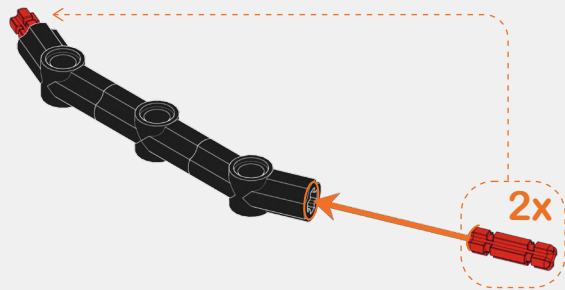
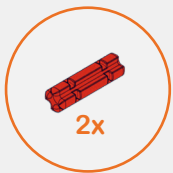
1



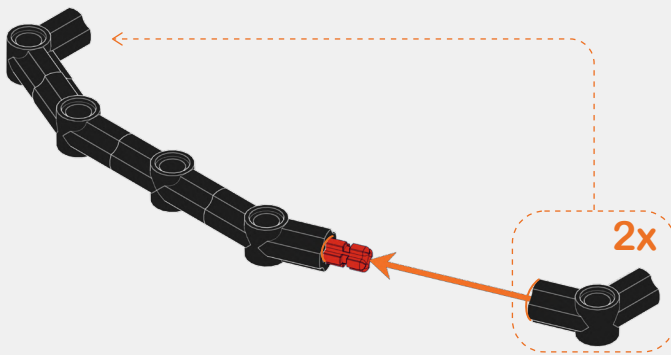




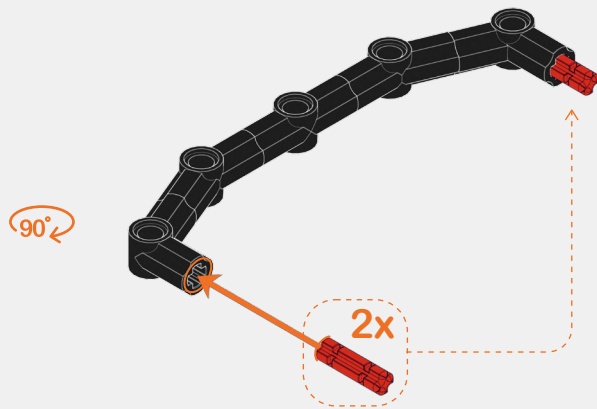
2



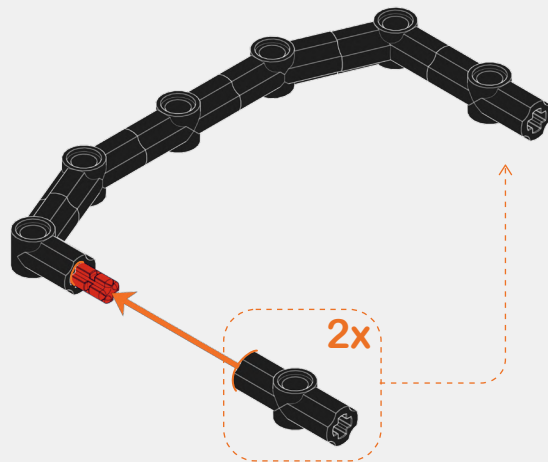
3



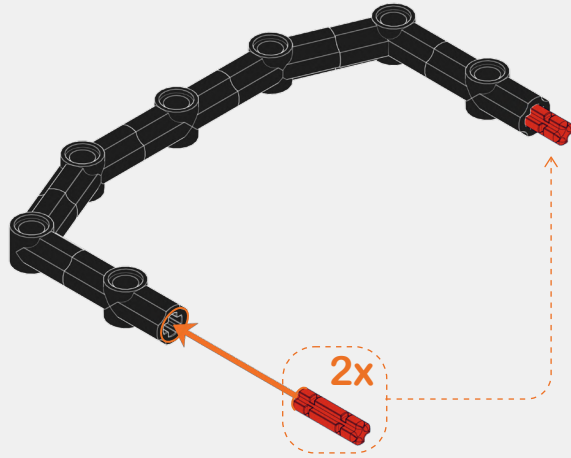
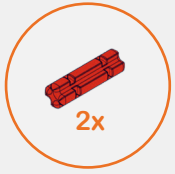
4



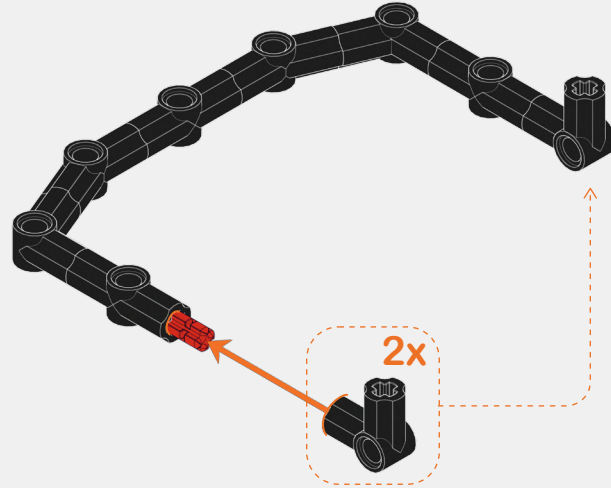
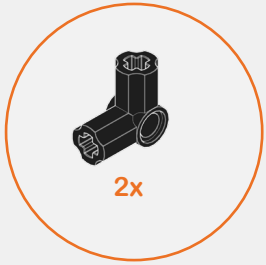
5



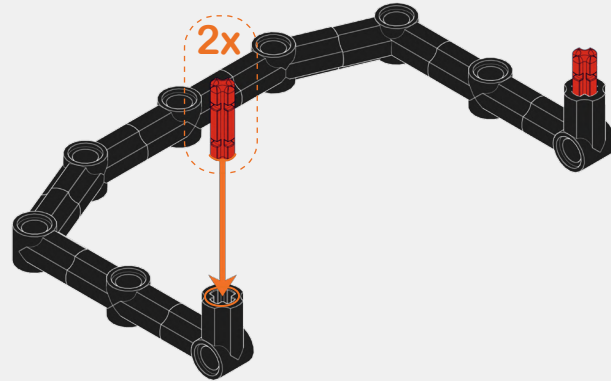
6



7

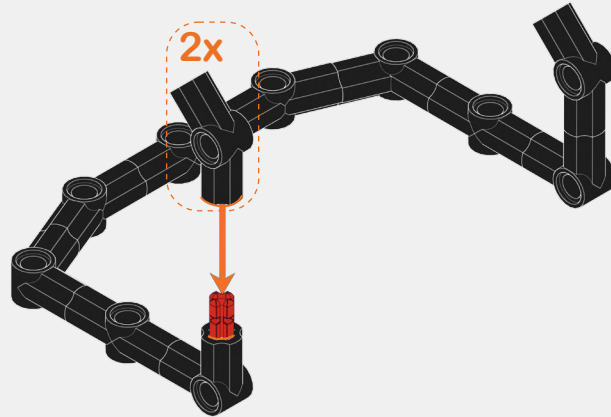
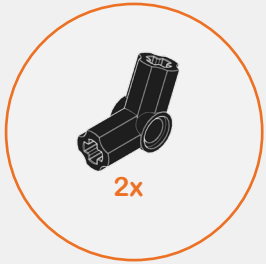


8

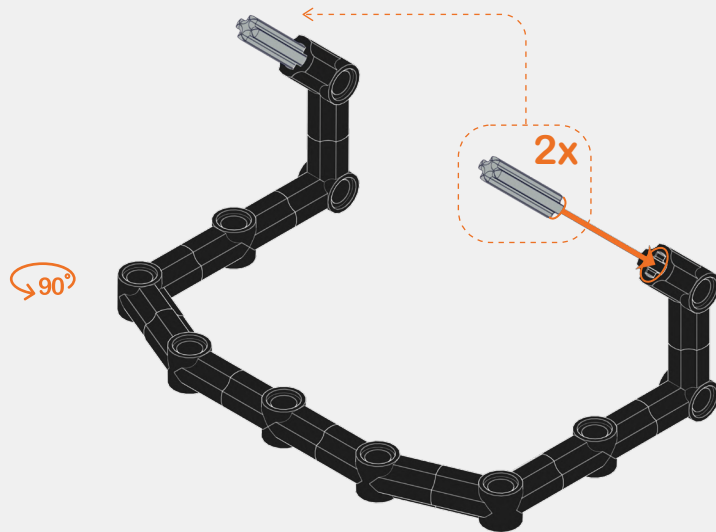


9

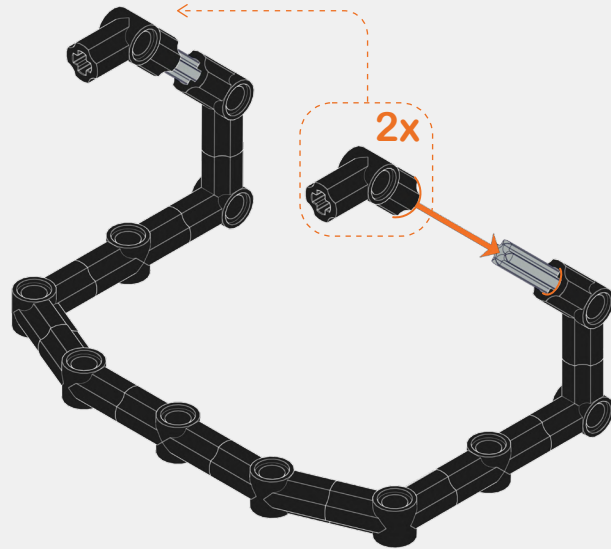




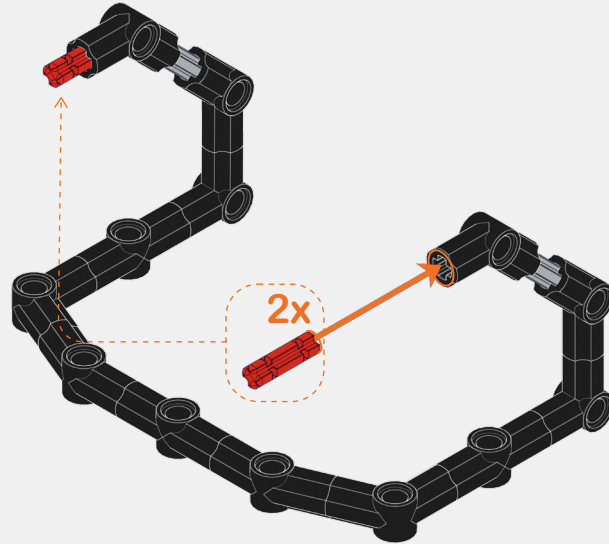
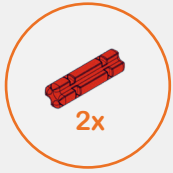
10



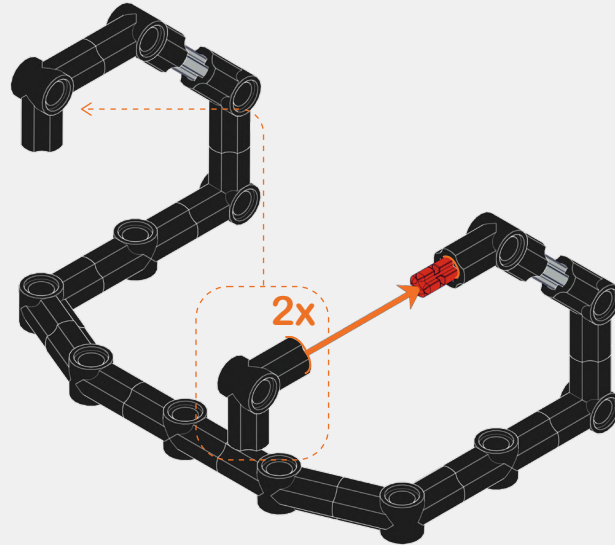
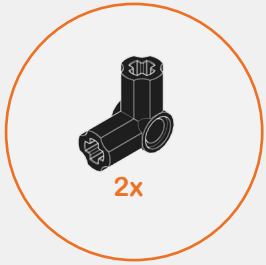
11



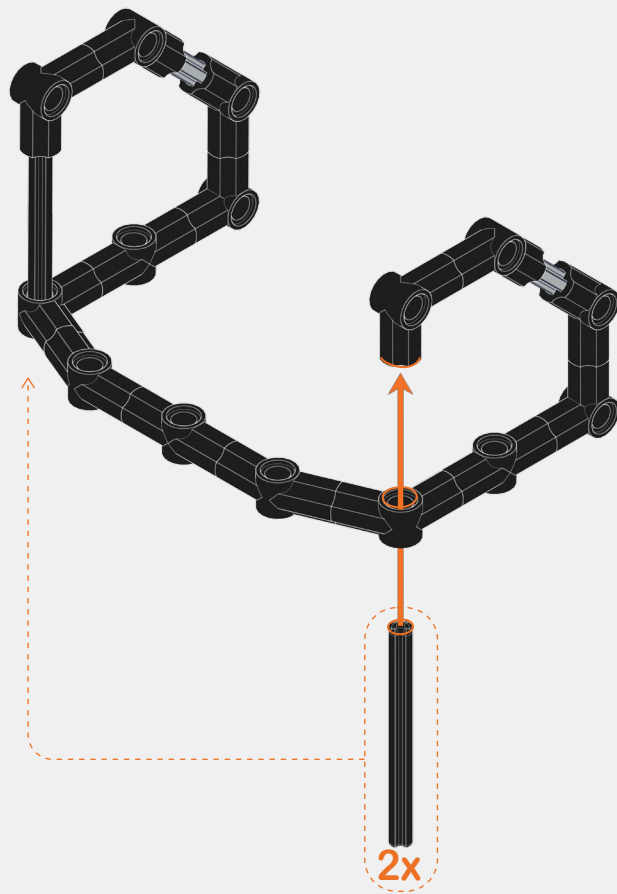
12



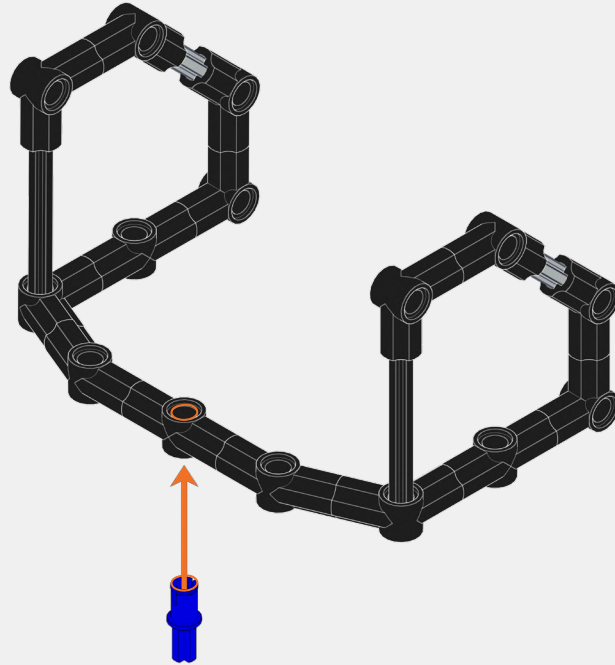
13



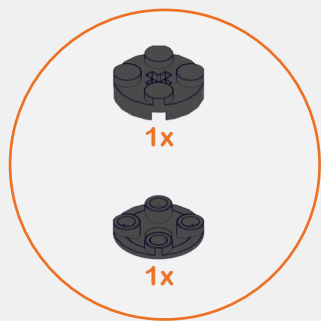
14



15

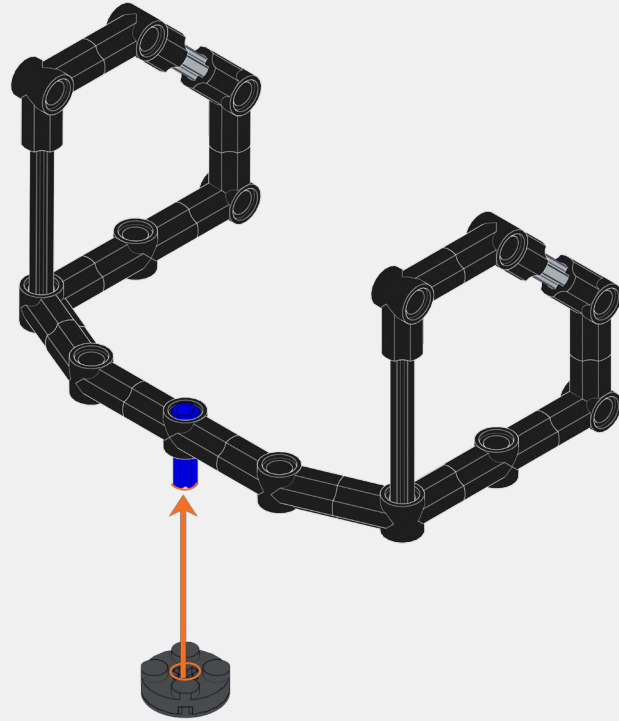


16

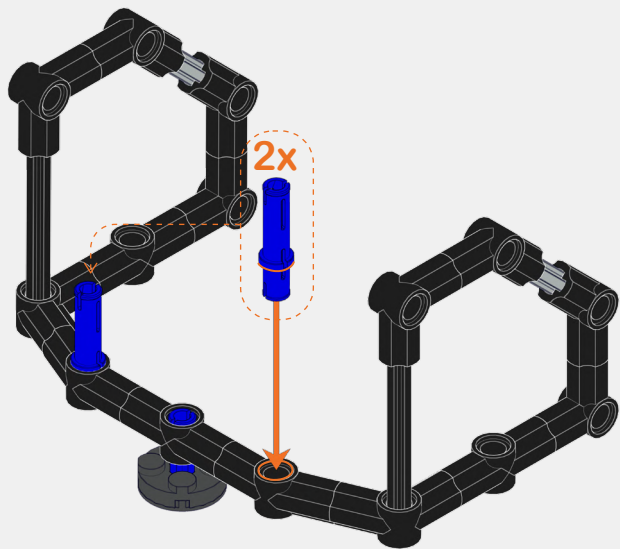


17





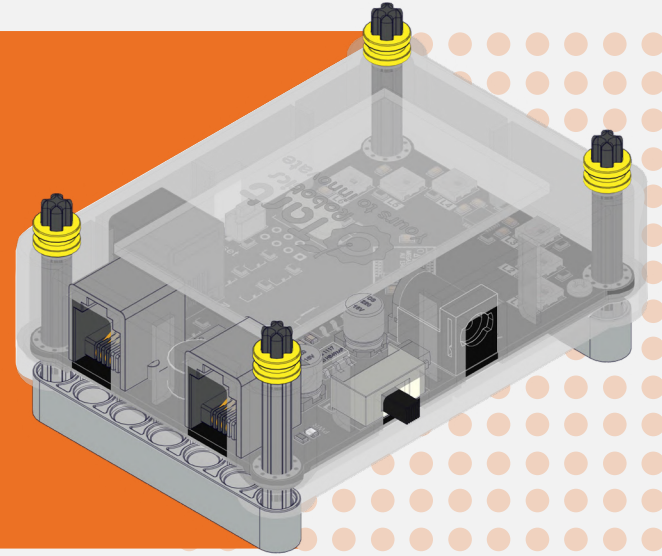
18



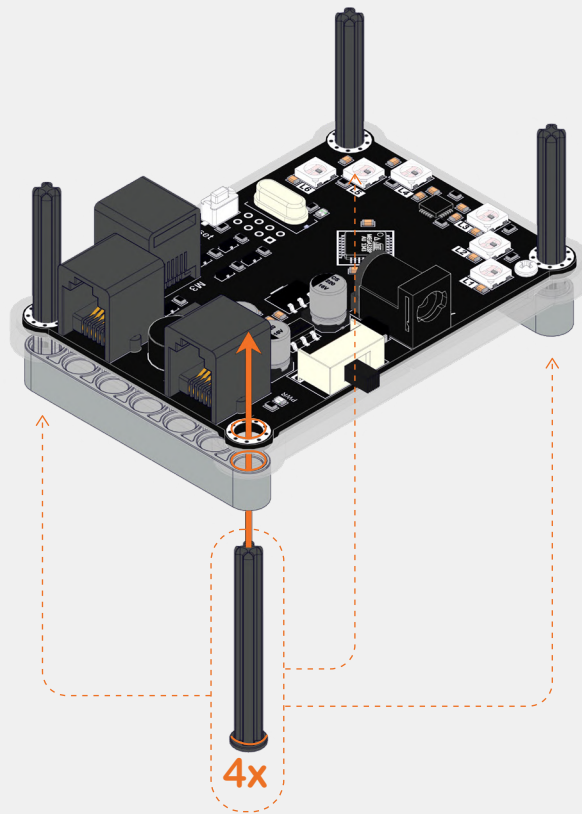
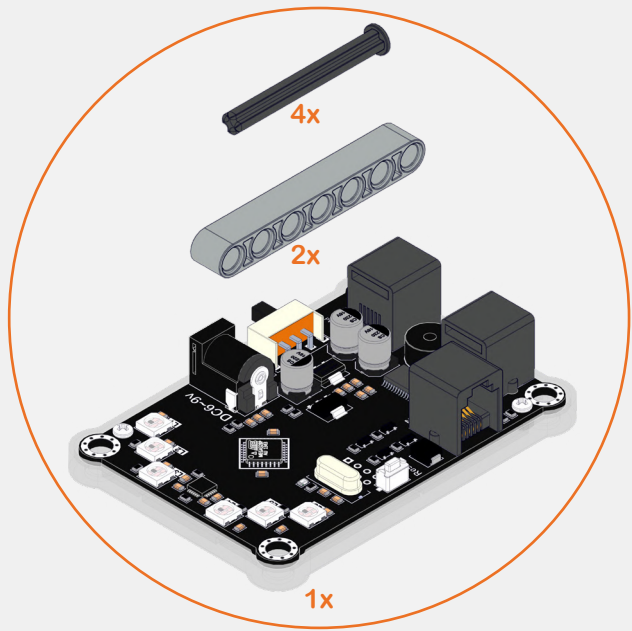
19

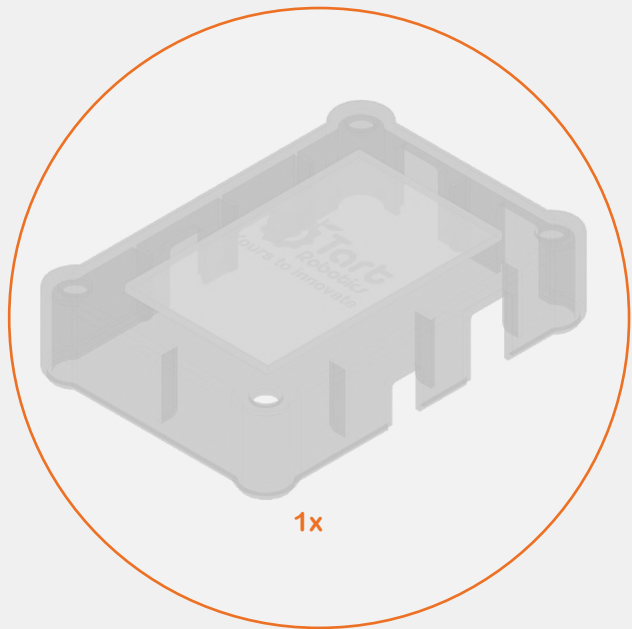
StrikerRobot  
Assembly Instructions

▽ Stage 4

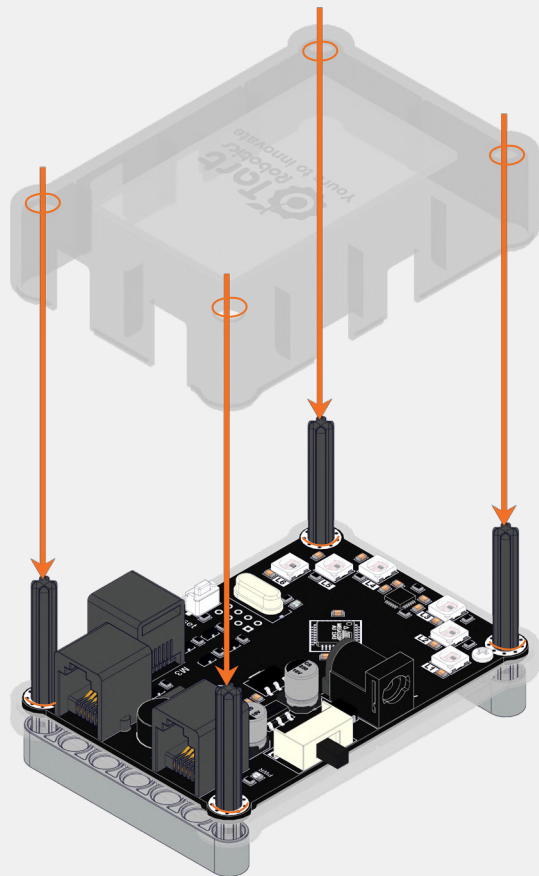


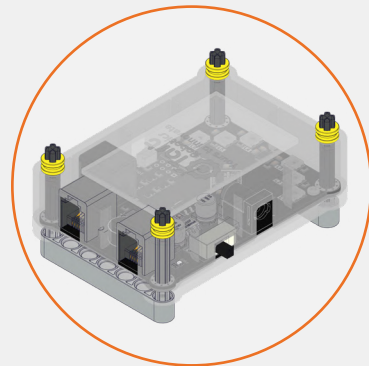
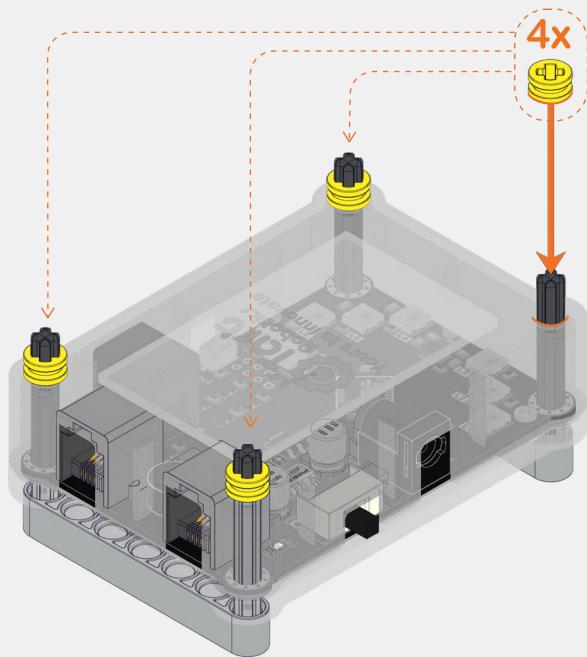
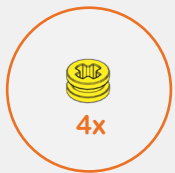
1





2

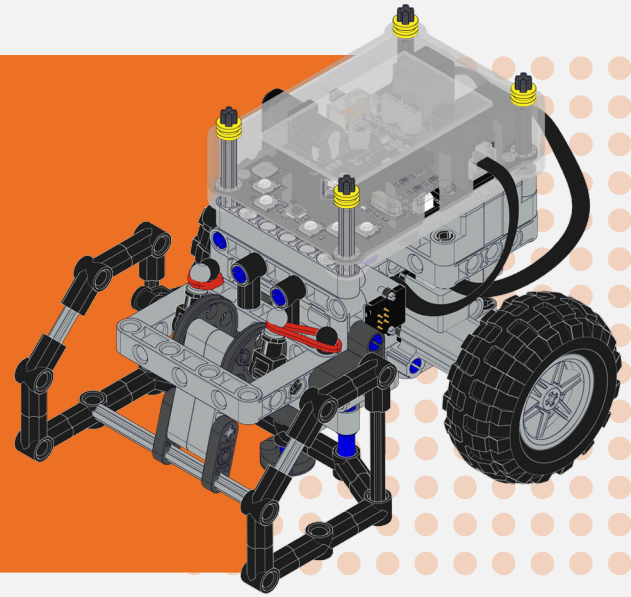


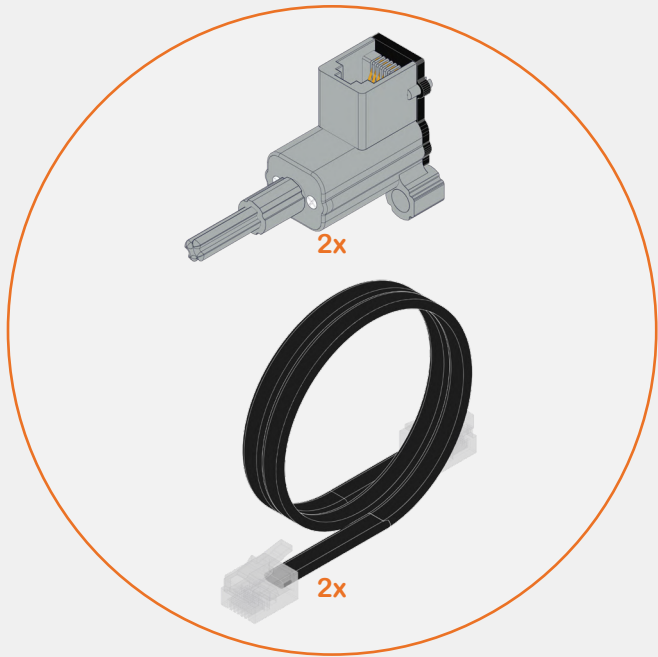


3

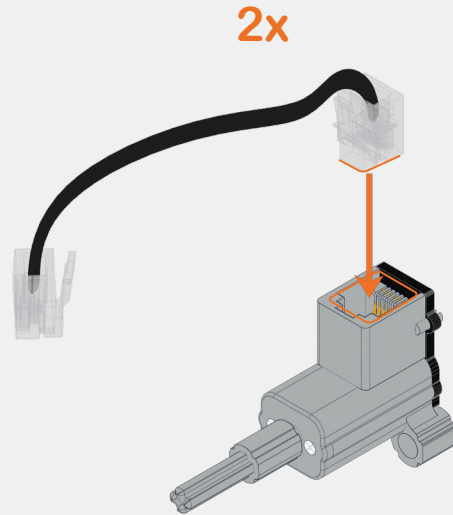
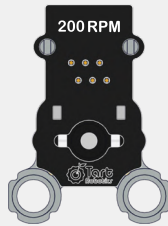
StrikerRobot  
Assembly Instructions

▽ Stage 5



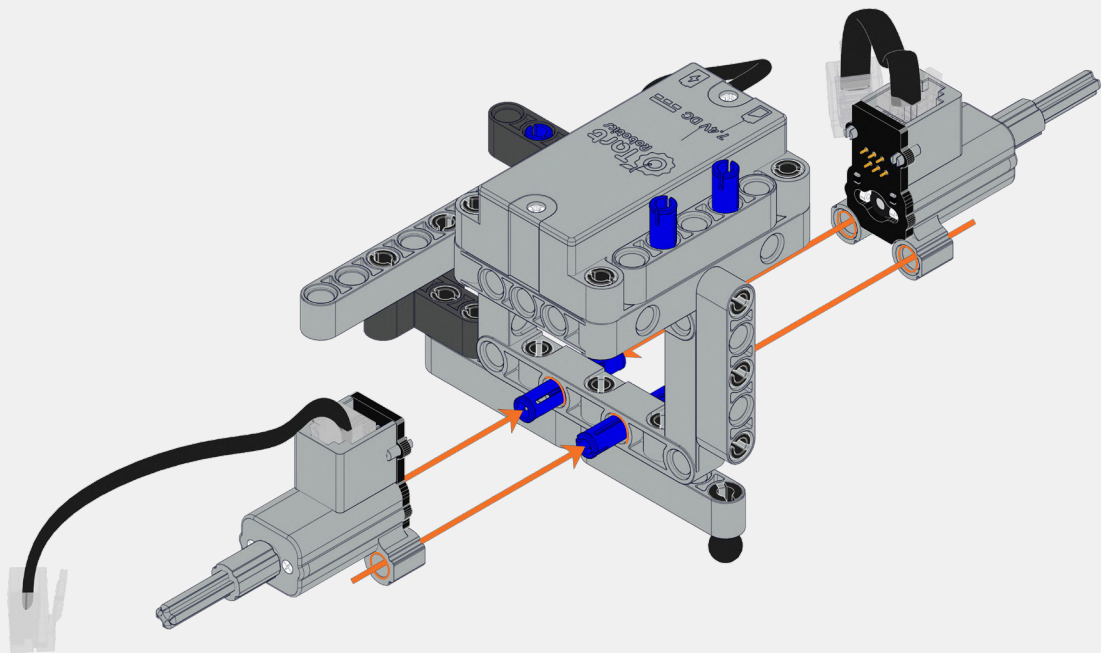


Use the 200 RPM motor

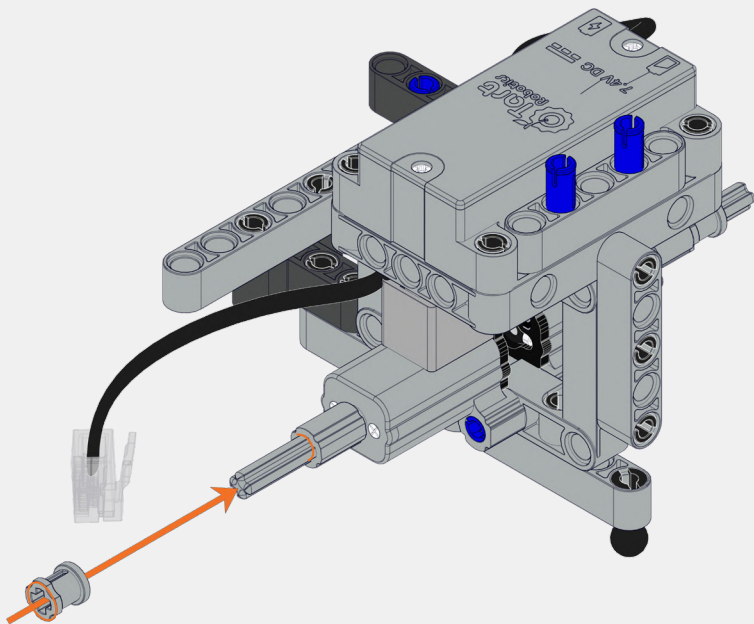


1

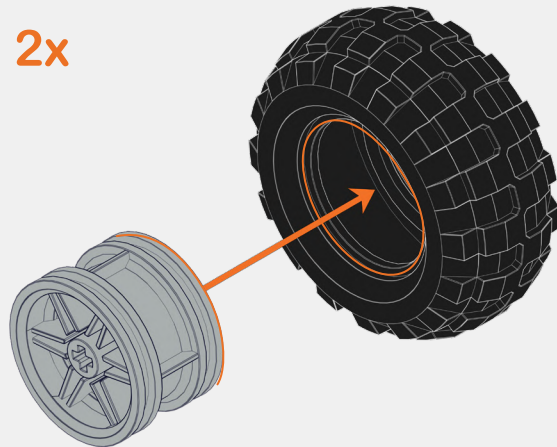
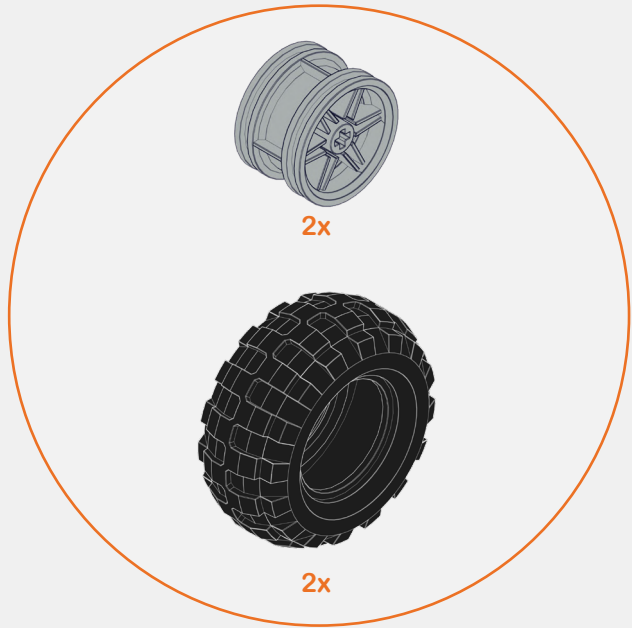




2

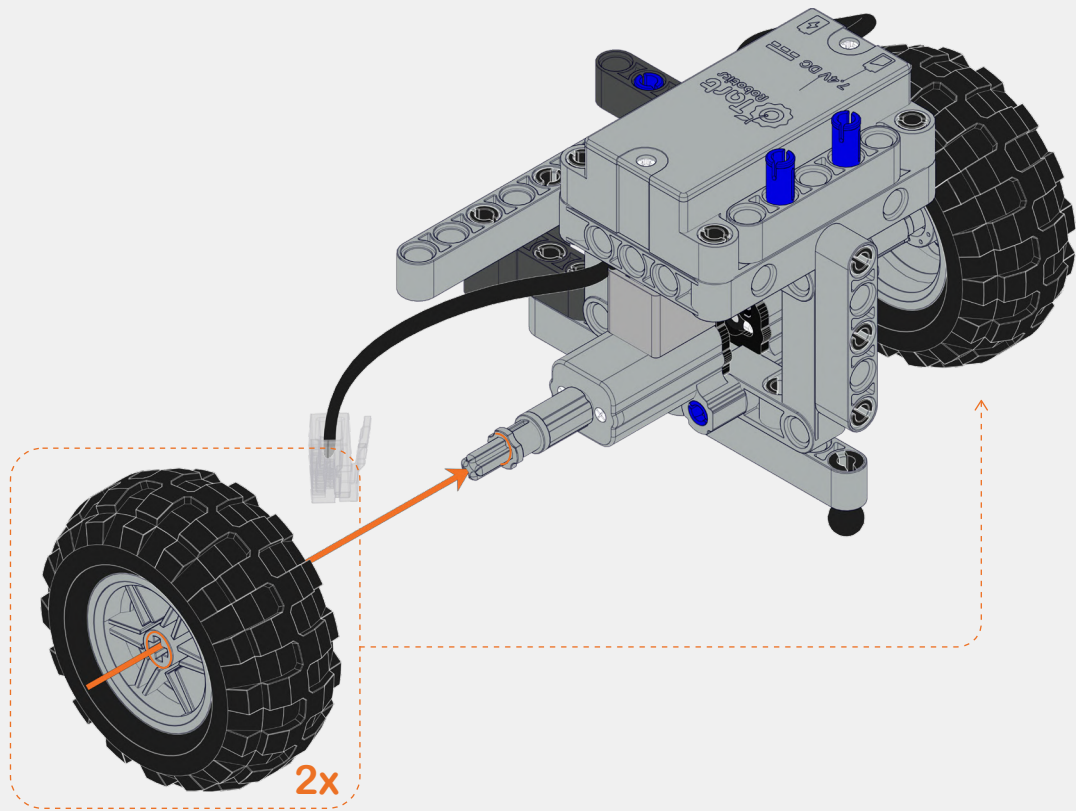


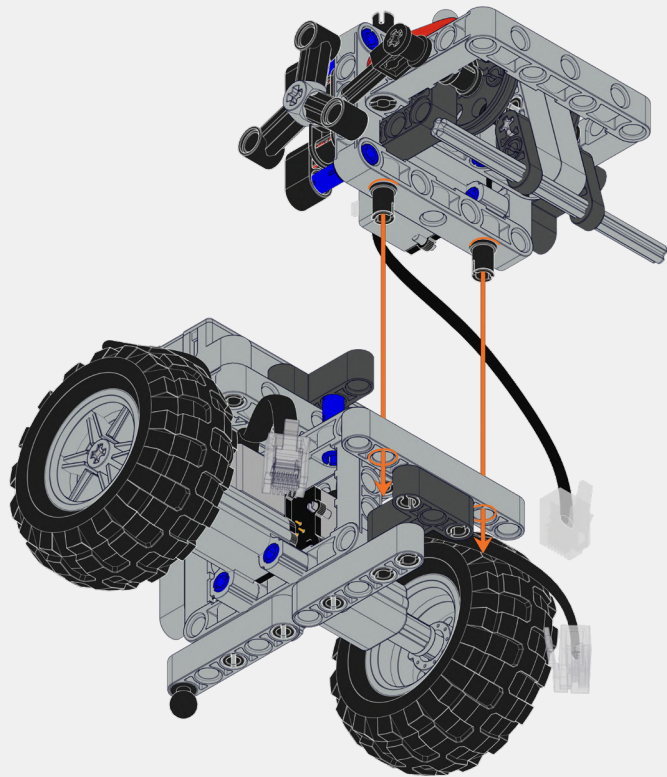
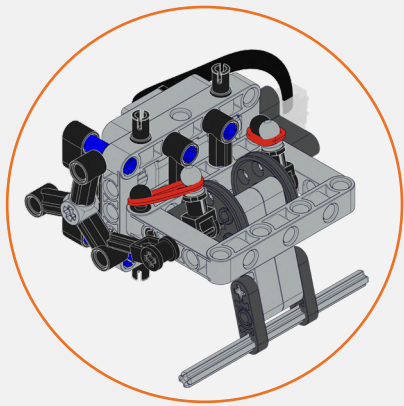
3



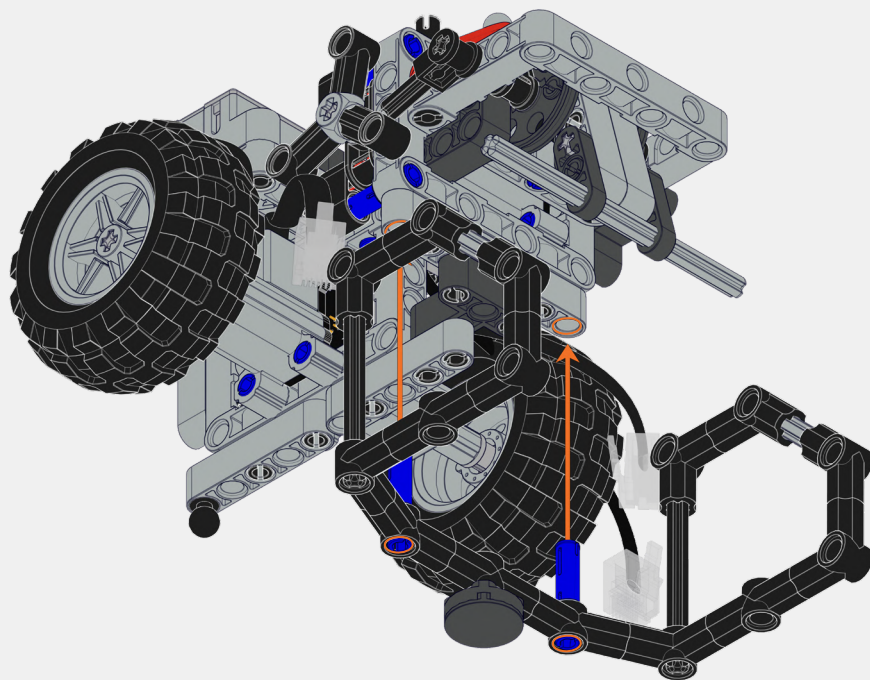
4

5

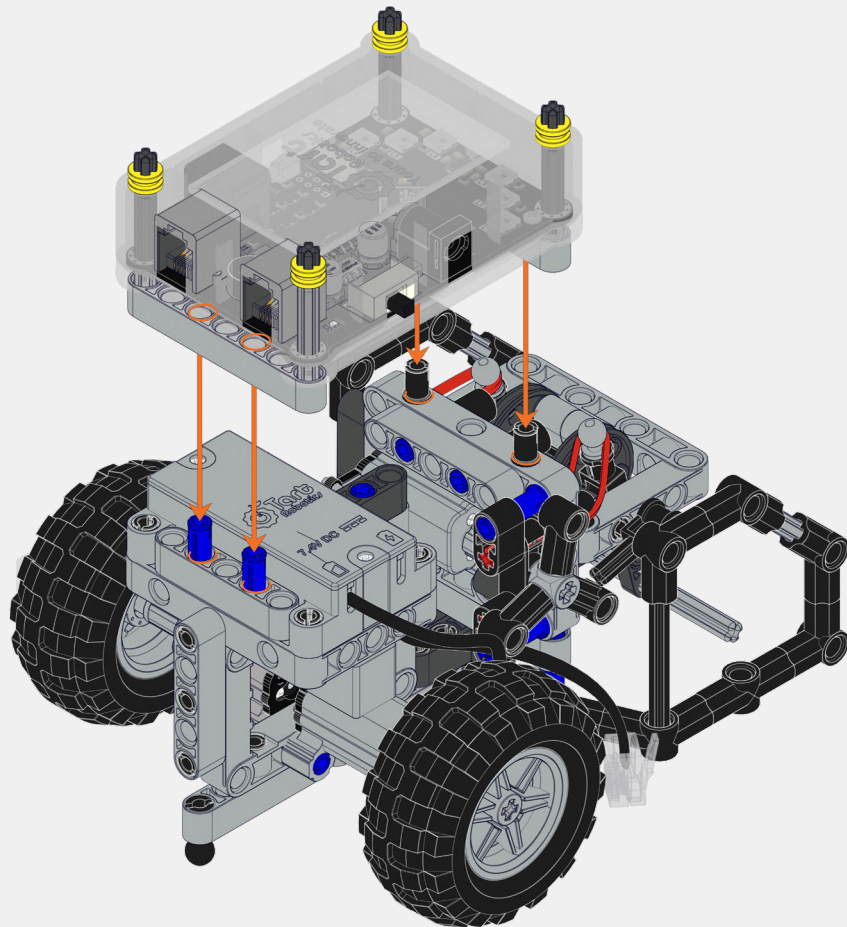
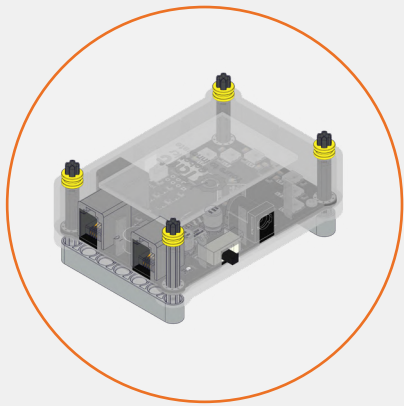




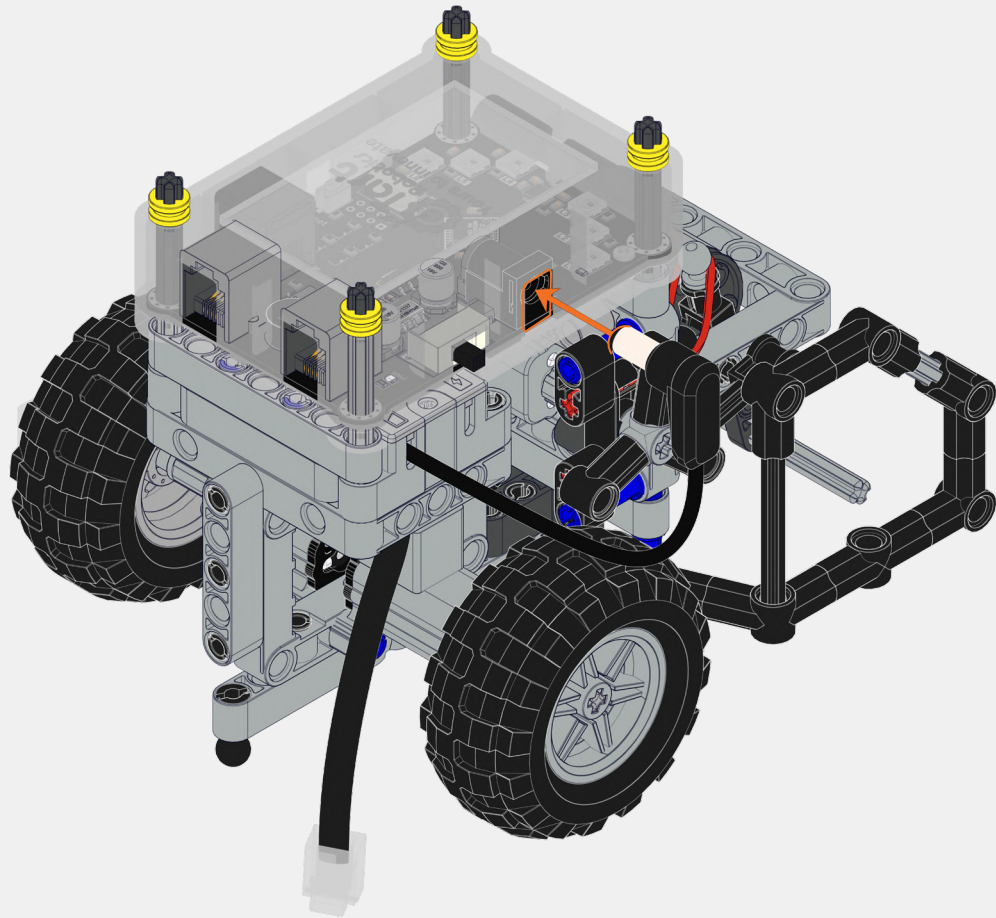
6



7

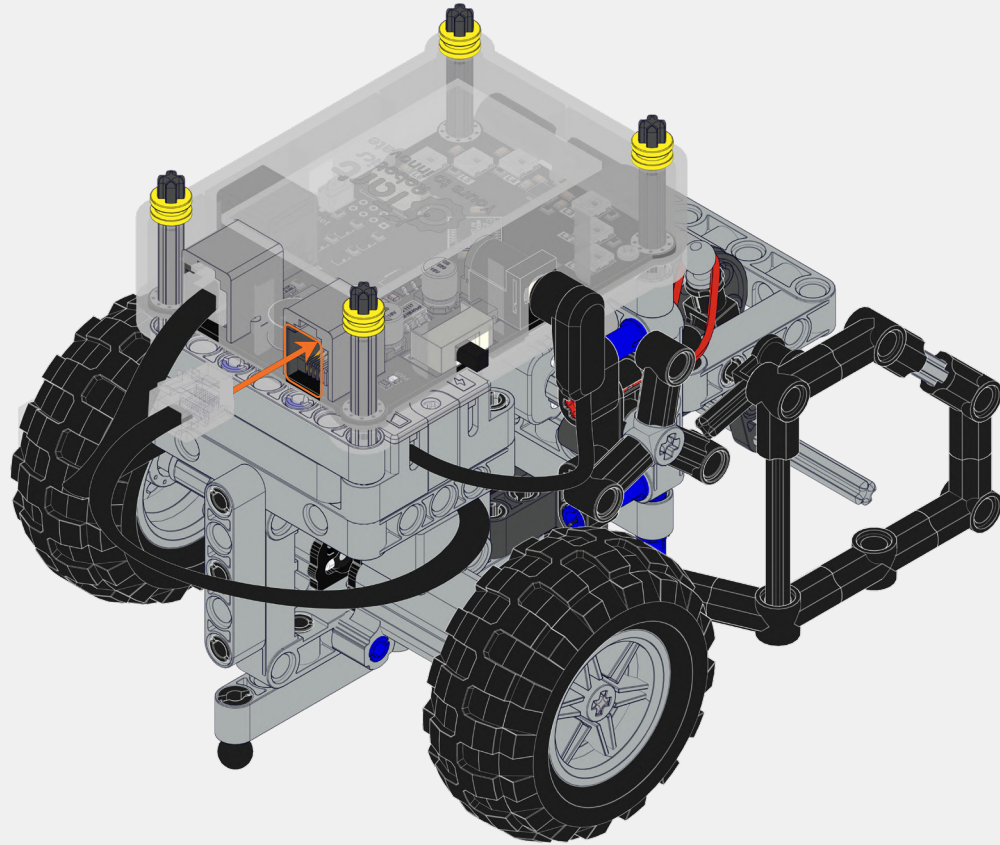


8

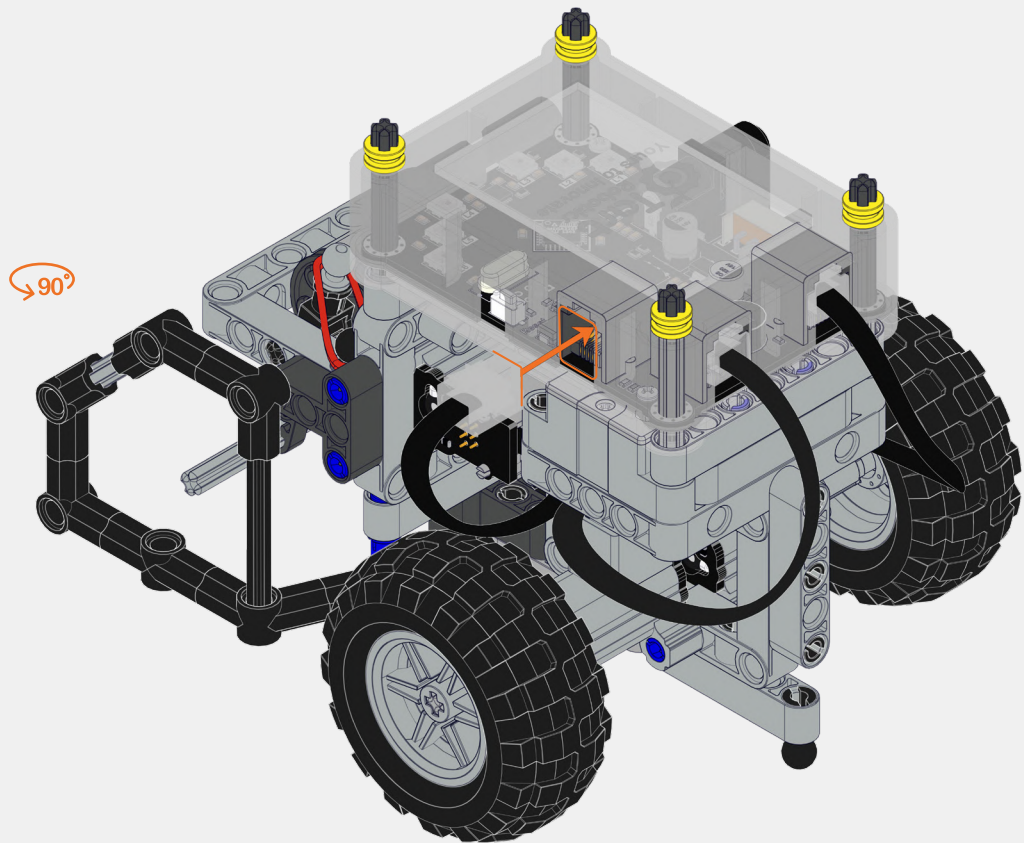


9

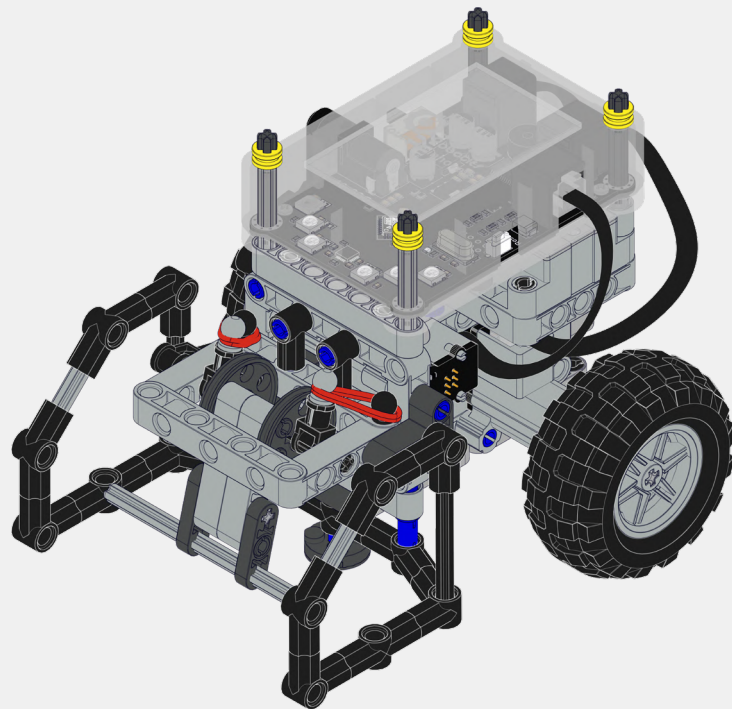
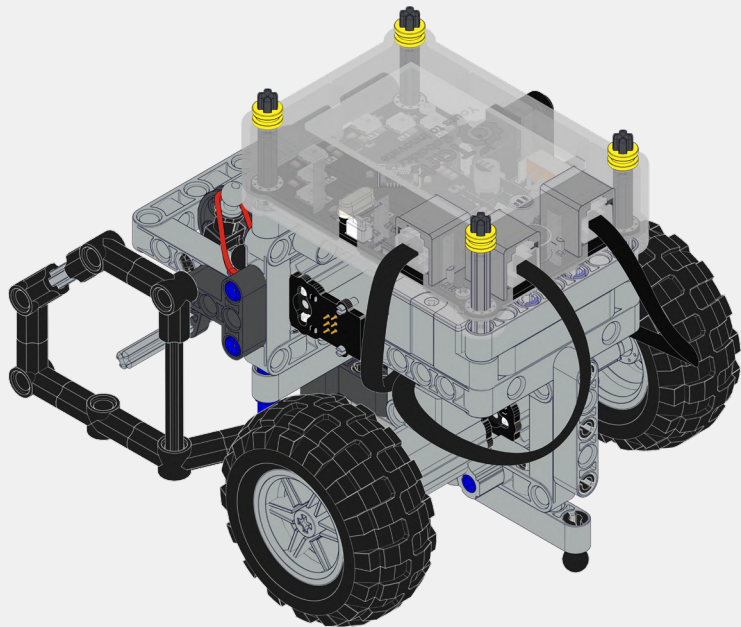




10



11



Striker Robot Completed

