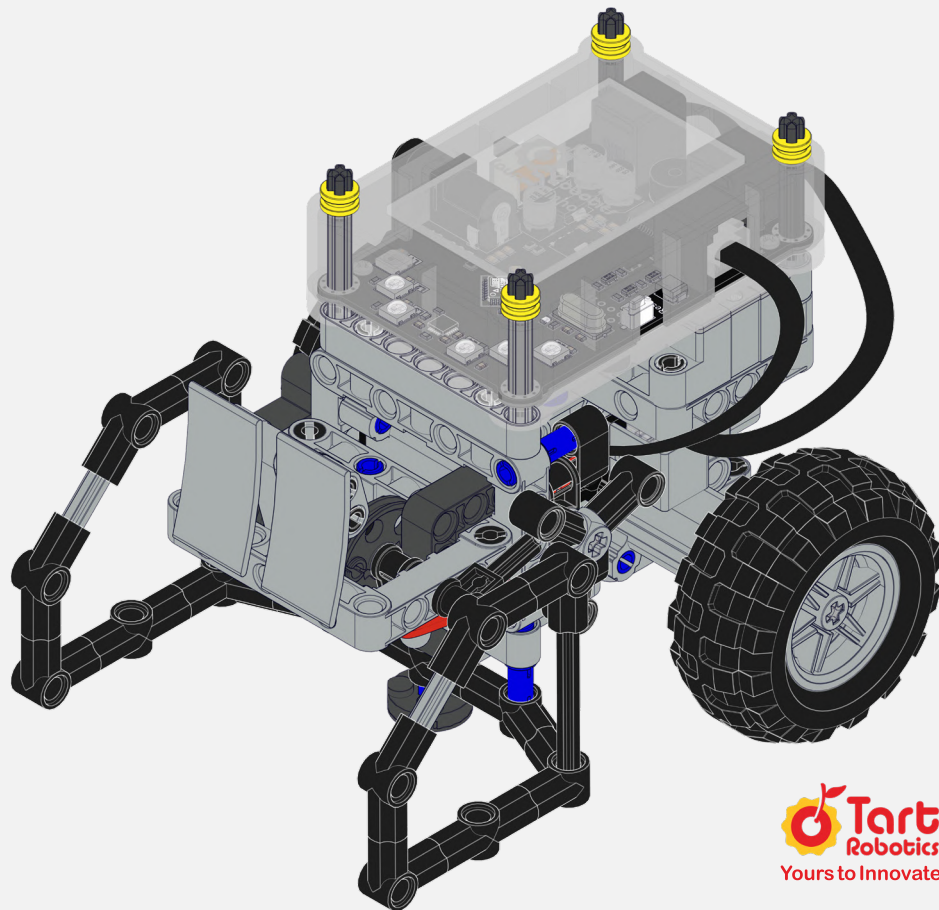
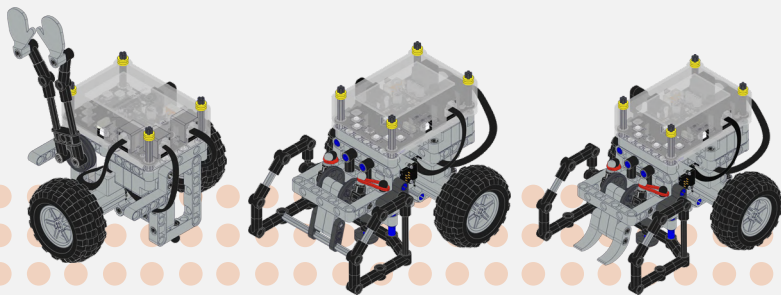


OrangeTart

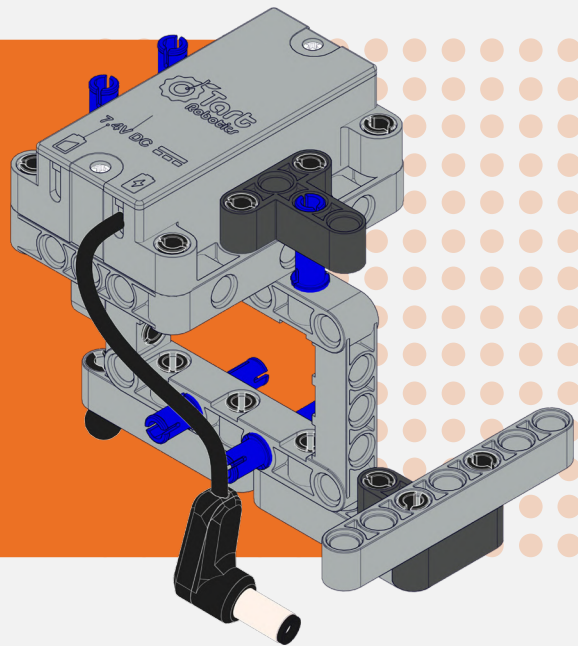
Header Robot

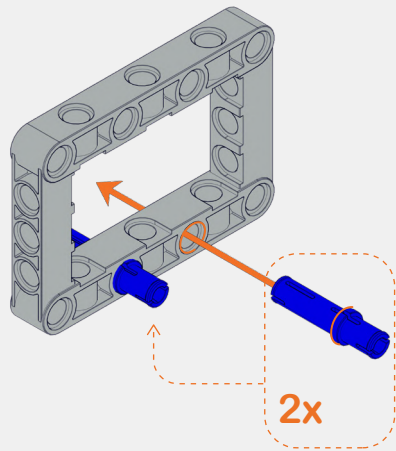
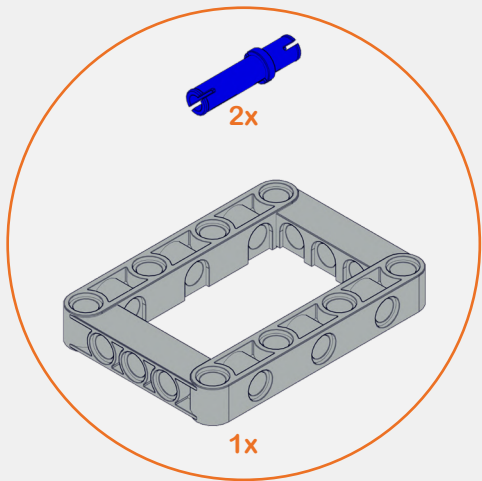
Assembly Instructions



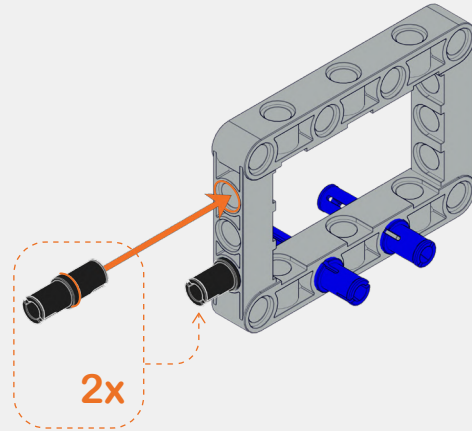
Header Robot
Assembly Instructions

▽ Stage 1

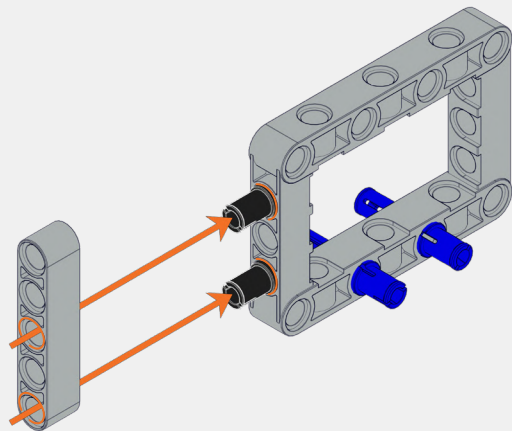
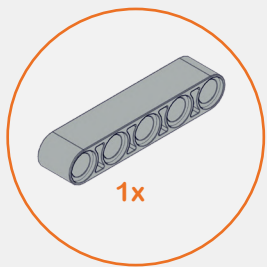




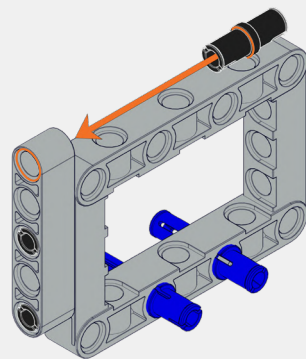
1



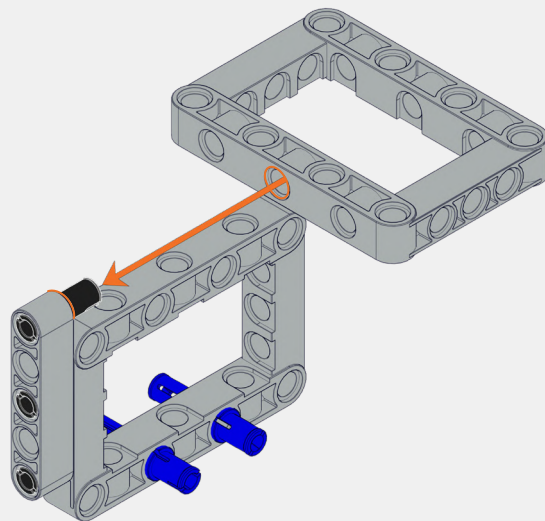
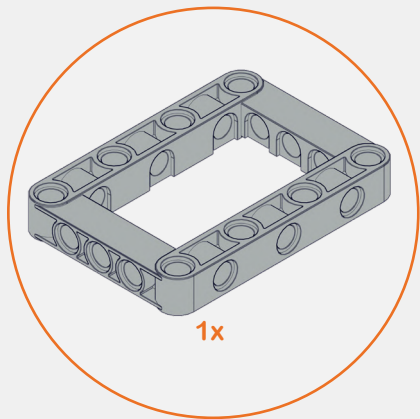
2



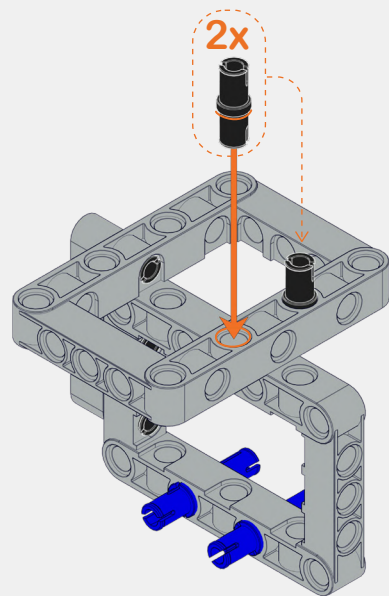
3



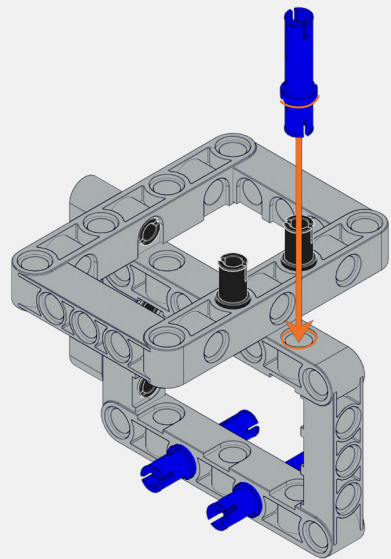
4



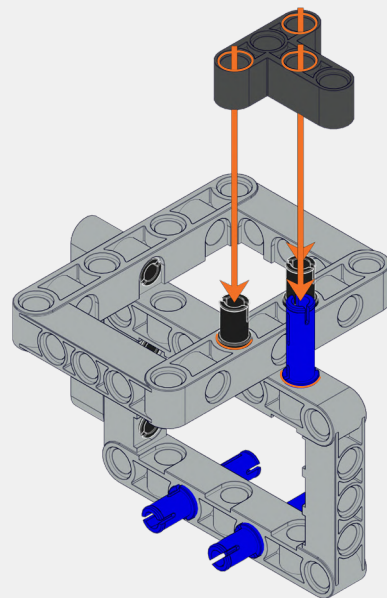
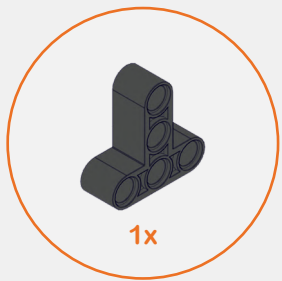
5



6



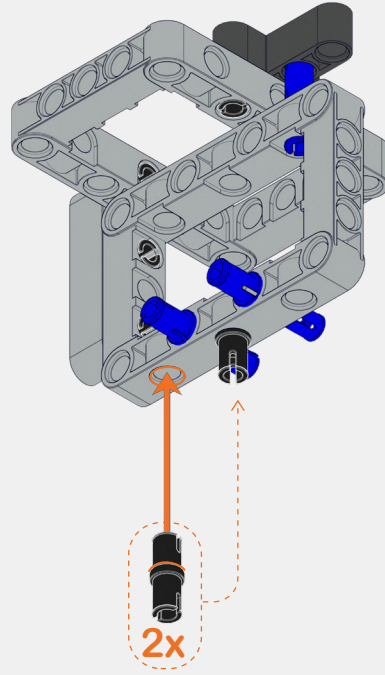
7

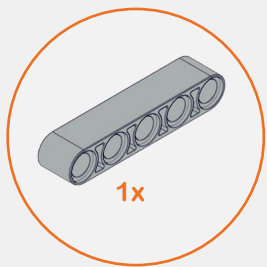


8

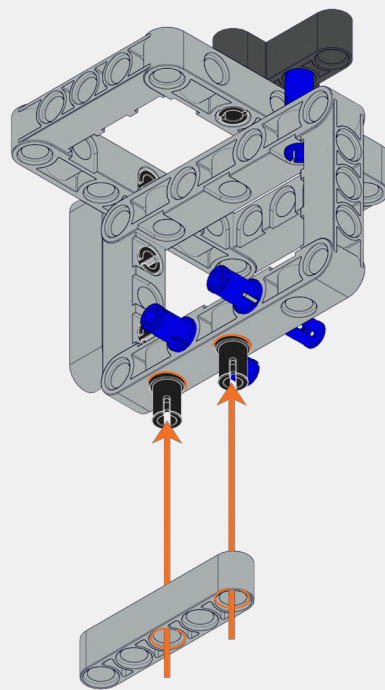


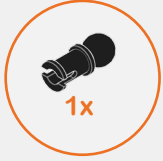
9



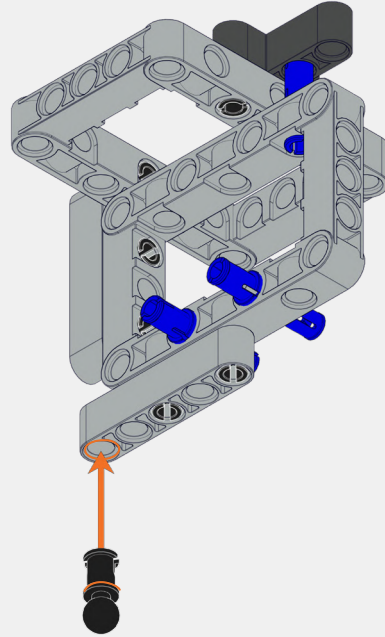


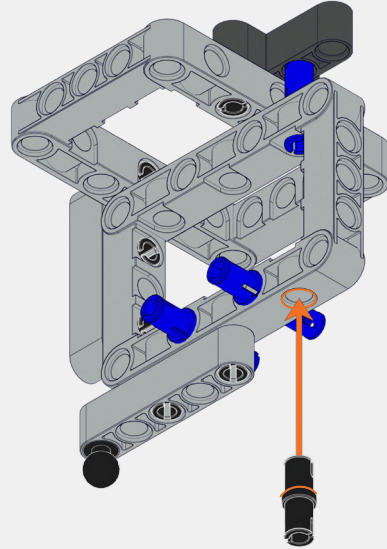
10



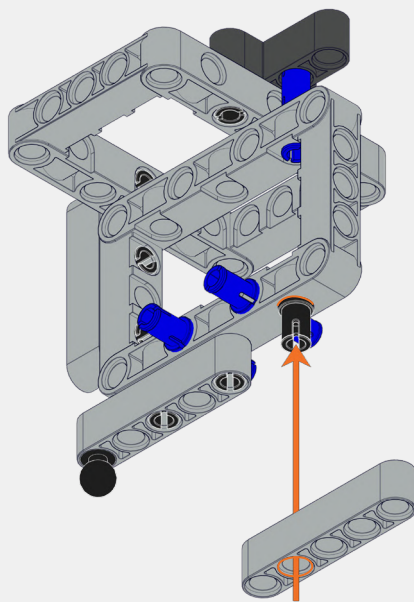
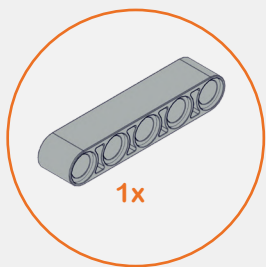


11

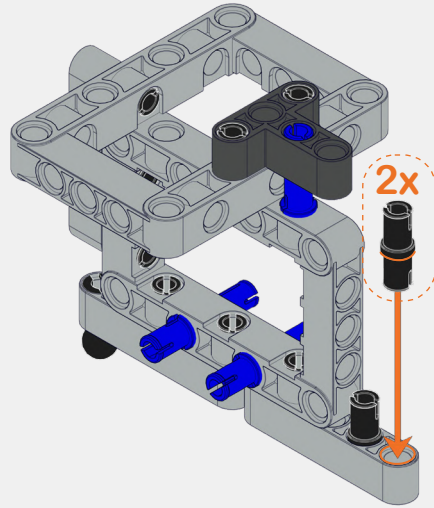




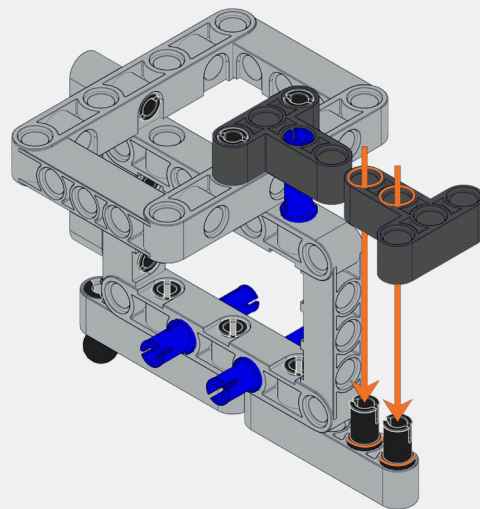
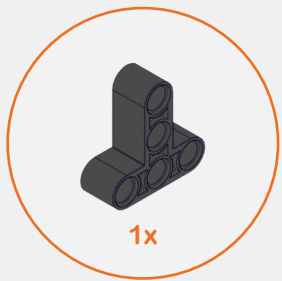
12



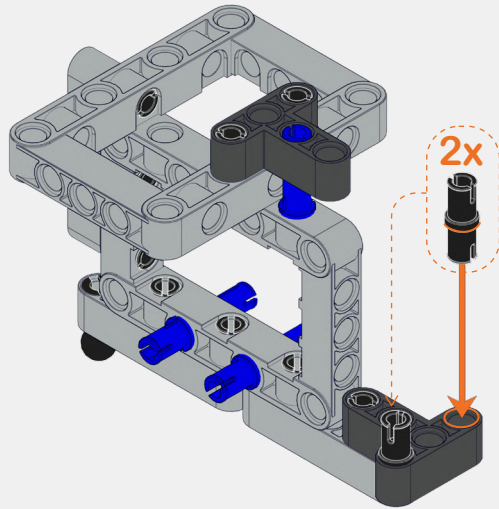
13



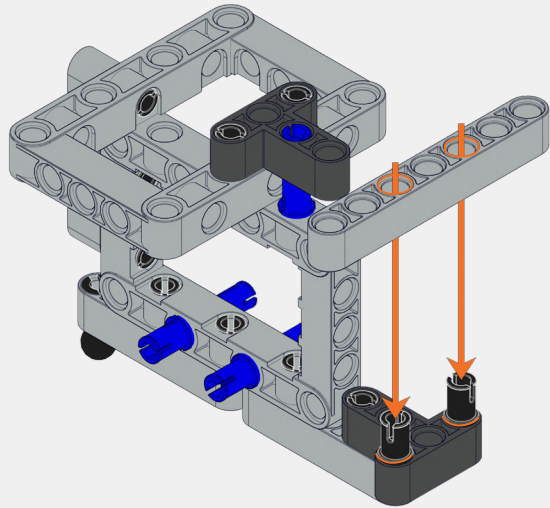
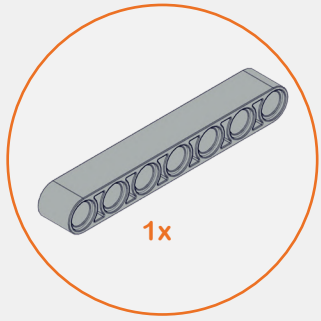
14



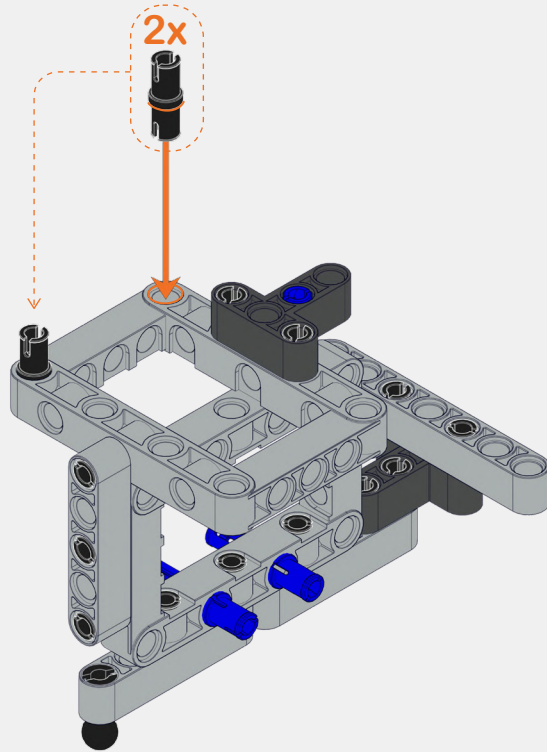
15



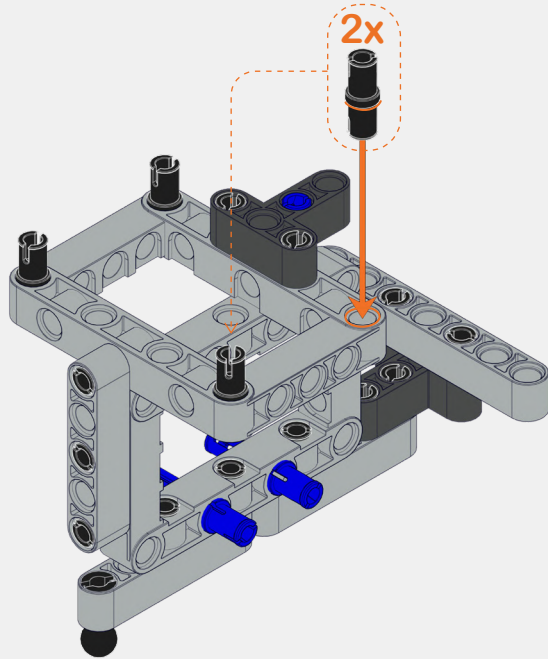
16



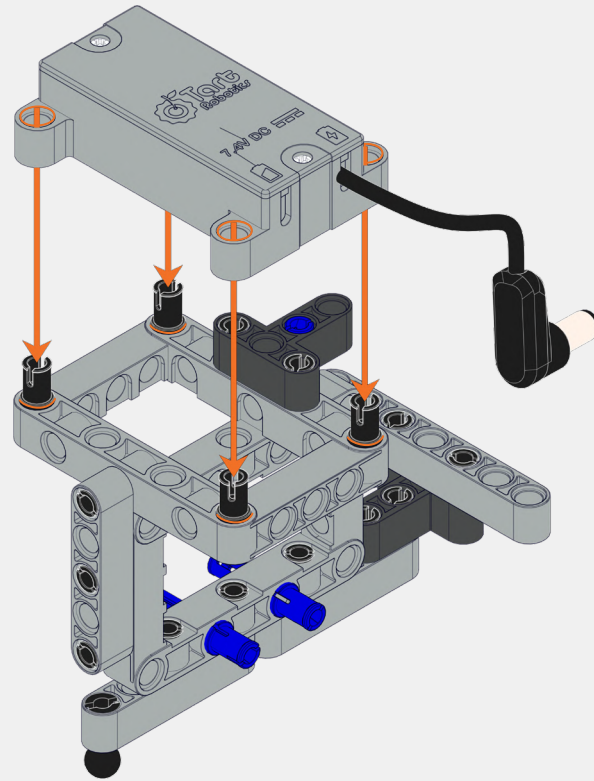
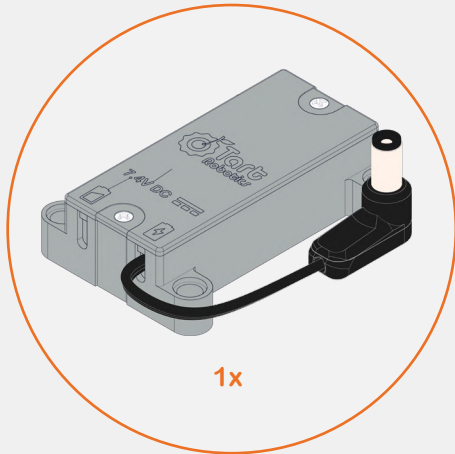
17



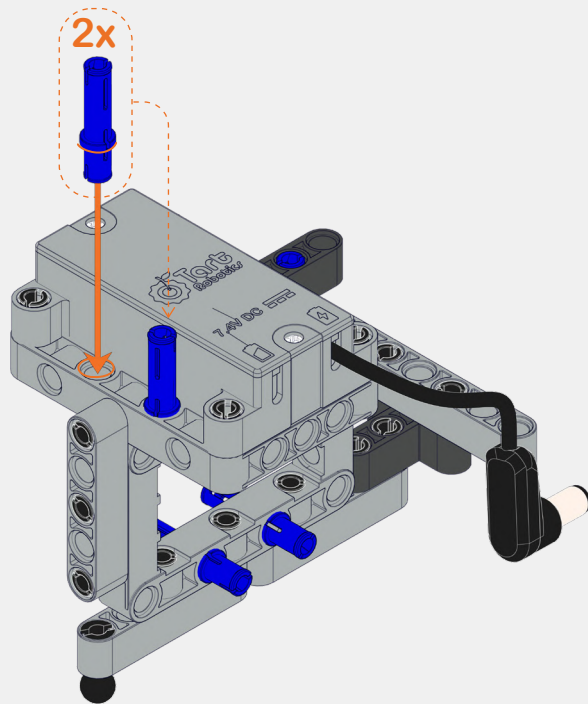
18



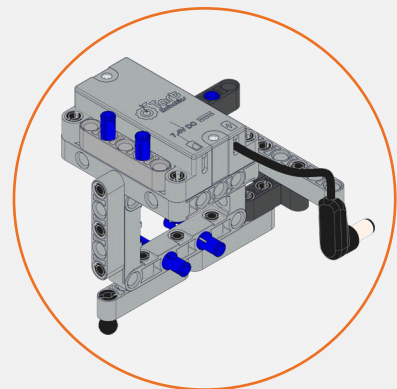
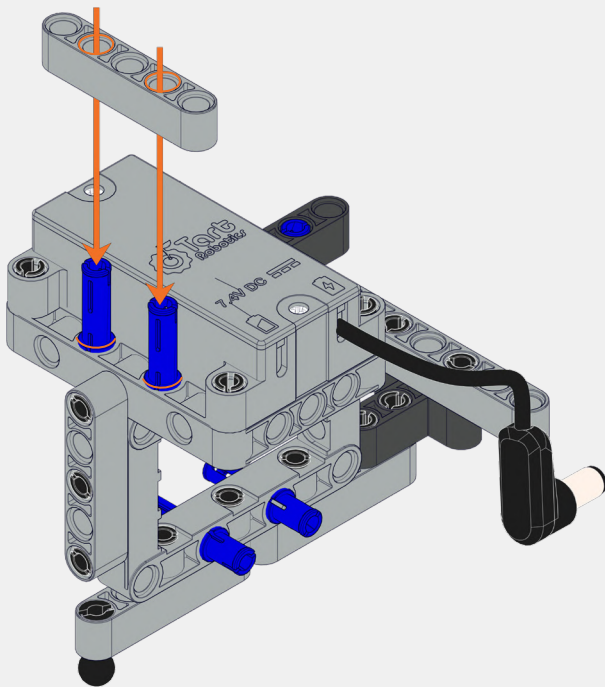
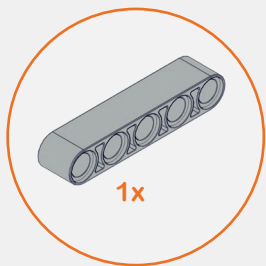
19



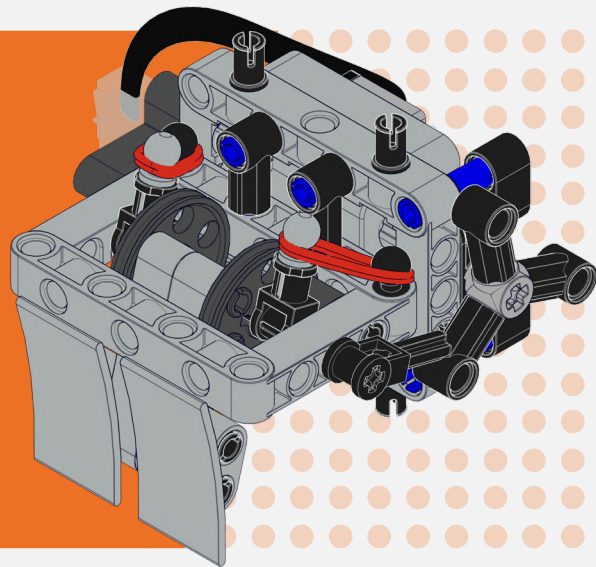
20



21

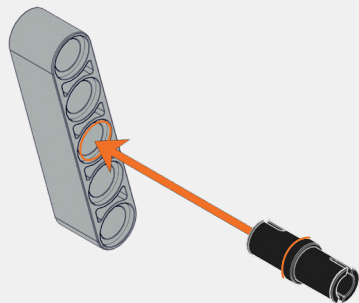
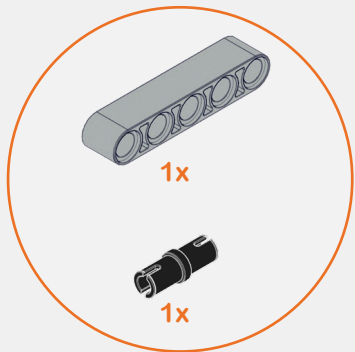


22

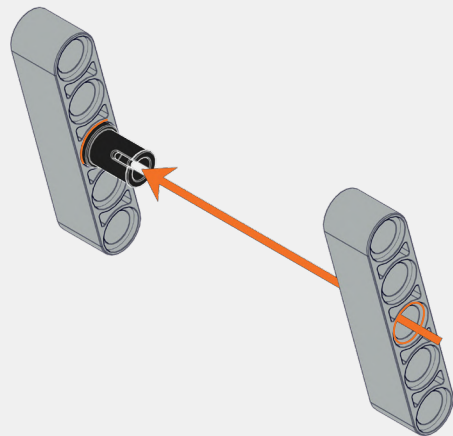
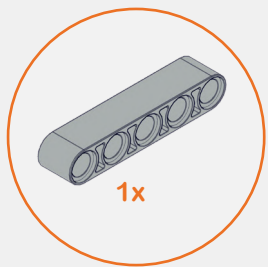


HeaderRobot
Assembly Instructions

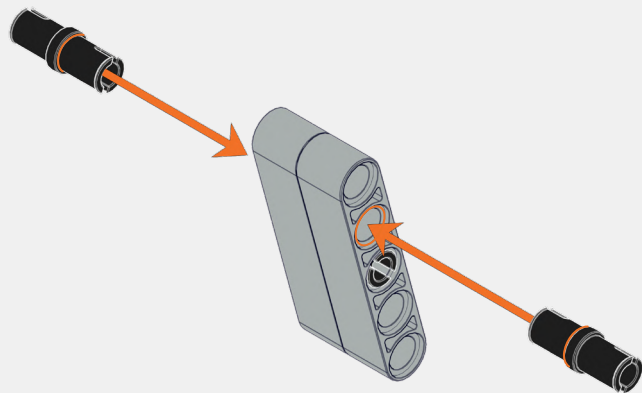
▽ Stage 2



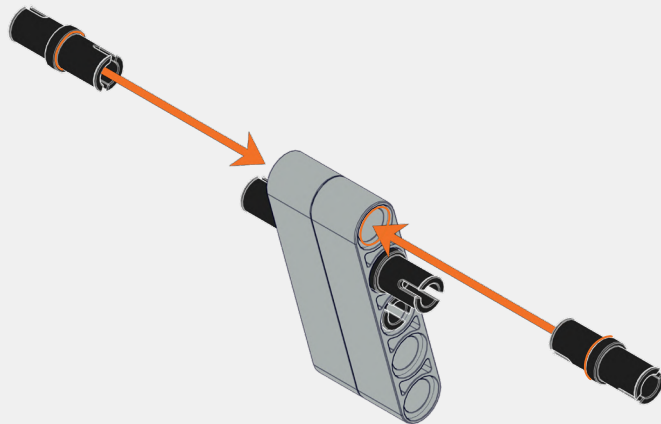
1



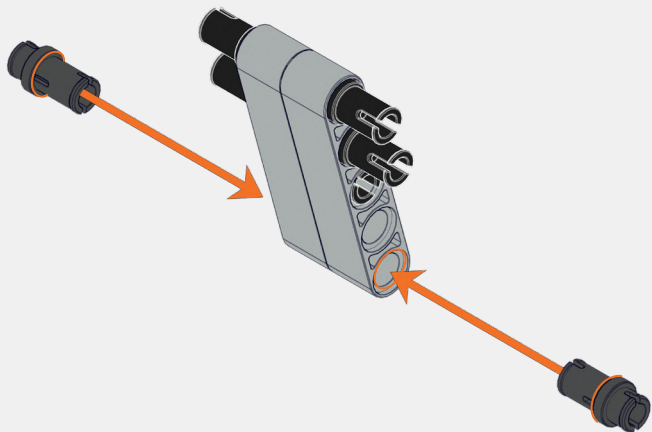
2



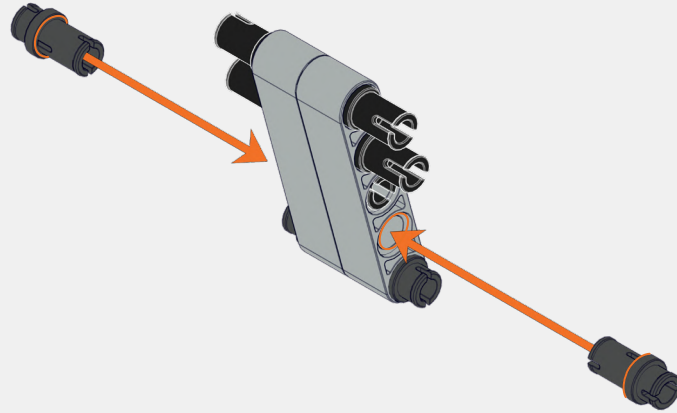
3



4



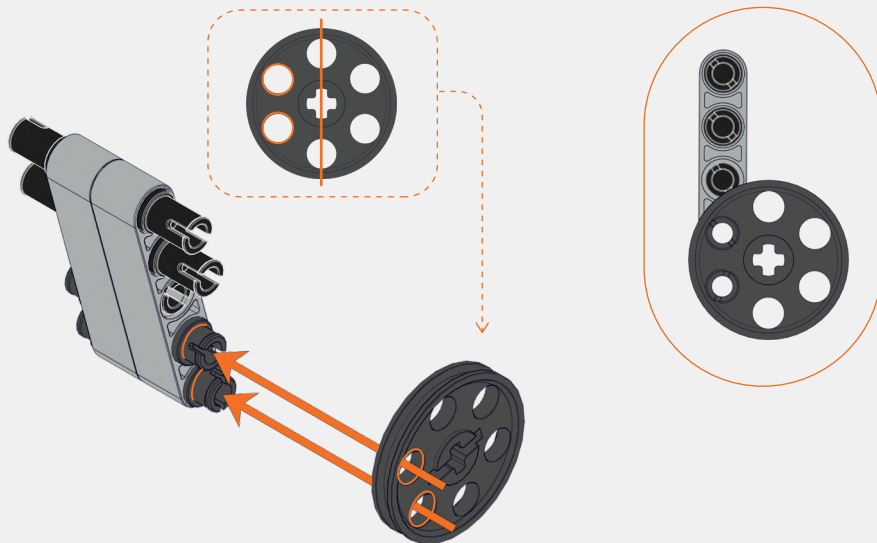
5



6



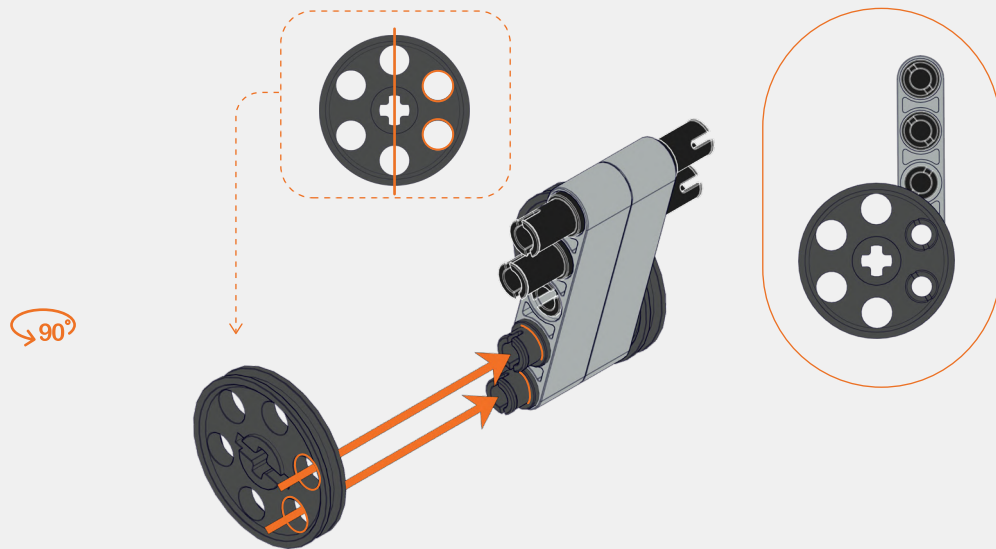
Please follow the assembly procedure as indicated in the figure.

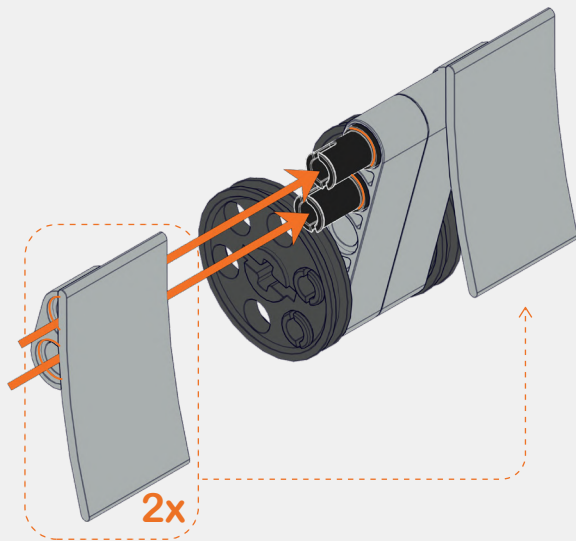


7

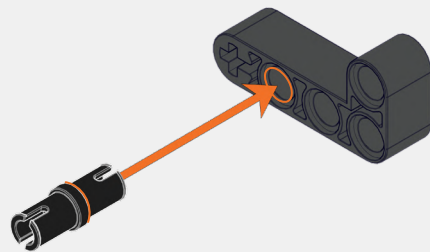
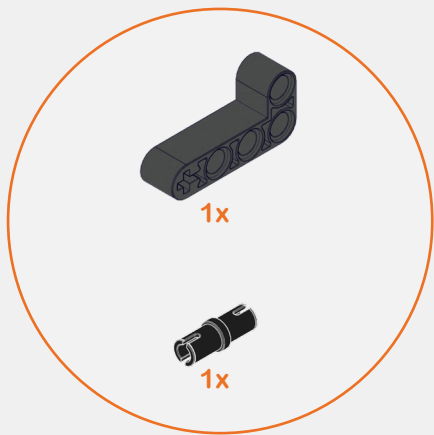


Please follow the assembly procedure as indicated in the figure.

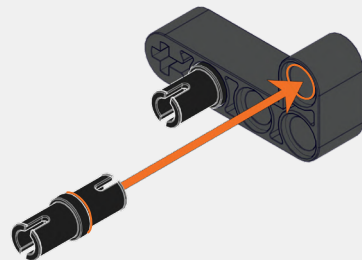




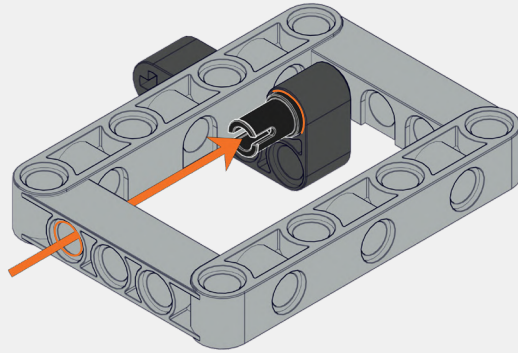
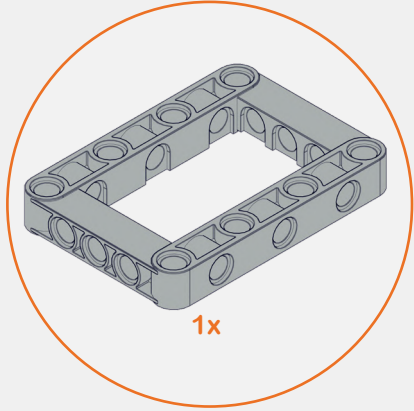
9



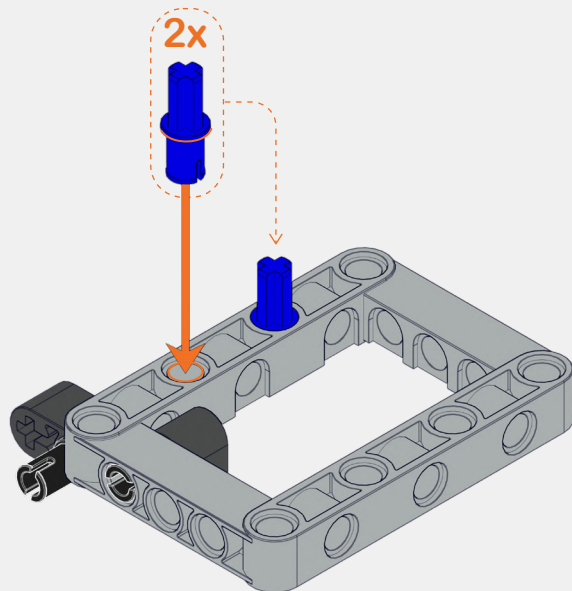
10



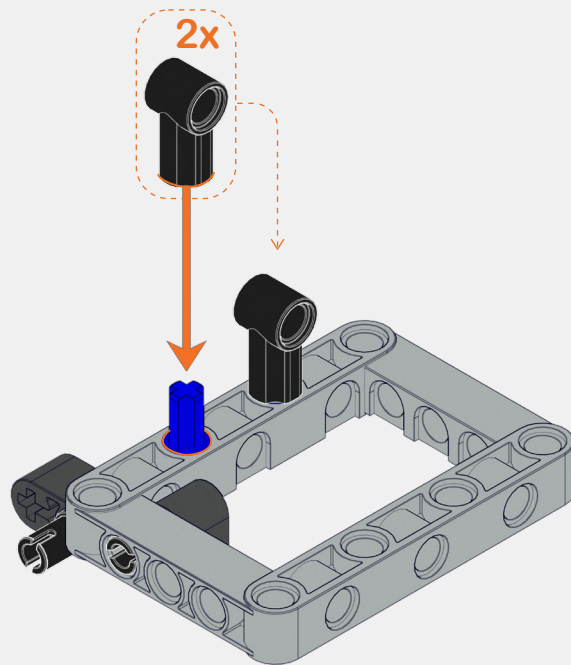
11



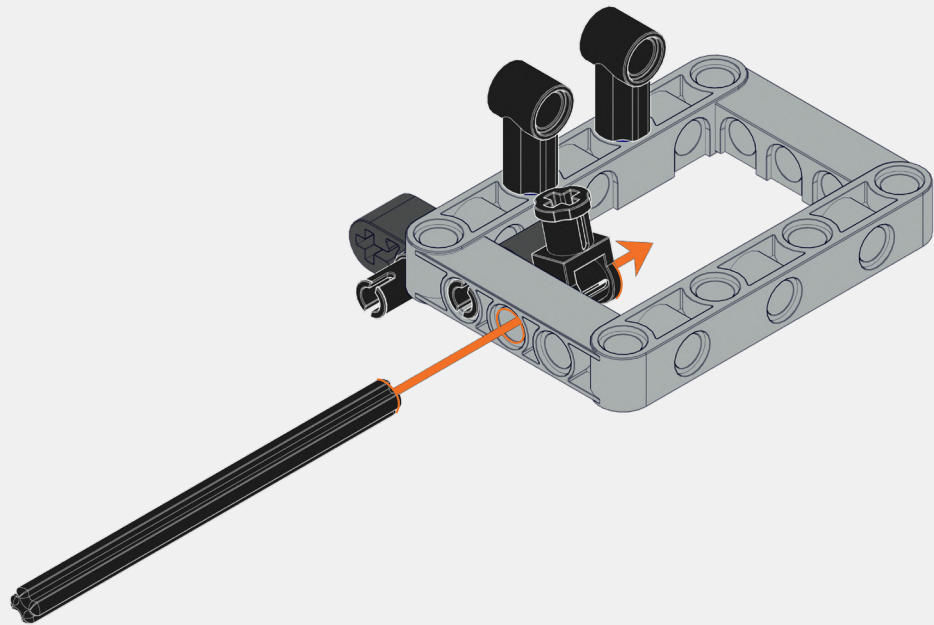
12



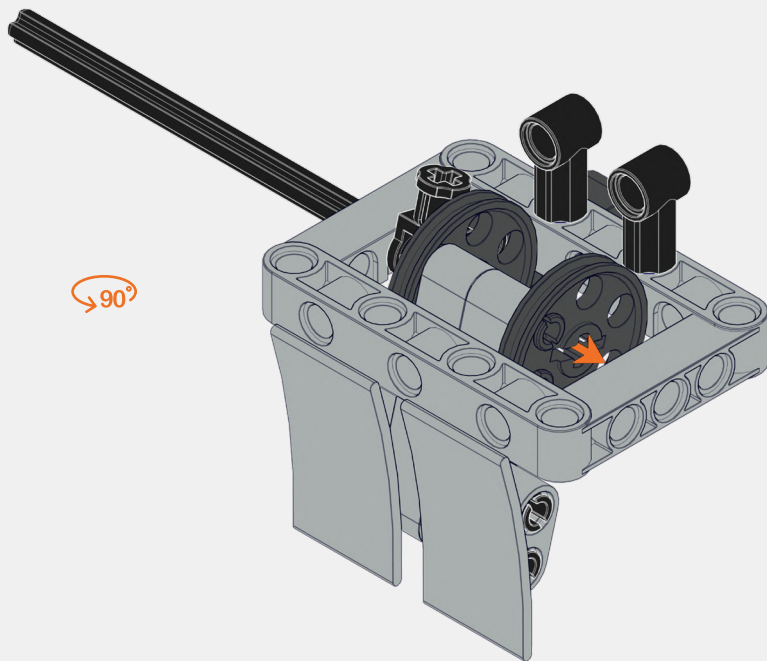
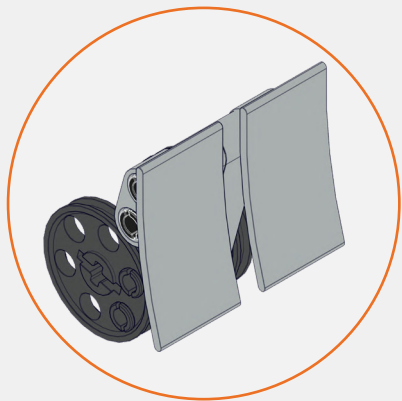
13



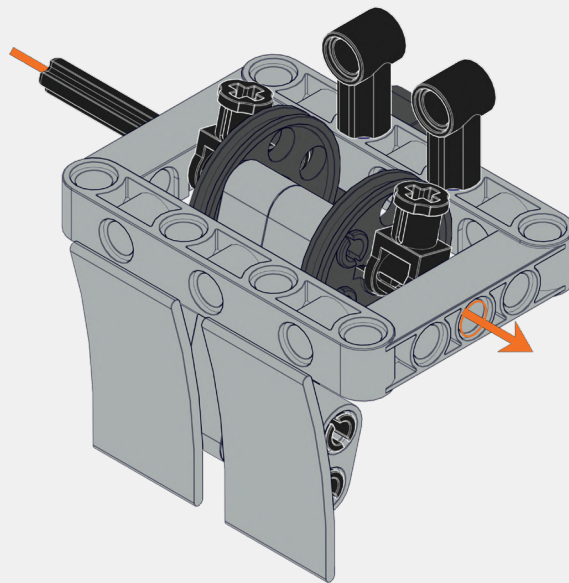
14



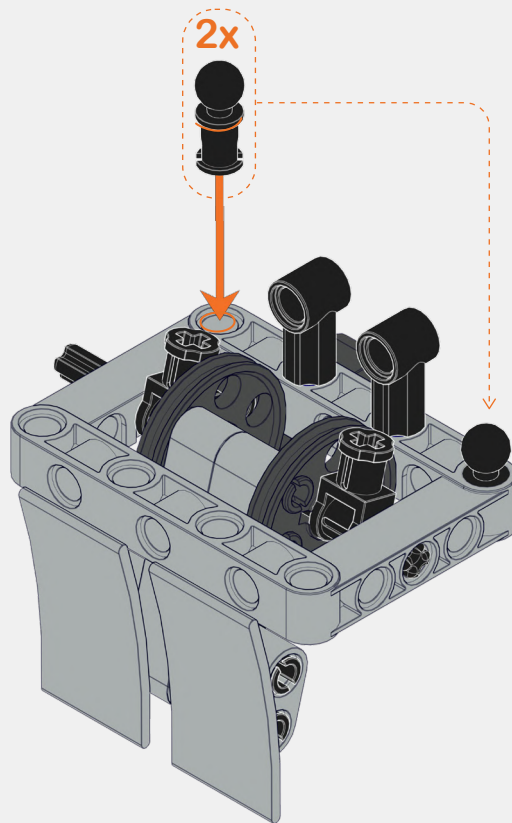
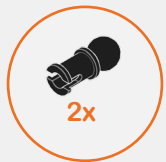
15



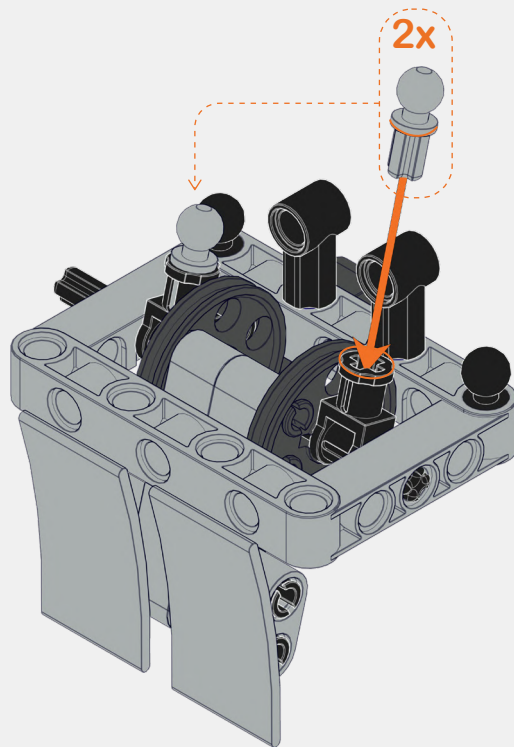
16



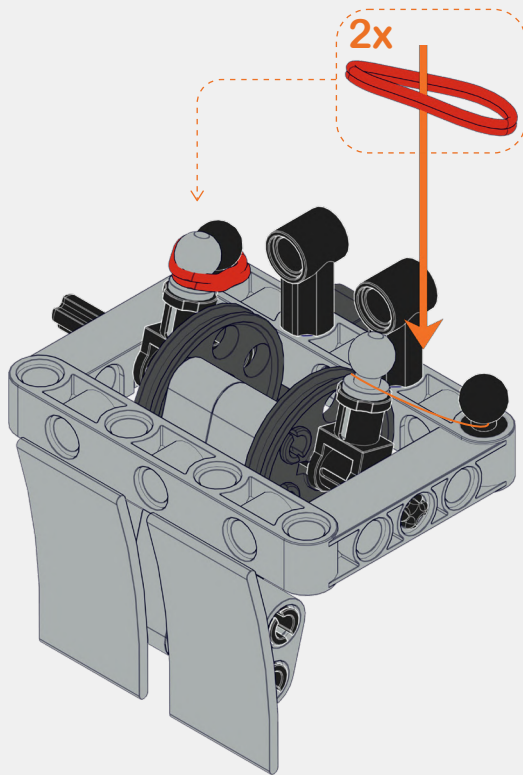
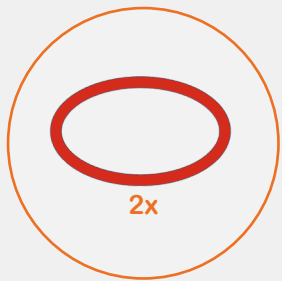
17



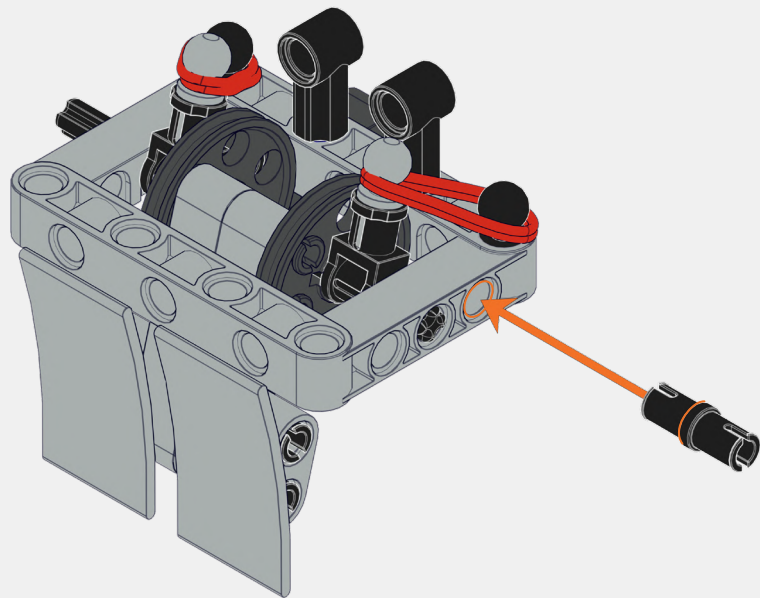
18



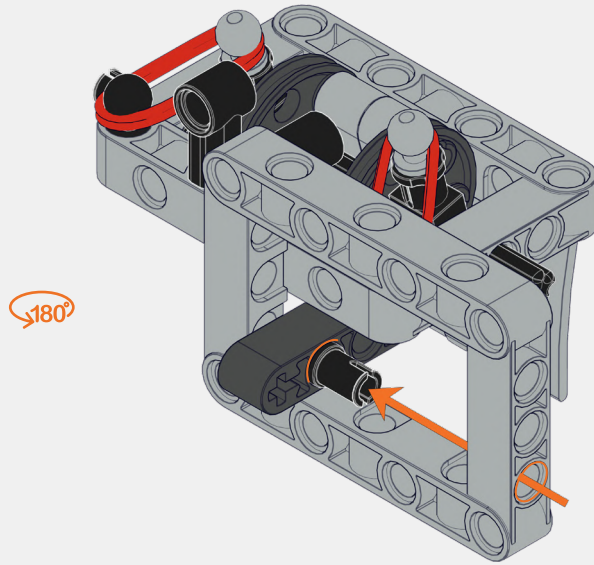
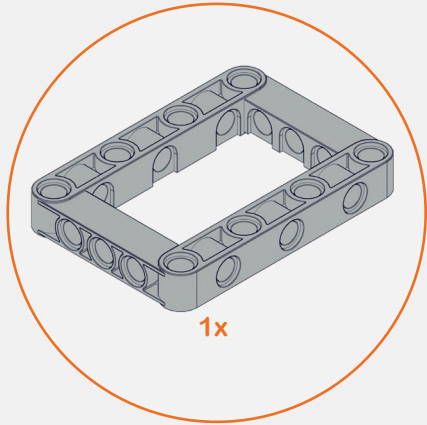
19



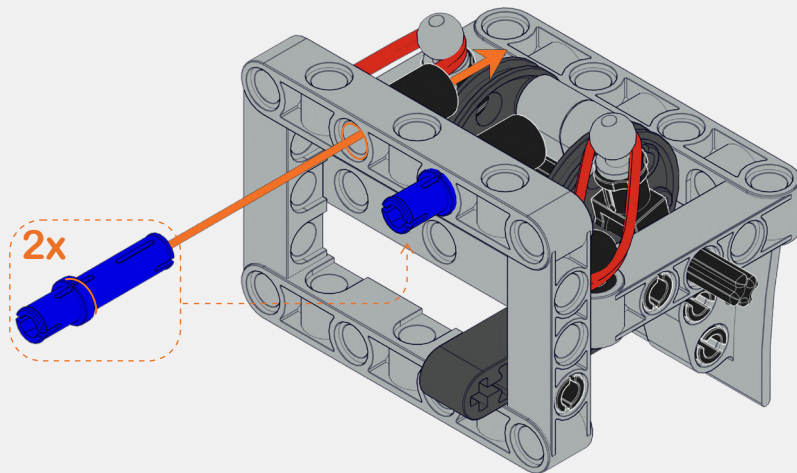
20



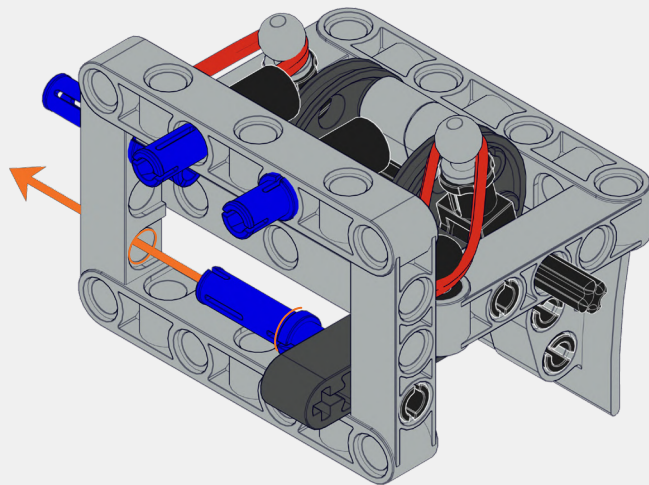
21



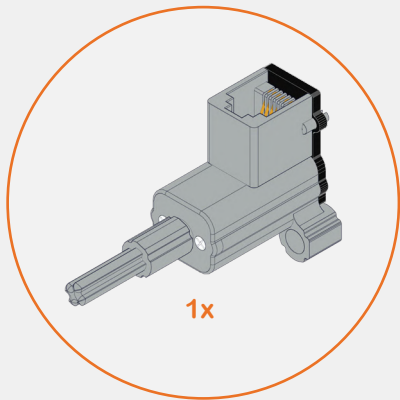
22



23

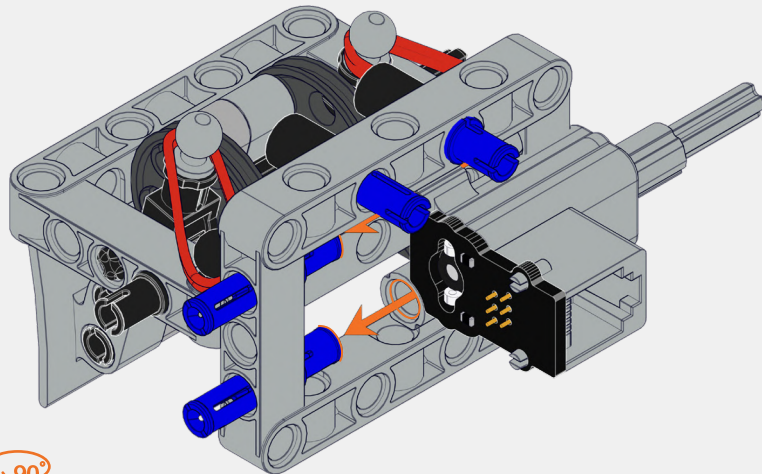
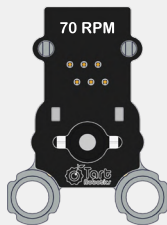


24



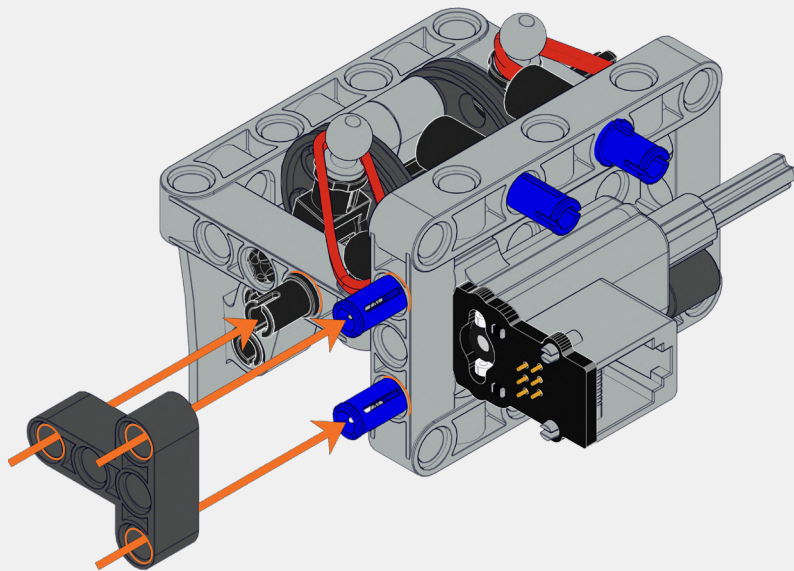
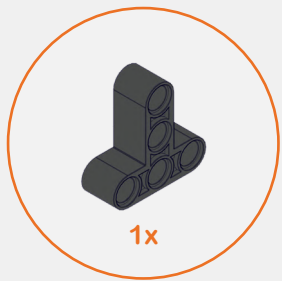
1x

Use the 70 RPM motor

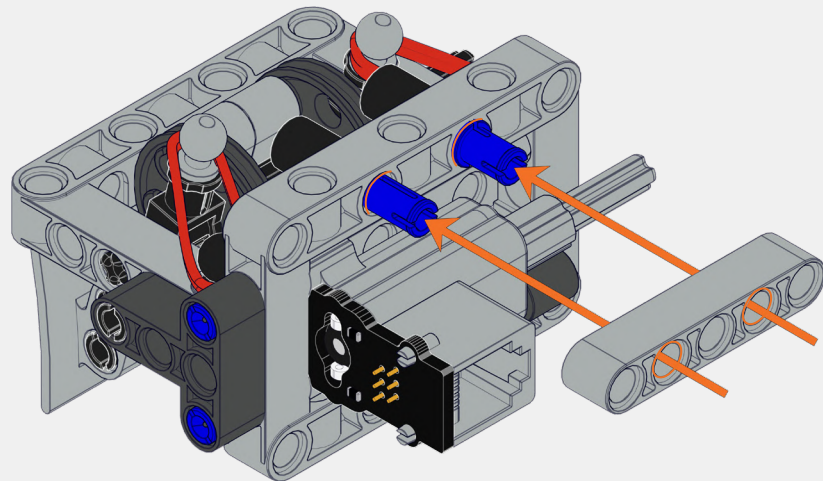
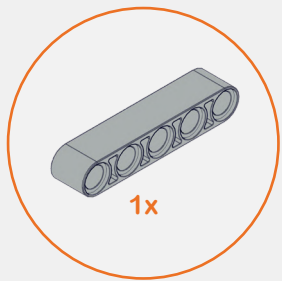


90°

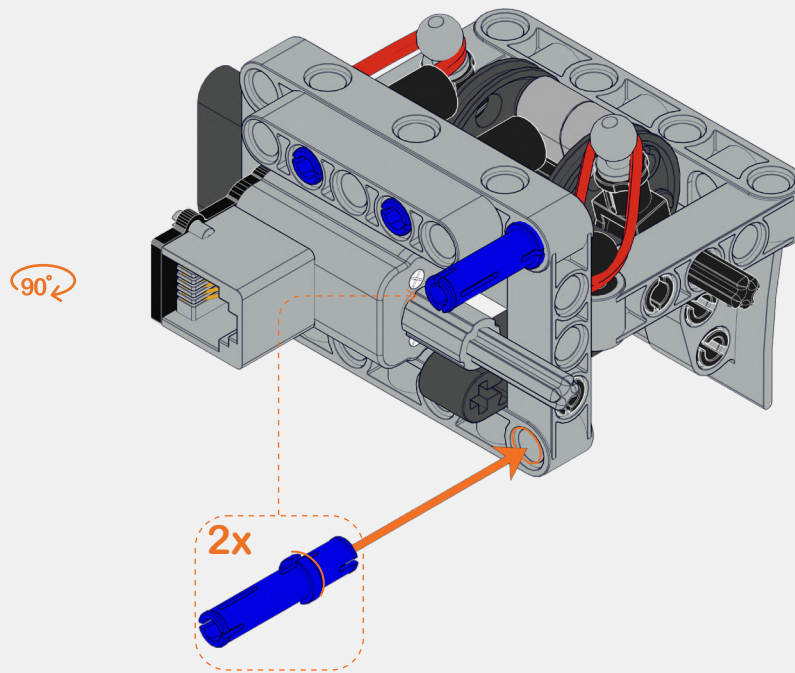
25



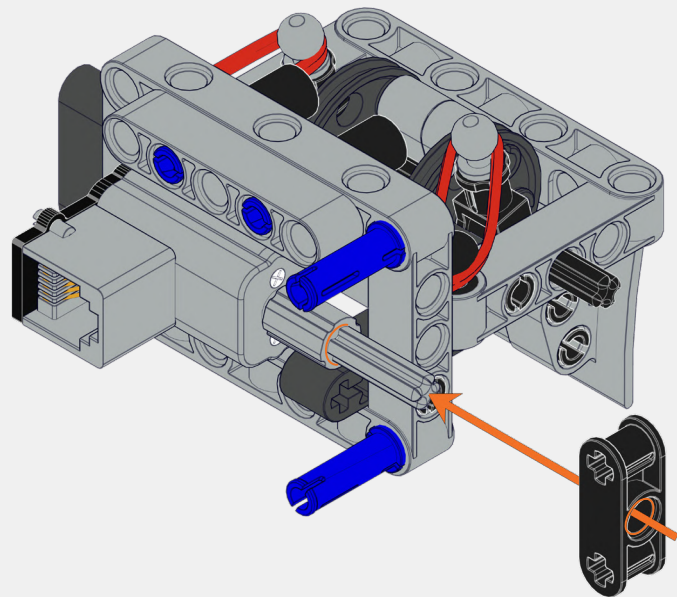
26



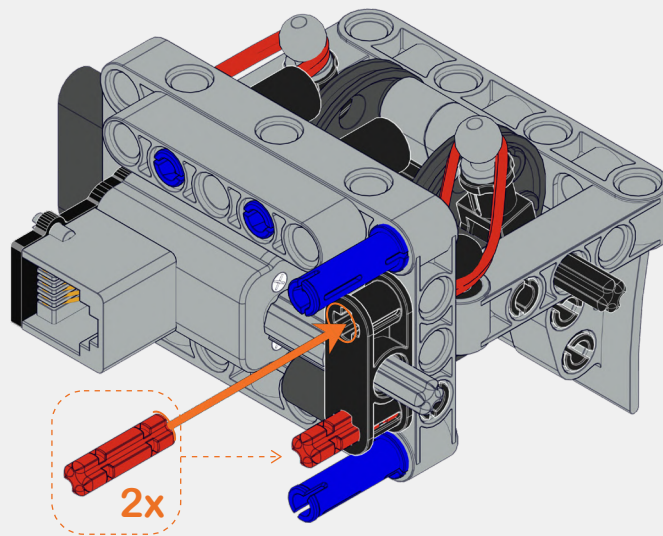
27



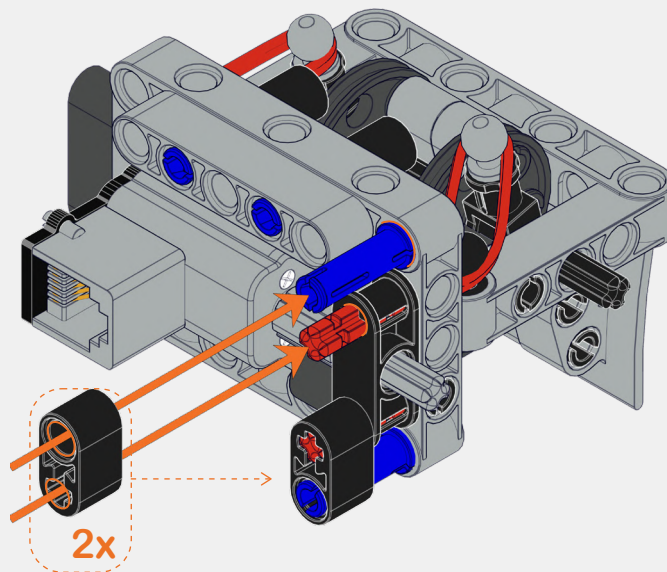
28



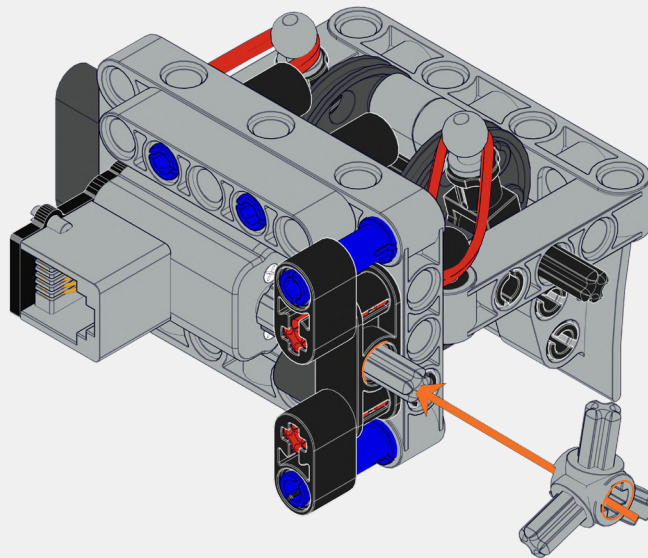
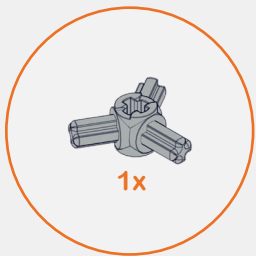
29



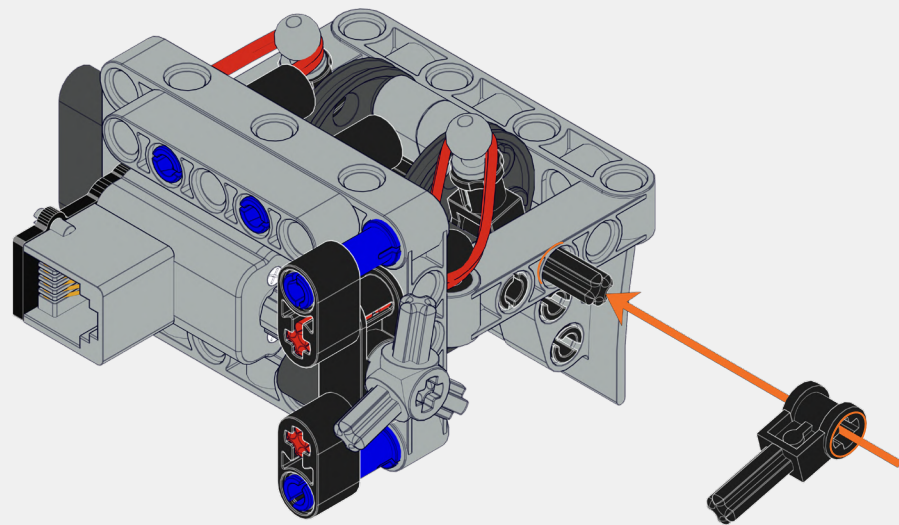
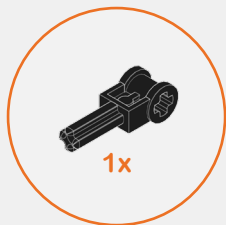
30



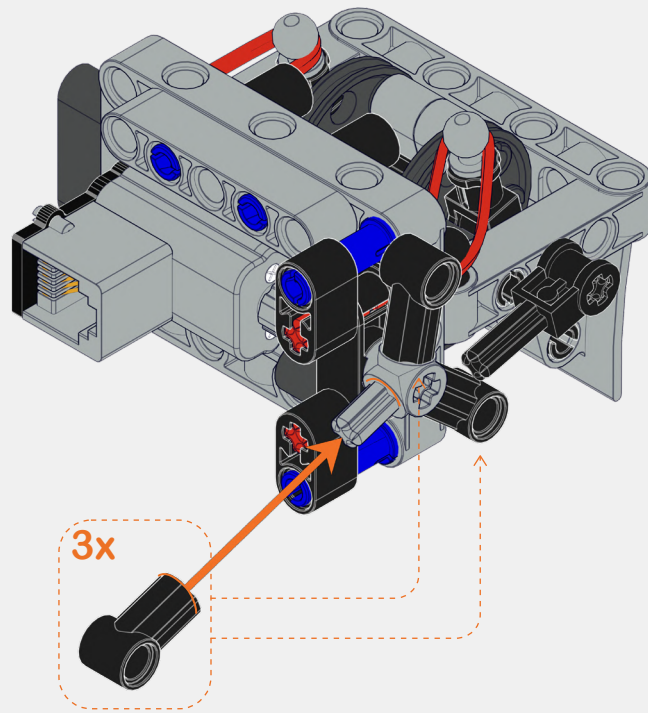
31



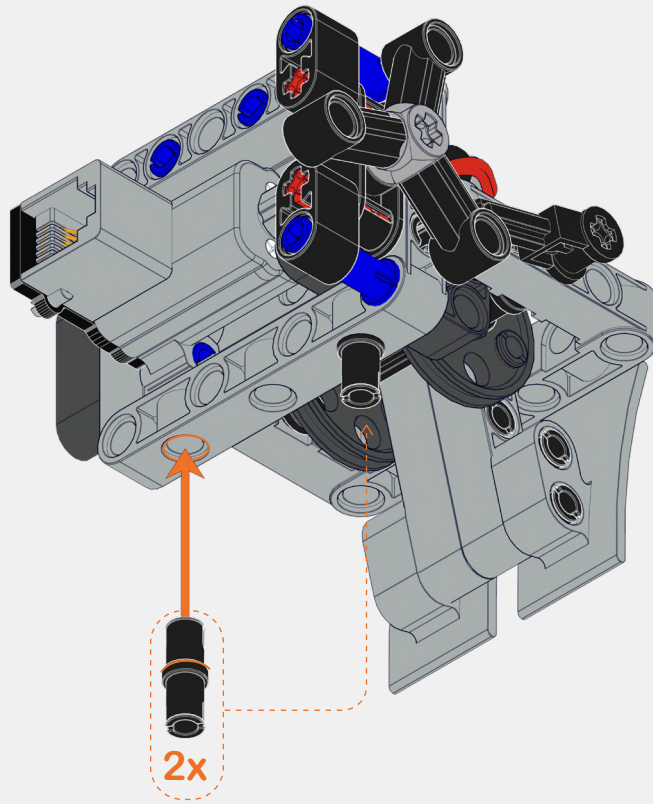
32



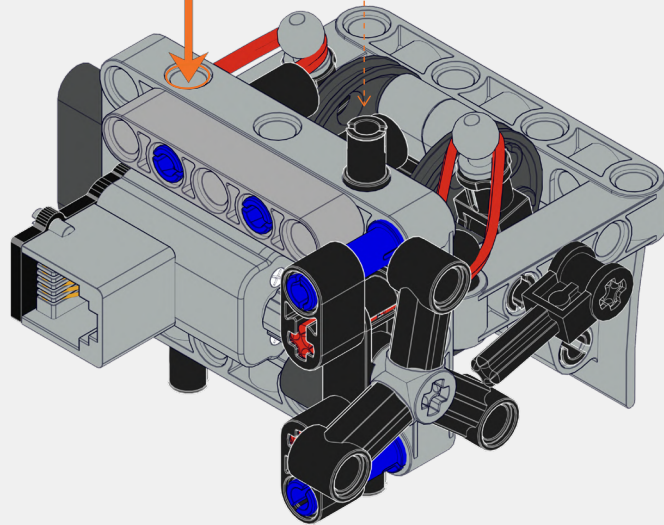
33



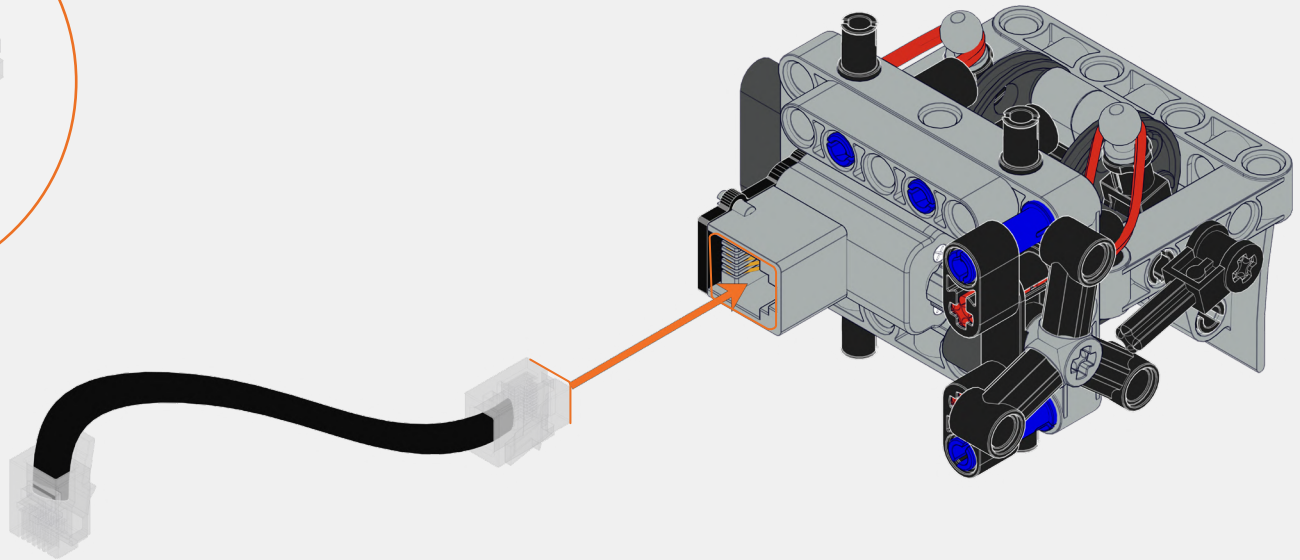
34



35



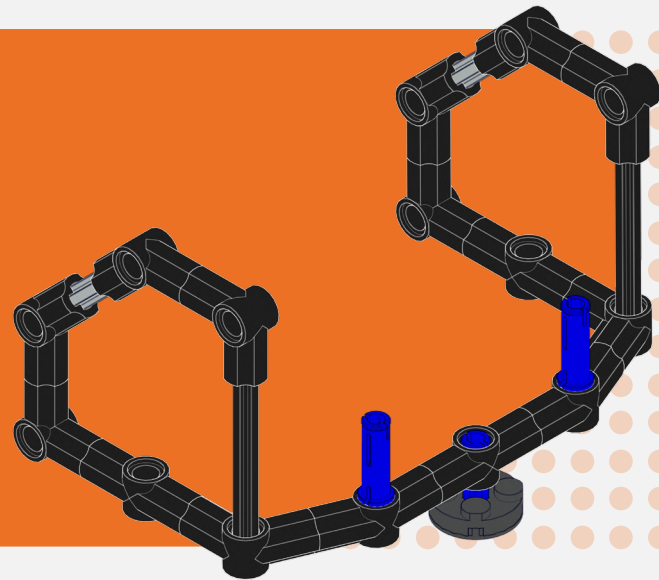
36

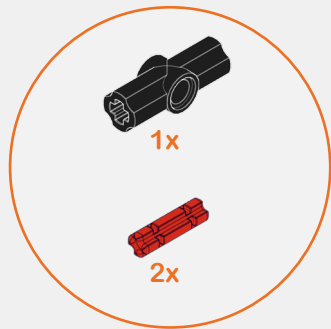


37

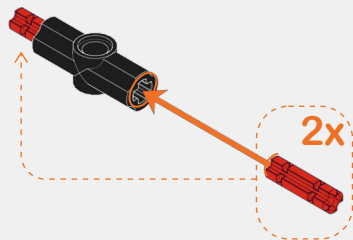
HeaderRobot
Assembly Instructions

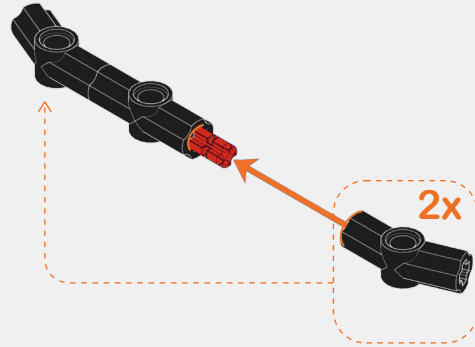
▽ Stage 3



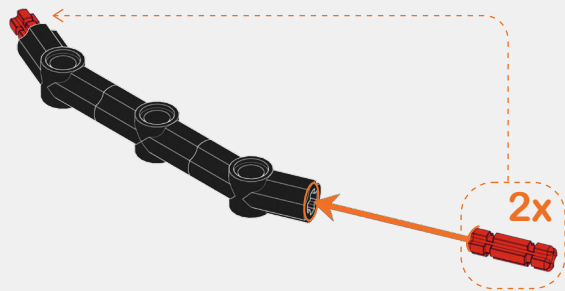
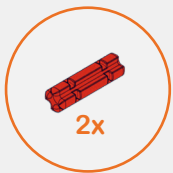


1

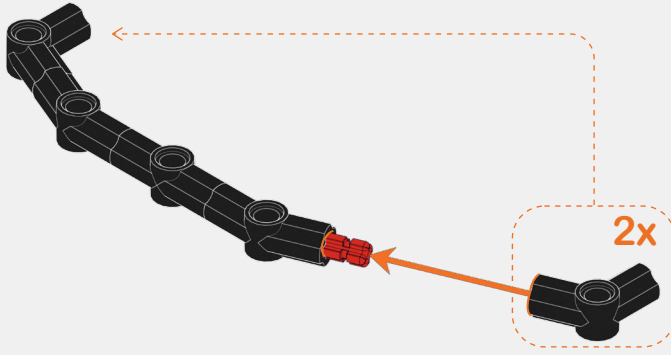




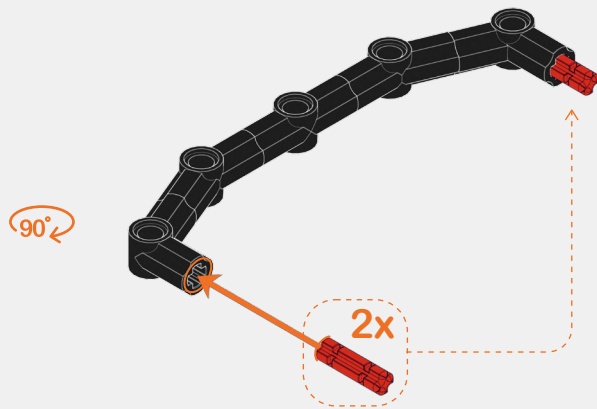
2



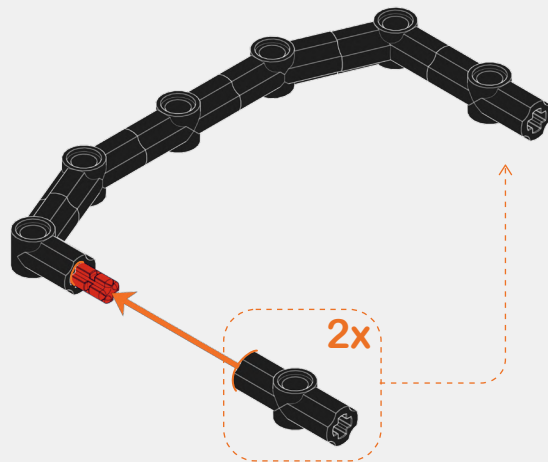
3



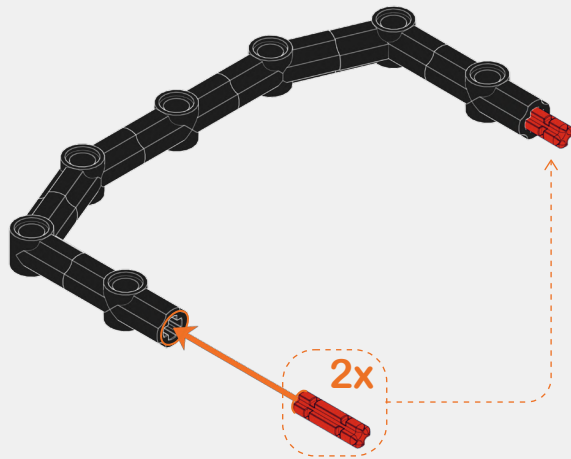
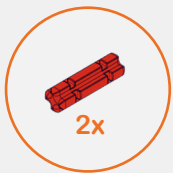
4



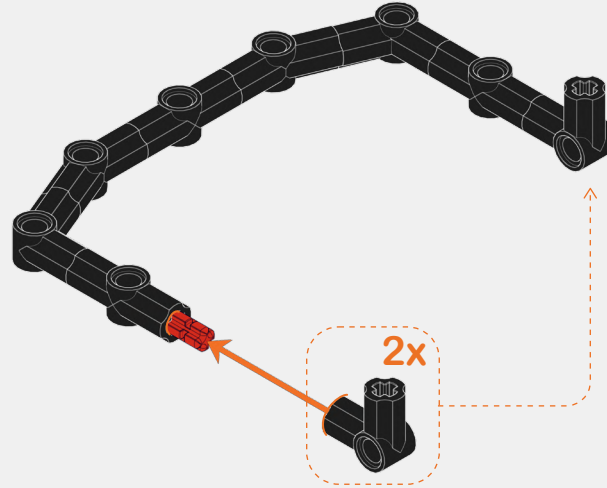
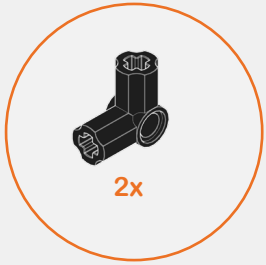
5



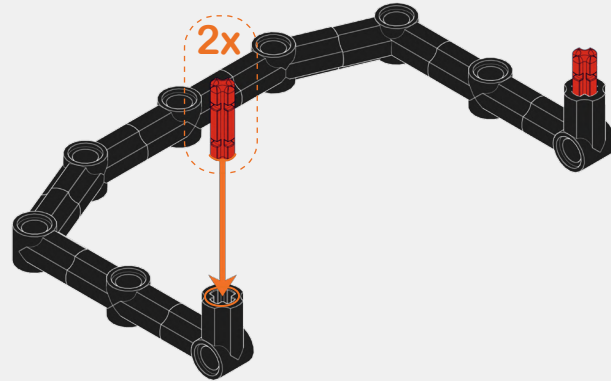
6



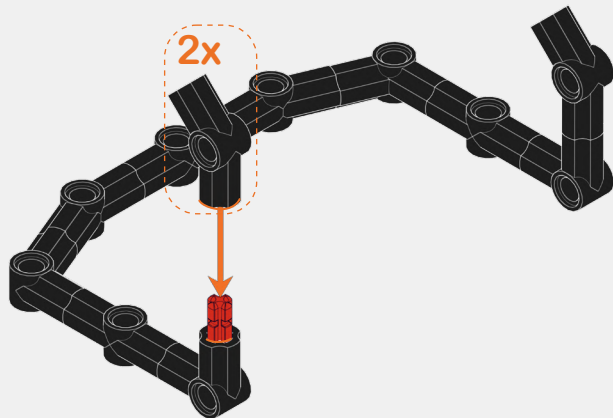
7



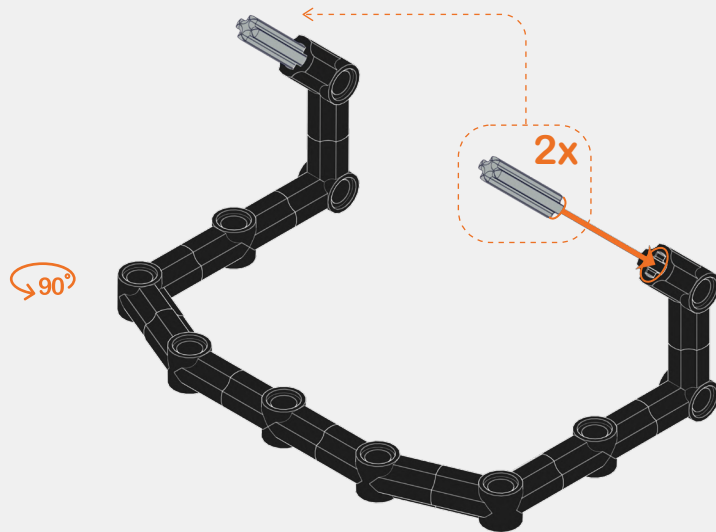
8



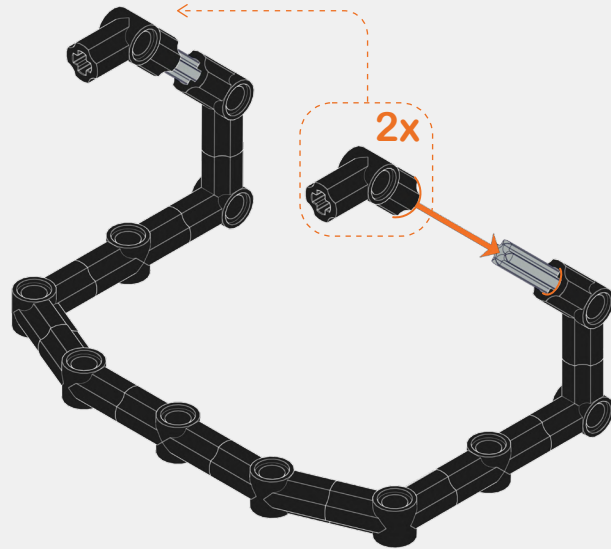
9



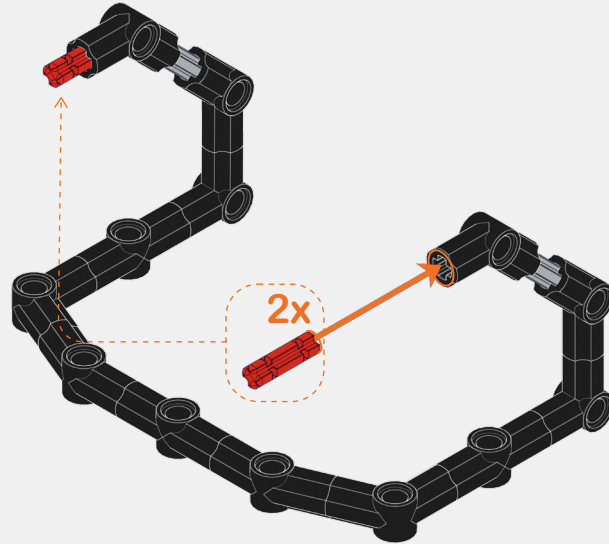
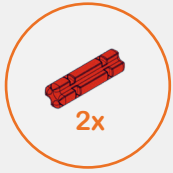
10



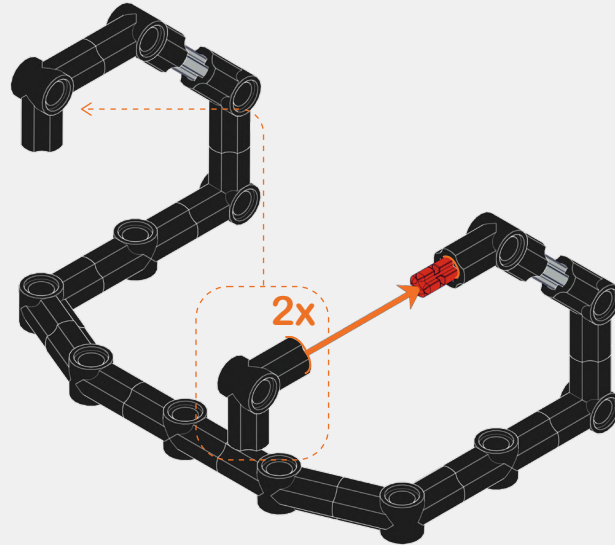
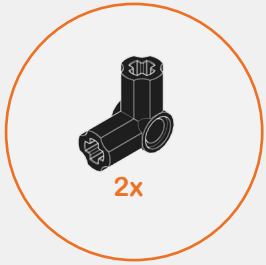
11



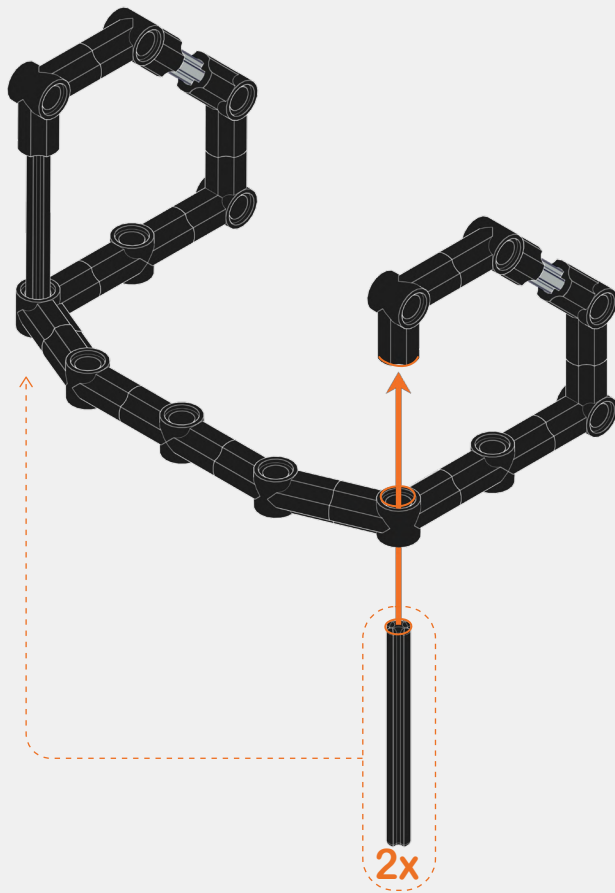
12



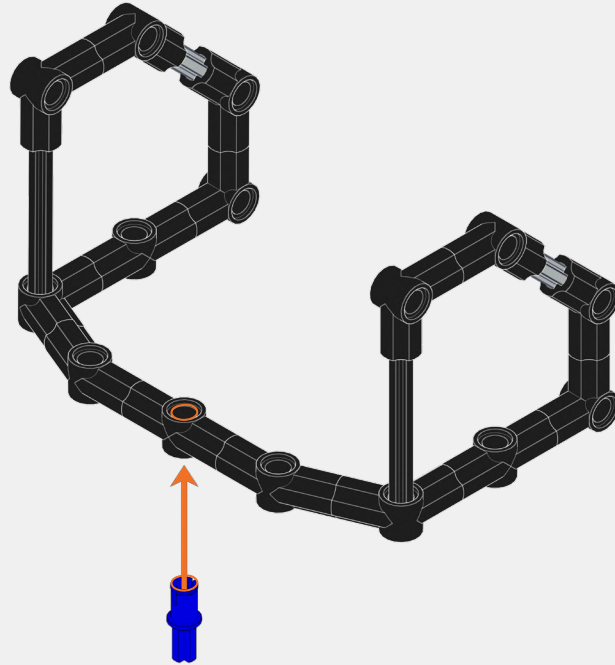
13



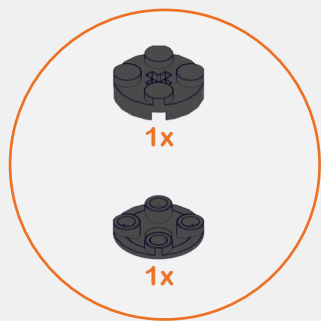
14



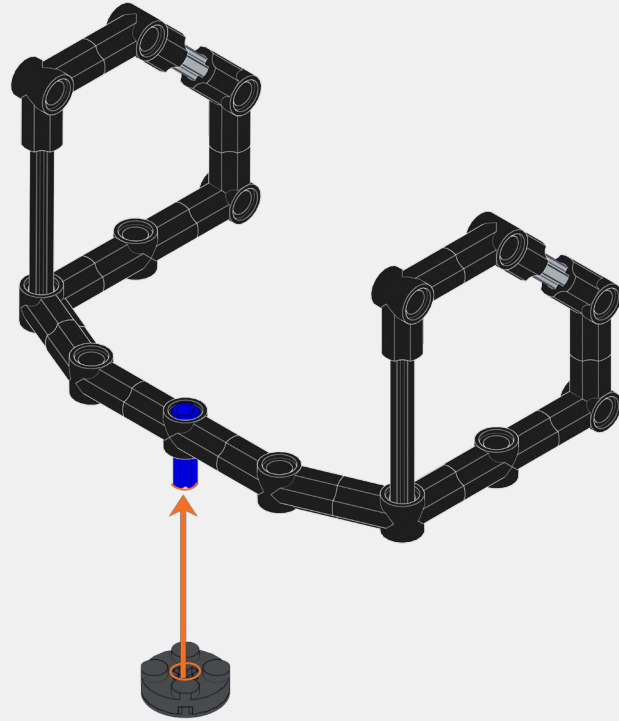
15



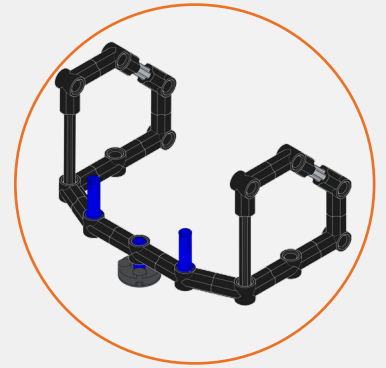
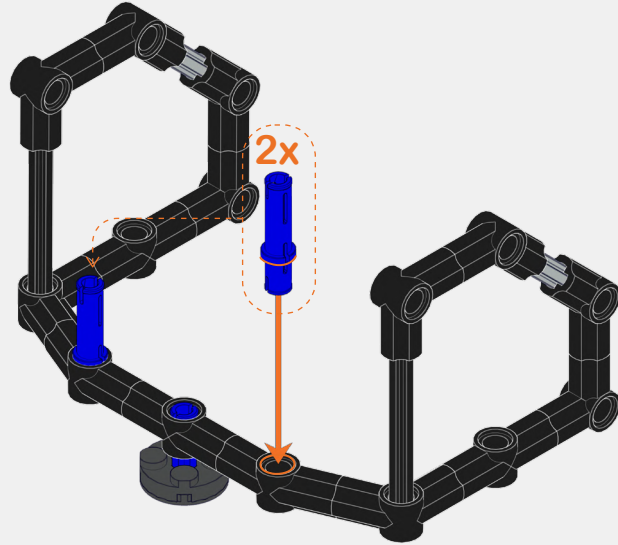
16



17



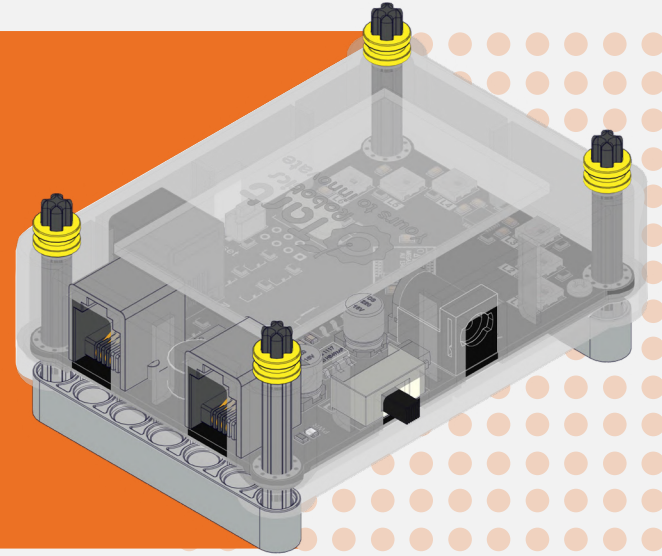
18



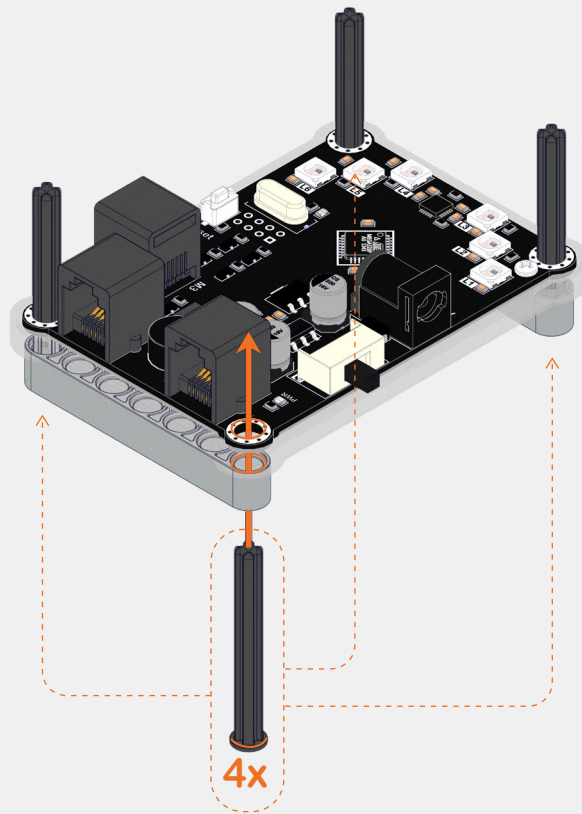
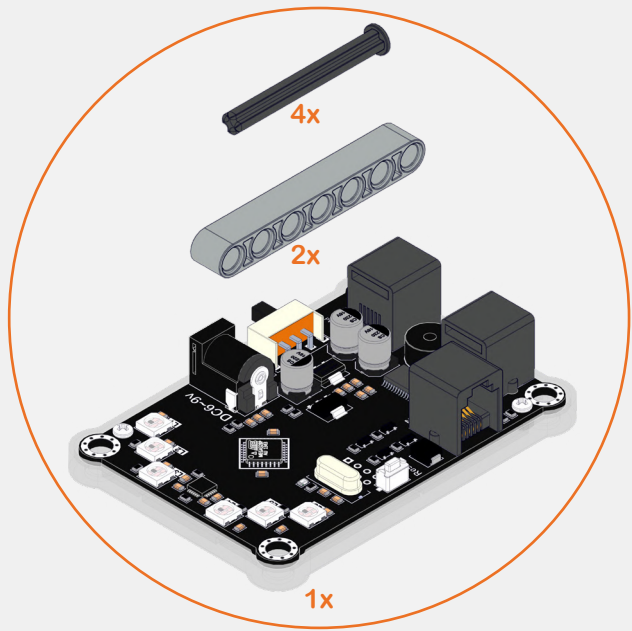
19

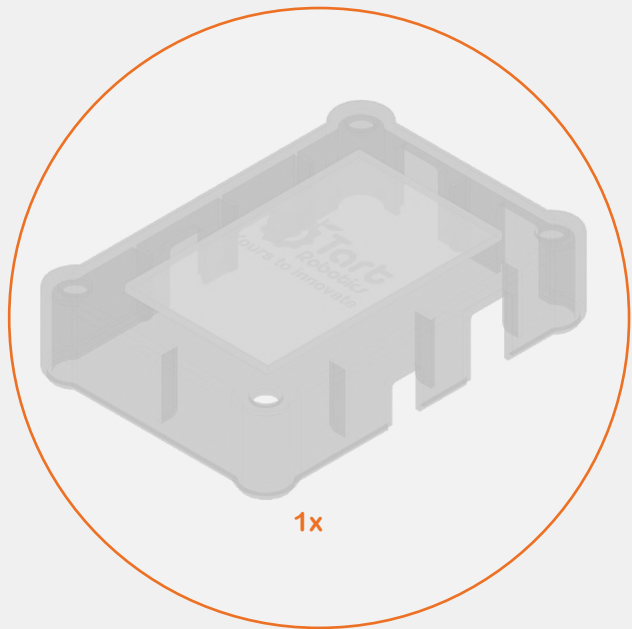
HeaderRobot
Assembly Instructions

▽ Stage 4

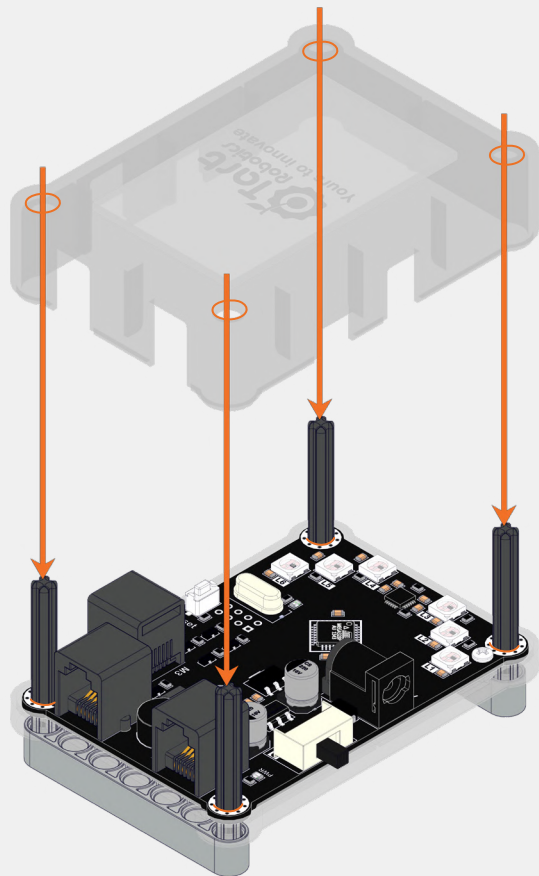


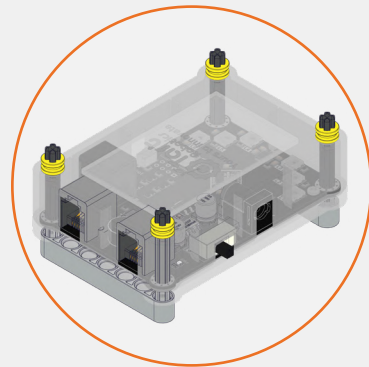
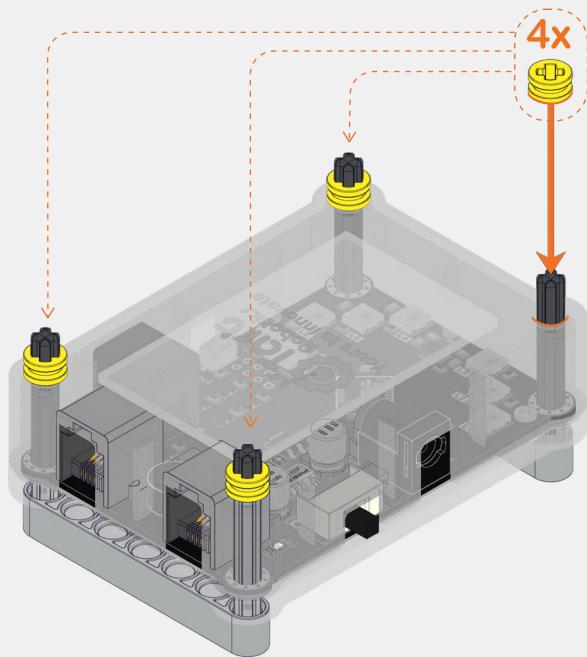
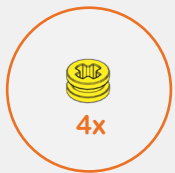
1





2

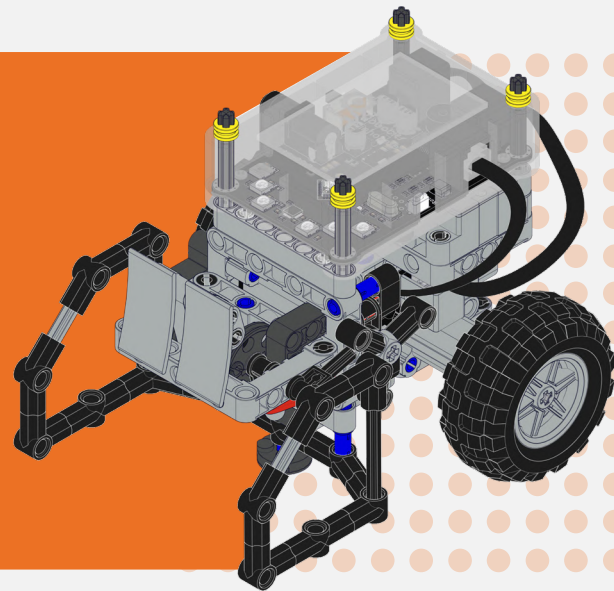




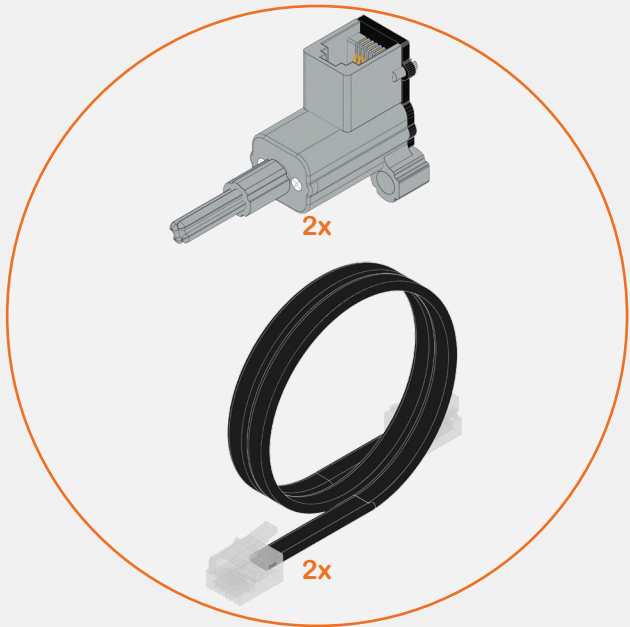
3

Header Robot
Assembly Instructions

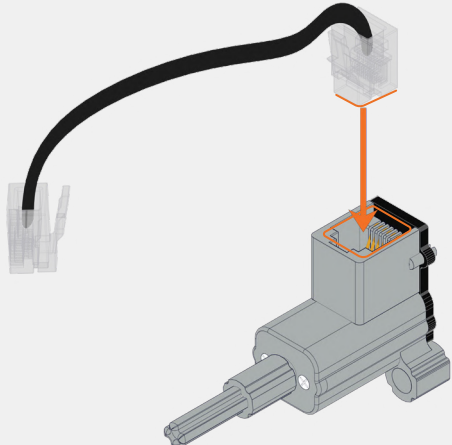
▽ Stage 5

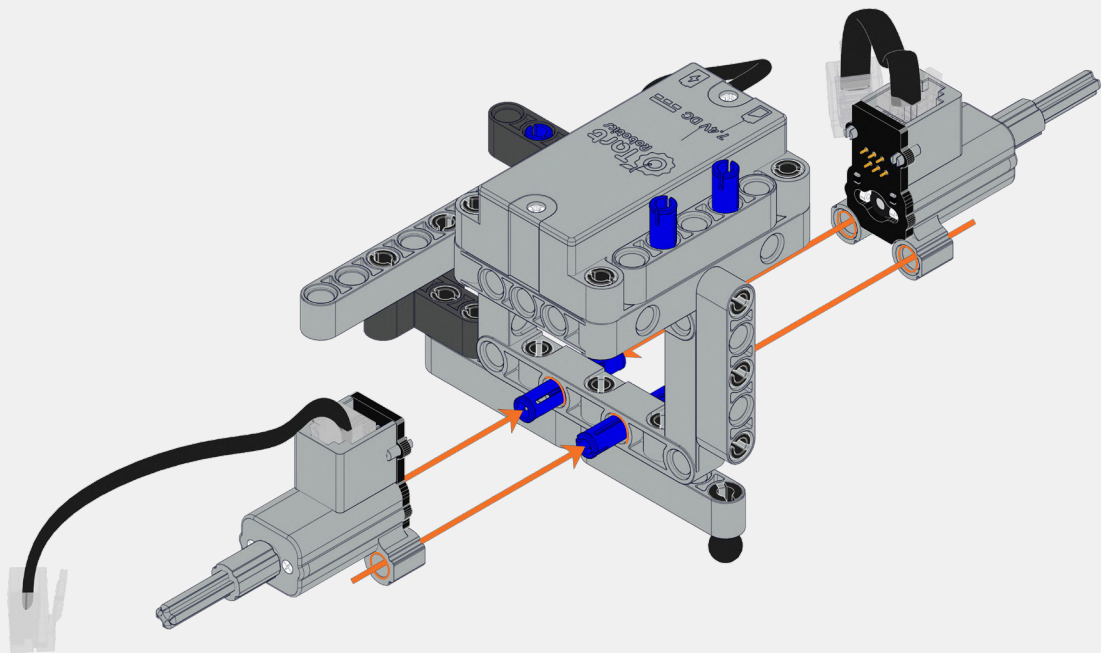


1

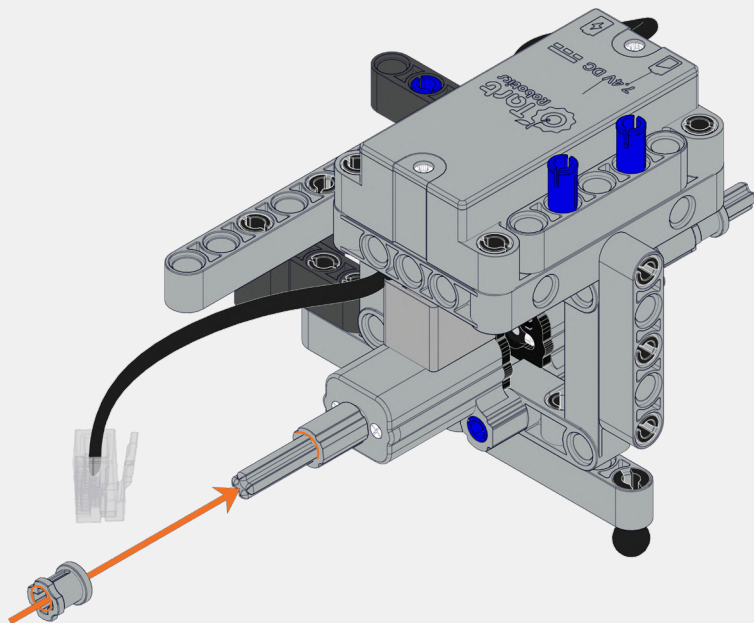


2x

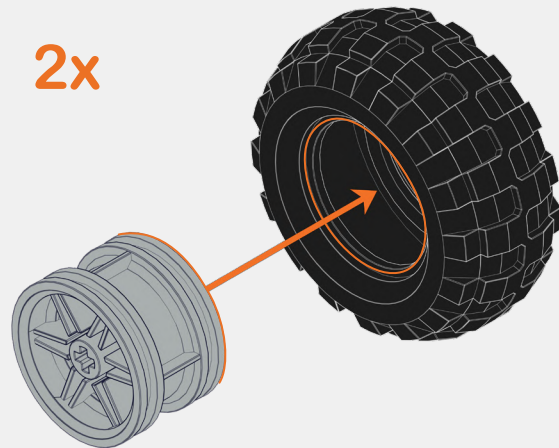




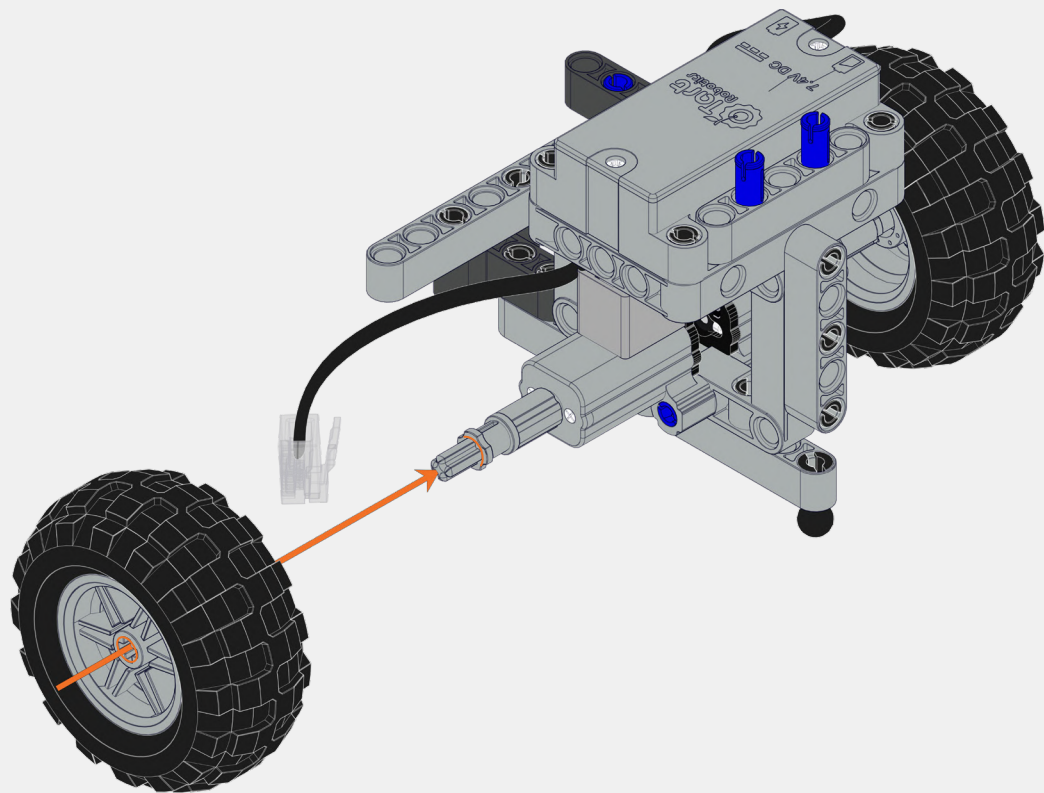
2



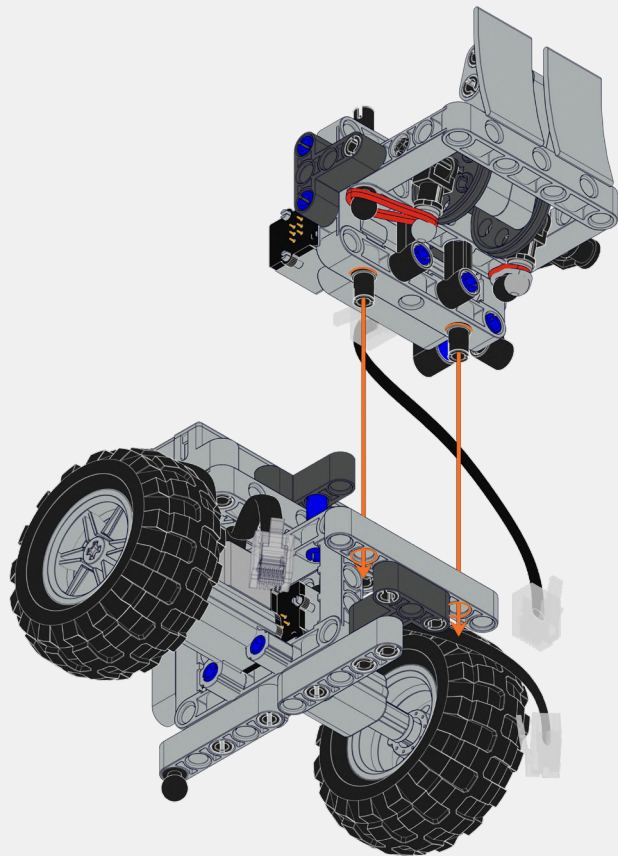
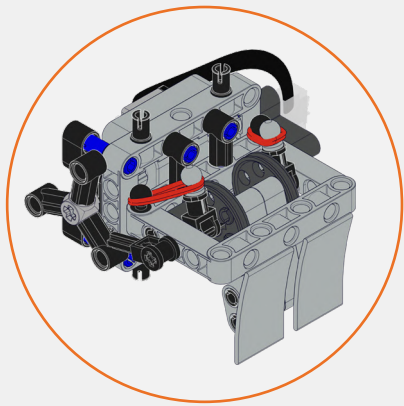
3



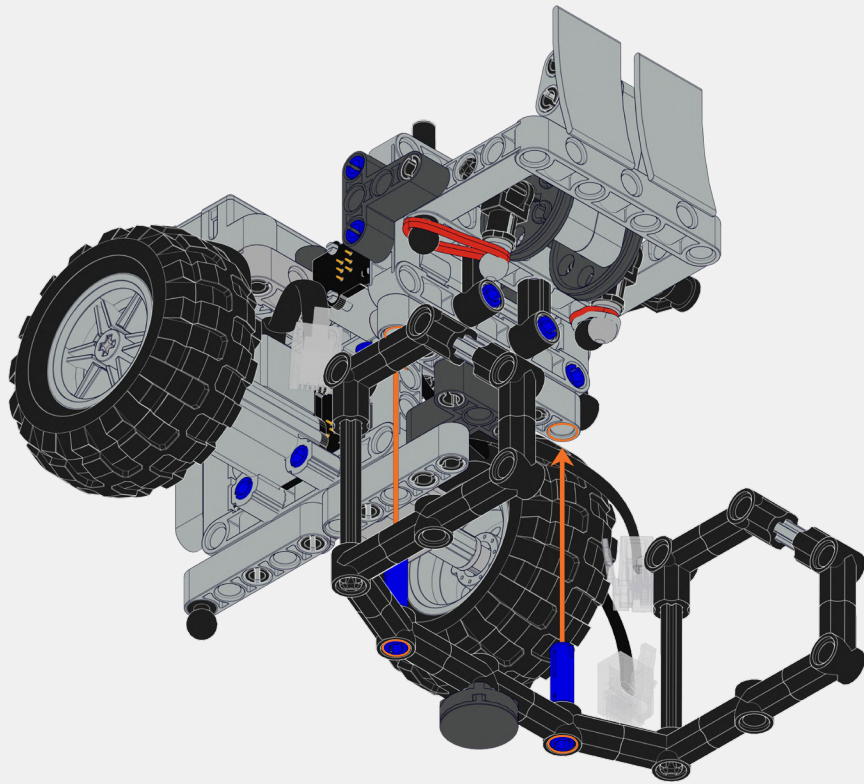
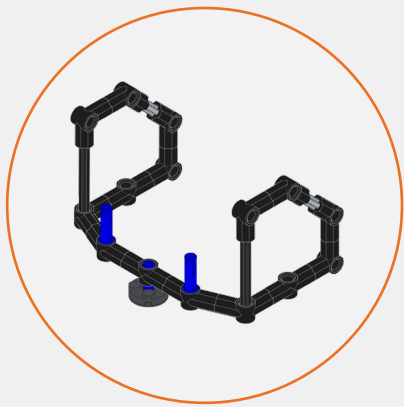
4



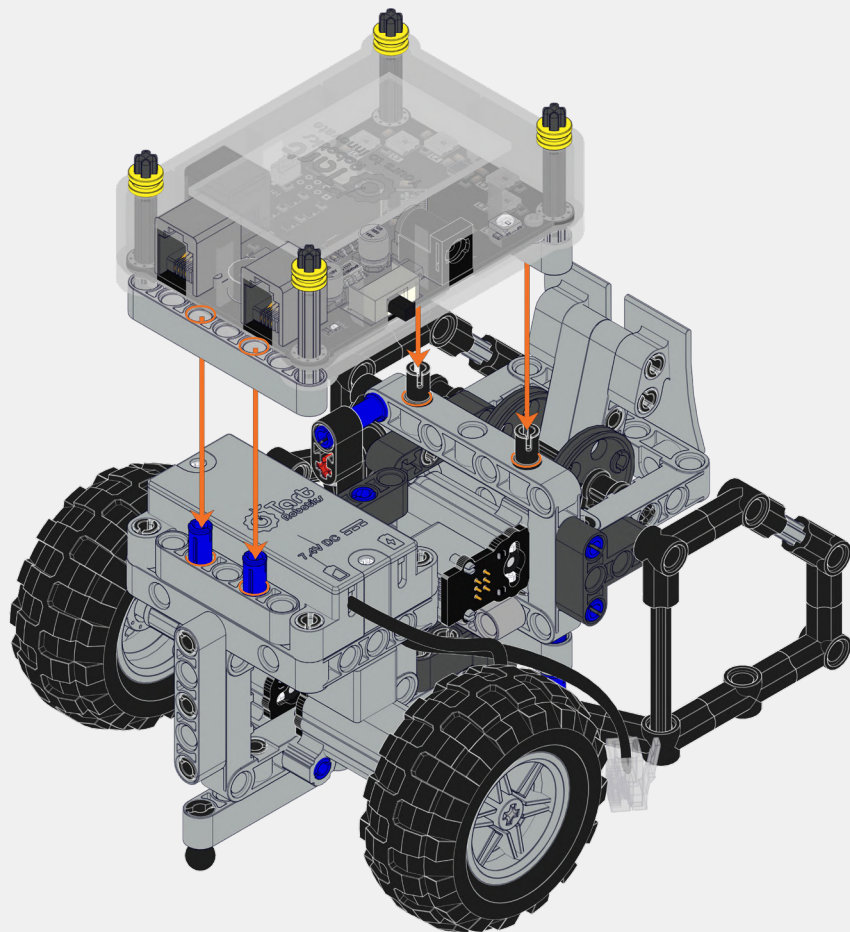
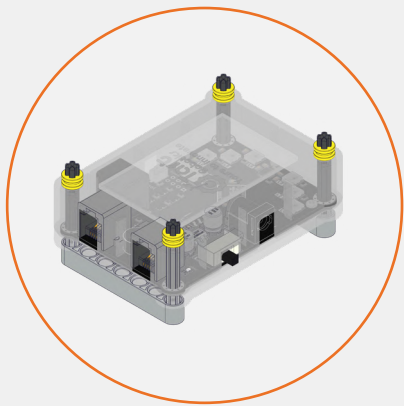
5



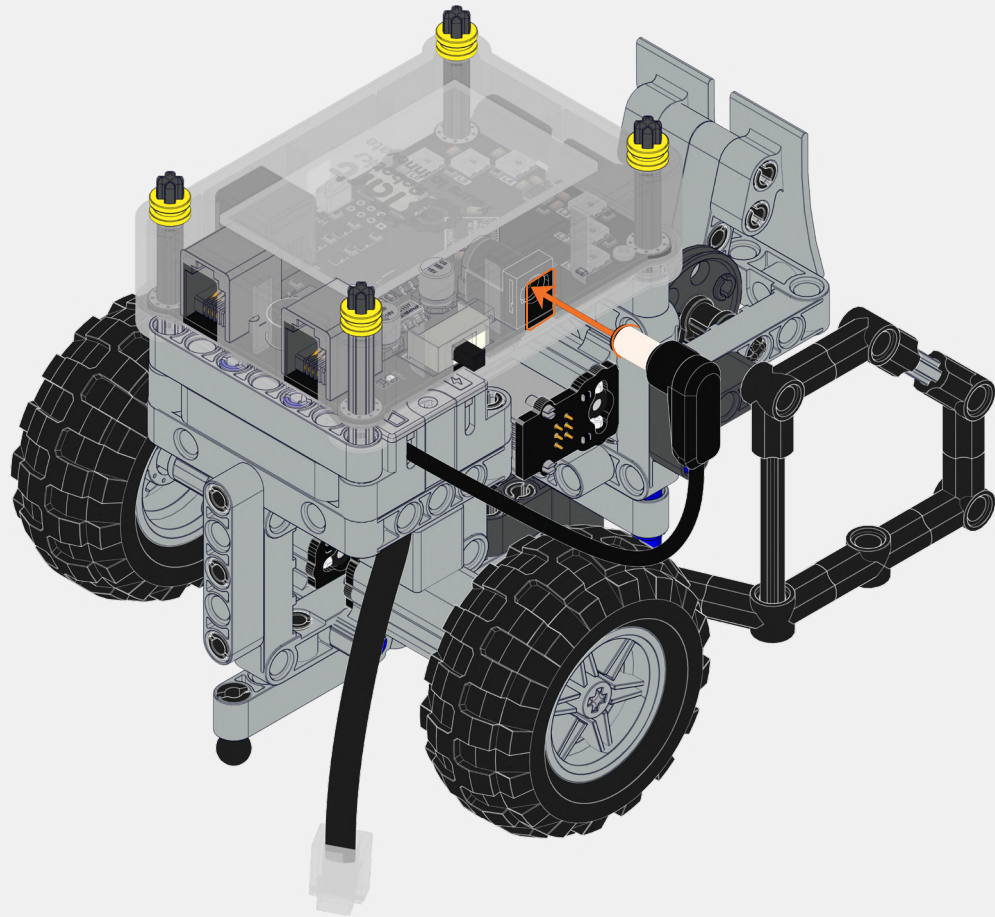
6



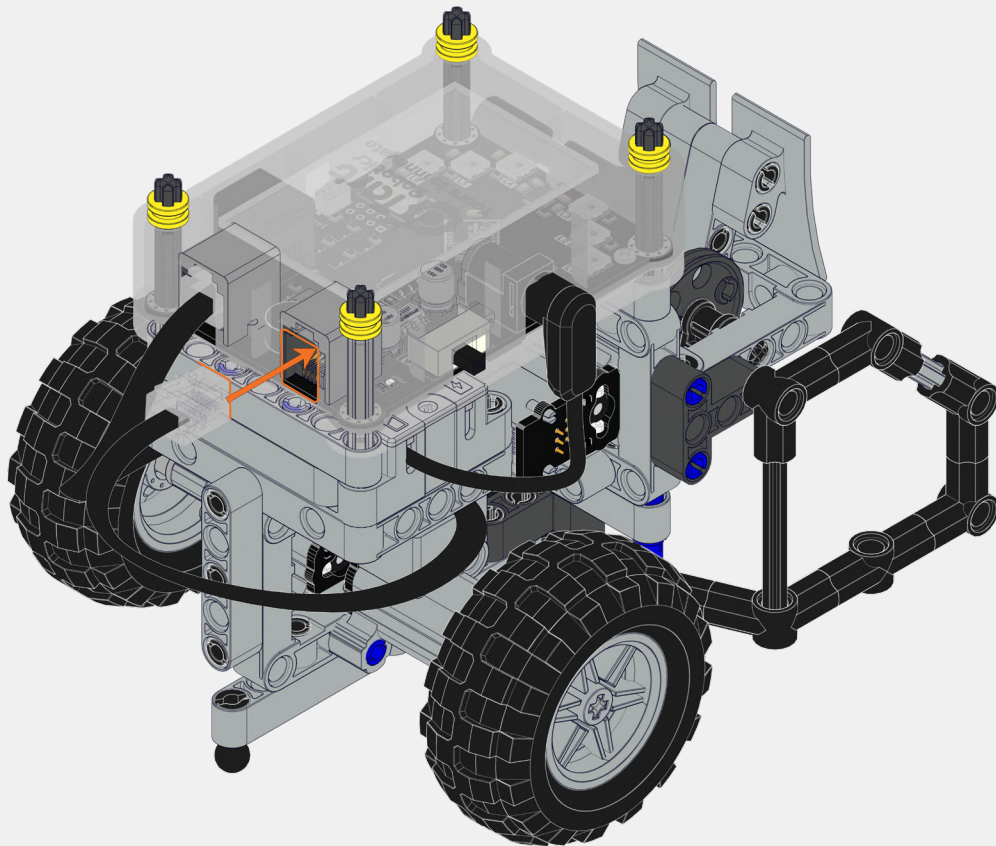
7



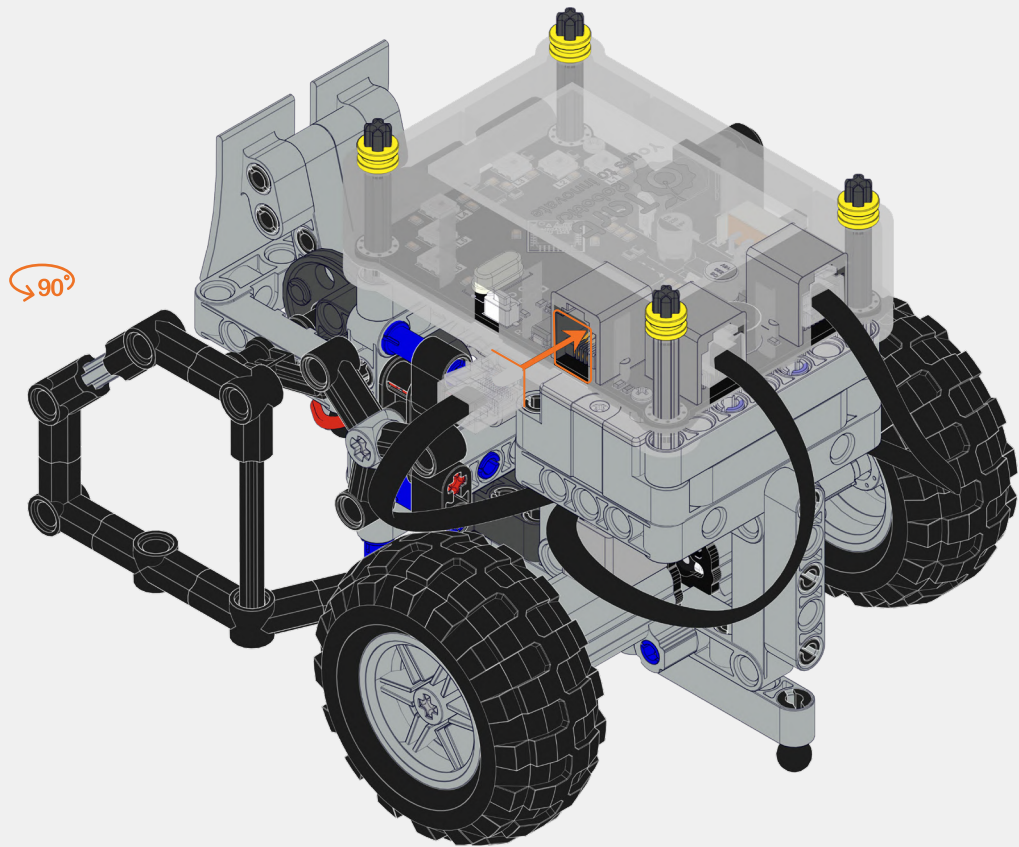
8



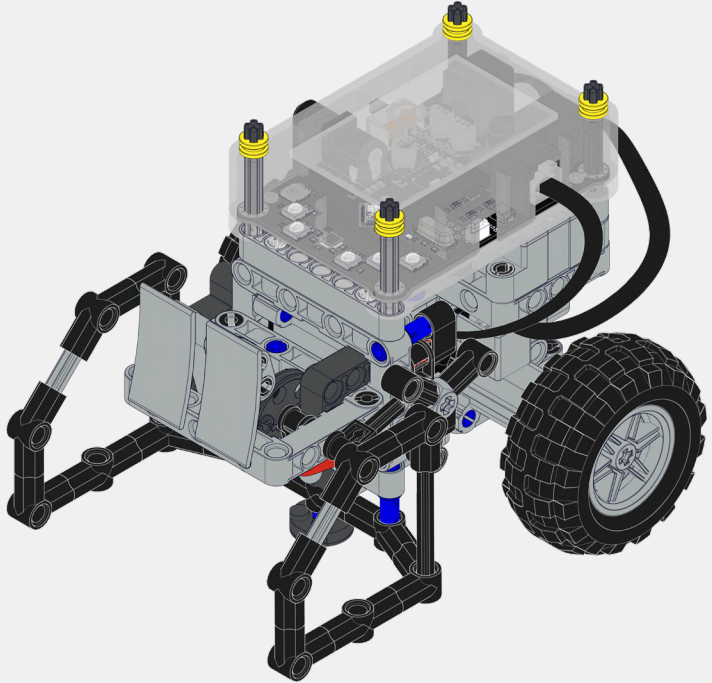
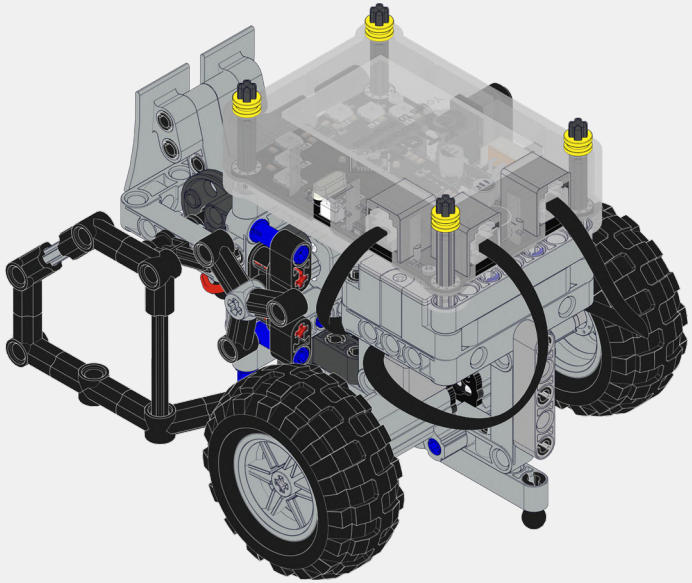
9



10



11



Header Robot Completed

