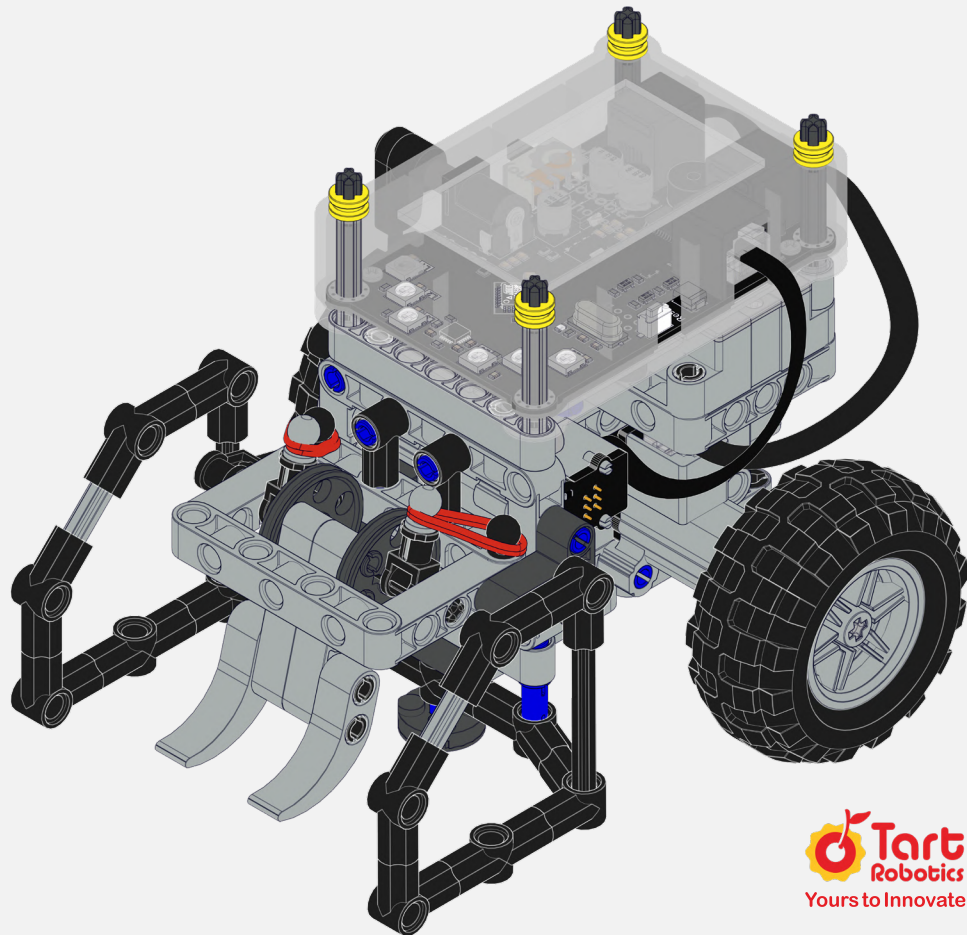
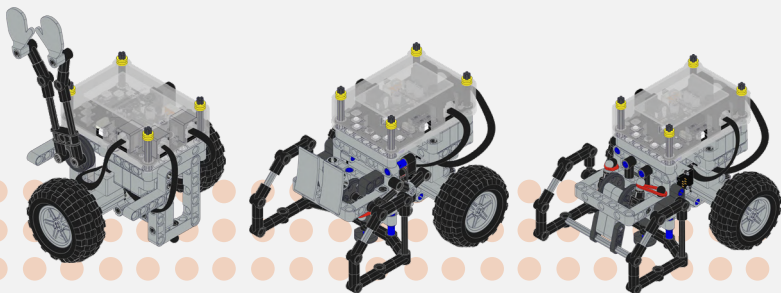


OrangeTart

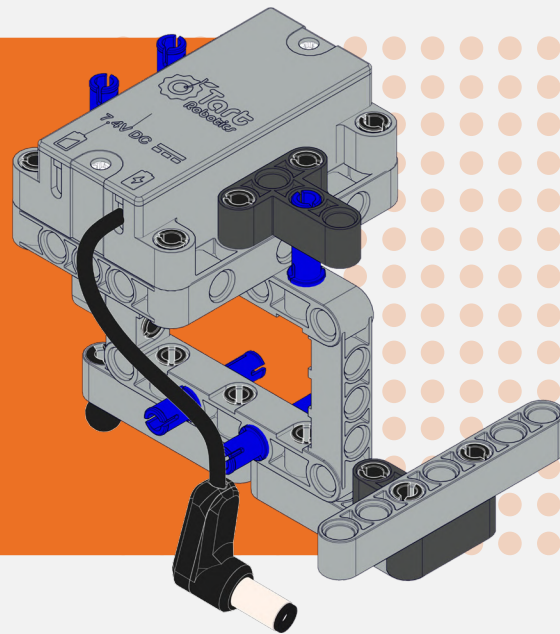
Chipper Robot

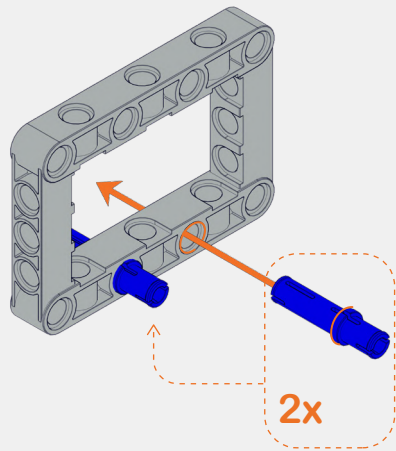
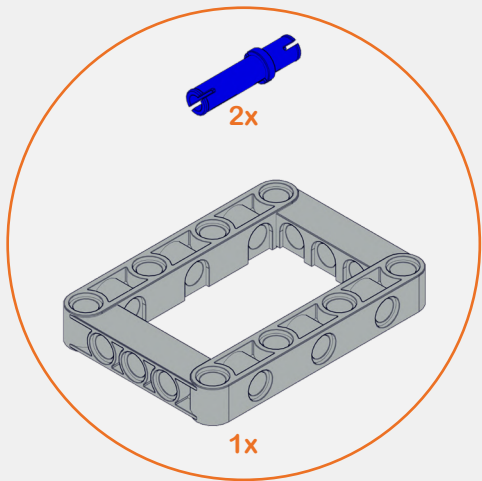
Assembly Instructions



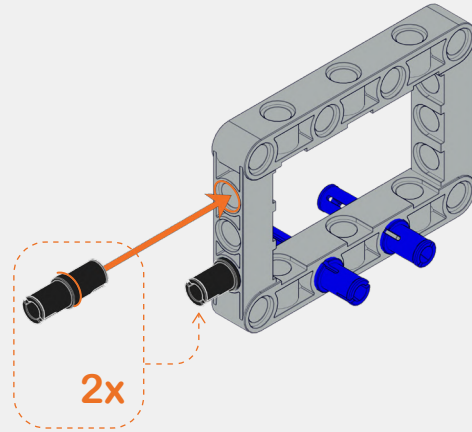
Chipper Robot
Assembly Instructions

▽ Stage 1

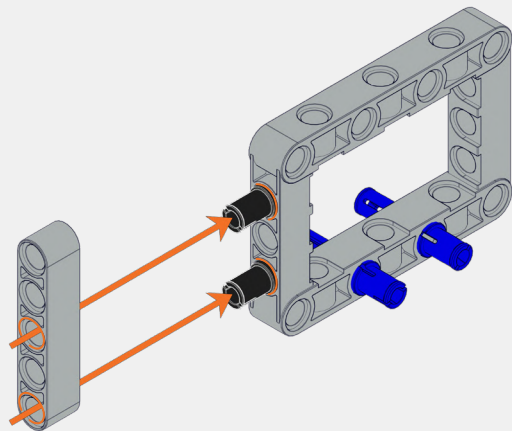
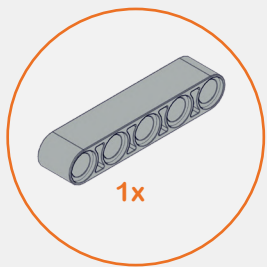




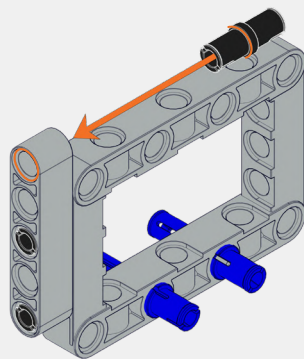
1



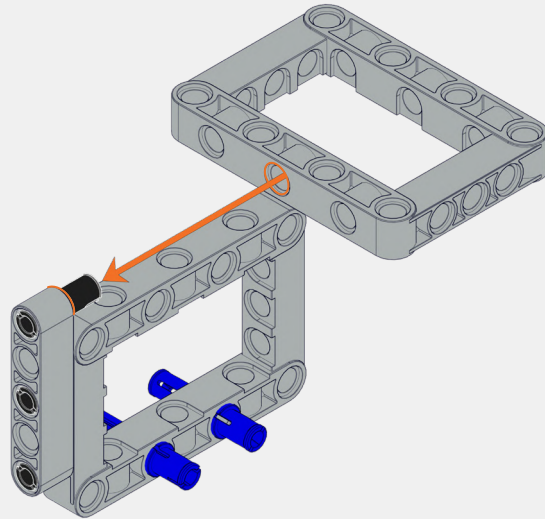
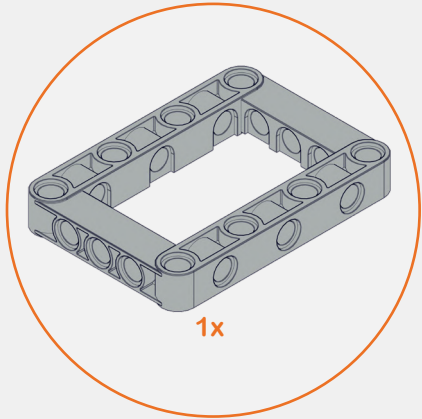
2



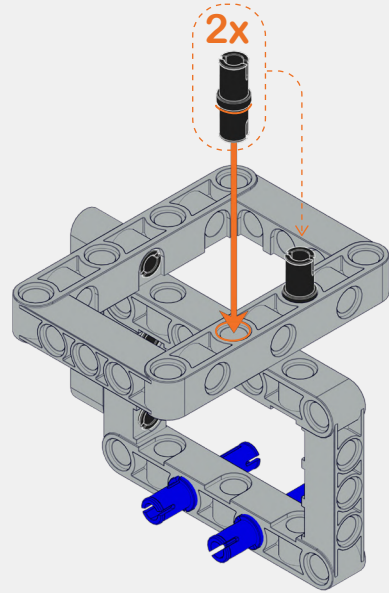
3



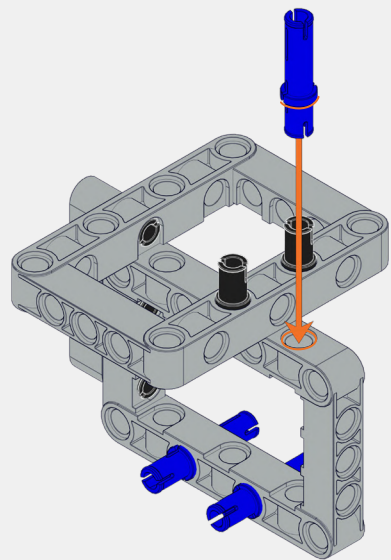
4



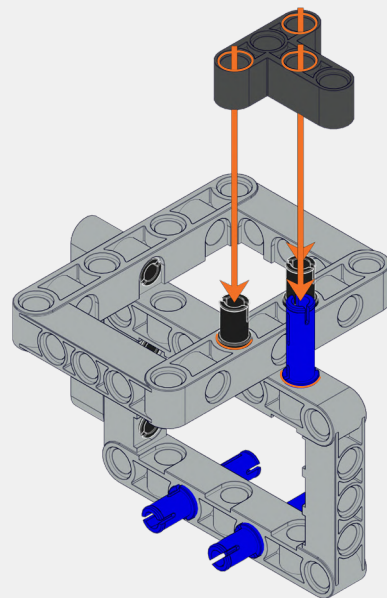
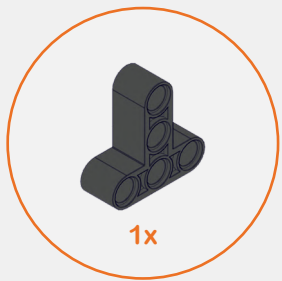
5



6



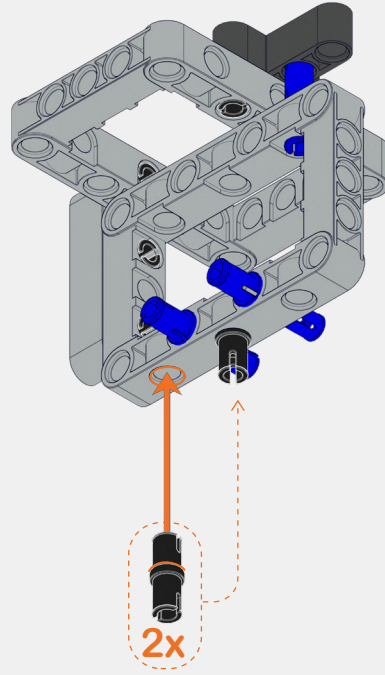
7

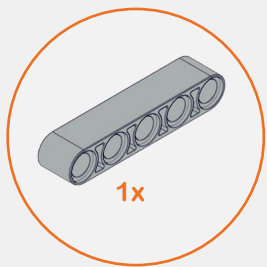


8

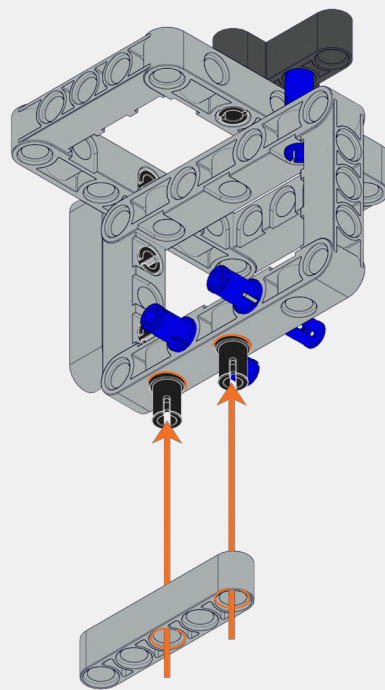


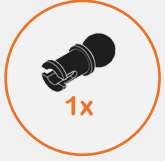
9



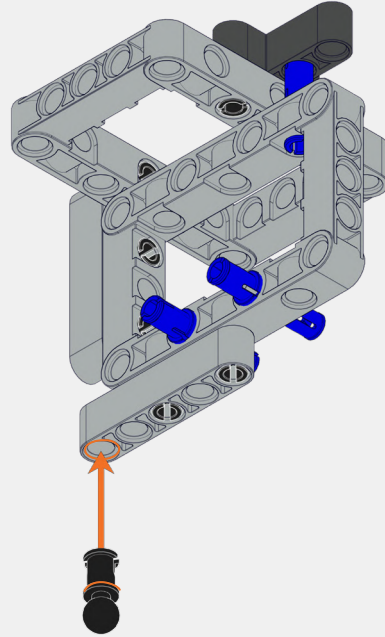


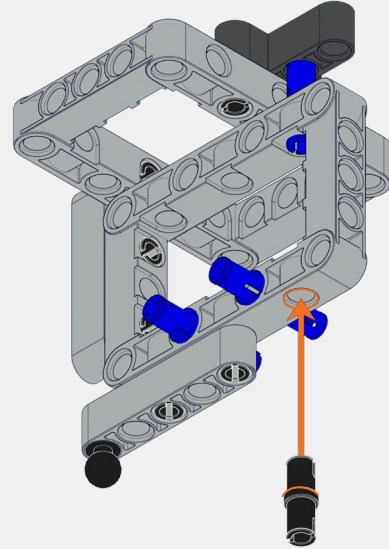
10



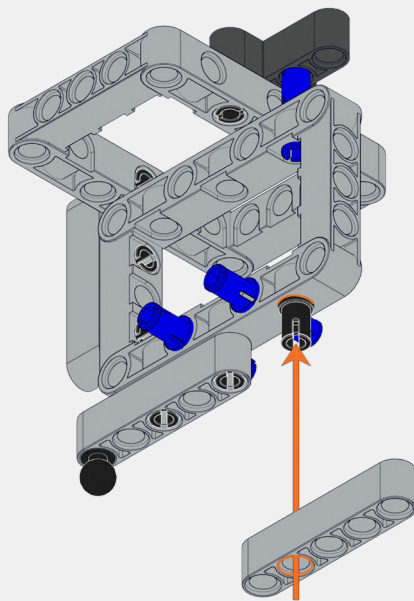
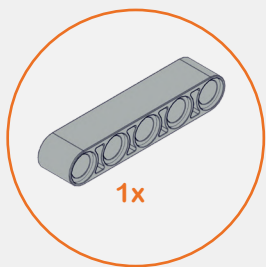


11

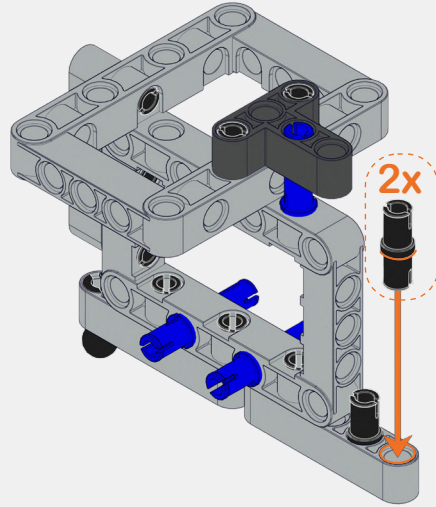




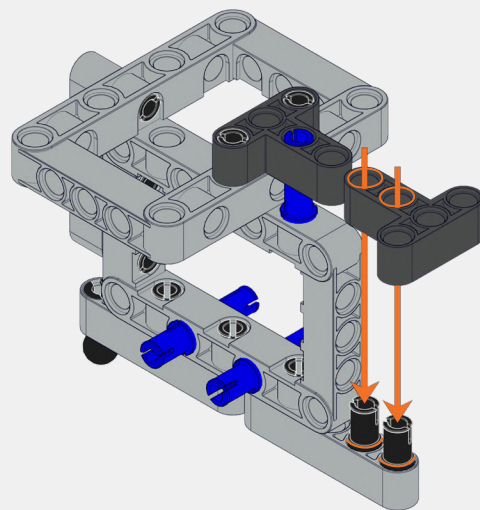
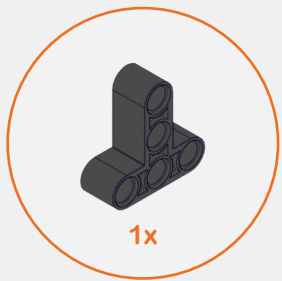
12



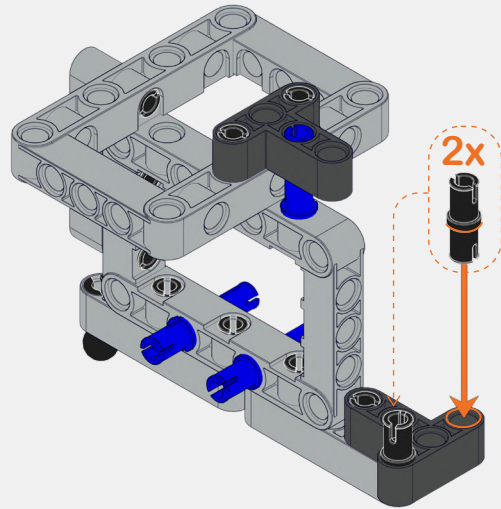
13



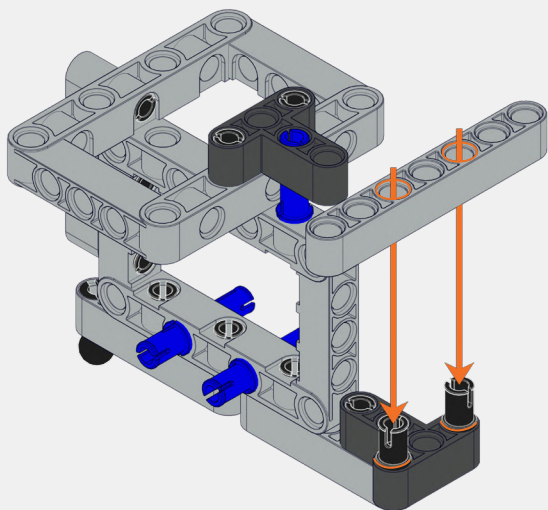
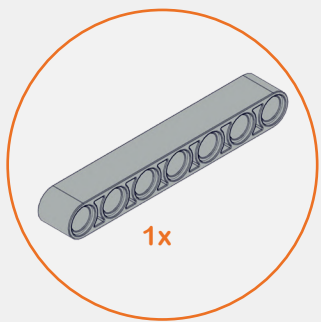
14



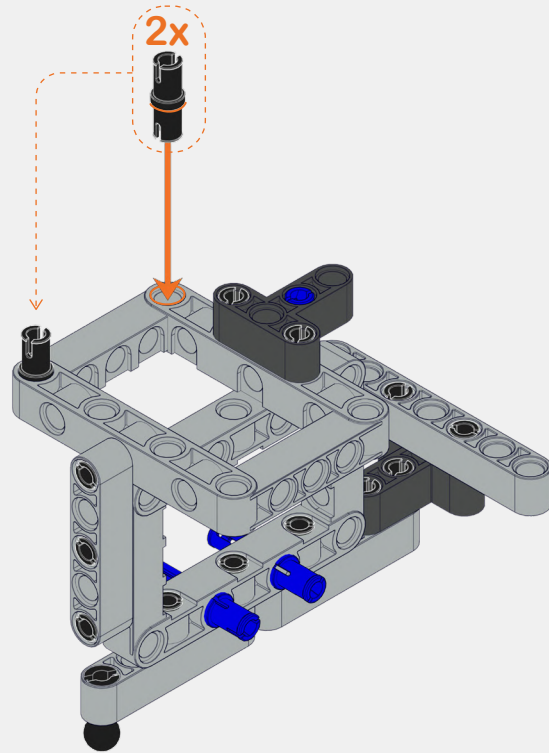
15



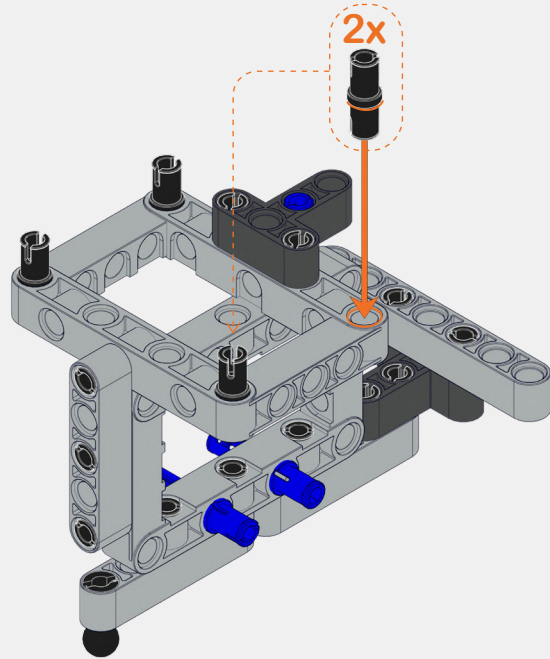
16



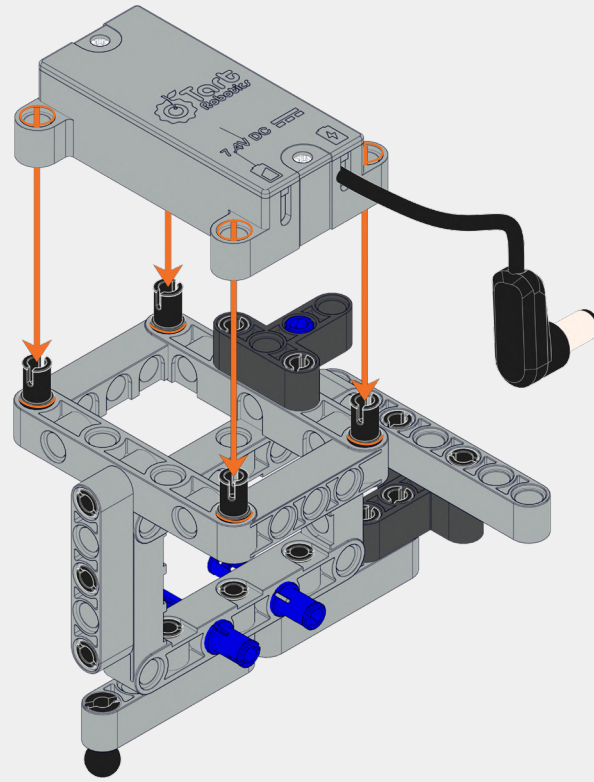
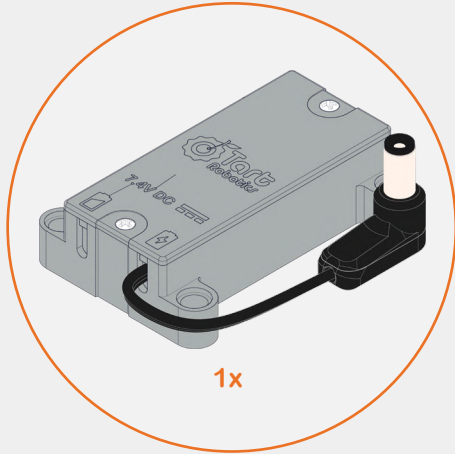
17



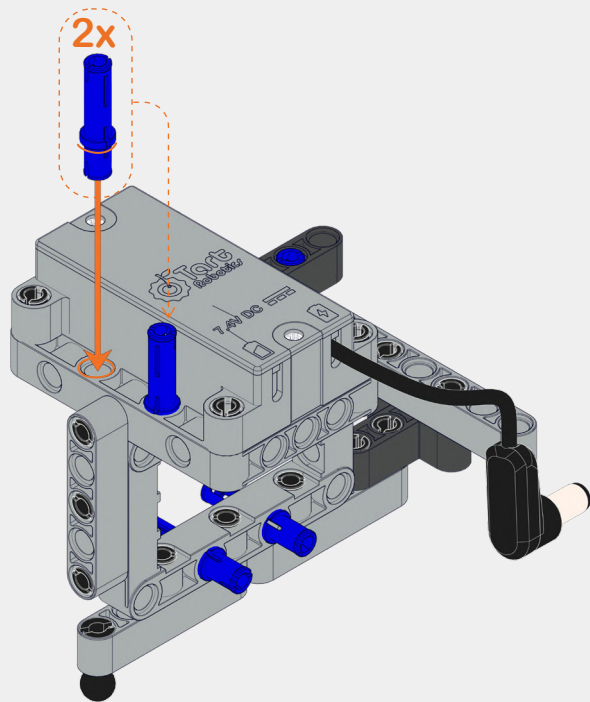
18



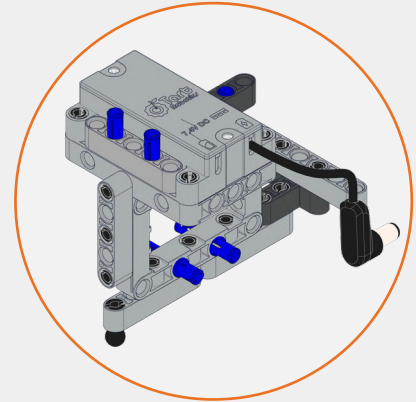
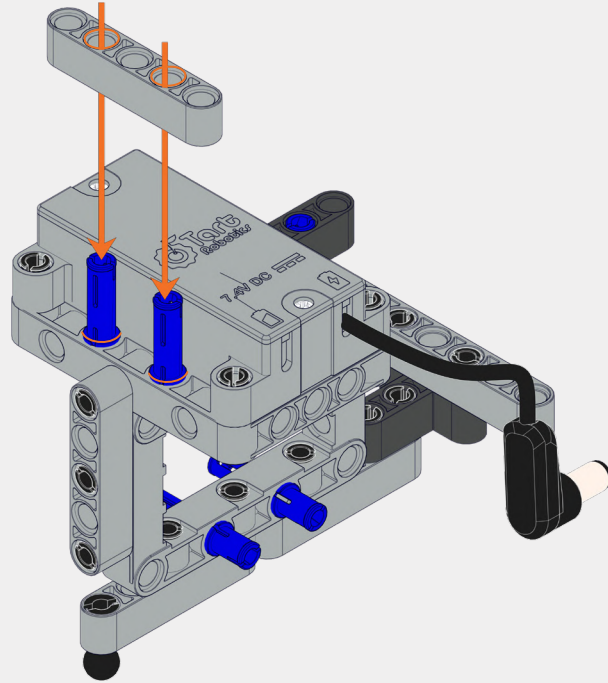
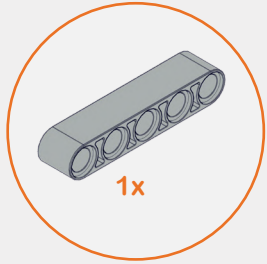
19

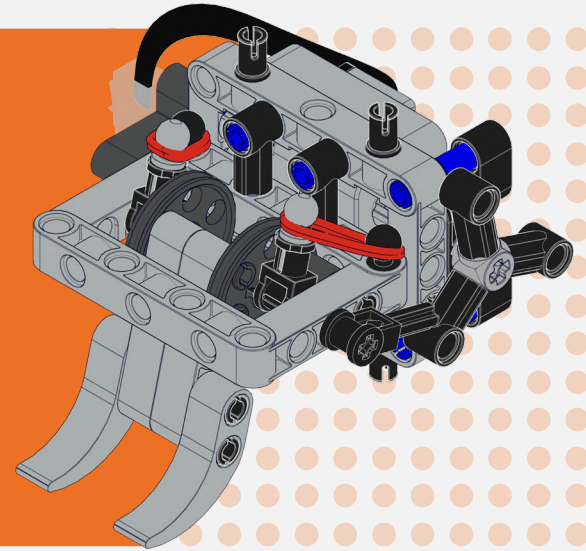


20



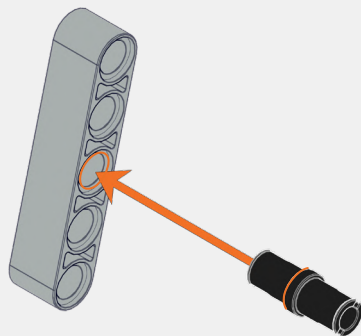
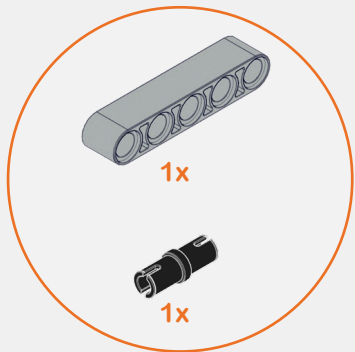
21



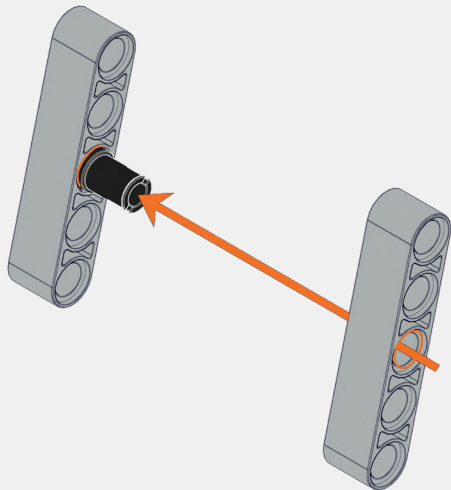
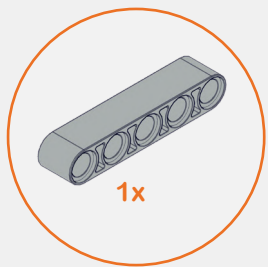


Chipper Robot
Assembly Instructions

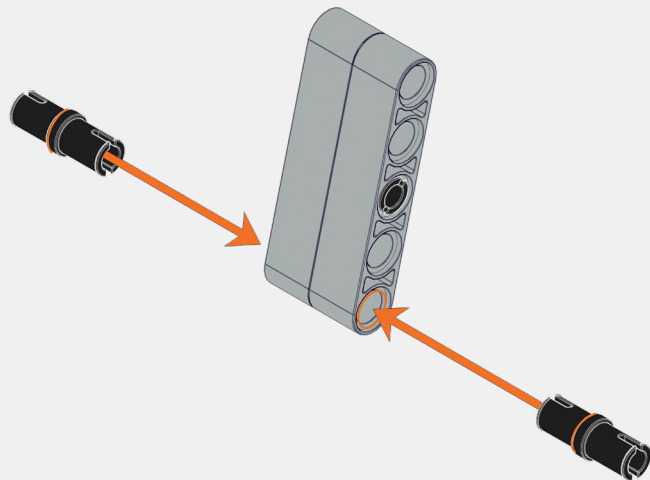
▽ Stage 2



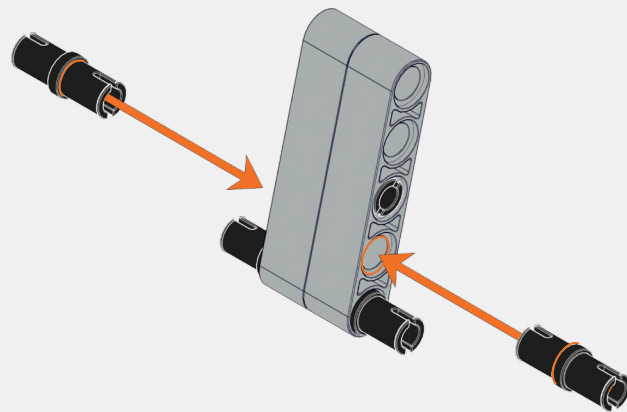
1



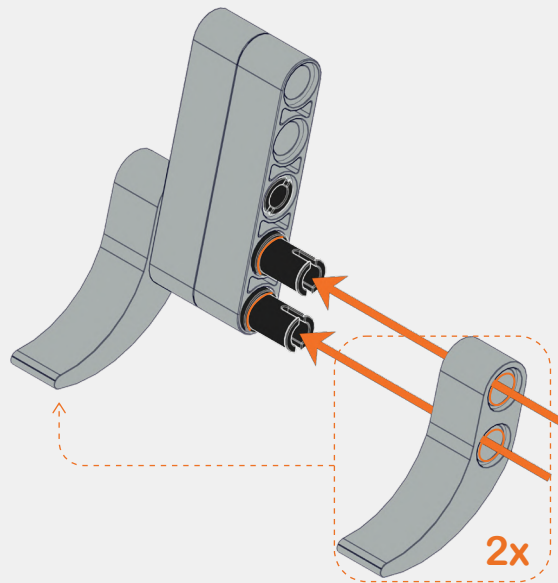
2



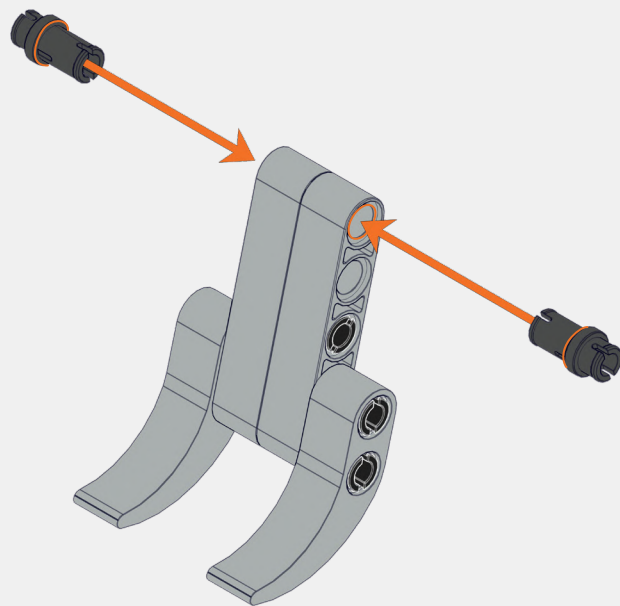
3



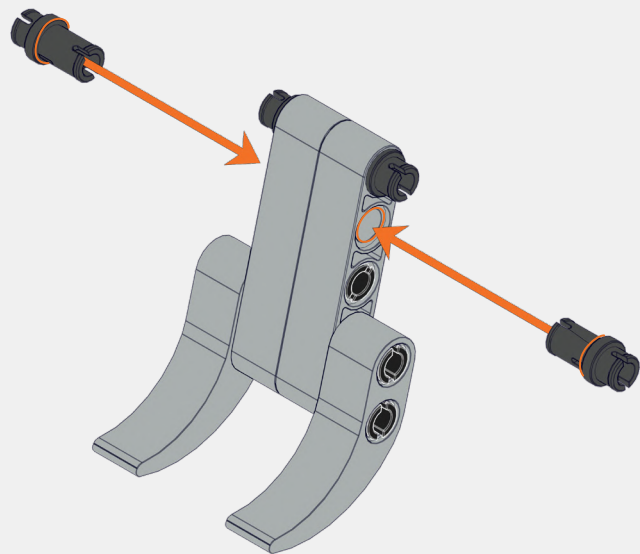
4



5



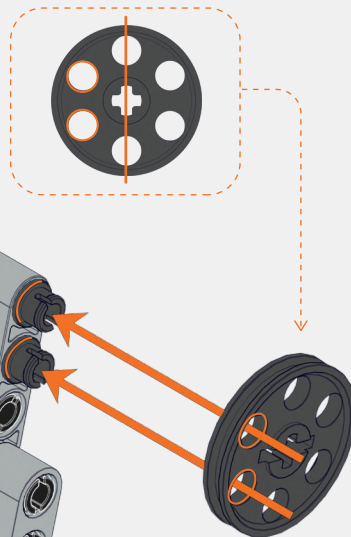
6



7

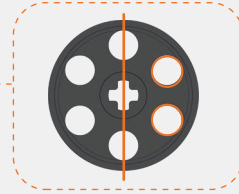


Please follow the assembly procedure as indicated in the figure.

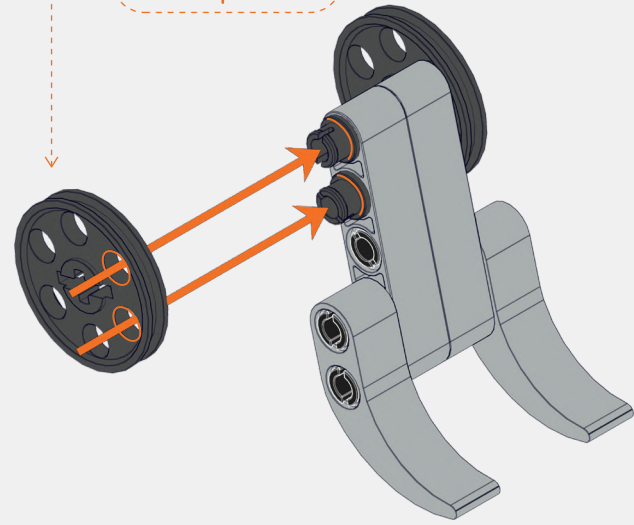




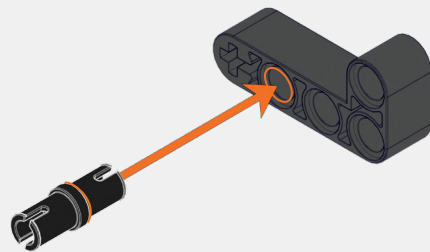
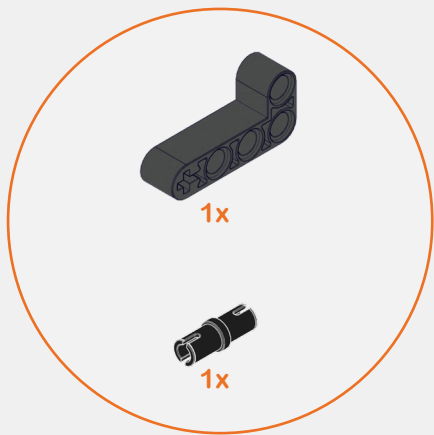
Please follow the assembly procedure as indicated in the figure.



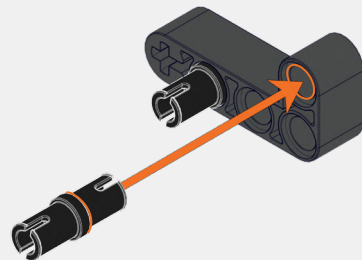
↻ 90°



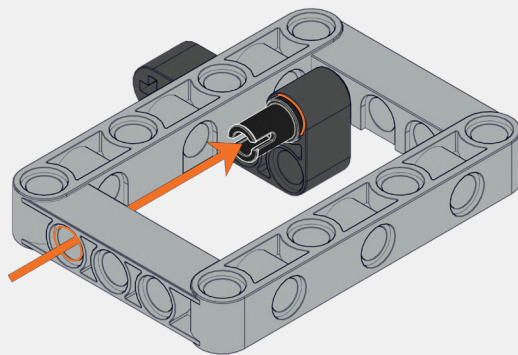
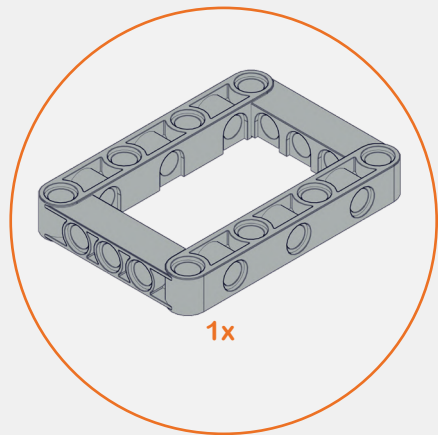
9



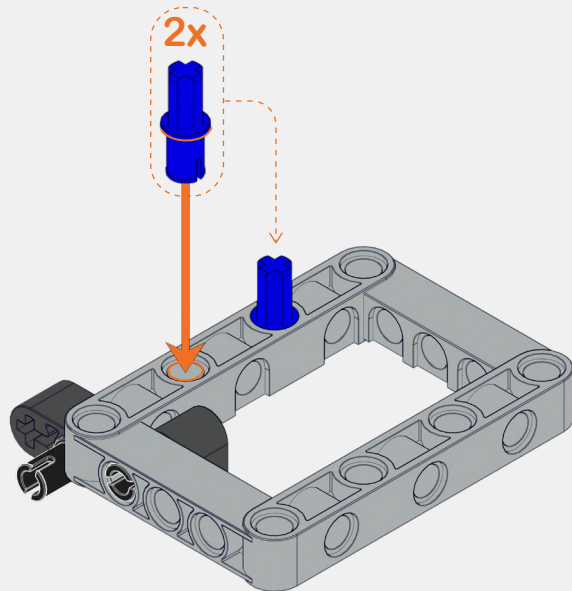
10



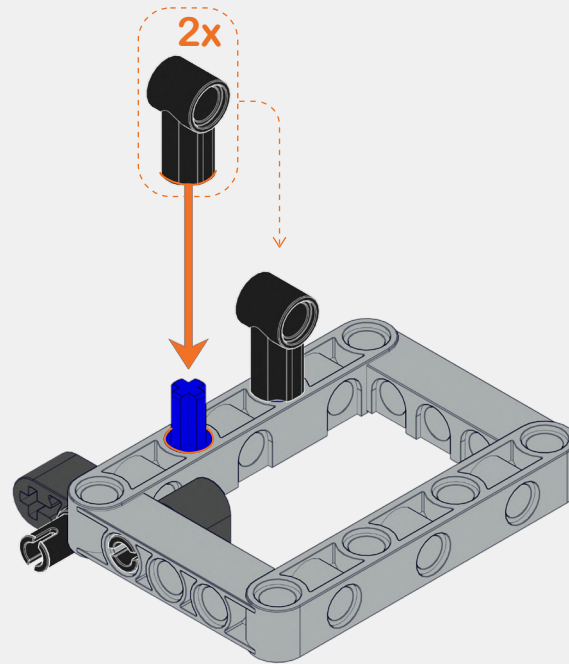
11



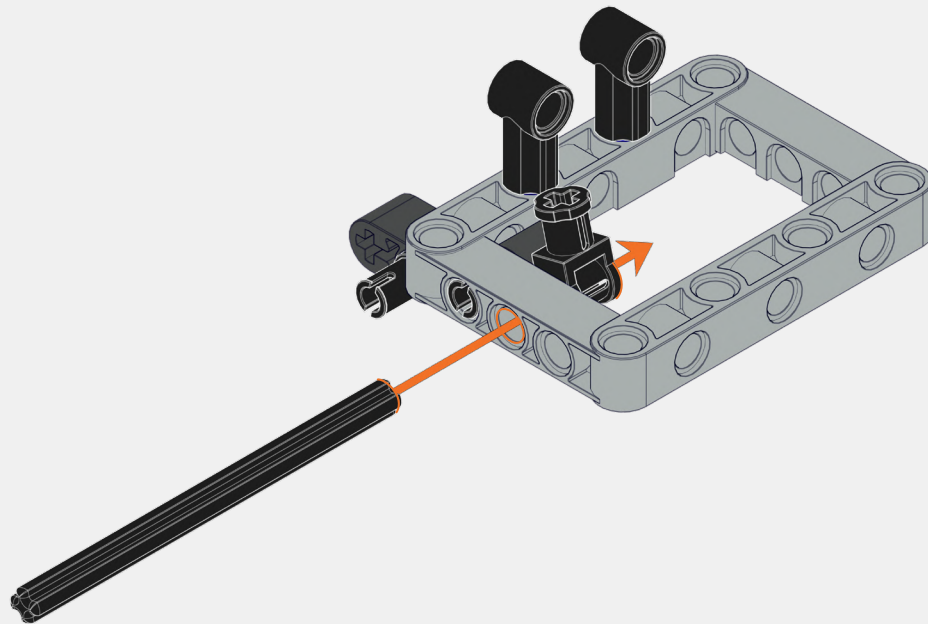
12



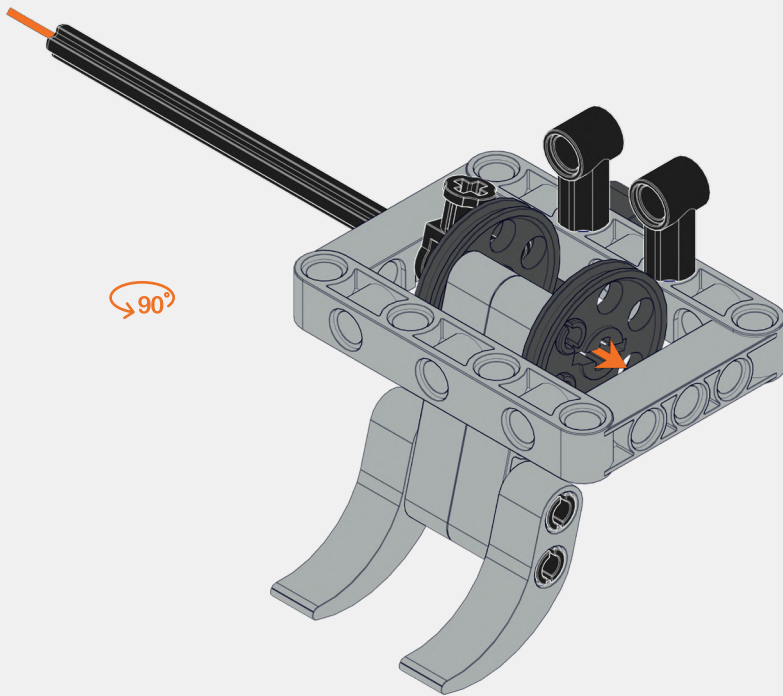
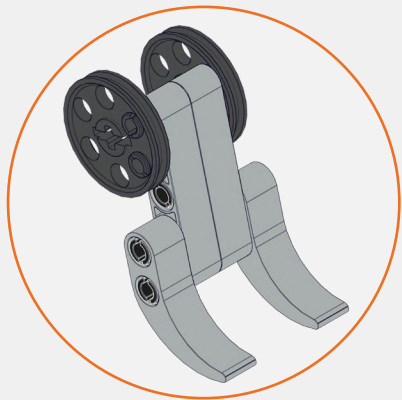
13



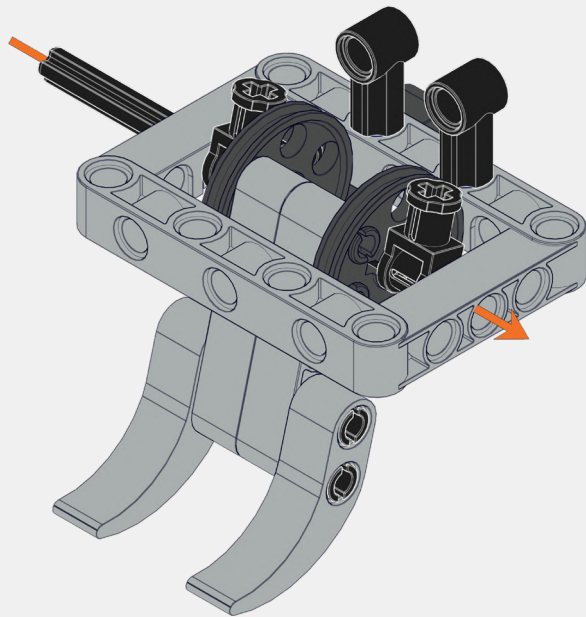
14



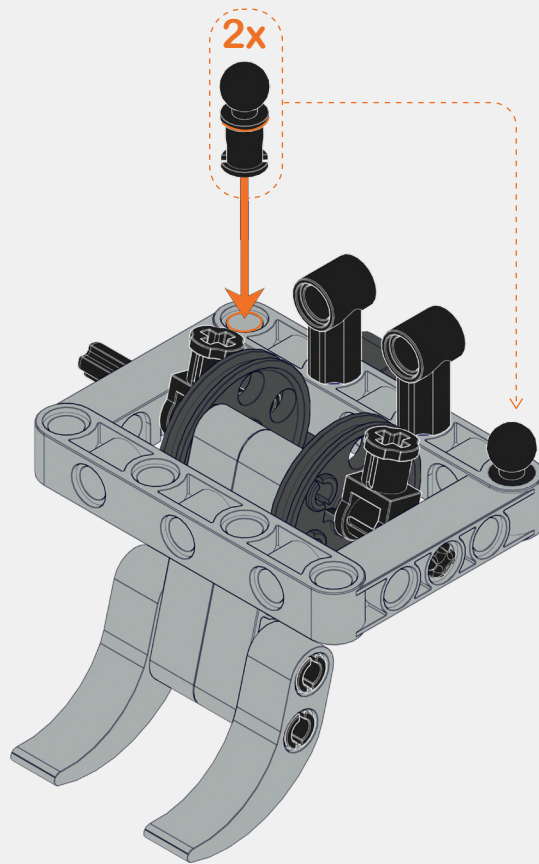
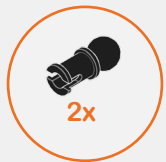
15



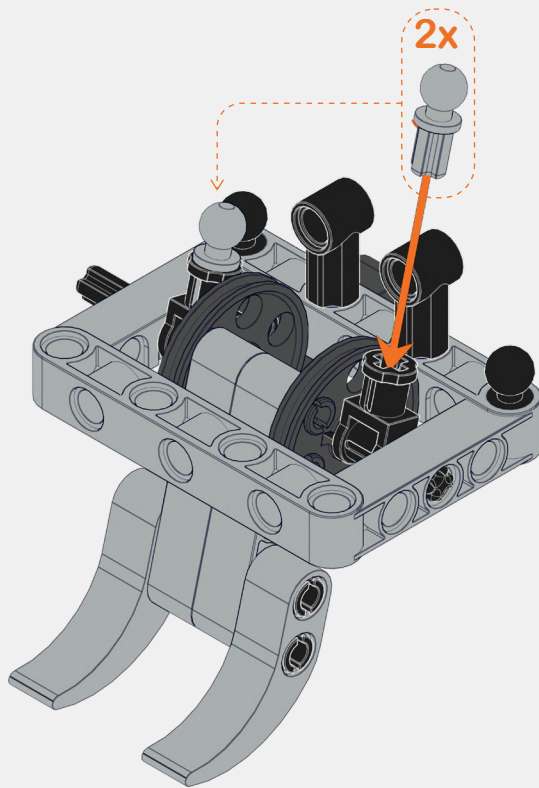
16



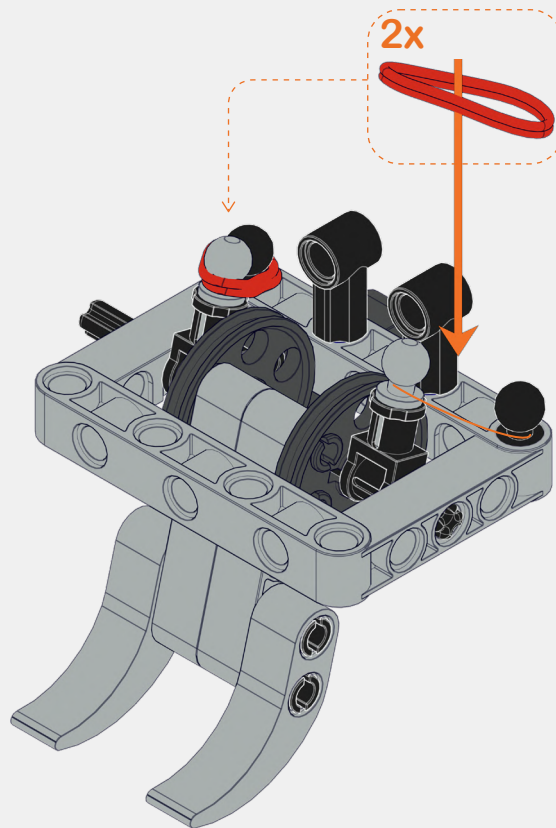
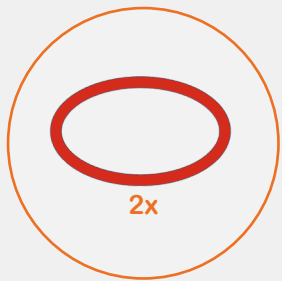
17



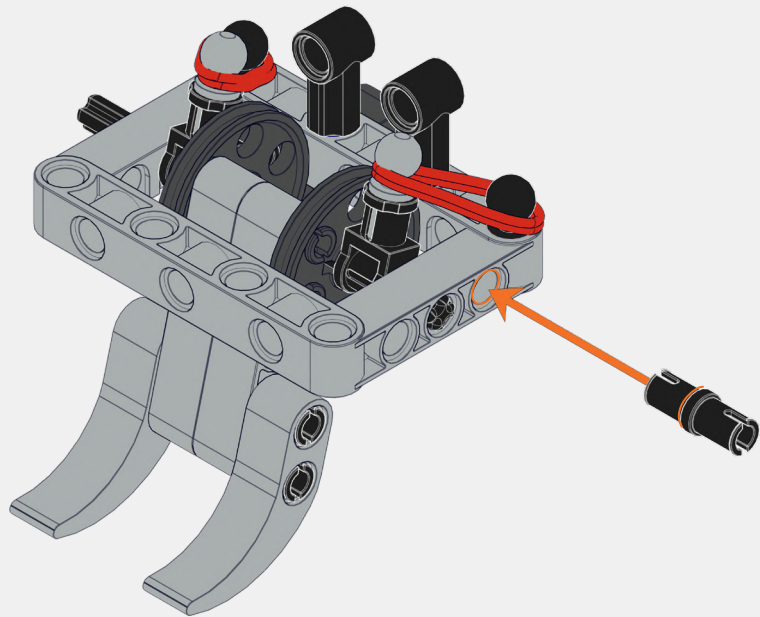
18



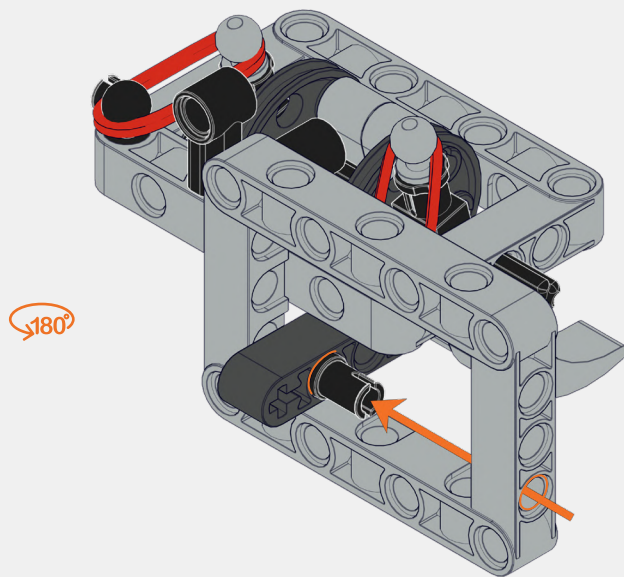
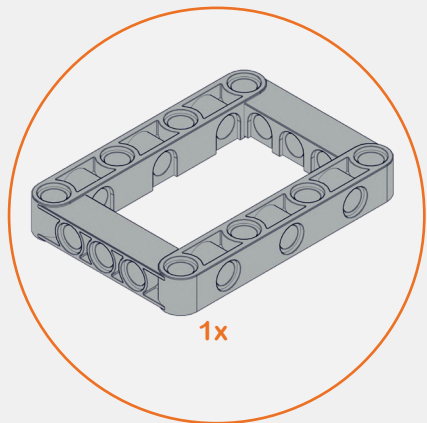
19



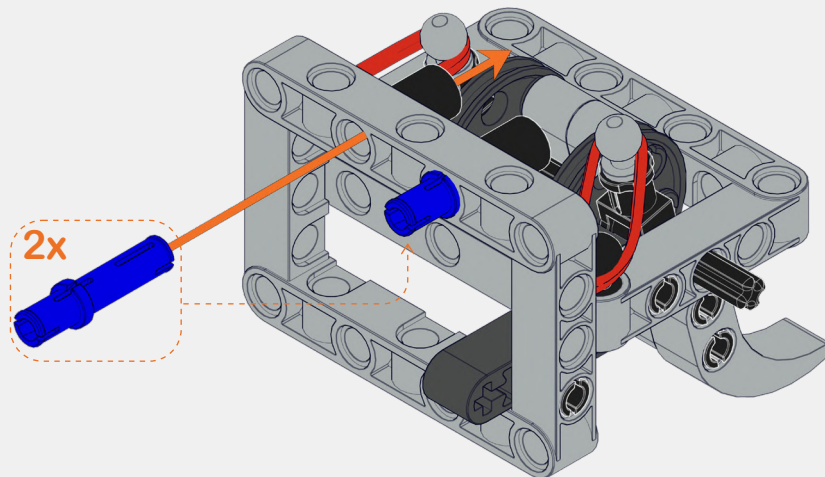
20



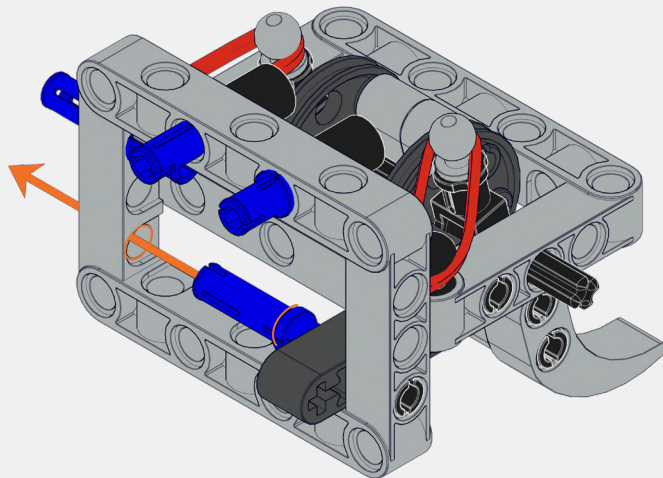
21



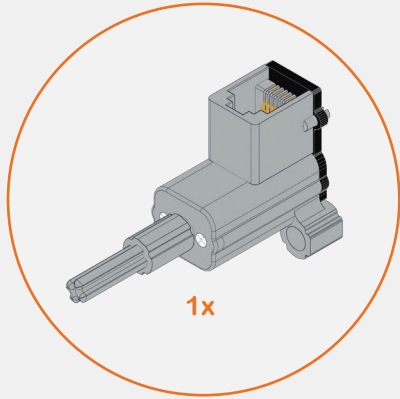
22



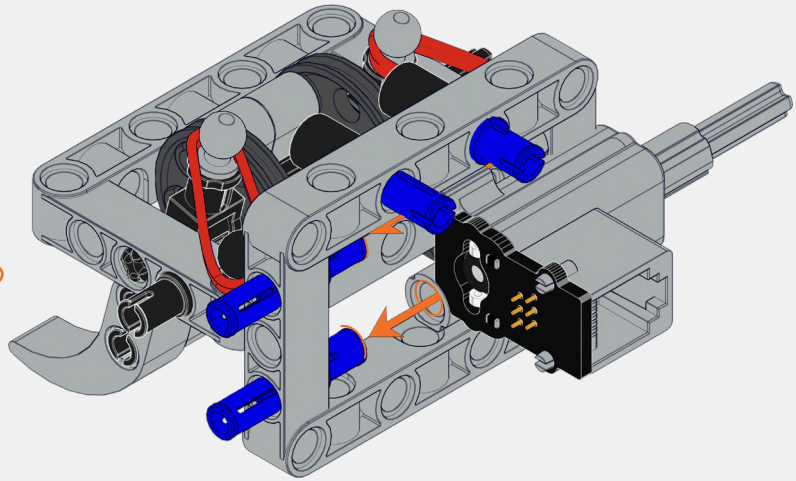
23

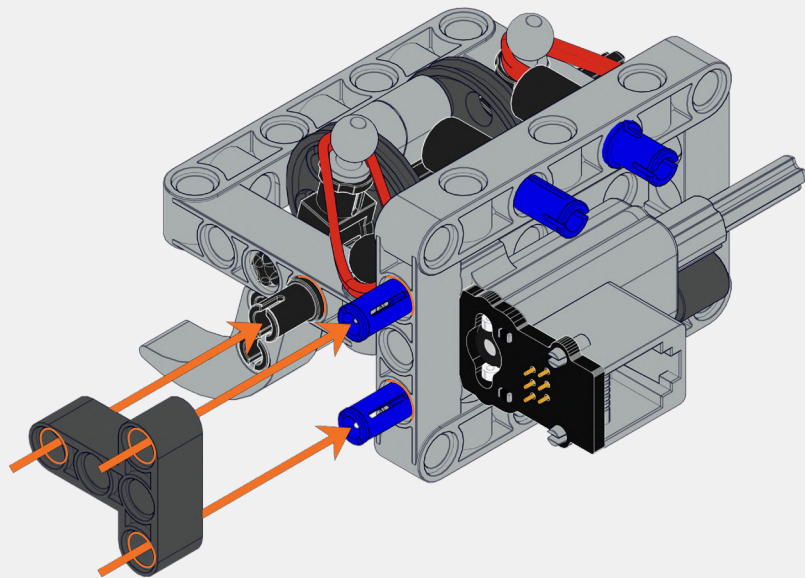
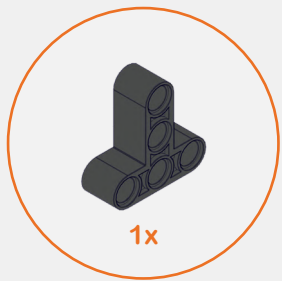


24

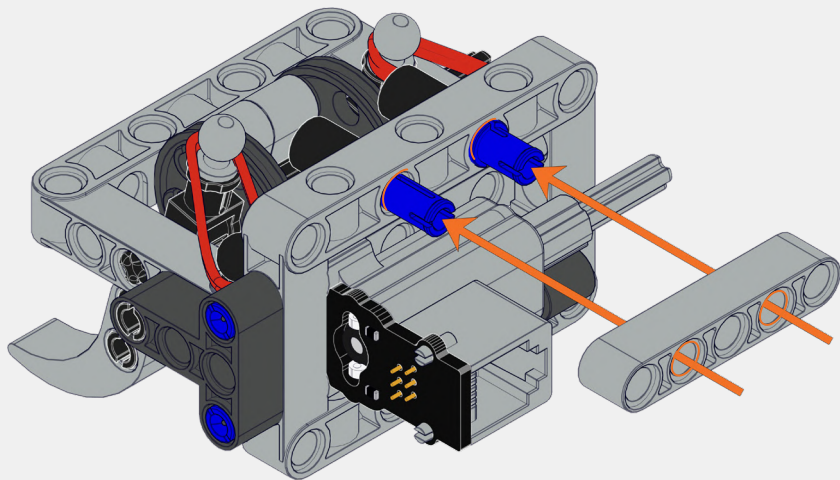
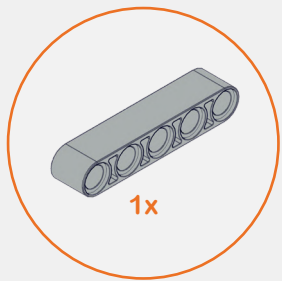


↻90°





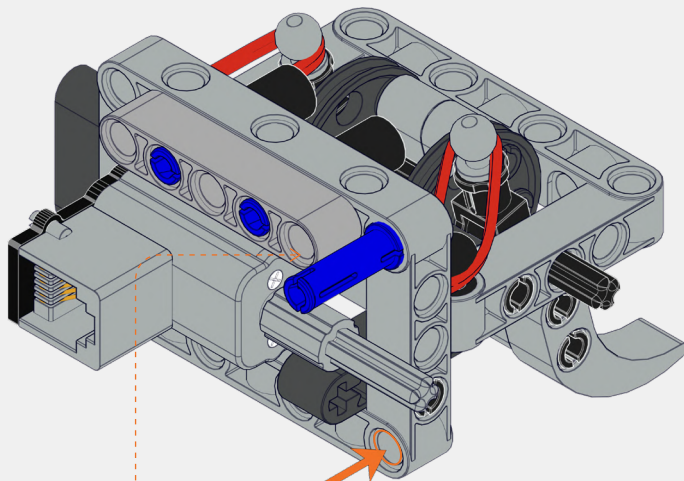
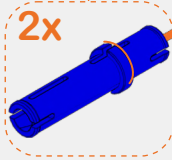
26



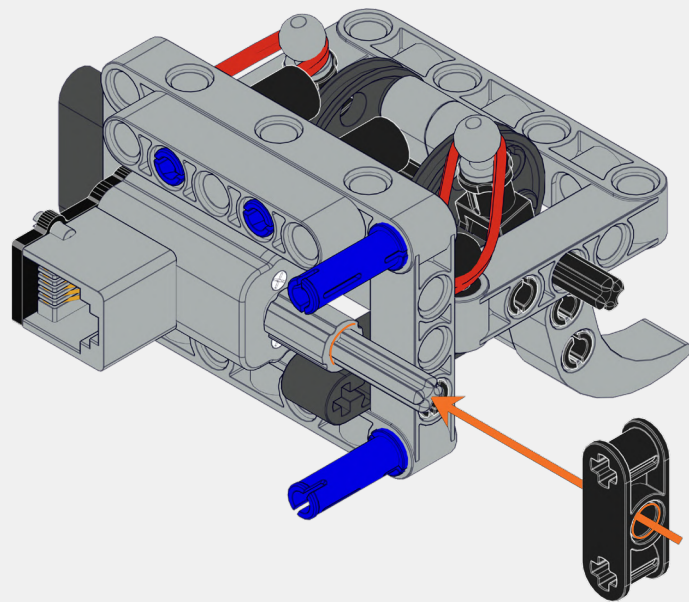
27



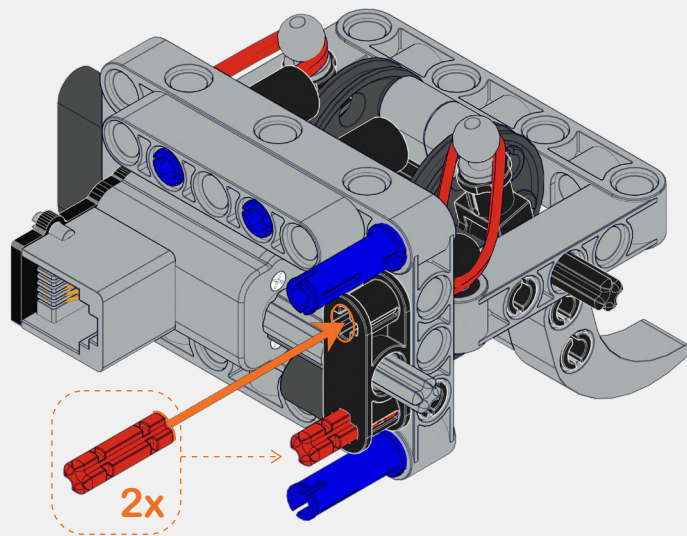
90°



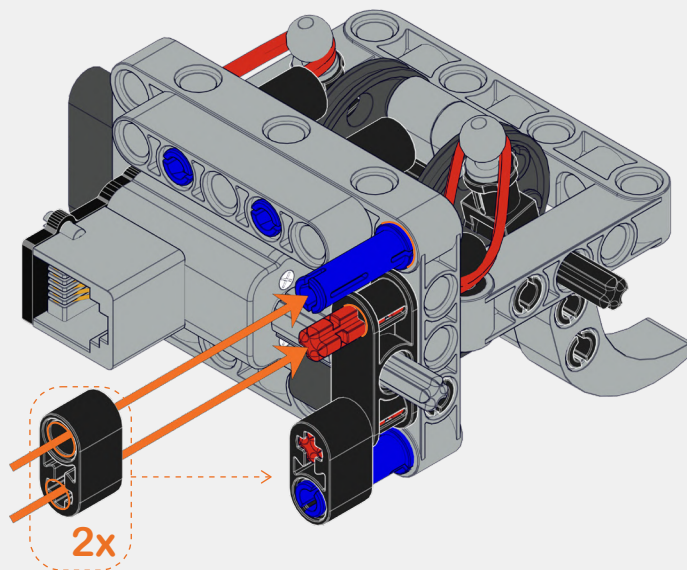
28



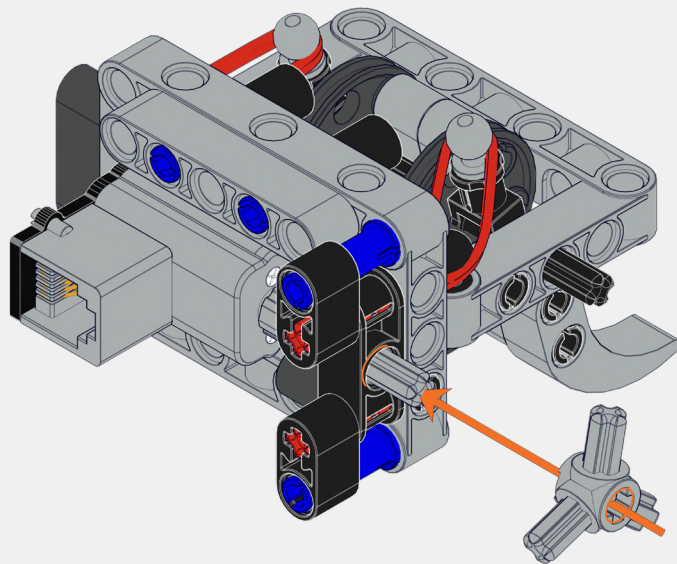
29

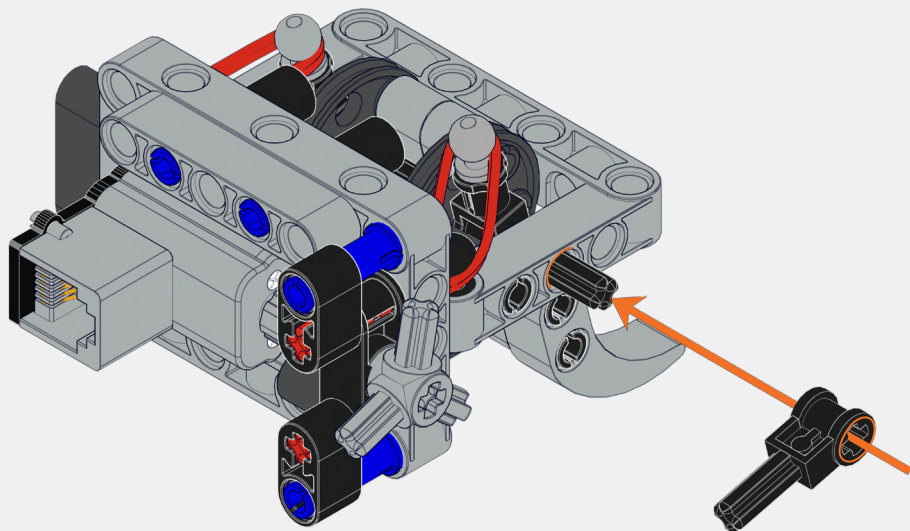
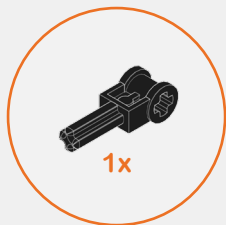


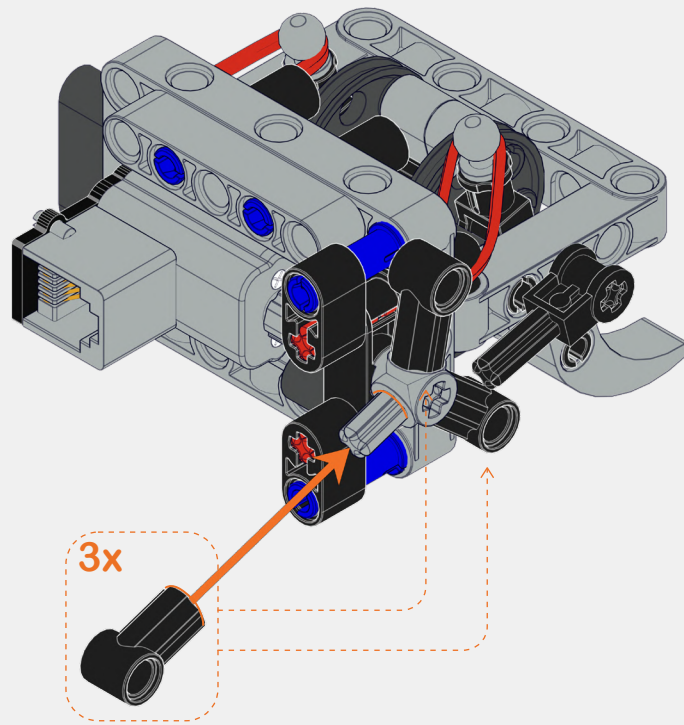
30



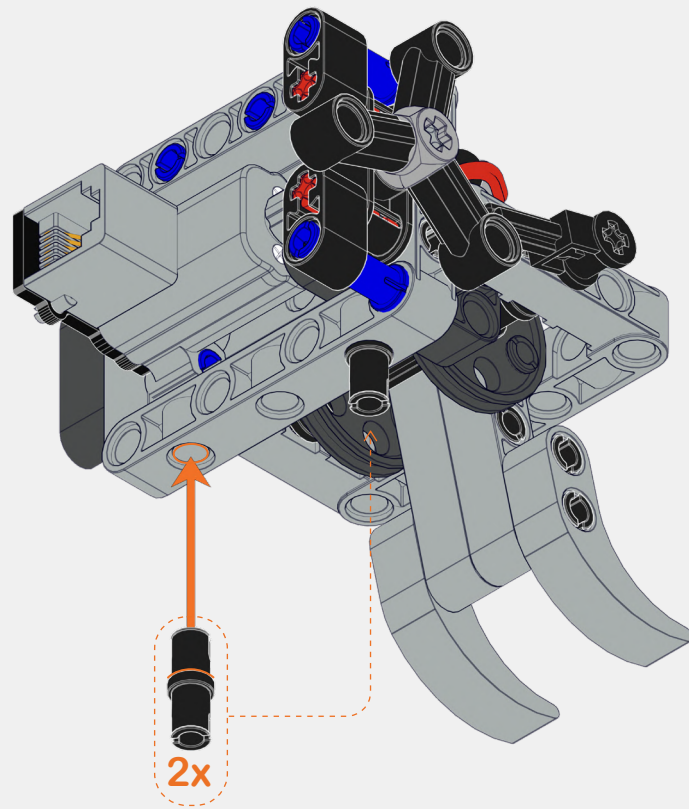
31







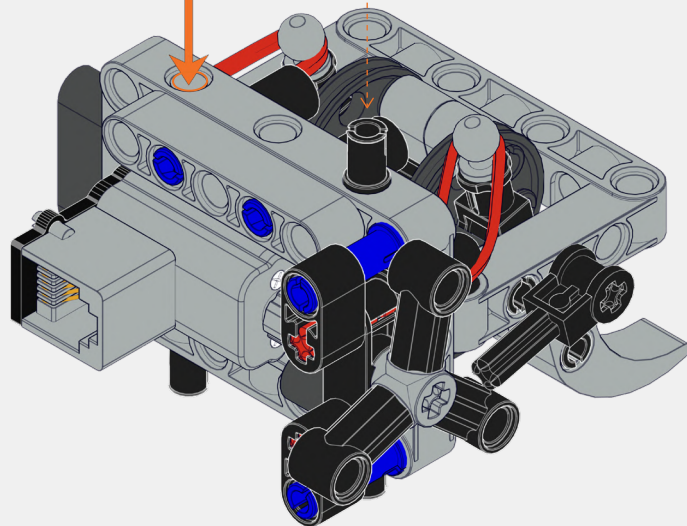
34



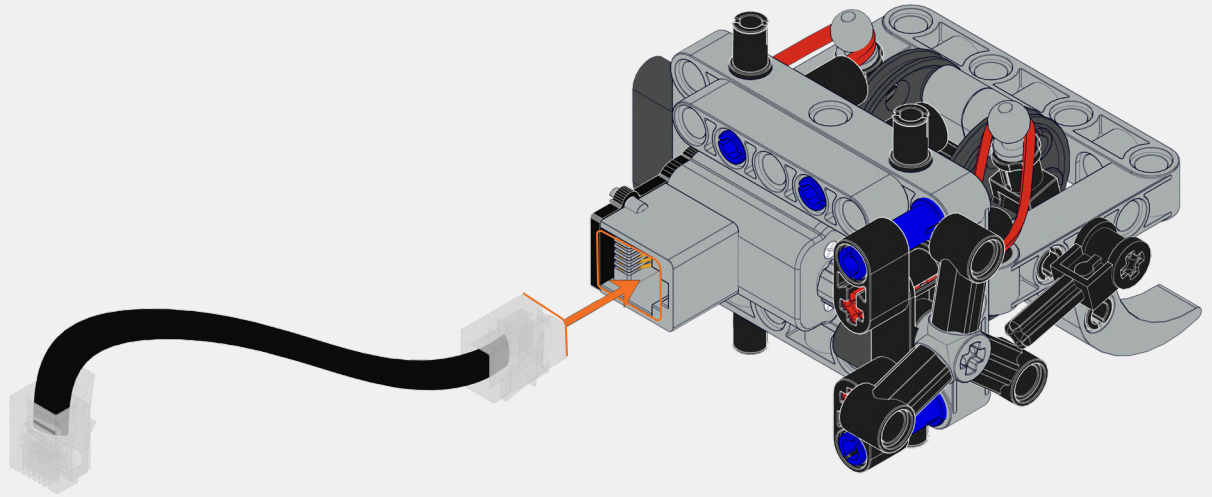
35



2x



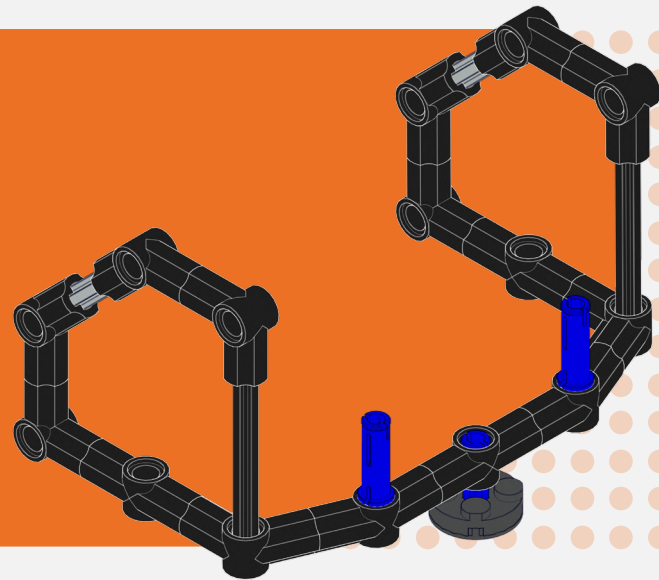
36

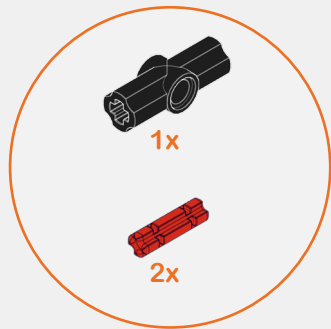


37

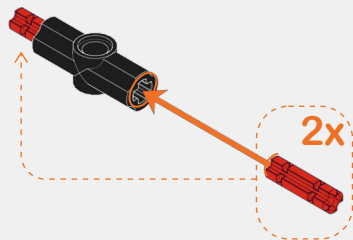
Chipper Robot
Assembly Instructions

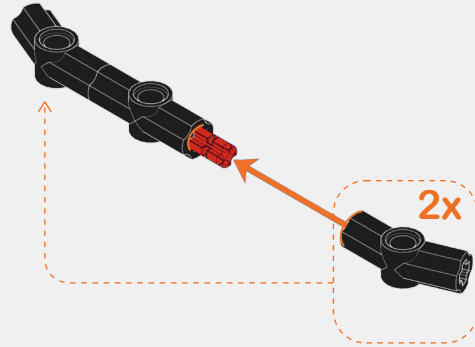
▽ Stage 3



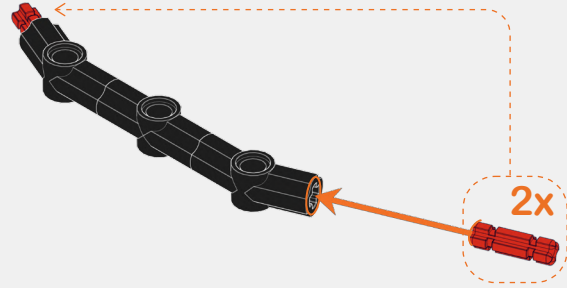


1

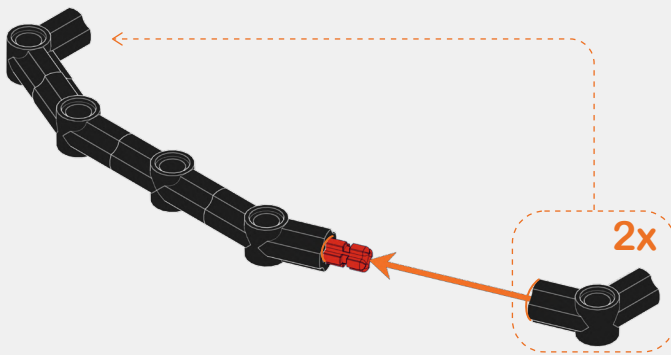




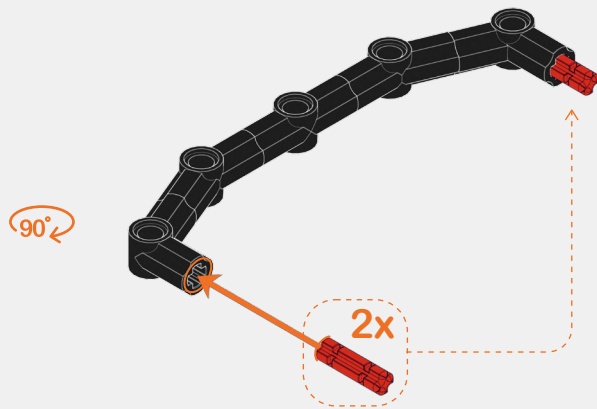
2



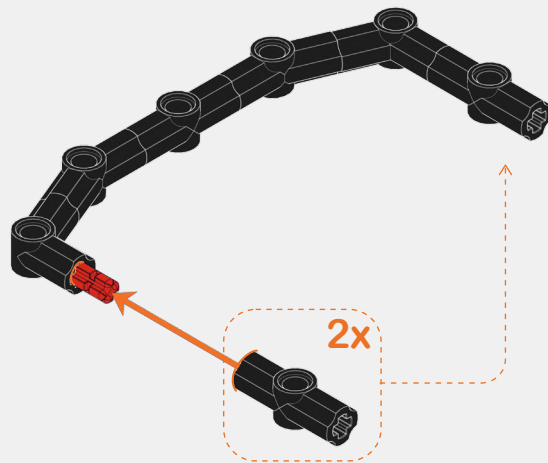
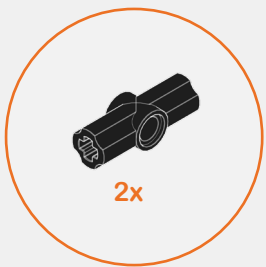
3



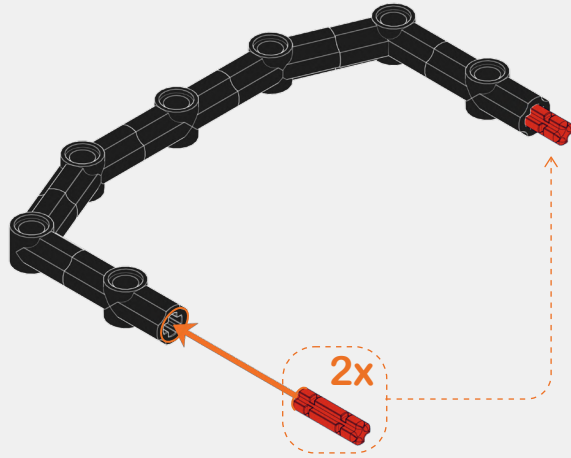
4



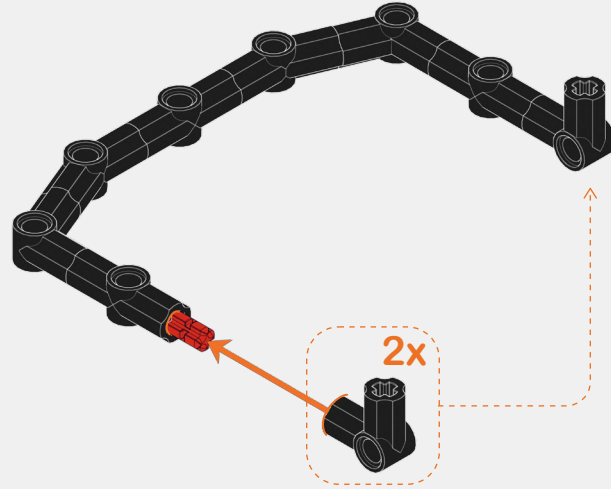
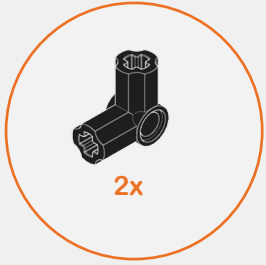
5



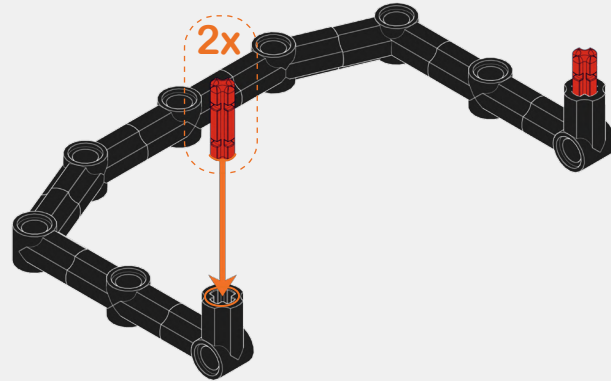
6



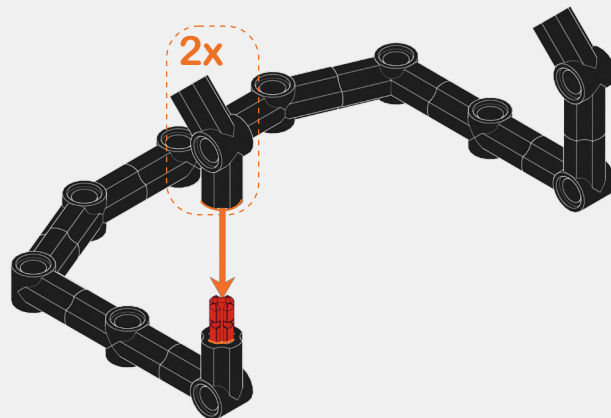
7



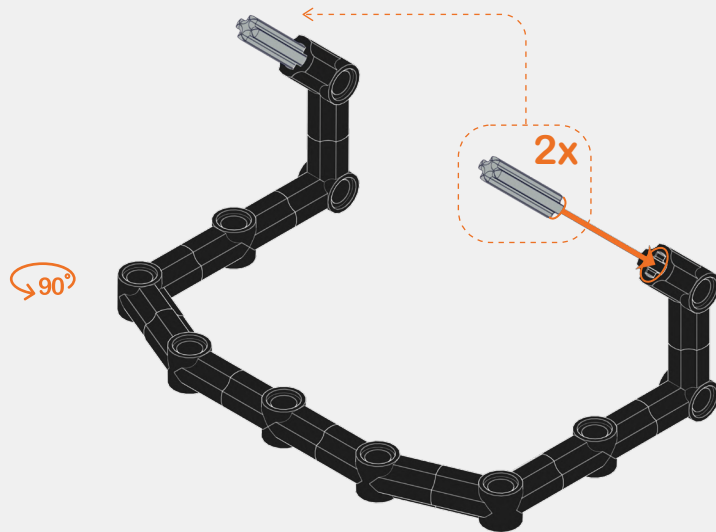
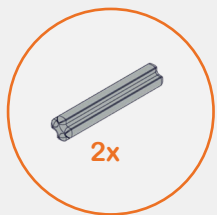
8



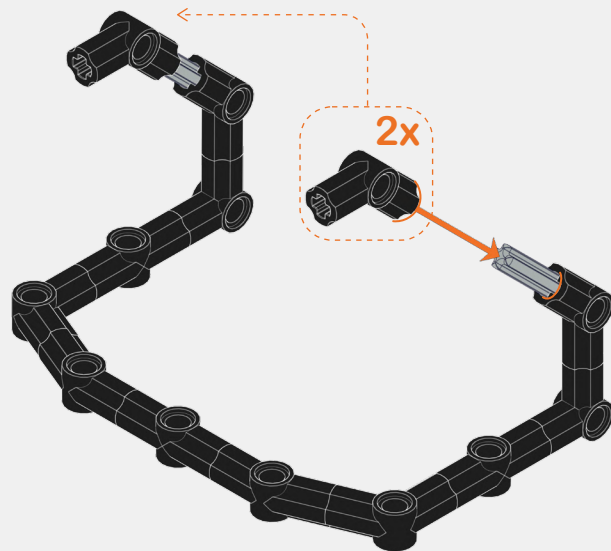
9



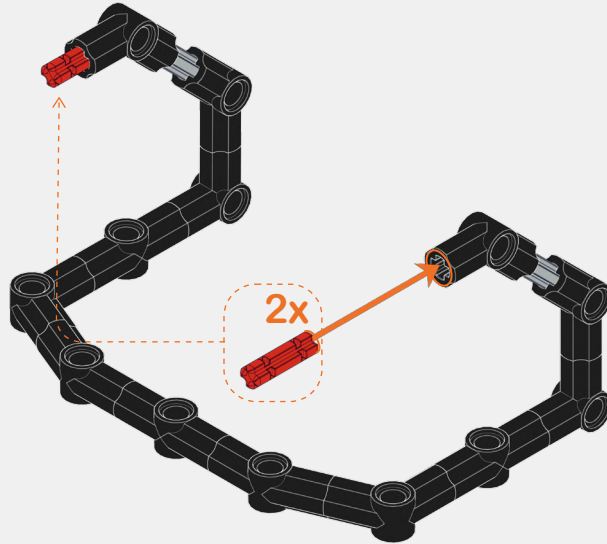
10



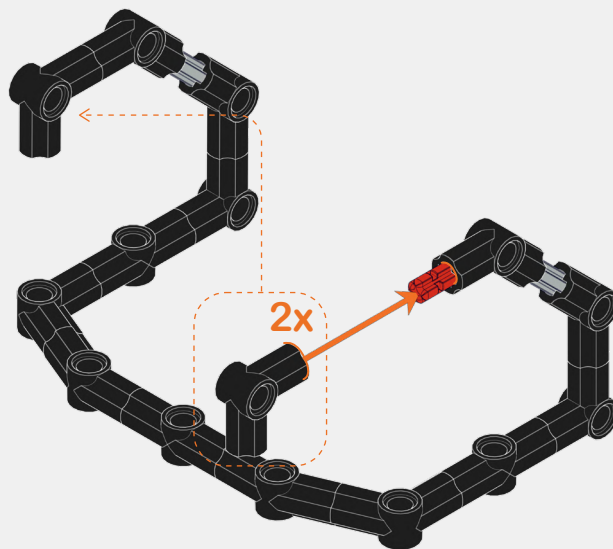
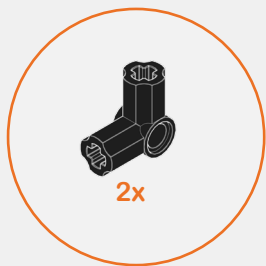
11



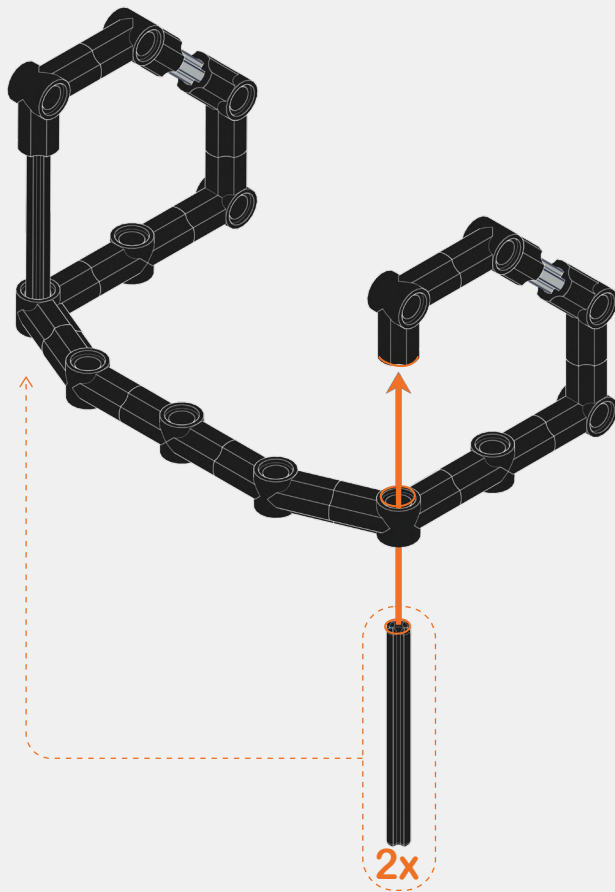
12



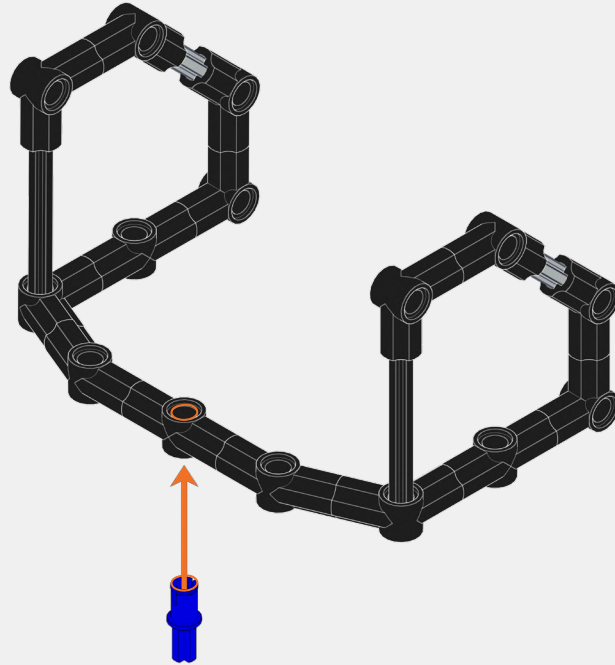
13



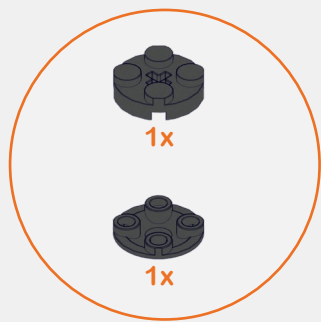
14



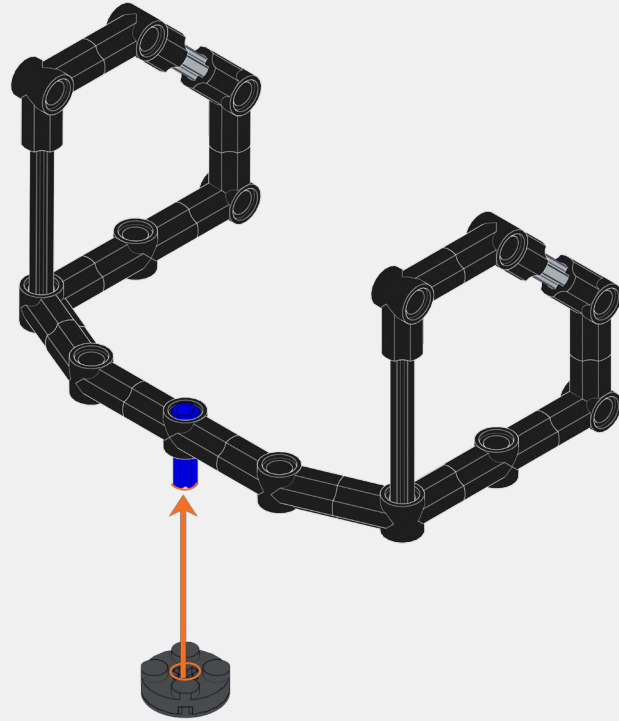
15



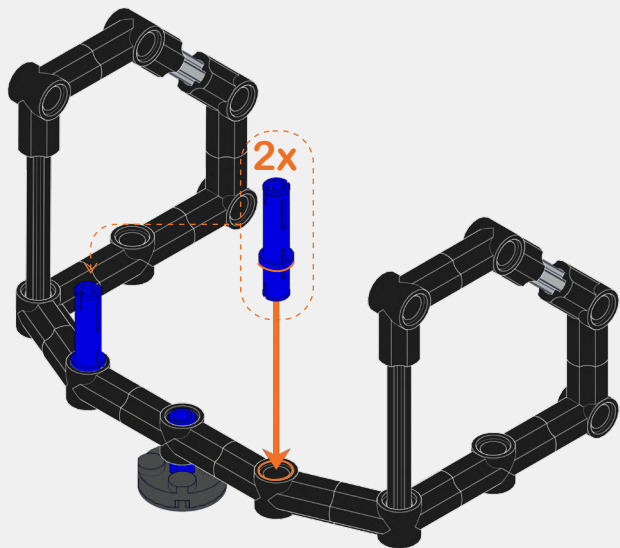
16



17



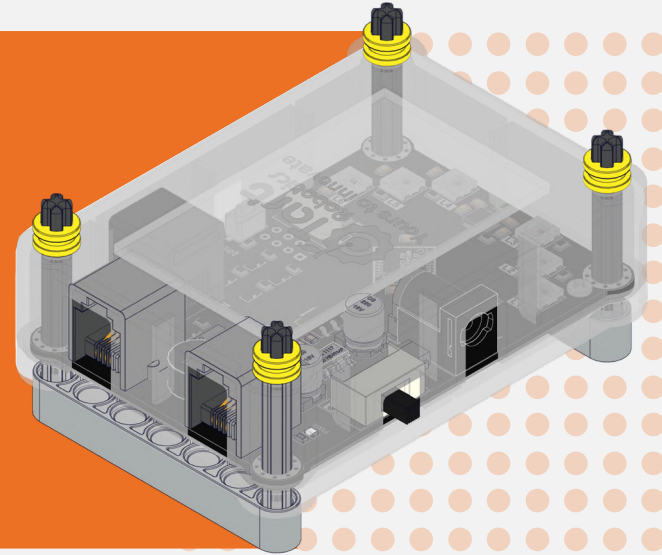
18



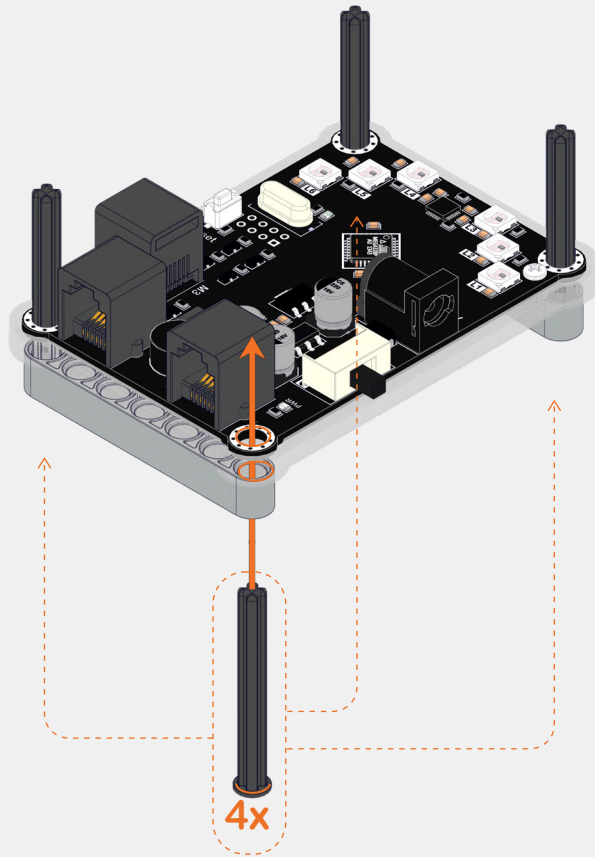
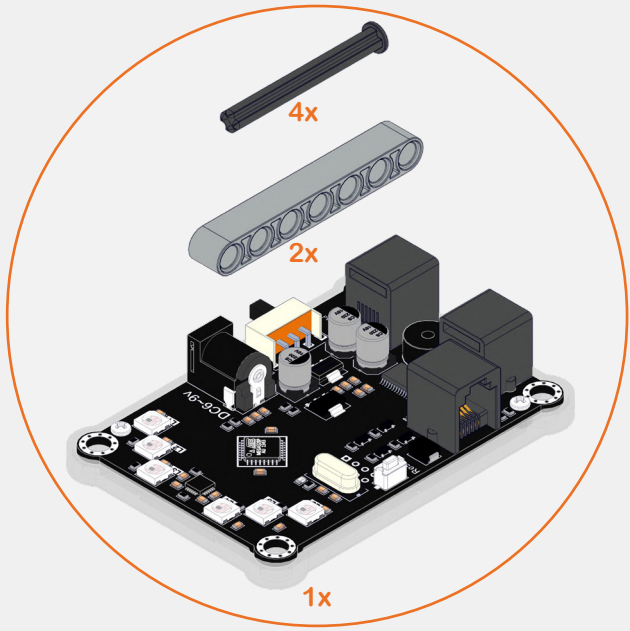
19

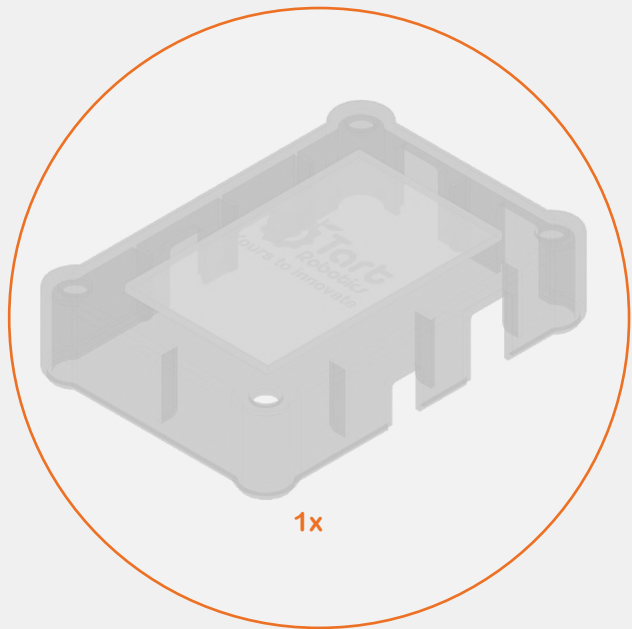
Chipper Robot
Assembly Instructions

▽ Stage 4

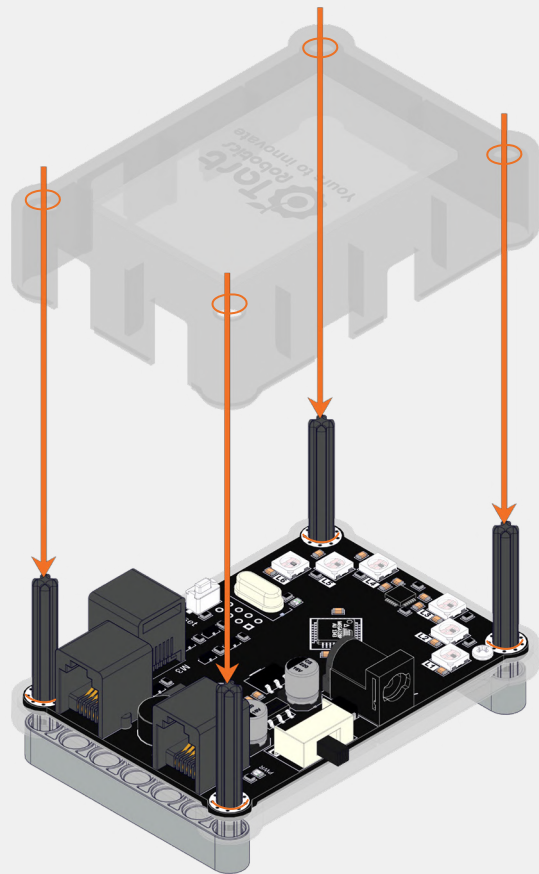


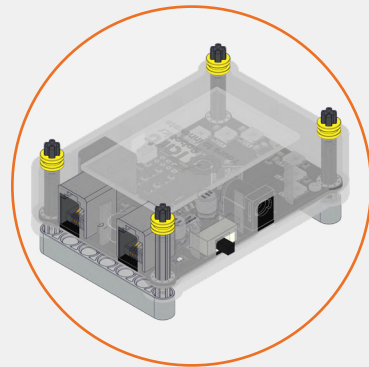
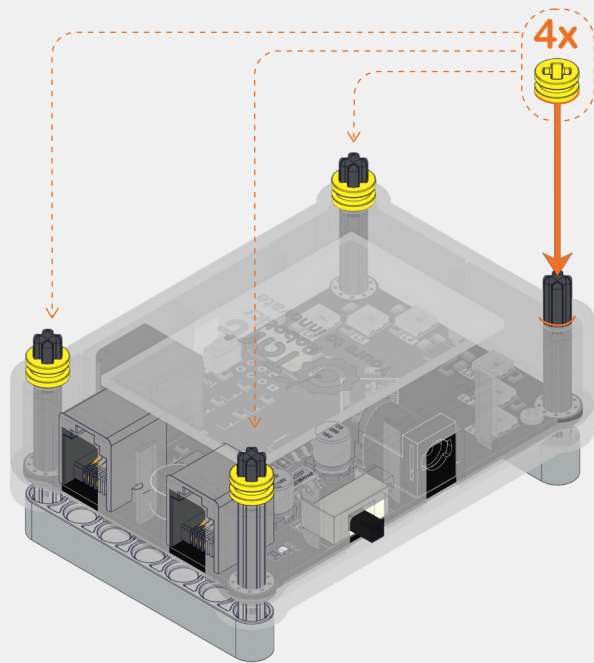
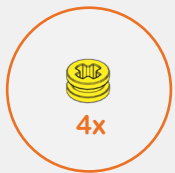
1





2

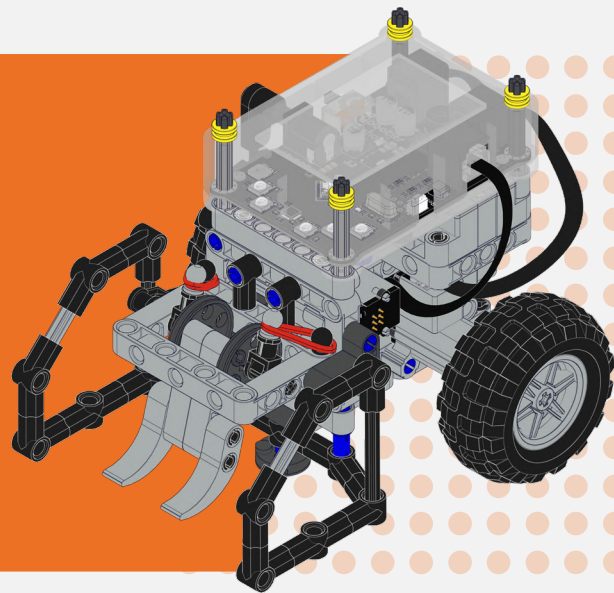




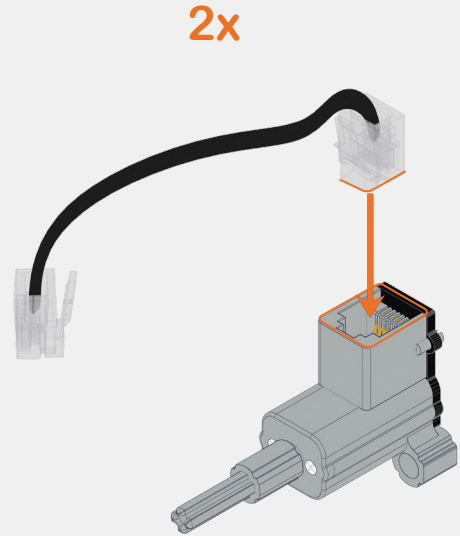
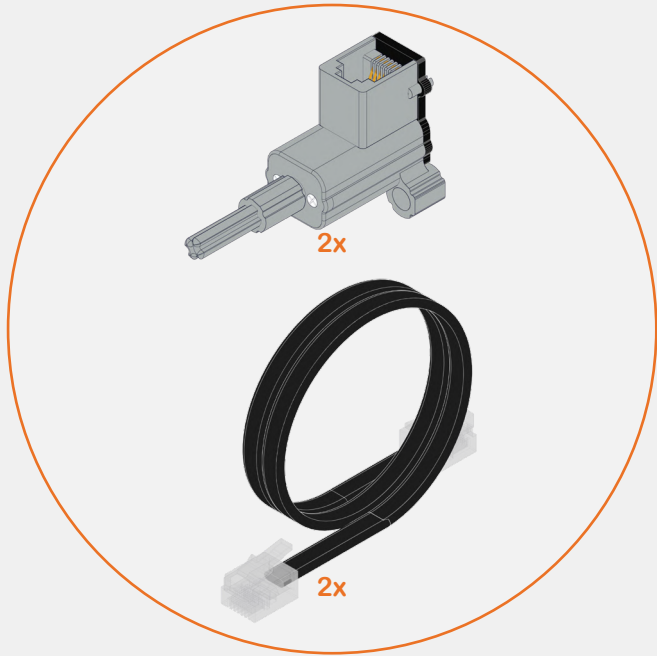
3

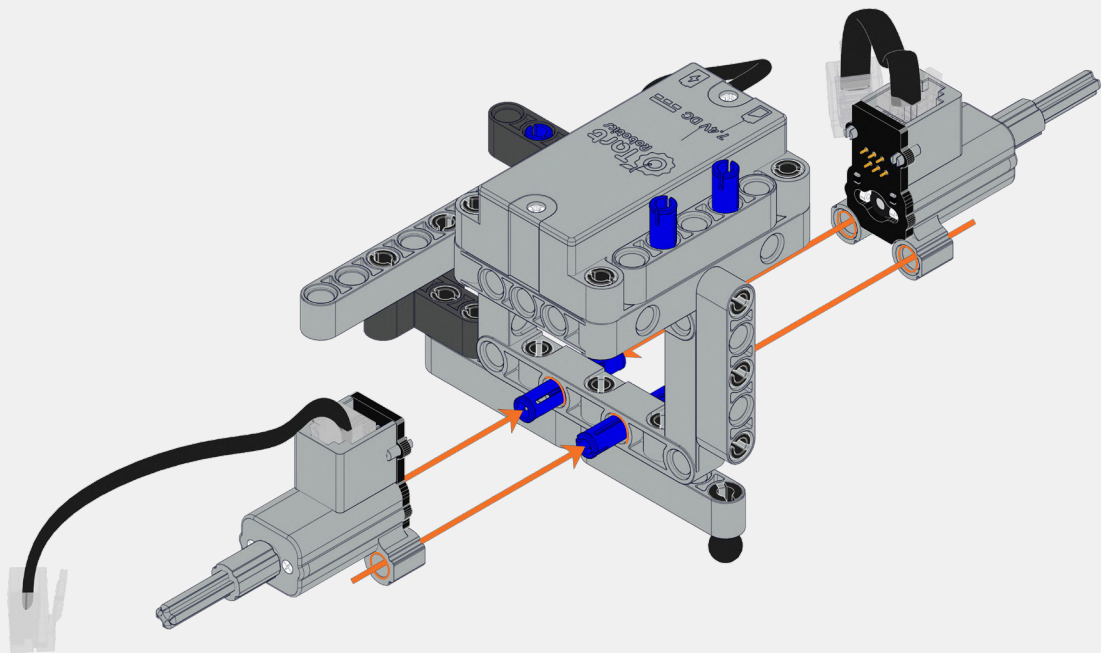
Chipper Robot
Assembly Instructions

▽ Stage 5

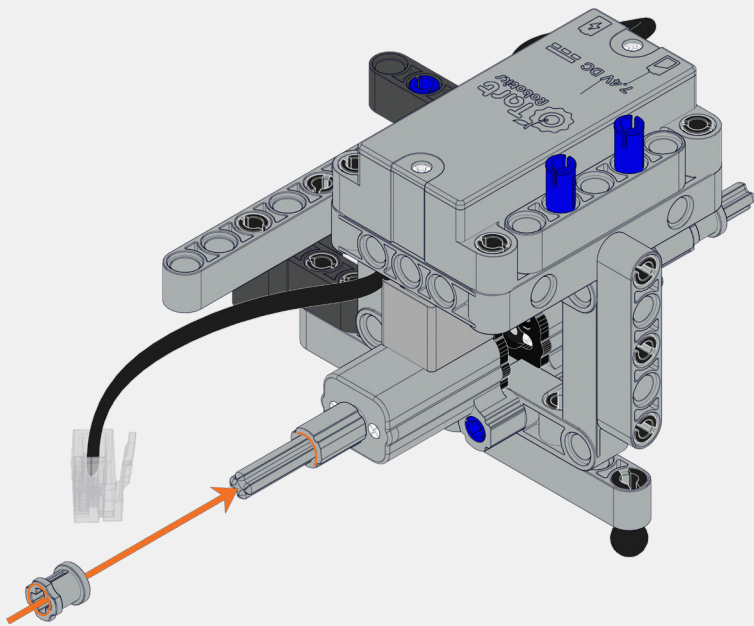


1

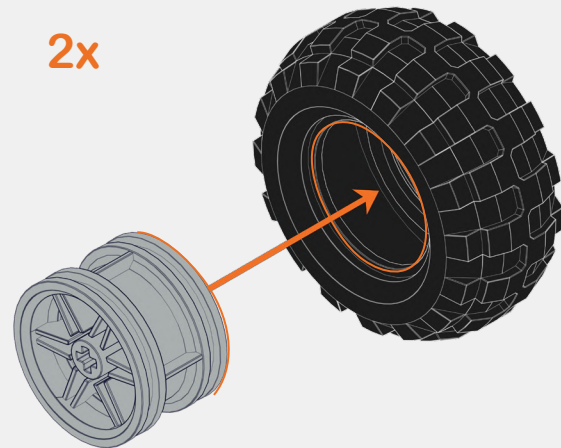




2

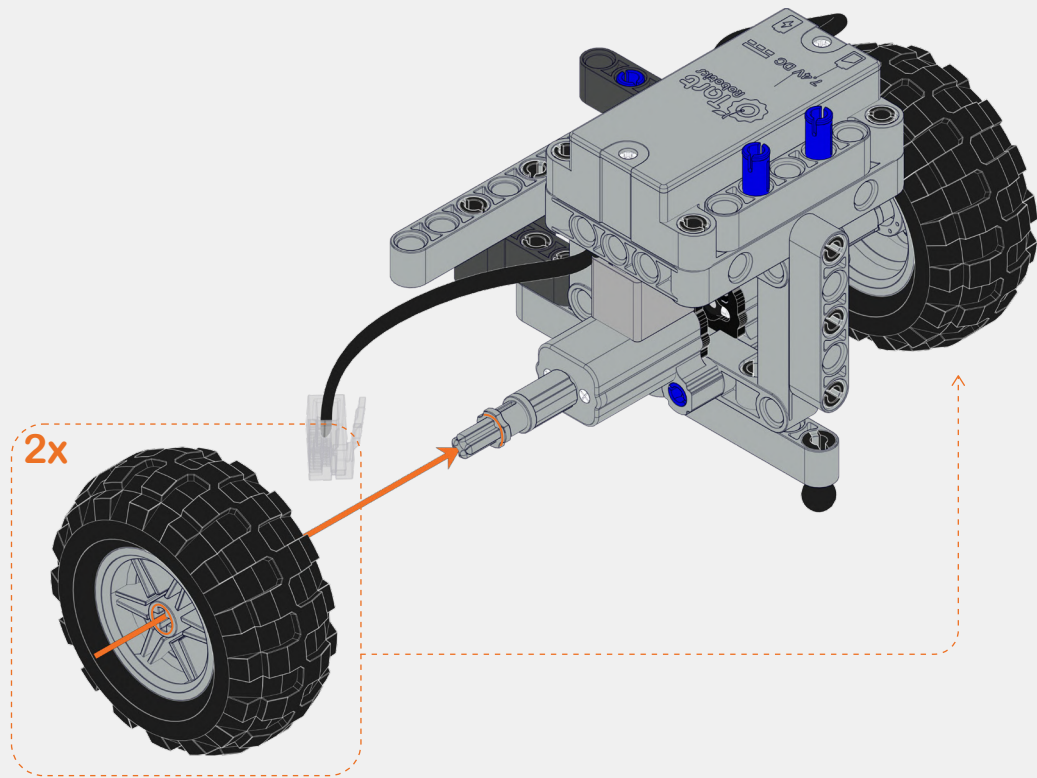


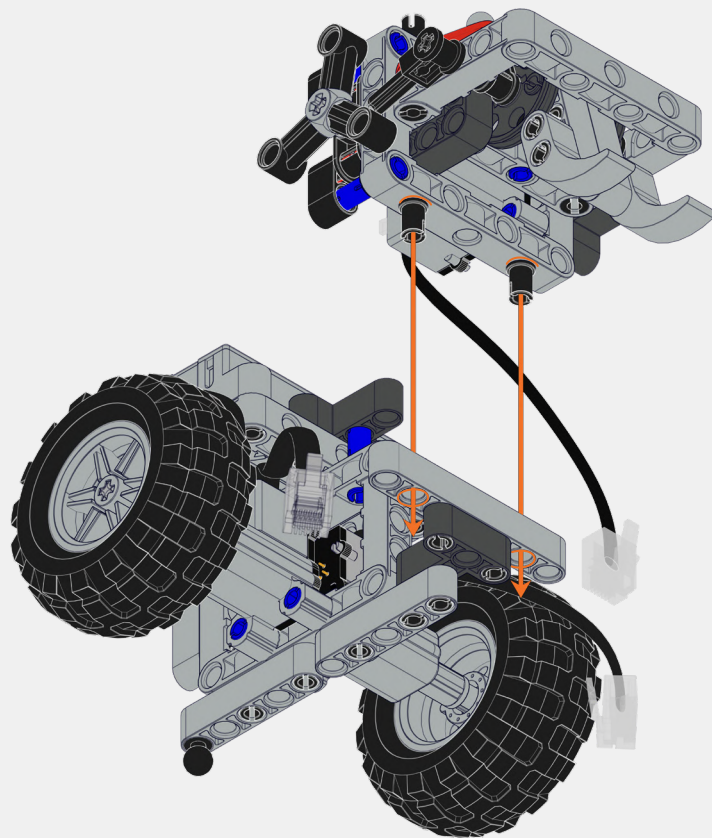
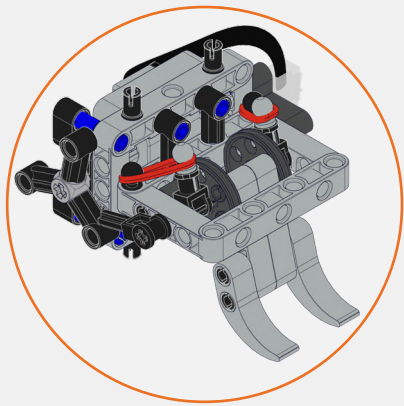
3



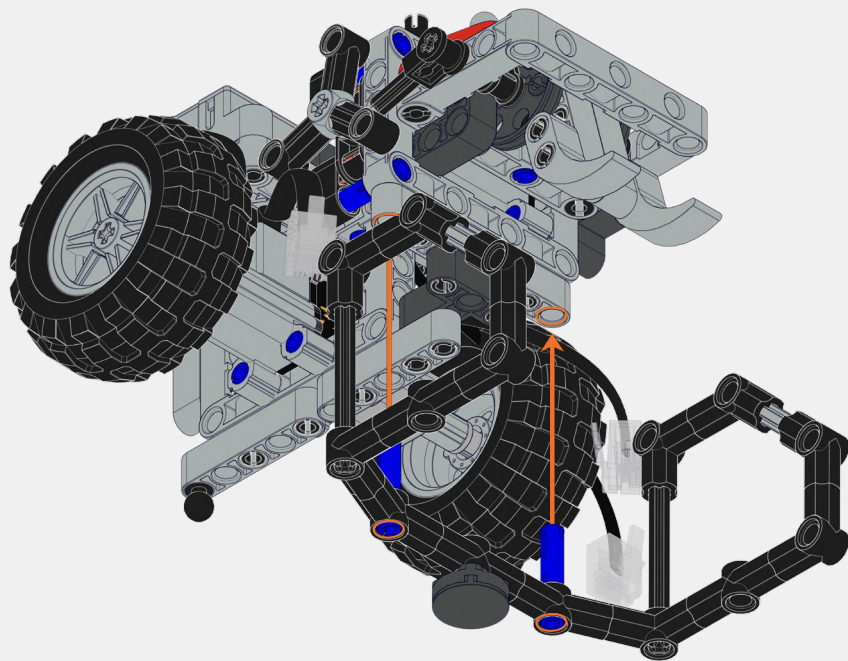
4

5

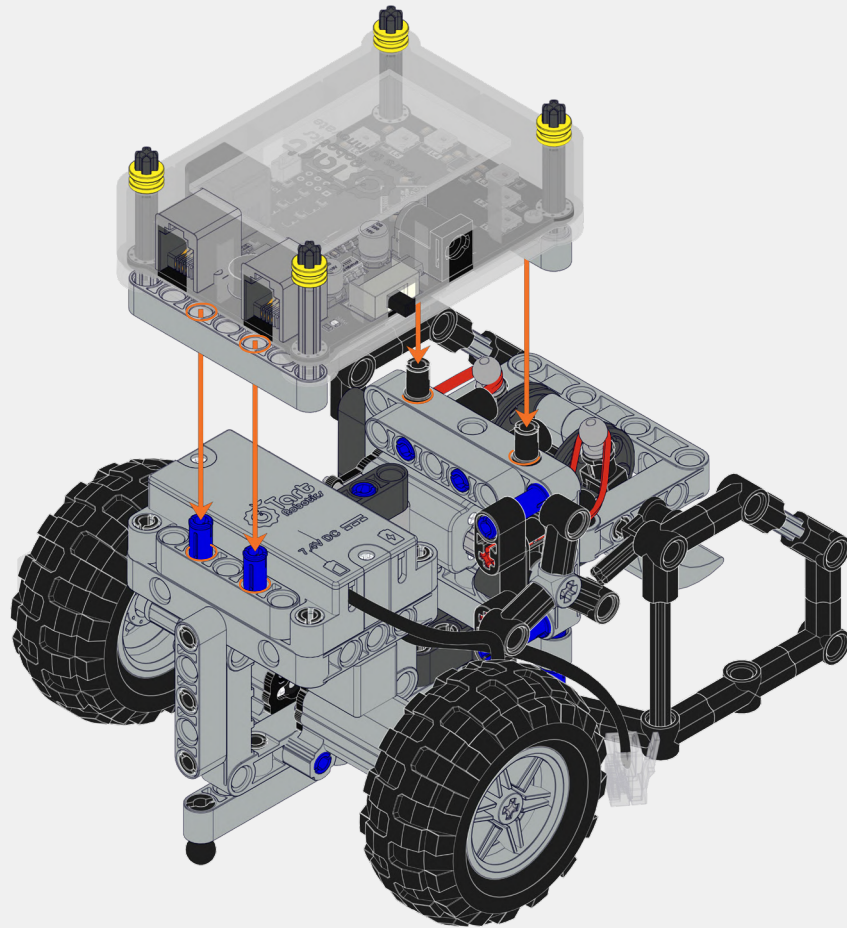
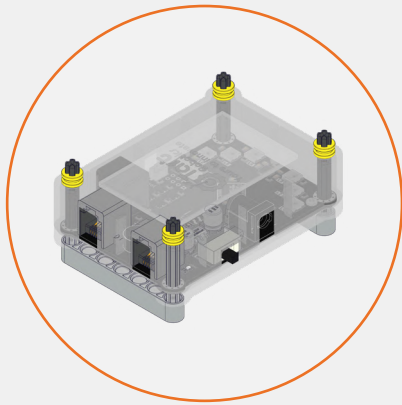




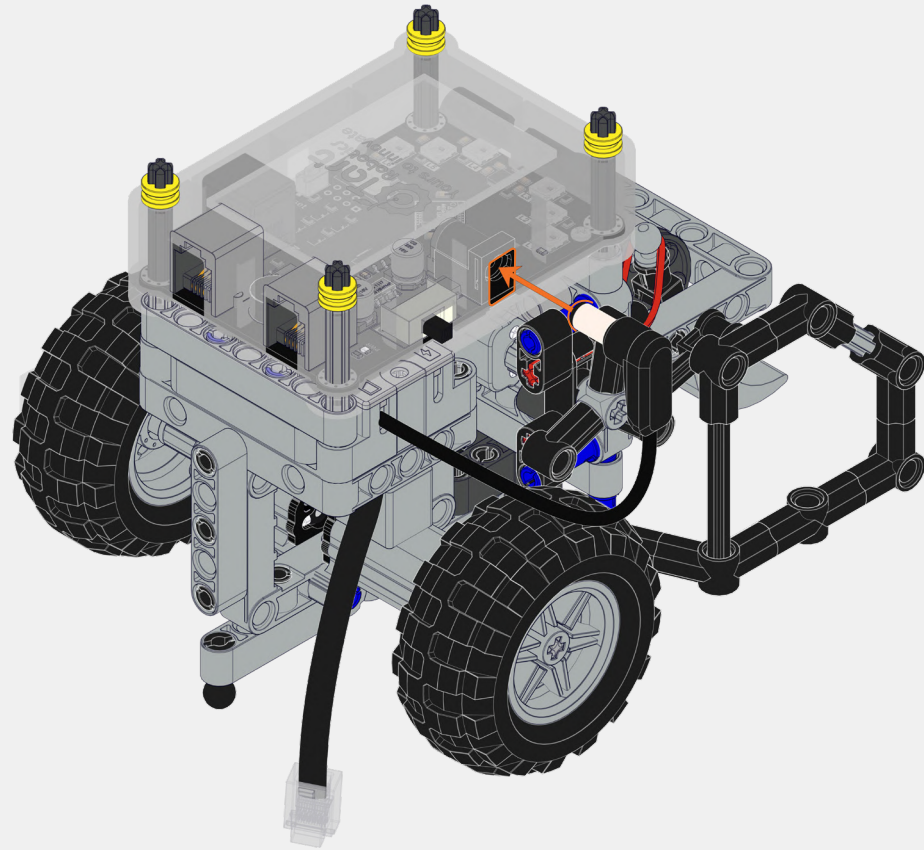
6



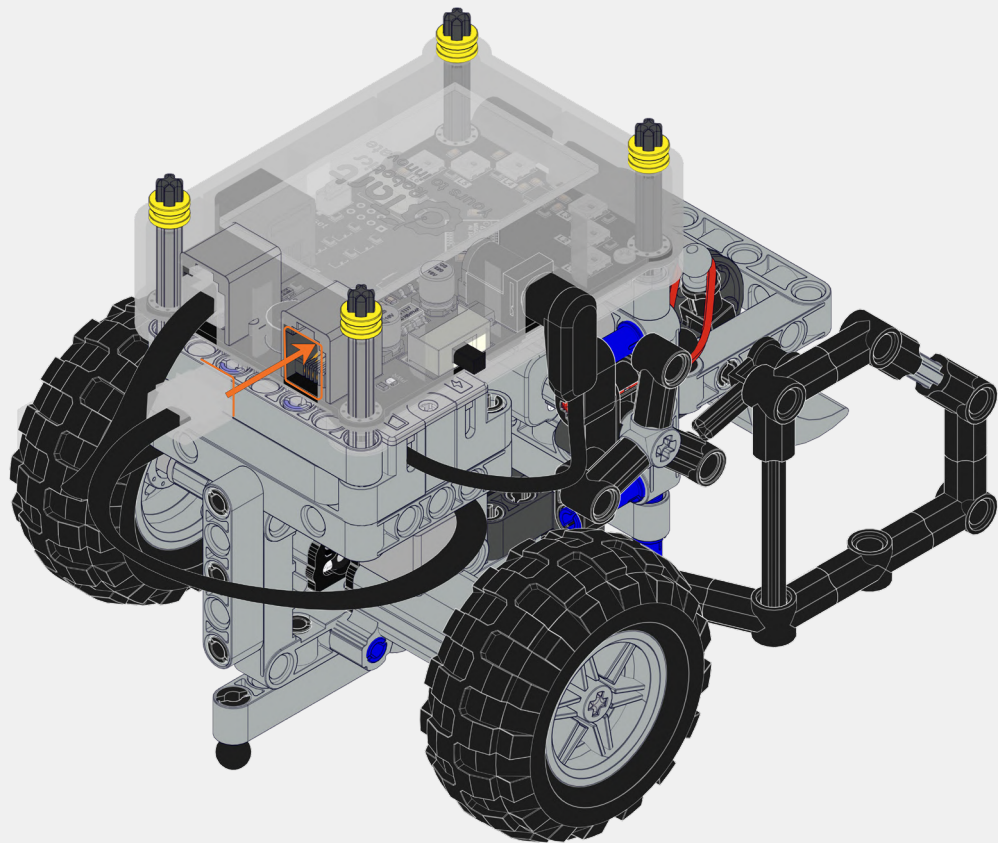
7



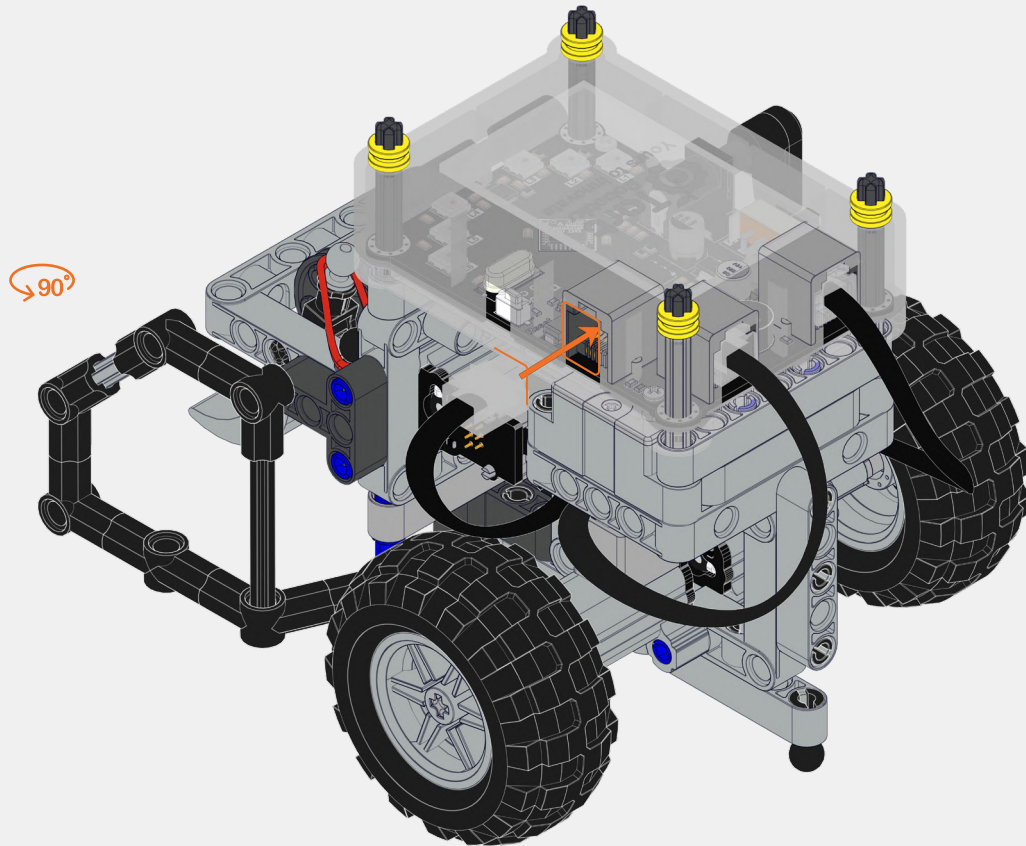
8



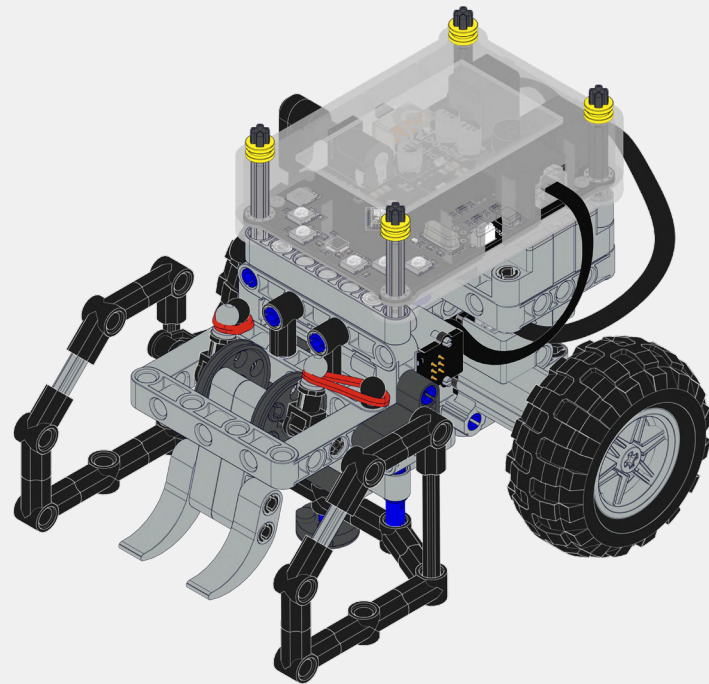
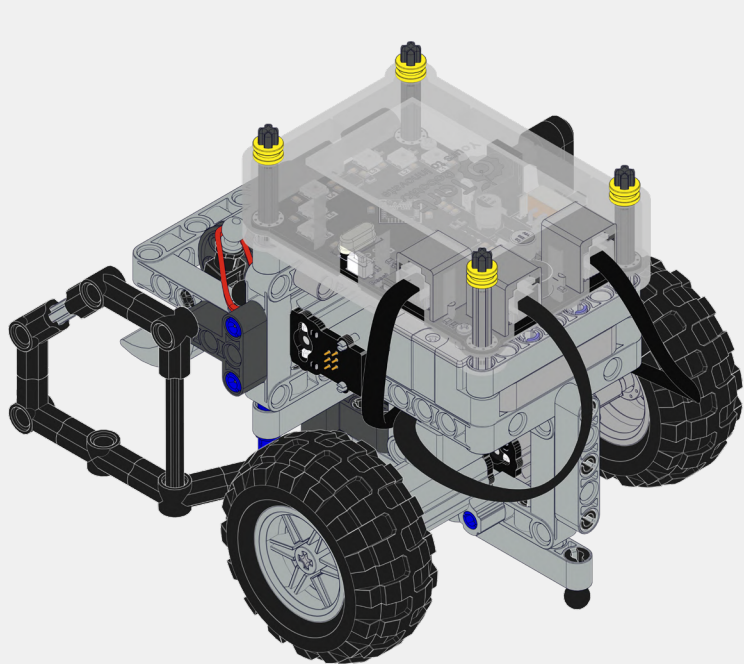
9



10



11



Chipper Robot Completed

