

CAREFULLY READ ALL INSTRUCTIONS BEFORE OPERATION
AND SAVE FOR FUTURE REFERENCE.

SLOW JUICER USER GUIDE

O R F E L D

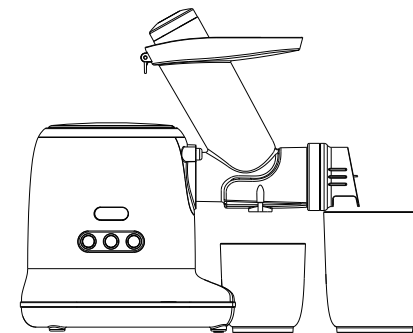
WELCOME!

SLOW JUICER
MODEL NO. : ZM1513

CONTENTS

Carefully **read all instructions** before operation and save for future reference.

Chapter 1: SAFETY INSTRUCTIONS	2
Chapter 2: FUNCTIONAL PARTS	4
Chapter 3: QUICK USER GUIDE	5-6
Chapter 4: MAINTENANCE	7
Chapter 5: PRODUCT SPECIFICATIONS	8



CHAPTER 1:

SAFETY

INSTRUCTIONS

CAREFULLY READ ALL INSTRUCTIONS
BEFORE OPERATION AND SAVE FOR
FUTURE REFERENCE.

SAVE THESE INSTRUCTIONS

Carefully **read all instructions** before operation and save for future reference.

- The input voltage of this juicer is 220V~240V (50Hz). Please confirm the voltage in your socket before usage .
- Before dis-assembly, assembly or adjustment of any parts, please unplug the cord.
- The device is equipped with a “Y connection”. Should the cord be damaged or torn, please contact our customer service for further assistance. Do not attempt to disassemble or repair without professional instructions.
- Please make sure the cord, plug, juice filter, spiral rod and all parts are not damaged before each use. For any damages, please contact our customer service for further assistance. Do not attempt to disassemble or repair the juicer yourself. Should repair or maintenance is required, please contact our customer service.
- Make sure the juicer, spiral rod, juicer top and all detachable parts are assembled as instructed before you plug in the juicer.
- Do not insert hands or sharp objects into the inlet when the juicer is turned on. Do not replace the spiral rod with any other object. Ensure a safe distance is observed between your eyes and the ingredient inlet to prevent injuries.
- Prepare ingredients in sizes smaller than the ingredient inlet.
- Hard ingredients in fruits and vegetables (such as peach pits, hard seeds, thick rinds and shells) have to be removed before juicing.
- Push to ingredients into the juicer gently. Do not exert excessive force.

- Discoloration of juice filter, juicer top, spiral rod and any other parts may result from certain types of fruits and vegetables. It would neither affect juice purity, nor harm your health.
- Equipped with an intelligent protective chip, the juicer would shut down automatically after 20 minutes. In the event, please take a break for 20-30 minutes and restart the juicer after the motor has cooled down. Restarting immediately would affect its service life.
- A mechanism has been designed for current limit. Hence, the motor would be locked and the current would rise when a very hard ingredient is juiced. When the current reaches 1.3A (or above), the motor would be alerted and shut down immediately, followed by 3-5 seconds of reverse motion, and other shut down. Obstruction (of ingredients) would be discharged when the motor is reversing. After the motor shuts down again, hit the "O" button on the control panel.
- In the event of activation of current limit, locking of motor or failure of auto reverse, please hit the "O" button to turn off the juicer, followed by the "ON" button to discharge the obstruction inside. Then, hit the "REV" button to reverse the juicer. If the motor is still locked, please remove any obstruction in the spiral rod first before turning on the appliance again. This action aims to protect the motor.
- After juicing, do not disassemble any parts with the cord plugged in. Make sure the motor and spiral rod has come to a complete stop before dis-assembly.
- Do not sterilize any parts in hot water (80°C/ 176°F and above) or microwave oven. It would lead to permanent deformation and damage. All surfaces/ sections in direct contact with ingredients should comply with food hygiene standards. Make sure they are clean and hygienic.
- Do not immerse the juicer body (with embedded motor and chip) in water or any other liquids to prevent damages.
- Store this appliance out of reach of children. This appliance is not intended for use by children and persons with any physical, sensory and mental disability. It is also not intended for use by persons lacking knowledge and experience unless they are under close supervision and guidance.

- Do not clean the appliance with steel wool, abrasive cleaning agents or corrosive liquids (such as gasoline and acetone).
- Please make sure the appliance is disconnected from the power supply during assembly, dis-assembly and cleaning. When children are left unattended, the appliance must be unplugged and stored out of reach.

WARNING

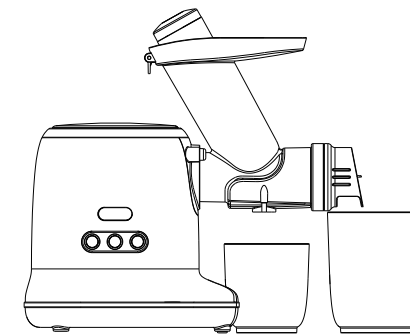
Potential danger would arise if these safety instructions are not adhered to closely.

This portable appliance is designed for domestic and indoor use only.

Apart from the accessories, there is an instruction manual included as well.

Do not replace or touch moving parts before the appliance is completely shut down and unplugged.

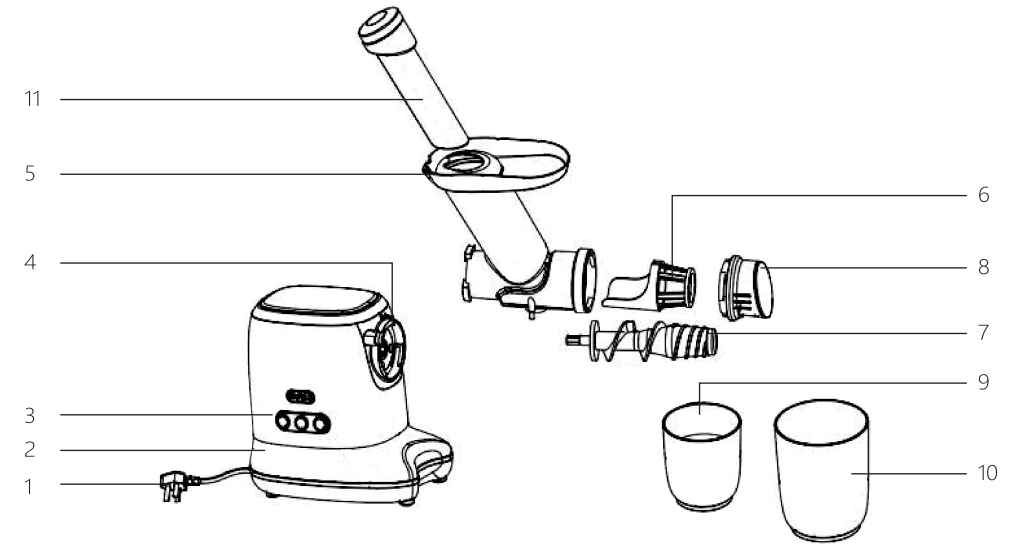
Do not clean surfaces or parts that are in contact with ingredients when the juicer is plugged in.



CHAPTER 2:

FUNCTIONAL PARTS

KNOW YOUR SLOW JUICER



#	PARTS	FUNCTIONS
1	Cord	Deliver power from power supply
2	Juicer body	Main body of juicer

#	PARTS	FUNCTIONS
3	Control Panel	Operating buttons ON, OFF (off/ pause), REV (reverse).
4	Buttons	For securing of juicer body to prevent detachment during operation.
5	Juicer	Main unit to juice ingredients. Feed ingredients through juicer inlet, for respective extraction via juice outlet and residue outlet
6	Filter	Ingredients are crushed by spiral rod, and filtered before pure juice is collected.
7	Spiral Rod	Main juicing tool to move, cut and smash ingredients.
8	Residue Outlet	Residue dispenser.
9	Juice Container	.Juice collection.
10	Residue Container	Residue collection.
11	Push Rod	For pushing ingredients queue,into contact with spiral rod, to enhance extraction rate.

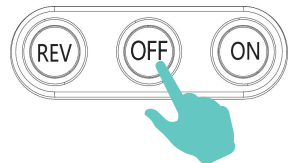
CHAPTER 3:

INSTRUCTIONS

TIPS ON HOW TO USE YOUR
SLOW JUICER CORRECTLY.

TIPS ON USING YOUR SLOW JUICER

Before using, **clean all parts in contact with food** thoroughly (refer to “Chapter 4: MAINTENANCE”).



QUICK START GUIDE

Control Panel

'ON': Turn on the motor

'OFF': Turn off / pause the motor

'REV': Reverse

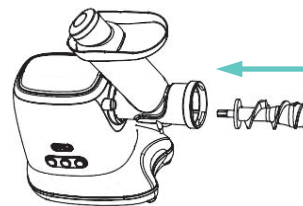
OPERATION GUIDE

Step 1: Connect the juicing body to the body.

There is a “▼” mark on the juicing unit. Adjust the juicing unit till “▼” points at “Unlocked” mark. Push gently and twist the juicing unit till “▼” points at “Locked” mark. Note that, there is a black button near the conjunction inlet.

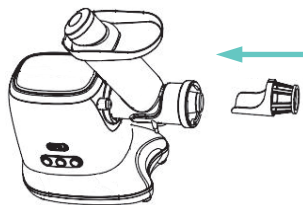
When the juicing unit is pushed into the main appliance, the button simultaneously sinks.

After proper assembly is completed, the button would rebound.



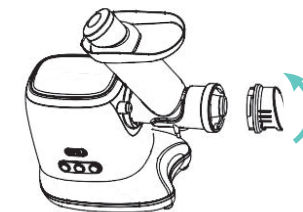
Step 2: Install the spiral rod

Push the spiral rod straight into the jack in center of the conjunction inlet. Gently adjust the spiral rod to meet the correct angle. (The spiral rod is now latched onto the main body).



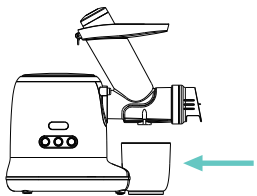
Step 3: Install the filter

Push the filter into the conjunction inlet, Make sure the longer half passes along the bottom of the inlet. The filter will remove all residue to enhance juice purity.

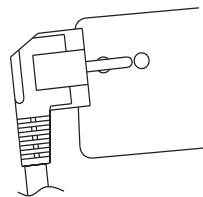


Step 4: Install the residue outlet

Push and twist to install the residue outlet into appliance. Note that the residue outlet should face downwards.



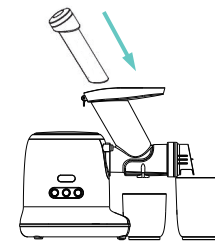
Step 5
Position the juice container directly below the juice outlet.



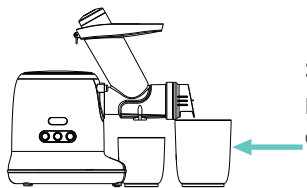
Step 7
Plug in the appliance.
Make sure the SLOW JUICER is at the 'OFF' position.



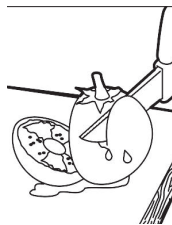
Step 9
Hit the "ON" button to start the juicer. Don't run the appliance for more than 10 minutes.



Step 10
Feed prepared ingredients into the juicer inlet. Gently push them with the push rod.



Step 6
Position the residue container directly below the residue outlet



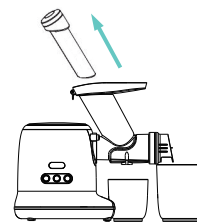
Step 8
Prepare ingredients in small pieces (ease of entry into the juicer inlet).

CHAPTER 4: MAINTENANCE

TIPS ON HOW TO CLEAN YOUR SLOW JUICER.
FOLLOW THESE STEPS
FOR EASE OF MAINTENANCE.

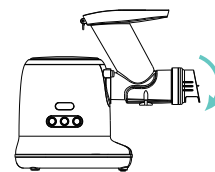
HOW TO CLEAN YOUR SLOW JUICER

- Hit the "OFF" button to cut the power supply before cleaning.
- Clean immediately after each use.
- Do not flush/rinse the appliance under running water or with any other liquids. Use a damp towel to get rid of dirt. If the dirt is stubborn, use a warm towel.



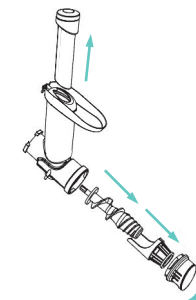
Step 1

Extract the push rod.



Step 2

Twist to disassemble
the residue outlet.



Step 3

Remove the filter and,
the spiral rod. To disassemble
the juicer ("Z" part), please hold
the black button in the appliance
and simultaneously twist the
juicer till the "▼" mark meet
the "Unlocked" mark.

CHAPTER 5: PRODUCT SPECIFICATIONS

#	SPECIFICATIONS	PARAMETERS
1	Rated Voltage	120V/220-240V
2	Rated Power	150W
3	Rated Frequency	50/60Hz
4	Maximum Usage Duration	≤20mins
5	Interval Between Usage	≥10mins



Made in China