

Qingdao Hauswirt Electric Co.,LTD.

Website: www.hauswirt.com

E-mail: support@hauswirt.com

Addr: NO.336 Yinhe Road,Xiazhuang Street,
ChengYang District,Qingdao,China

**eLECTRIC
OVEN**

— C40 —

The Product Instruction

Version Number: 20201228

Inspire your Kitchen with Hauswirt

Thank you for choosing Hauswirt and start to INSPIRE YOUR KITCHEN with our premium kitchen appliances.

“Hauswirt” was created to stand for Home and Value in the year 2009. We put our brand core into people’s home and providing it with more joy and comfort is the value we pursuit.

If you need any assistance, please contact us with the model number at support@hauswirt.com.

Find helpful how-to video, please visit our YouTube channel.



youtube.com/hauswirt_kitchen

Contents

SPECIFICATIONS	1
IMPORTANT SAFEGUARDS	1
APPLIANCE AND ACCESSORIES CHART	3
HOW TO USE	4
CLEANING AND MAINTENANCE	7
TROUBLESHOOT INFORMATION	8

Please read the instructions in details before using this appliance and keep it for retain use.

■ SPECIFICATIONS:

Description	C40
Operating Voltage	110-130V~ 60Hz
Power	1440W
Dimension (W×D×H)	530×410×370 mm
Cavity size (W×D×H)	377×335×316 mm
Cavity capacity	40L

■ 1. IMPORTANT SAFEGUARDS

When using electrical appliances, basic safety precautions should always be followed including the following:

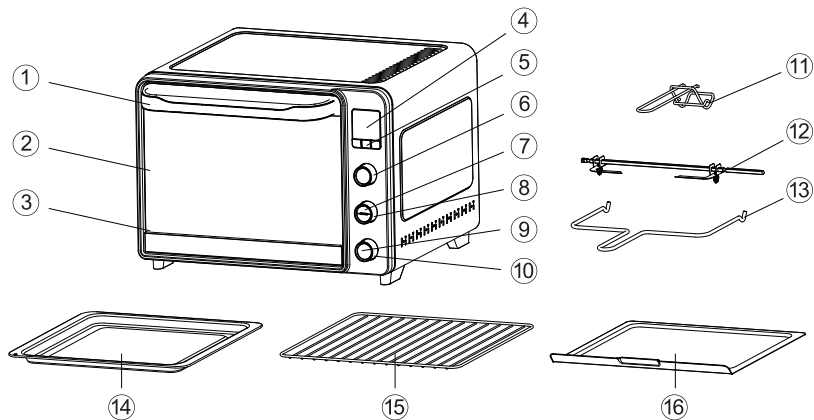
1. Read all instructions.
2. Do not touch hot surfaces. Use handles or knobs.
3. To protect against electrical shock do not immerse cord, plugs, or appliance in water or other liquid.
4. Close supervision is necessary when any appliance is used by or near children.
5. Unplug from outlet when not in use and before cleaning. Allow to cool before putting on or taking off parts.
6. Do not operate any appliance with a damaged cord or plug or after the appliance malfunctions or has been damaged in any manner. Return appliance to the nearest authorized service facility for examination, repair, or adjustment.
7. The use of accessory attachments not recommended by the appliance manufacturer may cause injuries.
8. Do not use outdoors.
9. Do not let cord hang over edge of table or counter, or touch hot surfaces.

10. Do not place on or near a hot gas or electric burner, or in a heated oven.
11. Extreme caution must be used when moving an appliance containing hot oil or other hot liquids.
12. Always attach plug to appliance first, then plug cord into the wall outlet. To disconnect, turn any control to " off " , then remove plug from wall outlet.
13. Do not use appliance for other than intended use.
14. Oversize foods, metal foil packages, or utensils must not be inserted in a toaster as they may involve a risk of fire or electric shock.
15. A fire may occur if the toaster-oven is covered or touching flammable material, including curtains, draperies, walls, and the like, when in operation. Do not store any item on top of the appliance when in operation.
16. Do not clean with metal scouring pads. Pieces can break off the pad and touch electrical parts involving a risk of electric shock. Extreme caution should be exercised when using containers constructed of other than metal or glass.
17. Do not store any materials, other than manufacturers recommended accessories, in this oven when not in use.
18. Do not place any of the following materials in the oven: (List all materials – that is, paper, cardboard, plastic, and the like).
19. Do not cover crumb tray or any part of the oven with metal foil. This will cause over heating of the oven.
20. Other than unplug thr cord, you can turn the knob to “off” for turning off the unit.
21. Note of extension cord:
 - a) A short power-supply cord (or detachable power-supply cord) should be used to reduce the risk resulting from becoming entangled in or tripping over a longer cord.
 - b) Longer detachable power-supply cords or extension cords are available and may be used if care is exercised in their use.
 - c) If a longer detachable power-supply cord or extension cord is used:
 - ① The marked electrical rating of the cord set or extension cord should be at least as great as the electrical rating of the appliance;
 - ② The cord should be arranged so that it will not drape over the

countertop or tabletop where it can be pulled on by children or tripped over unintentionally;

③ If the appliance is of the grounded type, the cord set or extension cord should be a grounding-type 3-wire cord.

■ I 2. APPLIANCE AND ACCESSORIES CHART



- | | | |
|---------------------------|----------------------------|---------------------|
| ① Door Handle | ⑦ Heater Control Button | ⑬ Rotisserie Handle |
| ② Glass Door | ⑧ Temperature Control Knob | ⑭ Food Tray |
| ③ Lower Door Frame | ⑨ ON/Pause Button | ⑮ Wire Rack |
| ④ LED screen | ⑩ Time Control Knob | ⑯ Crumb Tray |
| ⑤ Function Control Button | ⑪ Tray Handle | |
| ⑥ Function Select Knob | ⑫ Rotisserie | |

■ I 3. HOW TO USE

Before using your electric oven for the first time, be sure to:

1. Read all of the instruction included in this manual.
2. Make sure that the oven is unplugged.
3. Wash all the accessories in hot, soapy water.
4. Thoroughly dry all accessories and re-assemble in oven, plug oven into outlet and you are ready to use your new toaster oven.
5. After re-assembling your oven, we recommend that you run it at the highest temperature (450°F) for approximately 15 minutes to eliminate any packing residue that may remain after shipping. This will also remove all traces of odor initially present.

Please Note: Initial start-up operation may result in minimal smell and smoke (about 15 minutes). This is normal and harmless. It is due to burning of the protective substance applied to the heating elements in the factory.

Using your electric oven :

Please familiarize yourself with the following oven functions and accessories prior to first use:

1. Modes(Function Select): There' re 8 working modes (see table below), turn the Function select knob to choose the desired mode.
2. Temperature Control:Independent upper and lower temperature control,-press the button "UPPER" / "DOWN" and turn the Temperature control knob to set the upper/lower temperature.
3. Time Control: Turn the Time control knob to set the cooking time.
4. Start/Suspend(Cancel/Off) Button:After setting the cooking mode,-press" Start/Suspend(Cancel/Off)" button to start the oven,if need to stop,press again.
5. Convection function:Finger touch the button "☪" below the LED screen,to turn on /turn off the convection.When using fruit dry function,the convection is turned on by default.
6. Inside lamp:The inside lamp is turned on by default after power on.Finger tough the button "💡", to turn on/turn off the lamp.
7. Rotisserie function:Finger touch the button "☺" to select the rotisserie function.

Mode	Default Time	Default Temp. (F)	Temp range (F)	Time range
Bake	0: 30	350	150 ~ 450	1min ~ 2h
Pizza	0: 15	400	325 ~ 450	1min ~ 2h
Toast	0: 45	375	275 ~ 400	1min ~ 2h
Cake	0: 50	300	250 ~ 375	1min ~ 2h
Steak	0: 10	425	300 ~ 450	1min ~ 2h
Cookies	0: 14	350	250 ~ 400	1min ~ 2h
Defrost	0: 60	140	120 ~ 200	1min ~ 2h
Dryfruit	6: 00	150	90 ~ 190	30min ~ 15h

Food tray:

- a) All the cooking must use food tray. Food cannot be put directly on oil collector.
- b) When using the food tray, it must be placed in the shelf position.
- c) Take it out when thermal insulation gloves after use. To avoid scalding, do not touch it with your hands.
- d) To avoid damaging the oven door, do not drag on the oven doors when handing.
- e) The maximum weight that can be place on the metal tray is 3.5 kg. (Includes total weight of food and dish).
- f) For easier cleaning, suggested to use aluminum foil to wrap the food tray before placing food on the tray.

Wire rack:

- a) It must be placed in the shelf position. Wire rack cannot be used individually. Always put with food tray. Place the food tray in below shelf position under wire rack. It can help to keep the base dry and drip water or fat into the food tray.
- b) Always use thermal insulation gloves after cooking. Do not touch directly to avoid scalding.

- c) The maximum weight that can be placed on the wire rack is 3.5 kg (This includes total weight of food and dish).
- d) To avoid damaging the oven door, do not drag on the oven doors when handing.
- e) When the food tray is placed in the oven for cooking, do not touch the water outlet in the cavity.
- f) Please use aluminum foil to wrap the wire rack before placing food without container.
- g) For easier cleaning, suggested to use aluminum foil to wrap the wire rack before placing food on the tray.

Caution:

Always use extreme care when removing bake tray, wire rack or any hot container from a hot oven. Always use the rack handle, or an oven mitt when removing hot items from the oven.

How to bake:

- a) Place the removable rack into the desired position.
- b) Insert the bake tray and close the oven door.
- c) Turn the timer knob to the desired cooking time.
- d) Turn the function selector knob to desired cooking mode.
- e) Select the temperature.
- f) When finished baking, Bell will ring to signal the end of the bake cycle.
- g) You may also long press the button "Start/Stop" to switch off the oven.

How to use rotisserie:

- a) Insert the first thumbscrew onto the rotisserie shaft by pointing inward. Secure the first rotisserie fork with thumbscrew provided.
- b) Place the rotisserie shaft across the center of the food that you are going to prepare. Make sure the food is at the center before inserting the second fork onto the rotisserie shaft. Secure the second fork with the thumbscrew.
- c) Insert the end-point of the rotisserie shaft into the drive socket and rest the other end (square in shape) on the shaft support.
- d) You may insert the bake tray to a lower guide to catch the dripped oil.

- e) Turn function control knob to “roast chicken”.
- f) Select cooking temperature.
- g) Turn the time control knob to your desired cooking time.
- h) The cycle is completed when the timer countdown to zero.
- i) To remove the food, please lift up the rotisserie shaft by using the rotisserie handle.
- j) Make sure that both hooks are evenly place at the edge of the rotisserie shaft .Please lift up the end which rest on the support first and slowly remove the rotisserie shaft out of the drive socket.
- k) Place the food on a cutting board or plate and remove the rotisserie shaft by taking off the rotisserie forks.
- l) If you need convection function at the same time, please finger touch the button “ conv” ,which activate both convection and rotisserie functions.

■ I 4. CLEANING AND MAINTENANCE

1. Under normal circumstances, cleaning is the only maintenance required.
2. Cleaning and maintenance should only be carried out when the appliance is cool down to room temperature. Disconnect the power plug from the main power supply before cleaning. Do not use any steam cleaner to clean this appliance.
3. To avoid corrosion which would shorten the useful life of the appliance, always keep it clean. Always clean the appliance after use.
4. To avoid damage to the appliance body, control panel, oven walls and accessories, do not use any cleaning cloth that contains metal, scrubbing cleaners, steel brush or cloth with a rough surface for cleaning.
Use a sponge or cloth soaked in gentle detergent or kitchen towel paper to clean the appliance. Dry up the appliance completely with dry cloth to prevent moldy. Always make sure the cavity (including the bottom and oil collector) is completely dried after use.
5. Salt is a corrosive substance that would result in rust stains if left to build up inside the oven. Acidic sauces, such as ketchup, mustard and

preserves, contain chemicals like chlorine and acids which would damage the stainless steel surface.

6. Do not allow grease and food debris to remain on the oven door and door seal. If the door seal is not kept clean, the oven door may fail to close when the appliance is in operation. This would cause damage to the front and sides of the appliance.
7. After each use:
Use a sponge or cloth soaked in gentle detergent or kitchen towel paper to clean the oil collector and drip tray. Dry up completely with dry cloth to prevent moldy.
8. Disconnect the main power if the appliance will not be used for a long period. Keep the oven clean and put the appliance in a dry place away from corrosive gases.
9. After every use, clean and dry the oven thoroughly.

■ I 5. TROUBLESHOOT INFORMATION

1. If the display show” E1” or “E2” ,it means there is something wrong with the PCB, and you need to send it back to the shop for maintain service.
2. If the display show” E3” , it means the oven is overhot,and you need to take off the plug and wait it cool down. Then turn on the oven again.