



Steel Sections Galvanised & Self colour

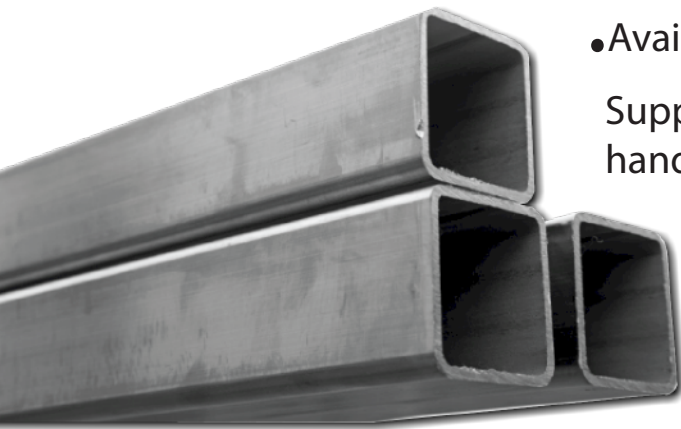
Solid Round Bar

Flat Bar

Square Section

Rectangular Section

Tube



• Available from stock.

Supplied in easily
handled lengths.

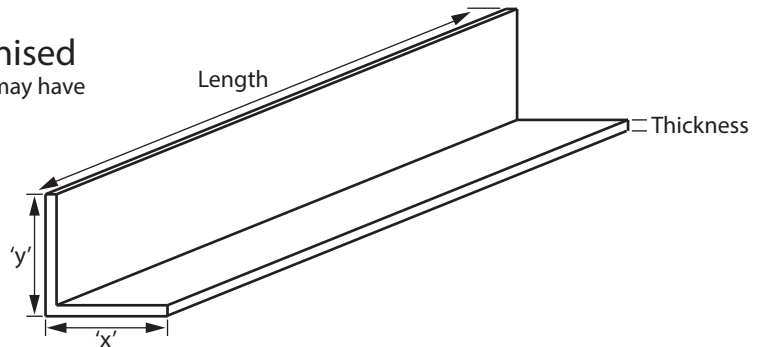


Revision #	Revision Date
# 0	18/01/2023



Angle iron Self Colour & Galvanised

Note- Some self colour items may have a light oil coating.

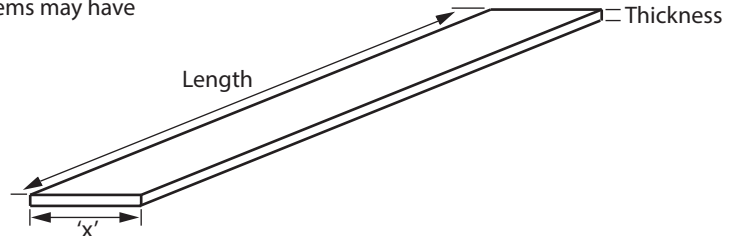


<i>Product code Galvanised</i>	Product code Self Colour	Dimension 'x' (mm)	Dimension 'y' (mm)	Thickness (mm)	Length (m)	Weight (Kg) 3mtr / 6mtr
<i>GAI25253-3</i>	Ai25253-3	25	25	3	3 & 6mtr Nominal	5.31 / 10.62
<i>GAI40403-3</i>	Ai40403-3	40	40	3	3 & 6mtr Nominal	8.91 / 17.82
<i>GAI50503-3</i>	Ai50503-3	50	50	3	3 & 6mtr Nominal	7.0 / 14.00
<i>GAI75756-3</i>	Ai75756-3	75	75	6	3 & 6mtr Nominal	16.95 / 33.90
<i>GAI1001008-3</i>	Ai1001008-3	100	100	8	3 & 6mtr Nominal	36.60 / 73.20



Flat bar Self Colour & Galvanised

Note- Some self colour items may have a light oil coating.

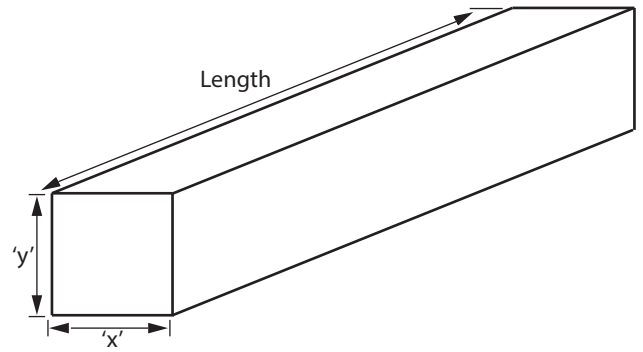


<i>Product code Galvanised</i>	Product code Self Colour	Dimension 'x' (mm)	Thickness (mm)	Length (mtr)	Weight (Kg) 3mtr / 6mtr
<i>GFB508-3</i>	FB508-3	50	8	3 & 6mtr Nominal	9.45 / 18.90
<i>GFB6510-3</i>	FB6510-3	65	10	3 & 6mtr Nominal	15.30 / 30.60
<i>GFB1008-3</i>	FB1008-3	100	8	3 & 6mtr Nominal	14.13 / 28.26
<i>GFB15010-3</i>	FB15010-3	150	10	3 & 6mtr Nominal	35.40 / 70.80



Square bar -Solid Self Colour & Galvanised

Note- Some self colour items may have a light oil coating.



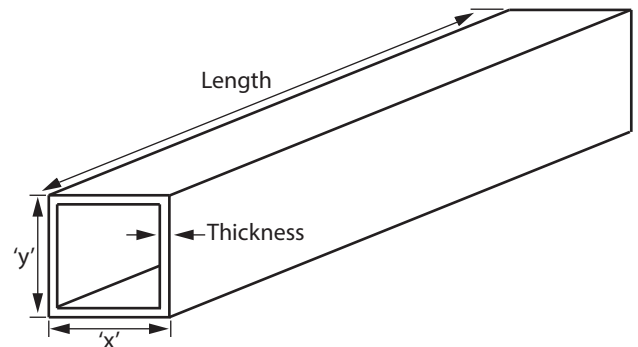
Product code Galvanised	Product code Self Colour	Dimension 'x' (mm)	Dimension 'y' (mm)	Length (mtr)	Weight (Kg) 3mtr / 6mtr
GSB2020-3	SB2020-3	20	20	3 & 6 mtr Nominal	9.42 / 18.84
GSB4040-3	SB4040-3	40	40	3 & 6 mtr Nominal	37.68 / 75.36
*GSB5050-3	SB5050-3	50	50	3 & 6 mtr Nominal	58.89 / 117.78

*6mtr NOT available galvanised.



Square and rectangular hollow sections Self Colour & Galvanised

Note- Some self colour items may have a light oil coating.

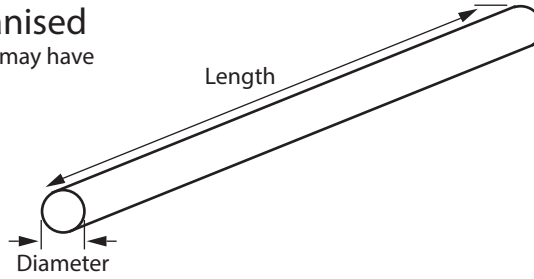


Product code Galvanised	Product code Self Colour	Dimension 'x' (mm)	Dimension 'y' (mm)	Thickness (mm)	Length (mtr)	Weight (Kg)
GSHS25253-3.75	SHS25253-3.75	25	25	3	3.75/3.8 Nominal	7.75
GSHS30303-3.75	SHS30303-3.75	30	30	3	3.75/3.8 Nominal	9.54
GSHS40403-3.75	SHS40403-3.75	40	40	3	3.75/3.8 Nominal	13.11
GSHS50503-3.75	SHS50503-3.75	50	50	3	3.75/3.8 Nominal	16.68
GSHS70703-3.75	SHS70703-3.75	70	70	3	3.75/3.8 Nominal	23.86
GSHS90903-3.75	SHS90903-3.75	90	90	3	3.75/3.8 Nominal	30.78
GRHS100503-3.75	RHS100503-3.75	100	50	3	3.75/3.8 Nominal	25.65
GSHS1001004-3.75	SHS1001004-3.75	100	100	4	3.75/3.8 Nominal	45.60
GSHS1201205-3.75	SHS1201205-3.75	120	120	5	3.75/3.8 Nominal	68.40



Round bar-Solid Self Colour & Galvanised

Note- Some self colour items may have a light oil coating.

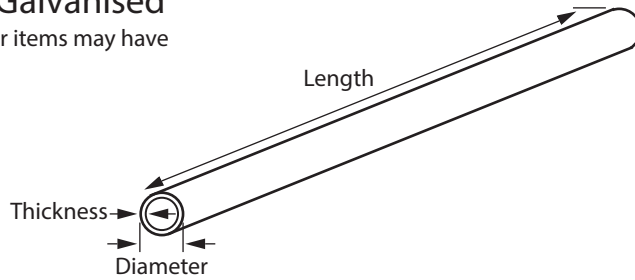


Product code Galvanised	Product code Self Colour	Diameter (mm)	Length	Weight (Kg) 3mtr / 6mtr
GSRB10	SRB10	10	3 & 6 mtr	1.86 / 3.72
GSRB20	SRB20	20	3 & 6 mtr	7.41 / 14.82
GSRB30	SRB30	30	3 & 6 mtr	16.65 / 33.30



Tube Self-colour & Galvanised

Note- Some self colour items may have a light oil coating.



Product code Self Colour	Diameter (mm)	Thickness (mm)	Length (m)	Weight (Kg)
CHS337.3-3.75	33.7	3	3.75/3.8 Nominal	9.16
CHS424.3-3.75	42.4	3	3.75/3.8 Nominal	11.74
CHS483.3-3.75	48.3	3	3.75/3.8 Nominal	13.58
CHS603.3-3.75	60.3	3	3.75/3.8 Nominal	17.14
CHS761.3-3.75	76.1	3	3.75/3.8 Nominal	21.85
CHS889.3-3.75	88.9	3	3.75/3.8 Nominal	25.69

Product code Galvanised	Diameter (mm)	Thickness (mm)	Length (m)	Weight (Kg)
T5-3.2mtr-Galv	26.9	3	3.20 Nominal	5.2
T5-6.4mtr-Galv	26.9	3	6.0/6.4 Nominal	10.40
T6-3.2mtr-Galv	33.7	3	3.20 Nominal	7.50
T6-6.4mtr-Galv	33.7	3	6.0/6.4 Nominal	15.00
T7-3.2mtr-Galv	42.4	3	3.20 Nominal	10.50
T7-6.4mtr-Galv	42.4	3	6.0/6.4 Nominal	21.00
T8-3.2mtr-Galv	48.3	3	3.20 Nominal	12.00
T8-6.4mtr-Galv	48.3	3	6.0/6.4 Nominal	24.00
T9-3.2mtr-Galv	60.3	3	3.20 Nominal	16.50
T9-6.4mtr-Galv	60.3	3	6.0/6.4 Nominal	33.00