

CARE AND MAINTENANCE

Door Furniture

At twelve (12) monthly intervals, the fixing screws securing the furniture to the door, both surface fix and through fix, should be checked and tightened as required. Loose fitting furniture which fails will not be covered under warranty.

All door furniture should only be wiped clean with a soft damp cloth. A non-abrasive mild household detergent may be used to remove ingrained grime.

Mortice Lock

Care should be taken to ensure the internal components are kept free of dirt and filings during installation as this is the most common cause of malfunction and will not be covered under warranty.

WARRANTY

Our goods come with guarantees that cannot be excluded under the local consumer law. You are entitled to have the goods repaired or replaced if the goods fail to be of acceptable quality and the failure does not amount to a major failure. The warranty does not cover any defect or damage which may be caused or partly caused if the goods are not properly maintained, installed or are not suitable to the specified application.

Refer to our website for our finish warranty.



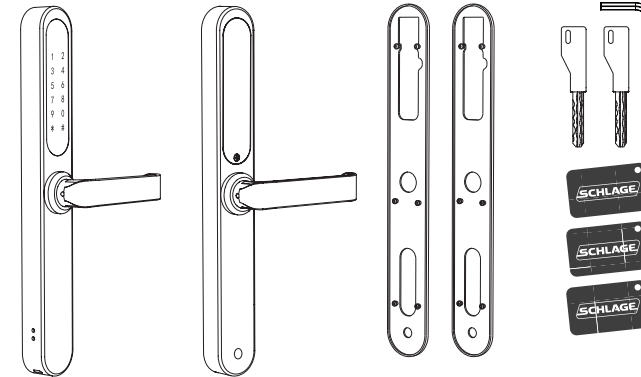
Artus Smart Lock

INSTALLATION INSTRUCTIONS



Box contents

External lock body Internal lock body Gaskets Keys & Tags



Door thickness

- 35mm-60mm

Tools required

- Tape measure
- Pencil
- Level
- Drill
- Drill bit - 10mm
- Hole saw - 20mm
- Screwdriver (Phillips)

Fixing Pack

Door thickness	Screw post	Screw	Spindle	Mortice Screw
35mm-45mm	M5*30mm x 2	M5*30mm x 1 M5*50mm x 1	7.8*7.8*60mm x 1	Aluminium Door: M5*10 mm x 4
46mm-60mm	M5*40mm x 2	M5*40mm x 1 M5*60mm x 1	7.8*7.8*80mm x 1	Wooden Door: M4*20 mm x 5

Allegion (Australia) Pty Ltd
Freephone 1800 098 094
Email auinfo@allegion.com
www.allegion.com.au

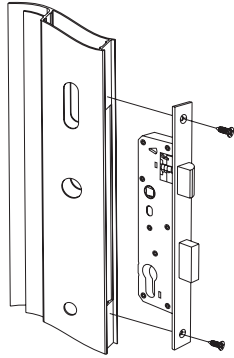
Allegion (New Zealand) Limited
Freephone 0800 477 869
Email nzinfo@allegion.com
www.allegion.co.nz



04/2023 PDSC0031

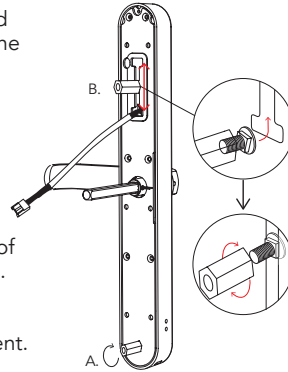
1. PREPARE THE DOOR

- Prepare the door hole preparation as per the Schlage Artus Smart Lock template.
- Mount lockbody into position.



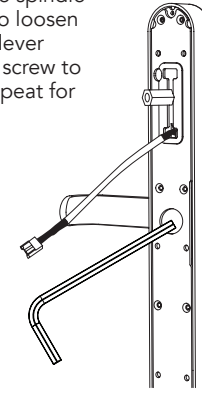
2. FASTEN POSTS

- Attach the post to the lower stud on the back of the external unit.
- Attach the second post to the fixing post screw, slide the screw head into the slot on the top of the back of the external unit. Loosely tighten post to screw to allow free moment.



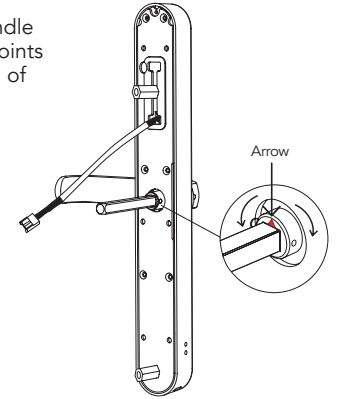
3. HANDING (AS REQUIRED)

Insert hex key into the spindle hole, remove screw to loosen the lever. Rotate the lever 180° and tighten the screw to reattach the lever. Repeat for the internal unit.



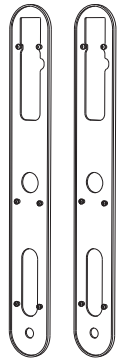
4. ADJUST SPINDLE HOLDER DIRECTION

Ensure the spindle holder arrow points in the direction of the lever.



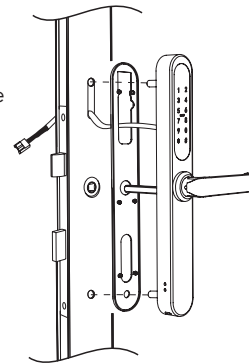
5. ATTACH GASKETS

Attach and secure rubber gaskets to the internal and external units.



6. POSITION EXTERNAL UNIT TO THE DOOR

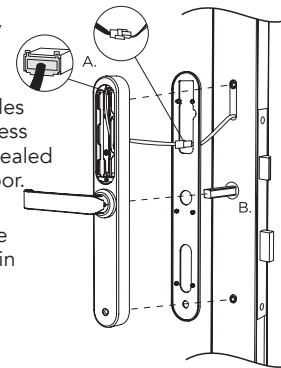
Position the external unit to sit flush on the door, ensuring the cable and spindle go through the fixing holes. Adjust the top fixing post to align with top fixing hole.



7. POSITION INTERNAL UNIT TO THE DOOR

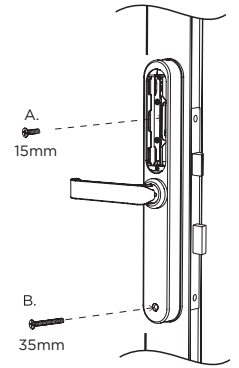
Remove battery cover from internal unit.

- Connect cables ensuring excess cable is concealed inside the door.
- Line up spindle to the spindle hole in the body of the unit.



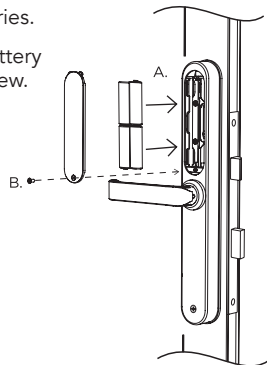
8. AFFIX UNIT TO DOOR

- Affix the internal unit using the fixing screws.
- Affix the extra faceplate screw.



9. INSTALL BATTERIES

- Install 4x AA alkaline batteries.
- Secure the battery cover with screw.

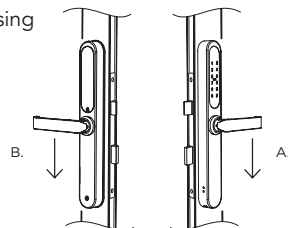


10. TEST LATCH OPERATION

With the door in the open position test lock operation;

- Rotate the external lever, ensure latch bolt **does not** retract (refer to step 4).
- Rotate the internal lever, ensure latch bolt **does** retract.

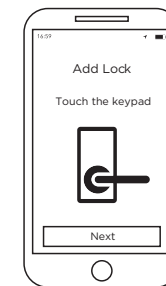
Test operation using code 123456#. (Ignore "add Bluetooth administrator" voice message when testing code).



11. PAIR AND PROGRAMME LOCK

Download the Schlage Breeze app, available on both the App Store and Google Play.

Pair the lock with the app, when prompted by the lock's voice command "Add Bluetooth administrator". Follow the instructions on the app.



USER TIPS

To activate the keypad press the # key.

When unlocking, after entering your PIN code, press the # key.

For additional security, lift lever upwards to throw the deadbolt.