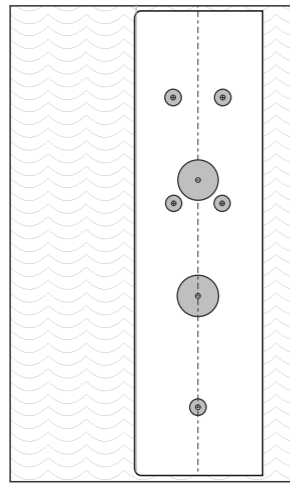
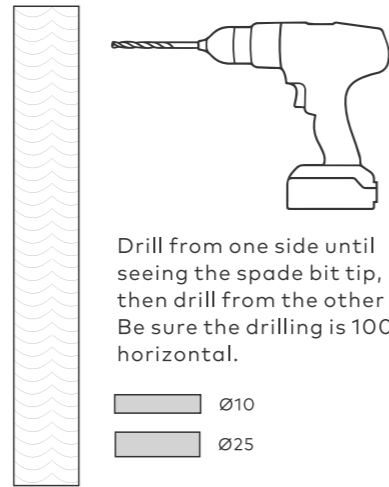


1 Drilling the Holes

1. Mark the holes positions using the template provided.



2. Select spade bit sizes as per template provided and drill the holes.

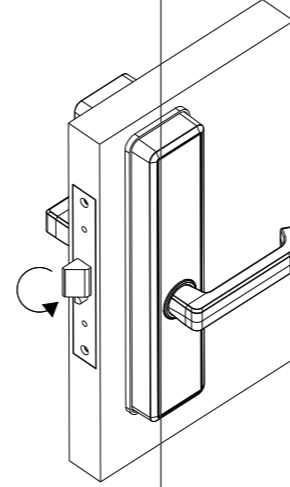


Drill from one side until seeing the spade bit tip, then drill from the other side. Be sure the drilling is 100% horizontal.

- Ø10
- Ø25

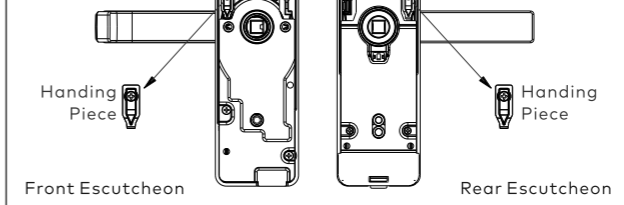
2 Inward Opening vs Outward Opening

Removing the mortice lock faceplate allows rotating the latch to be either inward opening or outward opening.



3 Lock Handing

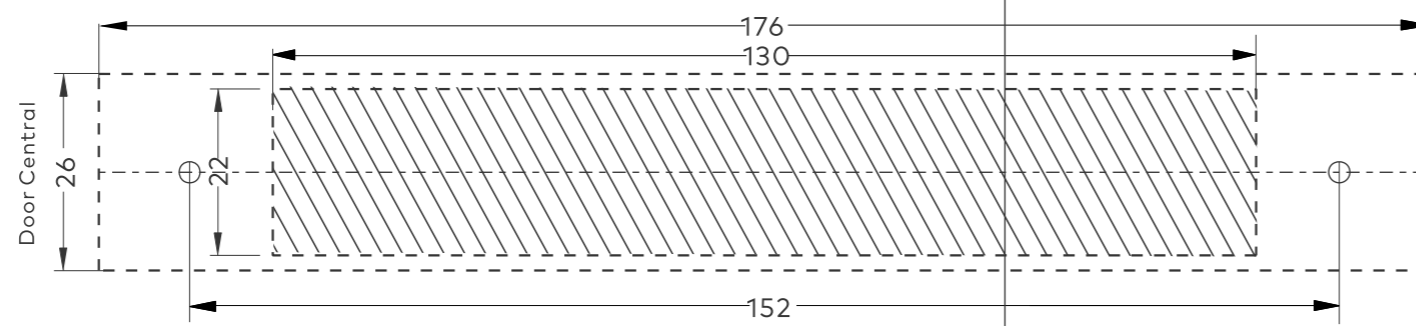
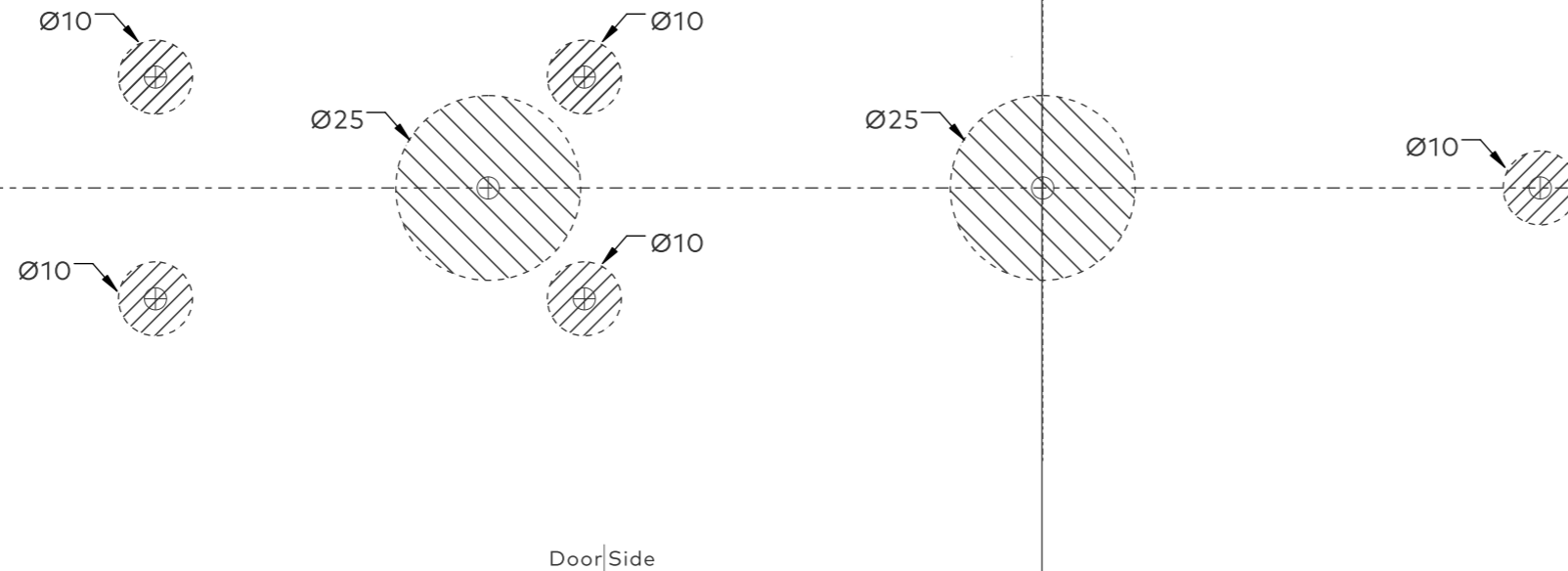
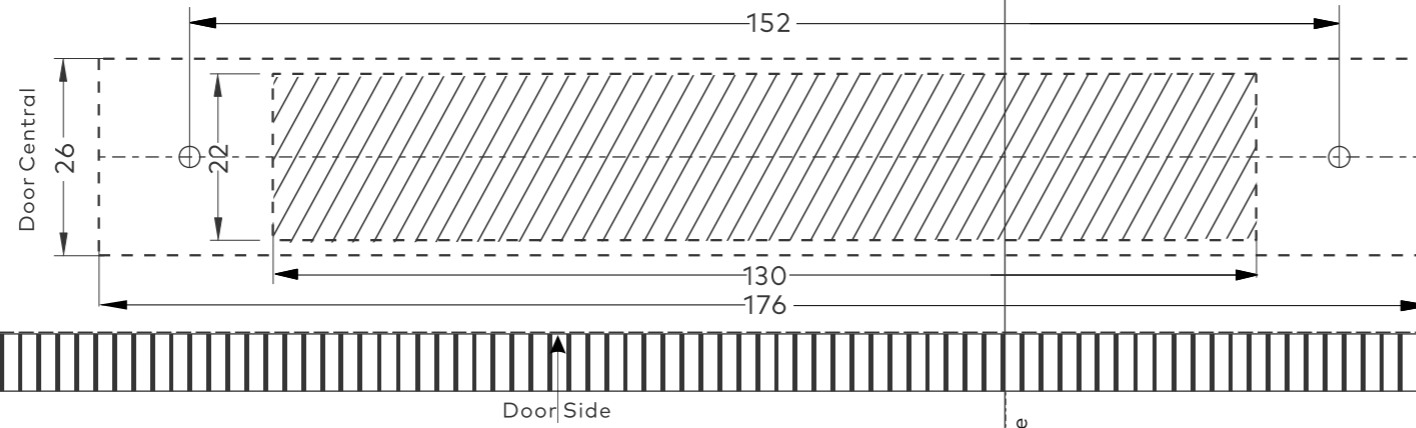
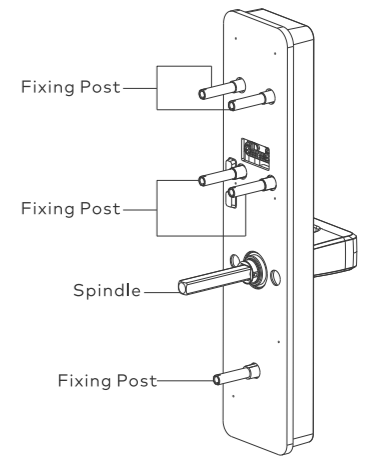
1. Using a Phillips screwdriver, remove the handing piece.
2. Rotate the handle 180 degrees.
3. Place the handing piece in the other side compartment.



Note:
This handing method won't work if the product has been supplied with a lever to compliant AS1428.1.

4 Accessories

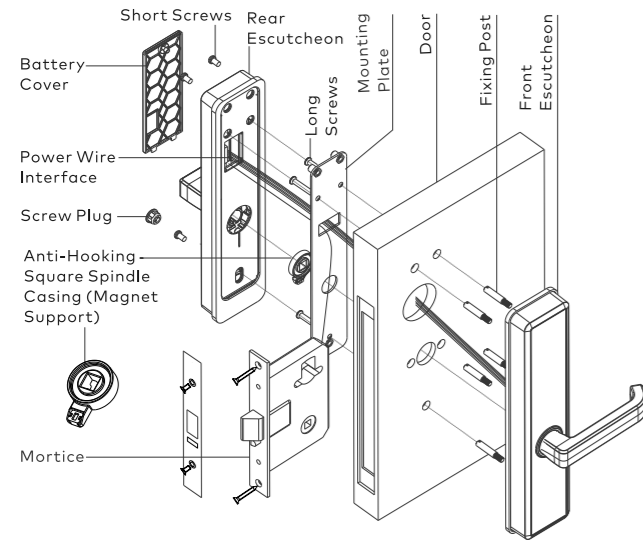
Screw the fixing posts into the front lock body. Place the spindle into position.



Unit	mm	Scale	1:1
M Series Australian Installation Guide			204040083

1
2
3

5 Installing the Lock



1. Mortise Install: Insert the mortise part into the cavity. Guide its cable through the upper main hole to the inside of the mortise case with the case mounting screws.
2. Front Escutcheon Install: Pass the cable through the upper main hole. Align and push all the fixing posts through the door footprint. Insert spindle from the interior across the mortise part.
3. Rear Escutcheon Install: Pass the cables through the mounting plate square hole. Using the correct screws, fit the mounting plate against the door. Connect the cables to the rear escutcheon. Fit the rear escutcheon to the mounting plate using the small screws provided.
4. Finishing the Installation: Insert batteries and place the battery cover. Install the strike box and plate on the door frame.

6 Installation Precautions

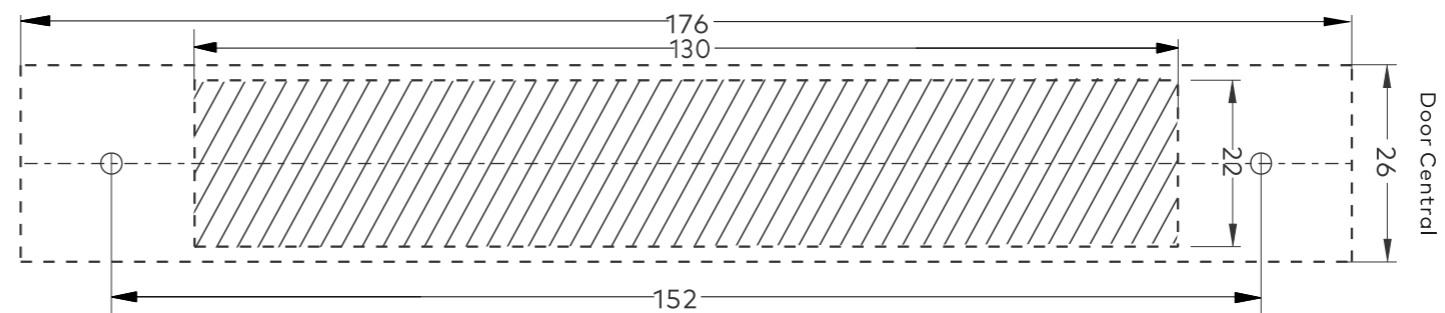
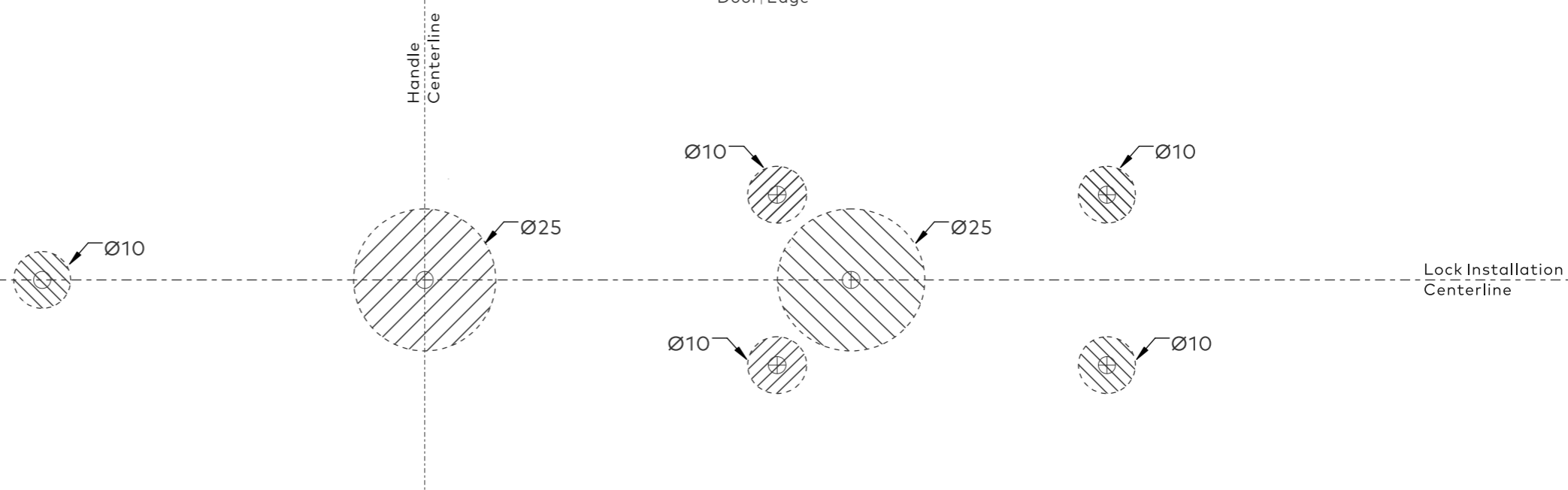
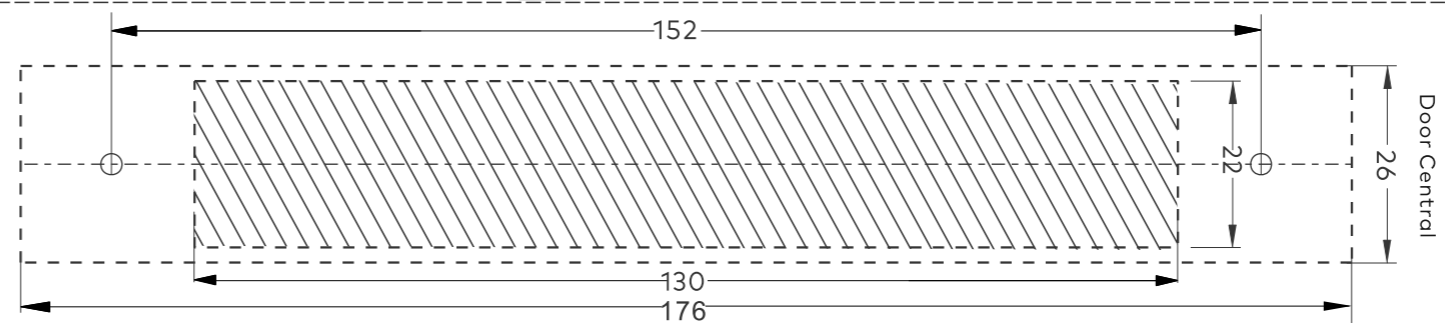
1. The product is suitable for 35mm - 50mm door thickness. To achieve up to 100mm door thickness, other spindles/screws sets are sold separately.
2. Avoid pinching or breaking cables during installation as this may cause product malfunctions.
3. Keep the product away from wood chips and/or other particles to prevent malfunctions.
4. Keep the lock protected during installation to avoid surface scratches.
5. Always follow the user guide and test the product's normal functionality.

7 Installation Tools

Tools used during installation:

- Measuring Tape
- Pencil
- Drill
- Hammer
- Chisel
- Cutter
- Phillips Screwdriver
- Cutting Machine
- Drill Bit Ø10
- Spade Bit Ø25

Note:
Pictures in this installation guide are reference only.



Unit	mm	Scale	1:1
M Series Australian Installation Guide			
204040083			