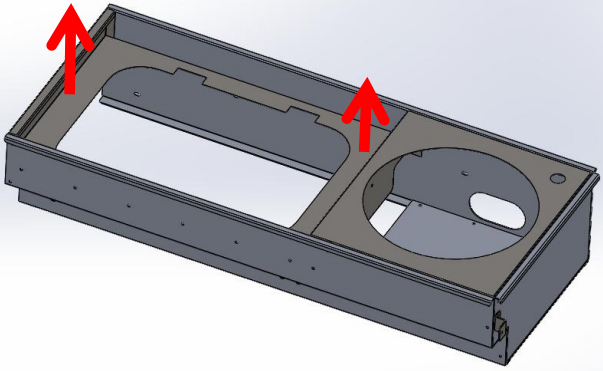
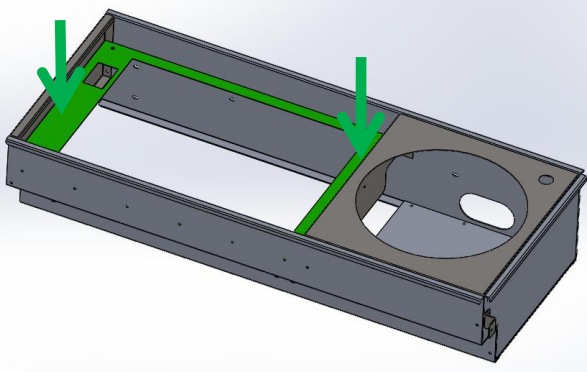
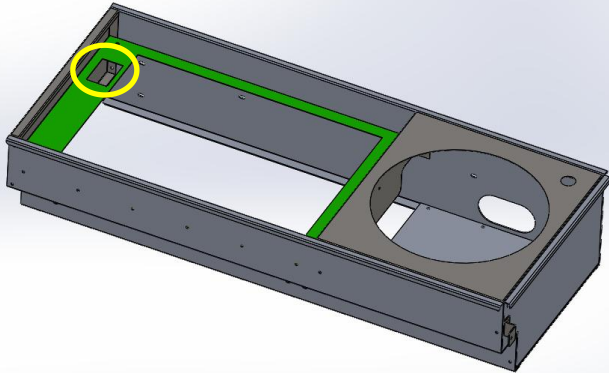




This manual is special made for the user who is upgrading from old version stove into new version. Please follow below steps to complete the upgrading:

	<p>STEP 1</p> <p>Remove the support plate in the bench by removing the screws or rivets.</p>
	<p>STEP 2</p> <p>Put the new support plate into the bench and fix with assorted 5*12 black aluminium rivet.</p>
	<p>ATTENTION:</p> <p>Place the support plate in the correct direction, otherwise the support plate could not be put in.</p>

Parts and components

1. New support plate*1
2. 5*12 size black aluminium rivets*20, for fixing support plate
3. 5*25 size cross recess head screws*4 and matched flat gaskets * 4, for fixing new stove.