













EL CAP TRAILER OWNERS MANUAL

TABLE OF CONTENTS



 Key Information	03
Warranty, Driving with camper, How to get camper in vehicle; Payload, GVWR, GAWR, Tire Capacity; protect truck bed, suspension enhancements, additional safety	
 Camper Features	04
Deisel heater, awning, refrigerator, vent, toilet, leg jack, magnetic wall, pass through compartment, gas compartment, molle system, gas strut windows	
 Water System	05
Filling cleaning and storing water jugs,	
 Electrical	06
 Internal & External Care	07
Battery box, Lights, Solar Panels	
 Specifications & how to's	08
Clean fiberglass, clean floors, cleaning aluminum, storing Camper,	
 Warnings & Cautions	09
Cut sheet, second bed, leveling truck, Opening tent	
 Dealer & Customer Checklist	10
LP safety, smoke detector, Fire Extinguisher, carbon monoxide detector, Fire Safety, gas stove,	
 Leg Jack Use	11
 Setting Up Your Beds	12





**WHAT EL CAP
IS ALL ABOUT**

INTRO



Please Note that this manual covers basic information about the EL CAP Truck Camper. Always reach out to our customer care professionals with any questions about the use and care of this camper.

Congratulations on your new TRIBE® Camper. The warnings, cautions and instructions discussed in this manual cannot cover all possible conditions and/or situations that may occur. It is understood that the user of this EL CAP Camper uses common sense and caution. Please get professional training if

you are unaware of how to safely operate this camper.

For any questions or concerns you can call us directly at 1-866-220-0171, or email us at support@tribetrailers.com.



WARRANTY



TRIBE LIMITED WARRANTY

This Limited Warranty covers defects in material or workmanship in any components of a new TRIBE camper purchased from an authorized TRIBE dealer in the United States or Canada for a period of one year from the date the trailer is first delivered to the original retail purchaser.

LIMITATION OF IMPLIED WARRANTIES

Implied warranties arising under applicable law, if any, including but not limited to implied warranties of merchantability or fitness for a particular purpose, are hereby limited in duration to the term of this Limited Warranty. All other warranties, express or implied, are hereby disclaimed by TRIBE.

DISCLAIMER OF INCIDENTAL AND CONSEQUENTIAL DAMAGES

TRIBE hereby disclaims any and all incidental and consequential damages arising out of or relating to the camper, including expenses such as transportation to and from vehicle dealerships and TRIBE repair facilities, loss of time, loss of pay, loss of use, inconvenience, commercial loss (including lost profits), towing charges, bus fares, vehicle rental, service call charges, gasoline expenses, incidental charges such as telephone calls and facsimile transmissions, and expenses for lodging. This disclaimer is independent of any failure of the essential purpose of any warranties provided with a trailer and shall survive any determination that a warranty failed of its essential purpose.

REPAIR REMEDY

If within the one (1) year Limited Warranty period a defect in material or workmanship is found to exist that is not excluded from coverage, TRIBE's sole and exclusive obligation shall be to replace the defect. As a limited backup remedy in the event the RV cannot be repaired, to determine in the sole and absolute discretion of TRIBE, after a reasonable opportunity to repair, TRIBE may, at its option, either (1) pay you an amount equal to Tribe's determination of the diminution in value of the RV that was caused by the defect, or (2) provide a similar replacement RV, less a reasonable allowance for the owner's use of the original RV, to be determined by TRIBE.

WARRANTY CLAIM PROCEDURE

Upon discovery of a defect, please contact TRIBE within five business days by registered letter, phone call (330-852-4811), or visit the warranty section of the TRIBE website (tribetrailers.com). Please be prepared to provide the VIN number of the trailer along with your name and best mode of contact (along with hours, if necessary).



WARRANTY



OBTAINING WARRANTY SERVICE

If you have not registered your warranty, you will be asked to provide your bill of sale, so that the purchase date can be verified. In order to obtain warranty service under this Limited Warranty, the owner must do all of the following:

1. Owner and dealer representative must complete and return the Customer Performance Checkout within 10 days from delivery of the trailer;
2. Notify TRIBE or one of its authorized, independent dealers, of any claimed defect within the warranty period or 10 days thereafter;
3. Provide notification of a defect within 10 days of discovery of that defect;
4. Promptly return the trailer to an authorized TRIBE dealer or TRIBE for repairs.

EXCLUDED FROM COVERAGE

Misuse, abuse, collision, improper repairs, overloading, neglect or lack of maintenance which results in damage.

Alteration or installation of equipment, not approved by TRIBE, that results in damage. This includes, but is not limited to electrical, gas, plumbing or structural issues.

Normal wear, fading or deterioration of fabrics, flooring, graphics or metal components including weathering, discoloration, surface corrosion of unpainted surfaces or minor blemishes due to normal use.

Any product used outside of the intended scope of its customary purpose.

Any unregistered product not normally used in the US or Canada.

Any product used as a rental unit.

Any promises made by any person beyond what is stated in this document.

Condensation on any window or other parts or any results of condensation.

STATUTE OF LIMITATION

No action may be brought against TRIBE for breach of this Limited Warranty, any applicable implied warranty, or for any other claim arising out of or relating to a TRIBE trailer, more than thirty (30) days after: (1) expiration of the one year (12) month Limited Warranty period; or (2) expiration of the ten (10) day notice period that follows expiration of the Limited Warranty period, if such notice is given.



WARRANTY



CHANGES IN DESIGN

TRIBE reserves the right to make changes in design and improvements upon its products from time-to-time, without imposing upon itself any obligation to install additional features in your trailer.

LEGAL PROCEDURES

In addition to the provisions of this warranty, the retail purchaser has available the legal remedies provided by the Magnuson-Moss Warranty Act and any applicable State statutes. Implied warranties, including any warranty of merchantability or fitness of a product for a particular purpose, are limited in duration to the term of this written warranty. Some states do not allow limitation on how long such a warranty lasts, so the above limitation may not apply. You may have rights, outside of what this warranty states, which is on a state-by-state basis.

REPLACEMENT PARTS

While most parts of your camper are replaceable, some may not be. This is due to availability of product or supply and demand of the markets and manufacturers outside of TRIBE. Should you need a replacement part, your dealer will be able to get it for you. All OEM (Original Equipment Manufacturer) part replacements must be acquired from your dealer since TRIBE does not support direct part sales. If OEM parts are unavailable, your dealer will try to offer an alternative solution or substitute according to their abilities.

AFTERMARKET ALTERATIONS

Many folks in the TRIBE family love to personalize and make their camper unique through various accessories, additions and aftermarket alterations. TRIBE encourages and enjoys seeing their customers fully enjoy their experience with their products. Important information to know and understand BEFORE you install aftermarket parts and personalize your camper:

1. Important safety items can be damaged by installation of aftermarket parts. Even driving fasteners into a component, depending on where it is, can damage functionality of items that contribute to safety.
2. ALWAYS consult your dealer to discuss the eligibility of installing the aftermarket part and make sure your plan is safe
3. Make sure water sealing is not compromised by the aftermarket part, component, accessory or other equipment you are installing and will not impede function of previously installed components by TRIBE.
4. Any parts and components of the camper affected by and along with the aftermarket part, component, accessory must be carefully evaluated to ensure they function as intended and do not compromise the safety or integrity of the camper.

IMPORTANT NOTES ON AFTERMARKET ALTERATIONS:

Consult your dealer for advice on the eligibility and safety of any aftermarket modifications.

Ensure that any alterations do not compromise water sealing or impede the function of existing components.

Evaluate the impact on safety items to prevent any damage that may affect overall safety.

Be aware that certain aftermarket alterations may void certain warranties or coverage.



GOLDEN RULES FOR LOADING & UNLOADING

NEVER allow the front of the camper to become lower than the back.

NEVER back into or turn into jacks.

NEVER leave the camper in an elevated position supported by jacks. Lower to the ground or support weight on fixed platforms (saw horses , etc).

ALWAYS keep the front of the camper slightly higher than the back.

ALWAYS keep camper level side to side.

ALWAYS ensure that camper is clear of truck bed when backing and pulling out.

STOP frequently when loading & unloading to ensure camper is level side to side and the front is slightly higher than the rear.

ALWAYS REMEMBER that you are moving a dynamic load weighing thousands of pounds.

USE EXTREME CAUTION

- As you change levels, side to side, front to back, and corner to corner, you are shifting hundreds of pounds of weight. It is very important that the load remain as evenly distributed on all four jacks as possible.

No one jack, especially when swing outs are used, will support the shifting weight of the camper if a disproportionate load is shifted onto it!

Keep the load evenly distributed!



LEG JACK USE



TRUCK CAM PER LEGS: HAPPIJAC CAMPER JACKS (MANUAL VERSION)

MAKE SURE THAT WHEN YOU REMOVE THE CAMPER YOU ARE ON EVEN GROUND AND LEVEL THIS WILL NOT WORK ON A SLOPE OR ANGLE. WHEN LOWERING THE CAMPER WORK FROM ONE SIDE TO THE OTHER MAKING SURE YOU COME DOWN A FEW INCHES AT A TIME AND KEEP THE CAMPER LEVEL. WORK LEFT TO RIGHT AND FRONT TO BACK LOWERING THE CAMPER EVENLY AND SAFELY.



USING THE CRANK HANDLE:



BRING JACK LEGS DOWN



PLACE CONCRETE PAVERS UNDERNEATH THE LEGS



RAISE LEGS LIFT CAMPER OFF TRUCK



DRIVE TRUCK AWAY



SLOWLY LOWER SIDES



LOWER BUT LEVEL CAMPER

1. Level Ground
2. Go Slowly
3. Lower down small increments from left to right and front and back keeping the camper level.
4. Use Paver's to have a secure wide base
5. Strap down to the ground when camping or storage
6. Reverse instructions when placing on truck bed and secure with heavy duty ratchet straps.



SECURE CAMPER WITH RATCHET STRAPS



SECURE AND LEVEL



PREPARING YOUR TRUCK BED FOR THE CAMPER

Preparing Your Truck Bed for a Tribe Trailers Camper

Before installing your Tribe Trailers truck camper, it's crucial to properly prepare your truck bed to ensure a safe and secure fit. Follow these steps to ensure a successful installation:

Clear Debris and Clean the Truck Bed:

Begin by thoroughly sweeping out the back of your truck bed. Remove any dirt, leaves, or debris to create a clean and level surface.

Inspect for Potential Hazards:

Carefully examine the truck bed for any objects or sharp edges that may pose a risk to the camper during installation or use. Remove any items that could potentially damage the camper.

Ensure Proper Fit:

Verify that the dimensions of your truck bed align with the specifications provided for your Tribe Trailers camper model. It's crucial that the camper fits snugly and securely within the bed of your truck.

Consider a Protective Rubber Mat:

For added protection, we highly recommend placing a durable rubber mat inside your truck bed. This mat serves as a cushioning barrier between the truck bed and the fiberglass bottom of your camper. Failing to install a mat or similar protective layer may result in damage to your truck camper.

Note: When selecting a mat, ensure it covers the entire bed area and is compatible with your truck model.

Securing the Mat:

If your chosen mat requires securing, use appropriate fasteners or adhesive as recommended by the manufacturer. Make sure it lies flat and is free from any folds or wrinkles that may affect the camper's placement.

Perform a Final Check:

Before proceeding with the installation, double-check that the truck bed is clean, free from potential hazards, and that the protective mat, if used, is properly secured and positioned.

By following these steps, you'll create an optimal environment for installing your Tribe Trailers truck camper. Taking the time to prepare your truck bed correctly ensures a safe and reliable camping experience.



HOW TO GET CAMPER INTO YOUR TRUCK



CAUTION :

Always insert the crank handle before releasing the manual locking lever. This lever disconnects the jack from the motor head (or lock cap in the case of manual jacks). These are the primary locking mechanisms. While highly unlikely it is not impossible that there could be a load induced retraction of the jack. When not properly locked. When the crank handle is inserted, even if the locking lever is in the unlocked position, the jack will not auto retract under load.

Attaching the Truck Camper to Your Truck Bed

Before beginning the attachment process, ensure you are on level ground and have confirmed that all four of the truck camper's legs are securely attached to their provided brackets. You can use an impact drill or the hand crank for this operation. Begin by raising the front of the camper a few inches (4"6") higher than the rear. Maintain this differential until the camper is resting on the truckbed.

Raising the Camper:

Use an impact drill or the hand crank to start raising the camper. Ensure that you raise the camper very slowly, doing one leg at a time. you can raise the camper from either front to back, or side to side. Be extremely cautious to avoid any leg from being off the ground. Failure to do so may result in serious injury or even loss of life.

Positioning the Camper:

Lift the camper to a height of 3-4 inches above your truck's bed.

Aligning with Your Truck:

Carefully reverse your truck so that the camper is properly aligned with the bed. Ensure the camper's center of gravity aligns with your truck's load range, typically corresponding to your center axle. Check your truck's load range specifications to verify the alignment.

Avoiding Wheel Well Contact:

Ensure the camper is positioned in a way that it will not make contact with your truck's wheel wells.

Lowering the Camper:

Once properly aligned, gently lower the camper onto your truck's bed.

Securing the Camper:

Each El Cap camper comes standard with ratchets and tie-down points. PHOTO tie down Attach the ratchet to your camper's tie-down point. Attach the other end of the ratchet to your truck bed's tie-down point.

Note: Different truck beds have varying tie-down points and ratings. Verify that your truck's tie-down points can support the weight of the camper before using this method.

Third-Party Mounting Options:

Consider exploring third-party truck camper mounting options. These installations are typically integrated into your truck's frame, providing a robust and stable connection for your truck camper. Please contact your dealer to discuss alternative tiedown options for your camper.

CAUTION: This Process is incredibly dangerous and needs to be preformed with extreme caution. Make sure that you follow the directions carefully, if there is any moment where you feel unsafe contact a professional to help you with this process. Never stand underneath the camper while the camper is on its legs. Failure to use extreme caution during this process may cause bodily harm or potential death.



HOW TO DRIVE WITH A CAMPER



Driving Safely with Your Tribe Trailers Truck Camper

Congratulations on your purchase of a Tribe Trailers truck camper! We're excited to have you as a part of our community. To ensure your safety and the safety of others on the road, it's important to understand how to drive with a truck camper properly. This section will provide you with essential guidelines and tips for a smooth and secure driving experience.

1. Never drive with anyone in the camper.

Do not allow anyone to be in the camper while driving. This situation is extremely dangerous and can cause serious bodily harm or death if in an accident.

2. Weight Distribution and Payload:

The truck camper weighs approximately 1100 pounds. It's crucial to distribute the weight evenly inside the camper to maintain stability while driving. Ensure that the total payload, including passengers and cargo, does not exceed the recommended weight capacity of your truck. Refer to your vehicle's manual for specific weight limits.

3. Towing Capacity and Class 2A Trucks:

Our truck camper is designed to fit most Class 2A trucks and larger. It's essential to know your vehicle's towing capacity and ensure it meets or exceeds the weight of the camper.

4. Pre-Drive Inspection:

Before each trip, conduct a thorough inspection of your truck and camper, paying special attention to:

Tires: Check for proper inflation and tread depth.

Lights: Ensure all external lights are functional, including brake lights, turn signals, and hazard lights.

Hitch and Coupler: Verify they are securely fastened and in good condition.

Safety Chains: Confirm they are attached properly and not damaged.

Camper Attachment: Ensure the camper is safely and securely fastened to your vehicle.

5. Load Distribution:

Place heavier items low and towards the front of the camper to maintain a lower center of gravity. This helps prevent swaying and fishtailing while driving.

6. Speed and Braking:

Adhere to posted speed limits and drive at a safe speed for road and weather conditions. Keep in mind that a truck camper may require longer braking distances, so maintain a safe following distance.

7. Maneuvering and Turning:

Due to the added weight, be aware that your truck's handling may be affected. Exercise caution when turning, especially in tight spaces. Take turns wider than usual to avoid curbs and obstacles.

The added weight may cause your truck to tip if turns are taken too sharply.

8. Hills and Inclines:

Approach steep hills and inclines with caution. Use lower gears when ascending and descending to prevent excessive strain on your vehicle's transmission and brakes.

9. Wind and Weather Conditions:

Be aware that high winds can affect the stability of your truck and camper. Reduce speed and use caution in windy conditions.

10. Emergency Situations:

Familiarize yourself with the location of your emergency equipment, including the spare tire, jack, and fire extinguisher. Have a plan in place for roadside emergencies.

11. Practice Safe Parking:

When parking, choose level ground whenever possible. Use wheel chocks or blocks to stabilize the camper.

By following these guidelines, you'll help ensure a safe and enjoyable experience with your Tribe Trailers truck camper. If you have any further questions or concerns, don't hesitate to contact our customer support team. Happy travels!



PAYLOAD, GVWR, GAWR, TIRE CAPACITY



PAYLOAD:

Payload capacity refers to the maximum weight a vehicle can carry in terms of cargo, passengers, and any additional equipment or accessories. It is an important specification to consider when using a truck for hauling purposes, as exceeding the payload capacity can lead to safety hazards, reduced performance, and potential damage to the vehicle.

To determine the payload capacity:

Locate the GVWR: Look for a sticker or plate on the driver's side door frame. It will display information about the vehicle, including the GVWR.

Subtract Curb Weight from GVWR: The curb weight is the weight of the truck when it's empty, including a full tank of fuel and other essential fluids. Subtract the curb weight from the GVWR to find the maximum payload capacity.

$\text{PayloadCapacity} = \text{GVWR} - \text{CurbWeight}$

Consider Passenger Weight:

If you plan on carrying passengers in addition to cargo, be sure to account for their weight as part of the payload.

Account for Additional Equipment:

If you've added any aftermarket accessories or equipment to your truck, their weight should also be factored into the payload.

GROSS VEHICLE WEIGHT RATING:

GVWR stands for Gross Vehicle Weight Rating. It is a crucial specification provided by the manufacturer that represents the maximum allowable weight a vehicle can safely carry, including its own weight. This weight includes the vehicle's curb weight (the weight of the vehicle when it's empty, with a full tank of fuel and other essential fluids) as well as the weight of passengers, cargo, and any additional equipment or accessories.

GROSS AXILE WEIGHT RATING:

GAWR stands for Gross Axle Weight Rating. It is a specification provided by the manufacturer that represents the maximum allowable weight that can be placed on a single axle of a vehicle. This rating is important because different axles on a vehicle may have different weight-bearing capacities.

TIRE CAPACITY:

Tire capacity refers to the maximum load a tire is designed to carry safely. It is expressed in terms of a weight rating, which is typically provided in pounds (lbs) or kilograms (kg). This rating indicates the maximum weight that a single tire can support under normal operating conditions. We highly recommend using tires with at least a E rating to insure safety and reliability.

Overloading or not adhering to your vehicle's regulations can lead to safety hazards, reduced performance, and potential damage to the vehicle. Therefore, it's essential to know and adhere to your vehicle's weight ratings when loading and using your vehicle.



SUSPENSION ENHANCEMENTS



To ensure a smooth and enjoyable camping experience, it's crucial to address the suspension requirements of your vehicle. The El Cap's well-designed structure places weight evenly, but additional suspension enhancements are recommended to prevent sagging and ensure optimal performance during your travels.

Why Suspension Enhancements are Important

Preventing Sag and Ensuring Stability

The addition of suspension enhancements is imperative to counterbalance the extra weight of your El Cap camper. Without proper suspension support, your truck may experience sagging, which can lead to uneven tire wear, reduced handling capabilities, and increased strain on the vehicle's components. Furthermore, it ensures that your vehicle maintains stability and control, especially in challenging terrain or adverse weather conditions.

Suspension Enhancement Options:

Air Bag Air Ride Suspension

Recommended for: Those seeking adjustable and dynamic support.

The Air Bag Air Ride Suspension is a versatile system that uses air-filled bags to provide customizable support to your truck's suspension. This option allows you to adjust the level of support based on load and terrain conditions. It provides a smoother ride and effectively counters any sagging caused by the camper's weight.

Helper Springs

Recommended for: Owners preferring a cost-effective and durable solution.

Helper springs are additional coil or leaf springs that work in conjunction with your existing suspension system. They offer consistent support and help distribute weight evenly, reducing sagging and enhancing stability. This option is known for its durability and reliability, making it an excellent choice for various terrains and load capacities.

Overload Springs

Recommended for: Those requiring heavy-duty support for exceptionally heavy loads.

Overload springs, also known as load-leveling or supplemental springs, are designed to provide extra support when your truck is carrying an exceptionally heavy load. They prevent the vehicle from bottoming out and maintain a level stance even under extreme weight conditions. This option is ideal for those who frequently carry heavy loads and require additional reinforcement.

Safety Considerations | Avoiding Overloading

While suspension enhancements are crucial for optimal performance, it's essential to remember that they are not a substitute for responsible loading practices. Overloading your truck's bed can lead to unsafe driving conditions, reduced braking efficiency, and potential damage to your vehicle's suspension system. Always adhere to the manufacturer's recommended load limits, and distribute weight evenly to ensure the safety of both your vehicle and passengers.

Conclusion

Investing in the right suspension enhancements for your El Cap truck bed camper will greatly enhance your camping experience. Whether you choose Air Bag Air Ride Suspension, Helper Springs, or Overload Springs, you'll be ensuring a safe, stable, and comfortable journey. Remember, proper loading practices are equally important, so always be mindful of your vehicle's capacity. Happy and safe travels with your El Cap camper!

Note: Before making any modifications to your vehicle, consult with a qualified mechanic or suspension specialist to ensure compatibility and proper installation.



RECOMMENDED LIST OF SUPPLIES



We recommend that you have a detailed list of supplies that is either stored on the vehicle, or brought with you before every journey. Failure to be prepared can leave you in a unfavorable position. Its always best to be over prepared rather than unprepared. Below is a list of items we strongly advise you to have on every adventure.

- Basic socket set with ratchet, Impact driver and socket, or breaker bar.
- Spray bottle with a mixture of soapy water.
- Small Gas sensor for any gas leaks.
- Tire pressure gauge.
- Food and water.
- Multimeter.
- Emergency wiring and connection kit.
- Basic hand tools: Screwdrivers, wrenches, pliers, ETC ..
- Spirit level.
- Small Generator: In the Case of Battery failure.
- Emergency stop kit: road flares, cones, reflectors, lights, etc ...
- Navigation and communication: A satellite phone that pairs as GPS.
- Ratchet Straps & Concrete paver's for stability + ground stakes
- First aid kit
- Fire Extinguisher
- Air Compressor + tire repair kit.
- Water Filter for running water purification.
- Medication
- Bug repellent & Sunscreen



SAFETY WHILE DRIVING ON DIFFERENT TERRAIN



CORRUGATED & ROUGH ROADS

Corrugations are arguably the most taxing & damaging road conditions for vehicles. Constant vibration can loosen vehicle components and adds stress to vehicles well in excess of normal road driving.

In these conditions take regular breaks to reduce driver fatigue & fatigue to your Unit.

When driving on rougher roads you need to take into consideration the fact you are towing a heavy Unit behind your vehicle & it has added length and weight to your setup.

Shock absorbers can become extremely hot on corrugated roads which can cause damage to seals resulting in shock absorbers fading (reduction in damping effect) and in extreme cases failure of the seal completely.

On rough and corrugated roads, it's important to adjust tire pressures on your car and TRIBE Unit to soften the effect and extend the contact patch of the tire on the road. When driving in these conditions, it is strongly advised you carry a tire pressure gauge/ deflator and a portable compressor to reinflate when back on the highway.

We highly recommend reducing your tire pressure when driving on corrugated terrain.

Please Note: When returning to main roads after being off road make sure to reinflate the tires back to their correct pressures.

When traveling on corrugated roads it is highly recommended to stop and take a break every hour to check the following parts on your Unit:

1. Tires - Check Pressure and condition
2. Wheel Nuts - make sure they have no loosened
3. Trailer is lowered completely and pins are in place
4. Undercarriage- inspect the underside of your trailer insuring no loose parts or nuts.

Corrugated roads also put a lot of strain on the batteries within your truck. The vibrations in extreme cases can lead to dead cells which will severely hinder your batteries' performance and result in a dramatically lower life span. They can also loosen the terminals which can mean a bad power connection & cause the power to cut out to the truck

If traveling on corrugated roads, put the batteries on a thick piece of rubber to lessen the vibrations caused by corrugated roads. This will not completely protect them but will lessen their impact.

Also ensure to check the wing nuts before you set up your Unit to ensure their connection is tight



SAFETY WHILE DRIVING ON DIFFERENT TERRAIN



SAND

When driving on sand it is important to lower tire pressure on both the vehicle. By lowering the pressure, you will effectively create a larger footprint for the tire which will reduce how far it sinks in sand. Note: You have a extremely large amount of weight on the bed of your truck so do not go into any silty or soft sand you can potentially get stuck. Always have someone with you to help recover the vehicle if you get stuck and a winch and recovery straps may be required.

Sand shape & compaction will vary around the country, so it is necessary to reduce the tire pressures. When driving in these conditions, it is strongly advised you carry a tire pressure gauge/ deflater and a portable compressor to reinflate when back on the highway.

SILT OR DUST

This phenomenon is common on dirt roads. Fine dust can settle in large potholes obscuring them from unsuspecting drivers. It is important to reduce speed in these conditions and drive carefully to avoid the possibility of damage or an accident. It is impossible to prevent bulldust from getting into your Unit. One of the best ways to prevent bulldust from penetrating the seals on your Unit is to apply a thin amount of Vaseline to the main seals on the body & toolbox of the Unit to catch the dust before it can enter. If this practice is used, please remember to clean it away before storing your trailer.

Please Note: TRIBE Units are not dust proof. Any resulting damage from traveling on his terrain is not covered by the Warranty.

SAFETY WHILE DRIVING ON DIFFERENT TERRAIN

RIVER CROSSING

These crossings can be extremely dangerous even in low water levels and should never be attempted in times of even mild flooding. Towing a camper or caravan greatly elevates the risk in this situation and should never be attempted unless you are completely assured it is safe to do so.

If there is any doubt about access in flood prone areas, you should contact the local authorities to find out conditions and dangers before you proceed.

Please Note: TRIBE Units are not waterproof. Any resulting damage due to river crossings is not covered by the Warranty.



ADDITIONAL SAFETY INFORMATION



SAFETY DURING AND EMERGENCY STOP

Please carry a warning device, i.e., Reflective Triangle, to be displayed when necessary.

Pull off the road as far as possible when changing a tire, or in other emergency situations, remembering your Unit is larger than the tow vehicle.

It is advisable that everyone leaves the car and stays well clear when it is parked on the edge of a road or highway.

If in an offroad situation

- Make sure you are in a secure location where the vehicles are stable
- Immediately have all the passengers stay away from the vehicle and trailer
- Before proceeding with any situation always look around, assess the situation and then take action.
- Your safety and your passenger's safety is always your #1 Concern.

BAD WEATHER

While camping you may encounter bad weather, if bad weather is forecast and if equipped, take down the awnings completely & pack it away to avoid any damage, weather damage is not covered by TRIBE's warranty.

DO NOT attempt to setup any awnings in extreme conditions or when strong winds are present as damage will occur and is not covered by the warranty.

SECURING YOUR UNIT

Once the perfect location has been found, it is highly recommended to use suitable wheel chocks to help secure the Unit & prevent it from moving in the event of any brake failure. Wheel clamps or chocks can both deliver this security & can be found at most vehicle goods stores.

Below are some tips regarding the security of your Unit, more can be found in the storage section of this manual also.

SPEED

In ideal road conditions, the maximum recommended speed for safely transporting a camper is 60 mph, depending on weather conditions. Your camper is more likely to sway under higher speeds, thus increasing the possibility for loss of control. Your tires can also overheat, increasing the possibility of a blowout.



ADDITIONAL SAFETY INFORMATION



- Different Vehicle Handling Dynamics. Your camper will be more sensitive to steering in windy conditions. Larger vehicles passing will have a greater effect on the control and handling of the vehicle.
- Slower Acceleration. You will need a longer distance to pass, due to slower acceleration and increased length.

DRIVING PRACTICES

Safe driving practices and habits

- Slippery conditions. Slippery road surfaces will be more dangerous when driving a vehicle with a camper, compared to driving without a camper.
- Rainy Weather. While rain may seem harmless, the dangers of hydroplaning increase if you do not reduce your speed. Turn on your emergency flashing lights to help others on the road to see you better, especially in heavy rain where visibility is reduced.
- Black Ice. In rainy weather when temperatures drop to 32° or lower, black ice is possible and will show up on bridges first. Reduce your speed to reduce the risk of losing control.
- Always check your rear view mirrors before changing lanes and always use turn signals.
- Use lower gears when driving down steep or long grades. The engine and transmission should not serve as a brake but rather to maintain a lower speed. Use brakes to gently reduce speed then rely on your engine to maintain the speed. Do not use your brakes, as they may overheat and become ineffective.
- Always be aware of your campers height, especially when approaching bridges, roofed areas and trees. It is helpful to know your exact clearance height and check the height dimension on each bridge before passing underneath.
- Obey all traffic rules. They are for your safety.
- Wear your seatbelt.
- Be alert and courteous to fellow drivers.
- Look out for motorcycles, bicycles, and pedestrians.
- Always use your running lights to increase your visibility to other traffic.
- Never drive under the influence of alcohol, drugs or any kind of medication that will affect your reflexes, comprehension and alertness.
- Never drive when you are tired. If you begin to fight sleep, switch drivers or, if you are alone, find a place to sleep until you are rested enough to go on. It is more important to arrive safe than on time.
- Never use cruise control on wet, icy roads, winding roads or when traversing mountainous territory.
- Be aware of your travel trailer's departure angle when entering or exiting driveways, parking lots, campgrounds or any other terrain where you must cross a ramp angle.
- Refer to the TRIBE website for specifications on your camper.



ADDITIONAL SAFETY INFORMATION



VEHICLE

- Using a vehicle with under-rated suspension can cause serious stability problems.
- Vehicle must be in good mechanical condition so that no additional strain is placed on the motor or transmission.
- Vehicle should have strong tiedown points for the camper so that the camper does not move while driving.
- Tires must be in great condition so that you have traction in all conditions.

REFRIGERATOR OR FREEZER

Using a Portable Fridge, Freezer, or Fridge-Freezer Combo with Your El Cap Thank you for choosing Tribe Trailers and our El Cap. This section will guide you on how to effectively utilize a portable fridge, freezer, or fridge-freezer combo with your camper.

1. Location for portable 12v Refrigeration

The EL Cap comes with a dedicated fridge/freezer section integrated into the camper. This section can be found directly to your right when walking inside the camper.



REFRIGERATOR OR FREEZER



2. Powering Your Fridge-Freezer:

Inside the camper, you'll find a 12-volt female plug located next to the passenger side seating area. This plug allows you to connect and power your fridge or freezer directly from the trailer's battery system.



3. Securing your Fridge-Freezer:

You will find two adjustable straps where your fridge will be located. Tightly secure those straps around your fridge then adjust tightness accordingly.



REFRIGERATOR OR FREEZER



4. Procuring Your Fridge-Freezer:

Please note that the fridge, freezer, or fridge-freezer combo is not included as a standard feature of the El Cap. You will need to purchase one separately to suit your preferences, budget, and specific camping needs.

There are several reputable brands available in the market, offering a range of options. We recommend selecting one that aligns with your requirements.

Ensure that the fridge-freezer you choose is compatible with a 12-volt power source. Before connecting, double-check that the trailer's battery system is adequately charged to power the fridge or freezer during your camping trip.

By following these steps, you'll be able to seamlessly integrate a portable fridge, freezer, or fridge-freezer combo into your El Cap camping experience.



SETTING UP YOUR BEDS



The inside of the camper is designed to sleep three adults and a small child in the middle of the main bed. There is also access to the Roof Top Tent from inside the camper.

1. Lift The Table to the open top position
2. Flip up the two side leg extensions
3. Place pillows on the leg extensions
4. Place pillows on the bottom bed.



Getting into the Roof Top Tent from the inside.

There is a hard compartment that is removable from the roof that will allow you to climb into the floor of the Roof Top Tent. Once you are in the tent you can place this back into position and it has a soft mattress top for comfort.



INTRODUCTION



Thank you for choosing Freucamp portable toilet! Freucamp portable toilet is easy to use, good quality, and as convenient as at home.





We recommend that you read the instructions before you use the product and save it for future reference.

SECURITY CONSIDERATIONS

Please read this manual carefully before installation and install it in strict accordance with this manual. After reading, please keep this manual for your future use

In order to avoid injury or property damage to users and others, please strictly observe the safety warnings and cautions.

• SYMBOLS AND MEANINGS

	Warning! Risk of causing serious injury or damage.
	Caution! Not follow instruction will lead to damage.
	This symbol indicates that this operation is forbidden.
	This symbol indicates related information.

Warning

1. A lighted cigarette or other incendiary object must not be put into the toilet or it may cause a fire.
2. It is strictly prohibited to disassemble, repair or modify the product, otherwise it may cause personal injury or fire.

Caution

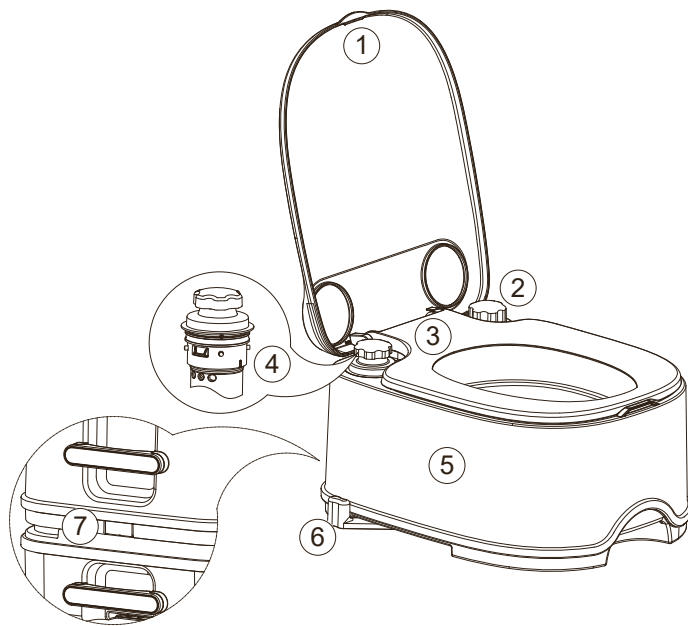
1. When using this product, do not lean back on the cover to avoid damaging the product.
2. Do not throw papertowel, paper urinal pad, sanitary towel and the other clogging articles into the toilet.
3. Do not stand on the seat, cover or toilet.
4. Do not use the toilet below 0°C. If the indoor temperature is lower than 0°C, make sure you completely drain the waste-holding tank, to prevent it from expanding and freezing.
5. If you are not going to use this product for an extended period time, ensure that drain the flush-water tank and the waste-holding tank.
6. Children shall not play with this product.



MAIN COMPONENTS



MAIN PARTS

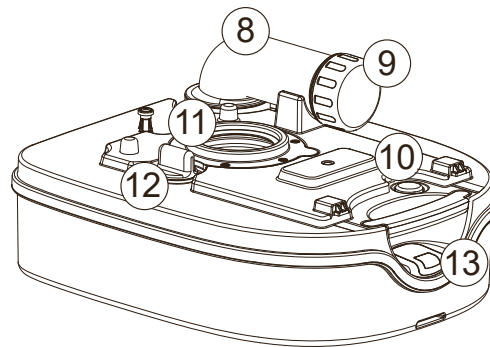


Flush-water tank

- 1 Cover
- 2 Water fill cap
- 3 Seat
- 4 Piston pump
- 5 Water tank
- 6 Blade handle
- 7 Push-button

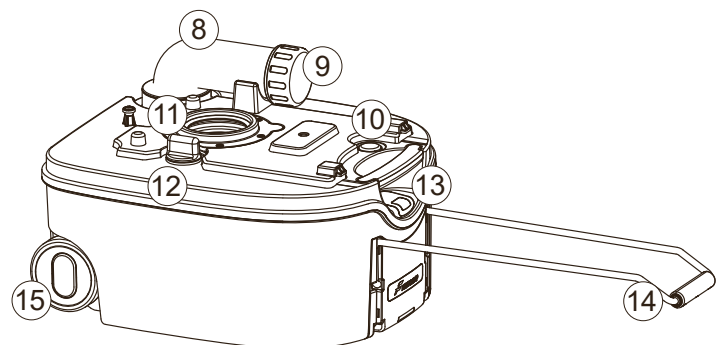
Waste-holding tank

W5002-S/W5002-L



W5002-S

- 8 Pour out spout
- 9 Cap
- 10 Vent button
- 11 Lip seal
- 12 Blade opener
- 13 Level indicator waste-holding tank
- 14 Pull handle
- 15 wheel



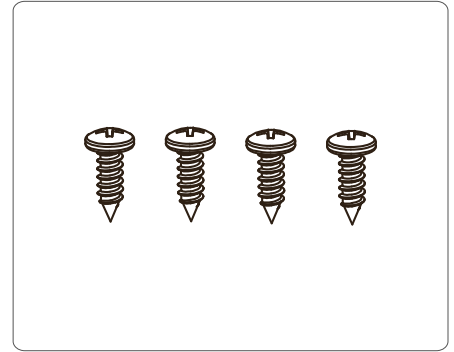
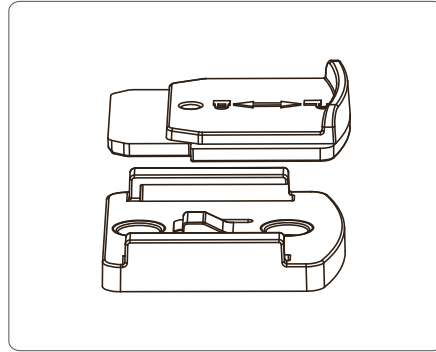
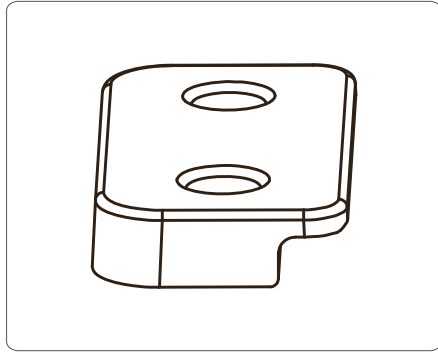
W5002-L



MAIN COMPONENTS

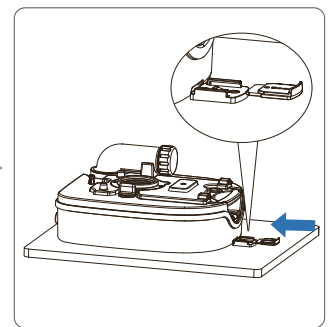
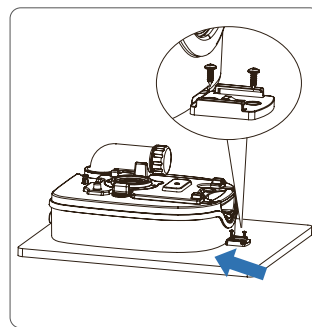
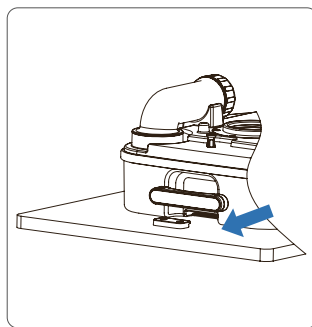
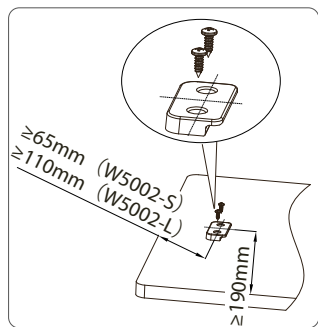


Optional extra for your toilet



Hold Down Kit Installation (If Applicable)

This allows you to attach the toilet to the floor, wherever you like.
One simple action releases.



Before Use

Your portable toilet is made up of two detachable sections: the flush-water tank and the waste-holding tank. Before using the toilet, it is vital that you add degradation liquid to both tanks. Refer the instructions on the degradation liquid package.



Never add toilet cleaner directly via the valve blade or via the toilet bowl as this could damage the gasket ring of the wasteholding tank. Only fill the waste-holding tank via the pour out spout.

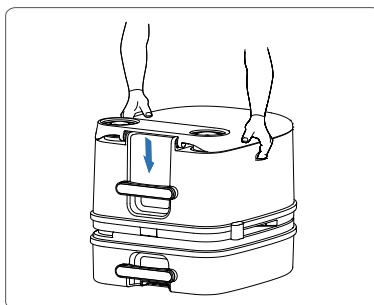
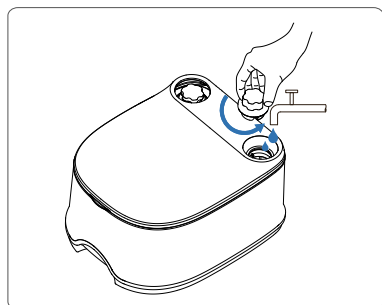


TOILET USE



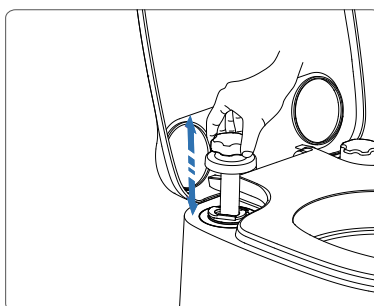
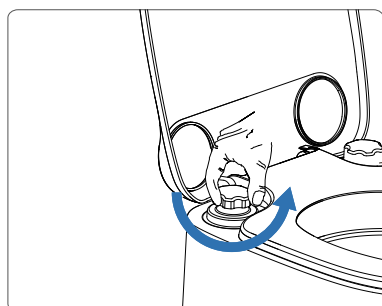
Prepare the flush-water tank

- Remove the water fill cap and fill the flush-water tank.
- Recombine tanks.



Flushing The Toilet

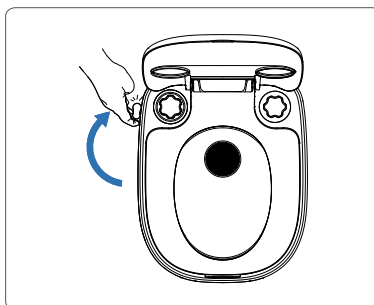
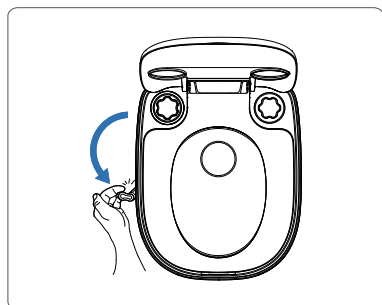
- Release the piston pump counterclockwise and press the piston pump for flush.
- After finish flushing, press the piston pump to the end and lock it clockwise.



i Please use soft toilet paper to prevent clogging and easily empty the waste-holding tank.

Opening The Blade

The toilet can be used with the blade open or closed. Open the blade by pulling the blade handle as described below.

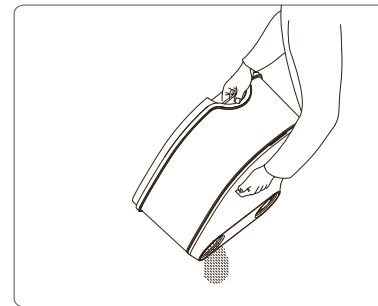
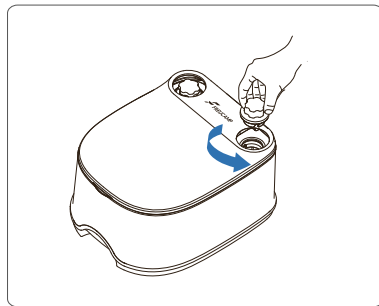
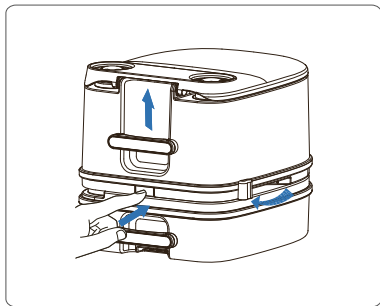


i Please use soft toilet paper to prevent clogging and easily empty the waste-holding tank.



EMPTYING THE FLUSH-WATER TANK

- Close the blade handle completely.
- Press the button to lift the flush-water tank up and separate them.
- Remove the water fill cap to empty the flush-water tank.



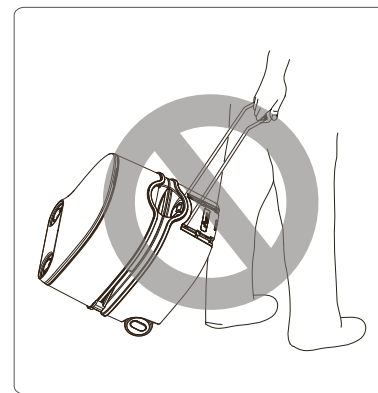
Make sure that the blade handle is closed completely before removing the flush-water tank. The "click" sound is in place.



Only empty the flush-water tank completely if you expect not to use your toilet for a long period. First empty the flush-water tank through the water fill opening, then flush the toilet until no more water is being pumped out. Emptying is only allowed at an authorized waste dump



W5002-L model: Do not drag the waste-holding tank and flush-water tank without separating.

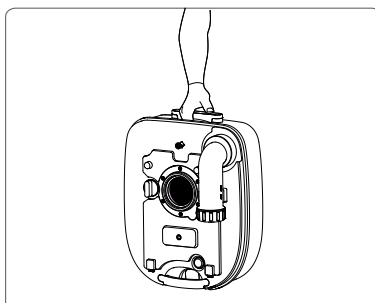


EMPTYING THE WASTE-HOLDING TANK

Waste-holding tank

You need to empty the waste-holding tank when the level indicator turns red. Separate the tanks. Take the waste-holding tank to an authorized waste disposal point, emptying the waste-holding tank through the pour out spout.

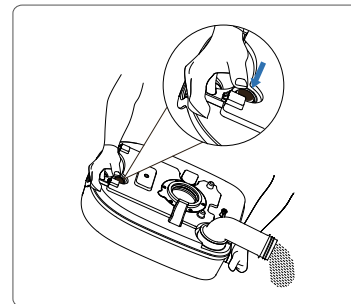
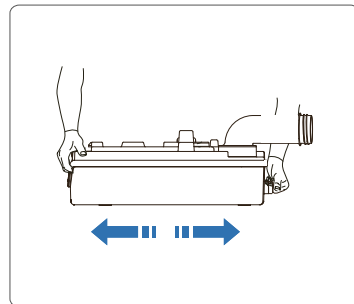
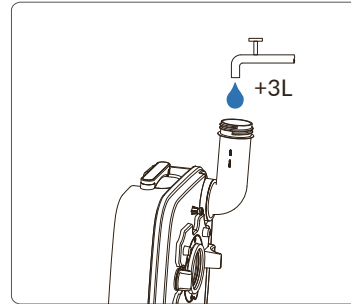
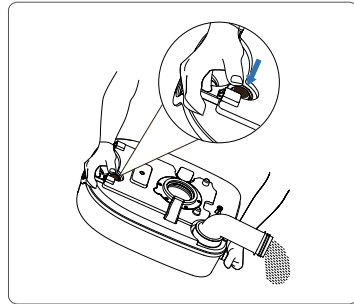
• W5002-S



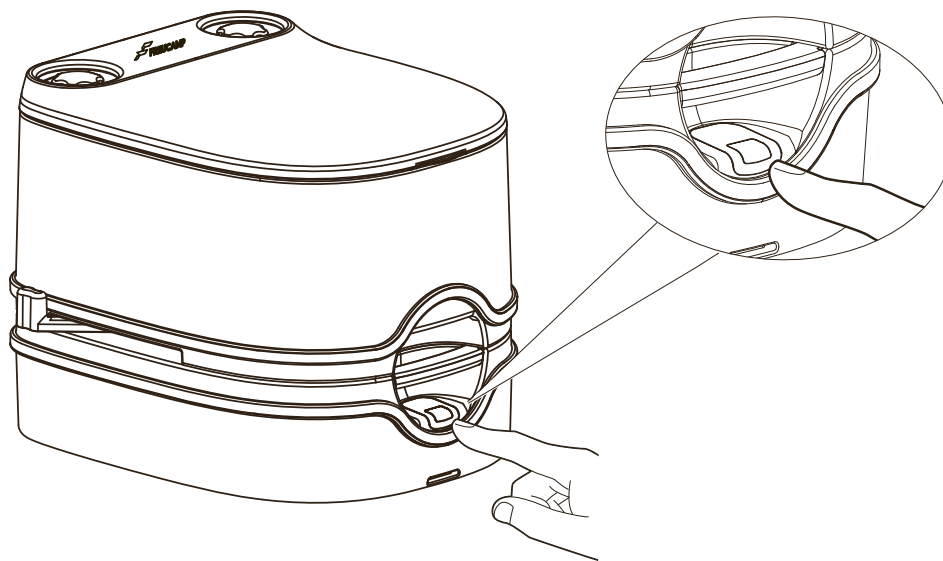
• W5002-L



EMPTYING THE WASTE-HOLDING TANK



i Press and hold the vent button with your thumb while the pour out spout is pointing downwards to empty the waste-holding tank without splashing.



! To prevent water damage to your caravan or motor home, emptying the waste-holding tank when the level indicator turns red before traveling.



MAINTENANCE AND CLEANING



1. Freucamp recommends cleaning the toilet regularly to prevent scale.

- Please wipe the dirty area with a wrung-out soft cloth.



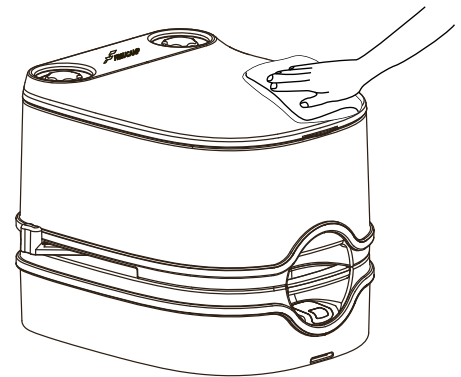
Never use household cleaners to clean the toilet. These may cause permanent damage to the gasket and the other components.



The blade gasket is a part of the toilet that is subjected to wear. Depending on the extent and manner of servicing, after a certain period the gasket will degrade and must be replaced.



Never use Vaseline or vegetable oil to lubricate the gasket. This may cause leakage to the waste-holding tank.

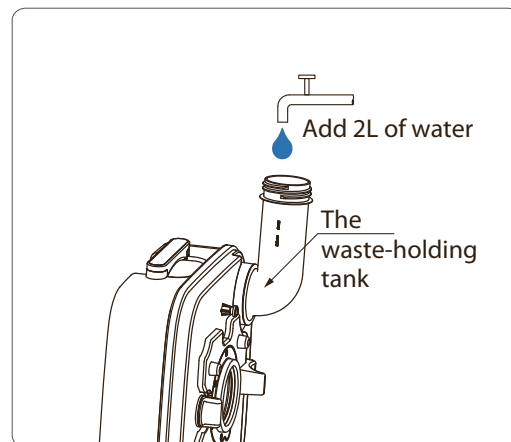
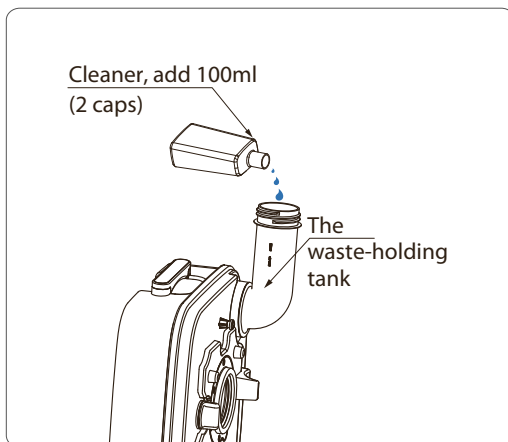


2. How to use Freucamp cleaner.

- Daily use of Freucamp cleaner on the waste-holding tank to achieve the effect of degradation paper, sterilization and deodorization.



Unscrew the plastic cap directly, add 2 caps (100ml) and 2L of water into the waste-holding tank.



MAINTENANCE AND CLEANING

WINTER USE

The portable toilet can be used even in cold weather as long as it is placed in a heated area. If there is no heating and there is a risk of frost, we recommend emptying the waste-holding tank and flush-water tank completely.

WHEN THIS PRODUCT IS LEFT UNUSED

If you expect not to use your toilet for a long period, thoroughly clean and dry the whole toilet. We recommend maintaining your toilet at the same time.

During storage, we recommend opening the blade to avoid damage and loosening the water fill cap to ventilate the flush-water tank.

DISPOSAL

Your product has been designed and manufactured with high quality materials and components, which can be recycled and reused. When your product has reached its life cycle, it is recommended that you dispose of the product according to the local rules. Do not dispose of the product as normal household waste. The correct disposal will help prevent potential negative consequences to the environment and human health.

TROUBLESHOOTING

SPARE PARTS

Original Freucamp spare parts are available through your own dealer or authorized Freucamp Service Centre.

MALFUNCTIONS	POSSIBLE REASONS	SOLUTIONS
Unable to separate tanks	Blade (partially) not closed	Fully close the blade
Unable to pull out the piston pump rod	Piston pump rod is not lifted	Release the piston pump counterclockwise
Level indicator waste-holding tank malfunction	The dirt blocks the float	Clean the waste-holding tank
Unpleasant smells	1. Blade is (partially) open after use 2. Not using Freucamp cleaner	1. Close the blade after use 2. Use Freucamp cleaner



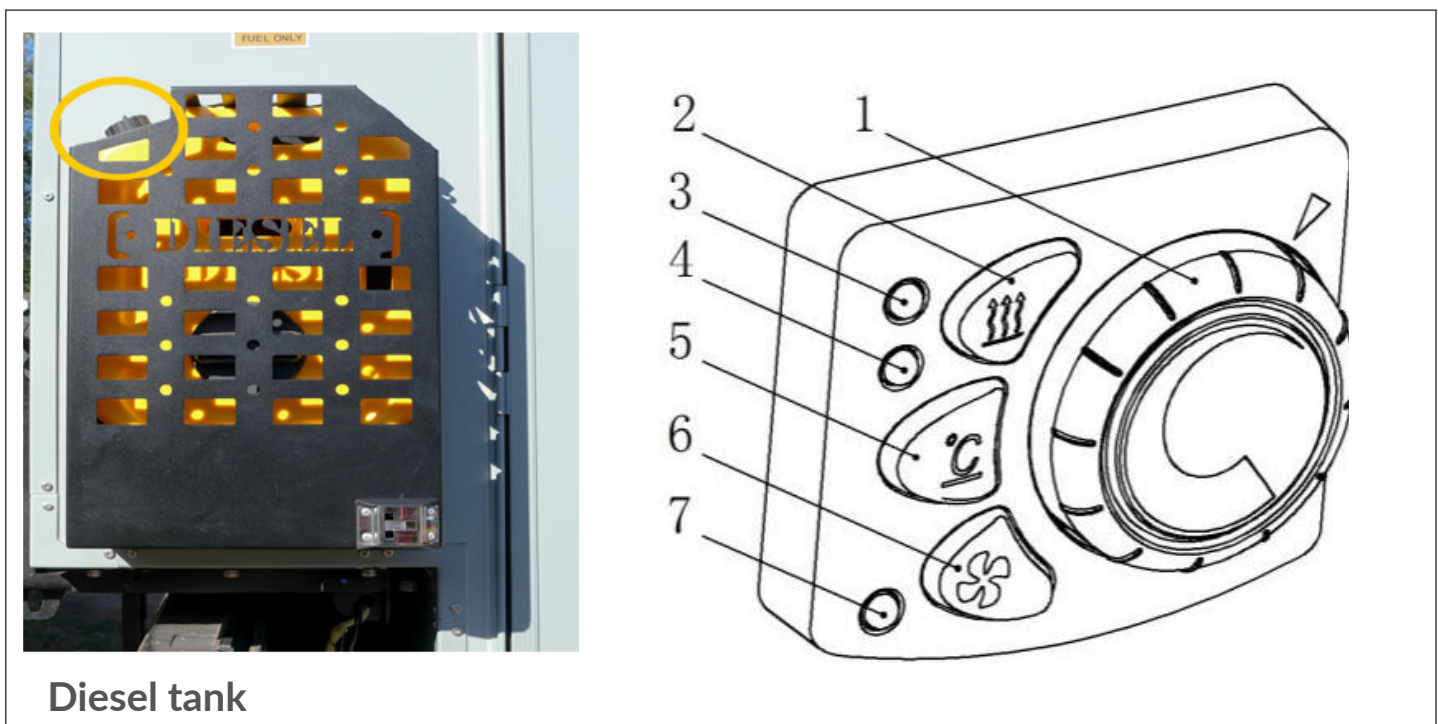
DIESEL HEATER



HOW TO USE THE DIESEL HEATER

Warning: During the first use of your diesel heater there may be air trapped inside. This can cause a loud popping noise to come from your diesel heater. If this does not dissipate after multiple uses please contact Tribe.

1. fill your diesel tank with diesel
2. turn your heater on via the top button (2) located on your control dial, the red light will appear (3) indicating that your heater is on
3. once you feel air start to come out of the black vent located by your feet, you can control the temperature of your heater by pressing the second button on the controller (5). once you press this button a yellow light will turn on (4) indicating that you can use the control knob (1) to either turn the temperature of the heater up or down.
4. if you would like to control the heaters intensity, you will first need to hit the 2nd button again (5) turning off the yellow indicator light (4). once the indicator light is off you can press the third button (6), a green light will appear (7) indicating that you can now control the intensity via the control knob (1).



Diesel tank

WARNING:

If you are planning to travel through a water crossing, ensure that the exhaust port of the Diesel heater is sealed. Failure to do so could cause damage to your diesel heater.



DIESEL HEATER



TO SWITCH TO A DIFFERENT MODE, PRESS THE CORRESPONDING UNLIT LIGHT.

When the heater is running, you can adjust the heating power and air temperature by turning the switch. In constant power mode, the room temperature or the temperature of the incoming heated air is continuously monitored.

In constant temperature mode, if the temperature exceeds the set value on the control, the heater will enter intermittent mode. In this mode, the fan will run for about 3 minutes to cool down before restarting.

To turn off the heater, press the button with the corresponding indicator light. The indicator light will go out, and the fuel pump will stop. The fan will continue to run and cool down for approximately 3 minutes during the shutdown process.

FOR SAFETY REASONS, if the heater fails to ignite within 90 seconds after the fuel pump starts, it will make another attempt. If it still doesn't ignite after an additional 90 seconds of pumping fuel, the heater will shut down. The fuel supply will be cut off, and the fan will continue to run for about 3 minutes.

If the flame extinguishes on its own during operation, the heater will restart. If the heater fails to ignite within 90 seconds after the fuel pump starts, or if it ignites and then goes out within 15 minutes, the heater will shut down. The fuel supply will be cut off, and the fan will run for about 3 minutes. This situation can be resolved by briefly turning the heater off and on again. Avoid repeating this process more than twice.

In case of overheating, the combined sensor (flame sensor/overheating sensor) will trigger, cutting off the fuel supply and shutting down the heater. Once the cause of the overheating has been addressed, you can restart the heater by turning it off and on again.

If the voltage falls below or rises above the specified limits, the heater will shut off after 20 seconds. The heater will not start if the glow plug is faulty or if there is an interruption in the electrical connection to the dosing pump.

If the combined sensor (flame sensor/overheating sensor) is faulty or if there is an electrical interruption, the heater will start and then shut down during the startup phase.

The fan motor's speed is continuously monitored. If the fan motor fails to start or if the speed deviates by more than 10%, the heater will shut off after 30 seconds.

When the heater is turned off, the glow plug will remain on for 40 seconds (after-glow) while the fan continues to run to clear any combustion residues.

Note

If there is excessive residual heat in the heat exchanger from the previous use of the heater, the fan will start first, blowing cold air. Once the residual heat has dissipated, the heater will kick in. After approximately 65 seconds, the fuel supply will begin, and the fuel/air mixture in the combustion chamber will ignite. When the combined sensor (flame sensor) detects the flame, the glow plug will be turned off after 60 seconds. The heater is now in standard operation.



DIESEL HEATER



TROUBLESHOOTING

Circuit issues can arise from various factors, such as connector corrosion, poor connector contact, incorrect wire connections, wire or fuse corrosion, and battery pole corrosion and looseness. It's important for users to inspect and address these issues to ensure proper maintenance.

The heater's troubles can be indicated by the green LED on the control switch. In a trouble state, the indicator light will flash in a circular pattern, with each cycle consisting of a 2-second pause followed by a few instances of slow flashes lasting 0.5 seconds each. Between two long pauses, the number of slow flashes indicates the type of trouble.

During operation, the heater may experience difficulty starting or may shut down after starting. This can lead to a locked state. In such a situation, press the illuminated button. The operational indicator will go out. Turn off the heater and leave it in this state for at least 5 seconds, then restart the heater.

For the following issues, users can take the following measures:

If the heater fails to power on and the indicator light doesn't illuminate, the cause may be a fuse circuit break or incorrect wire connections.

If the heater runs without starting the heating process after being powered on, it suggests that the inlet air temperature (or the ambient temperature around the external temperature sensor) is higher than the set heating temperature, also known as a "hot start." In this case, turn the control switch knob clockwise to set a higher temperature.

When the LED flashes once, refer to the methods listed in the table below for troubleshooting solutions.

Times of LED flashes	Troubleshooting methods
1	a. Check whether the fuel pipe is blocked or whether the fuel in the tank is sufficient. b. Check whether the exhaust pipe is blocked. c. Check whether fuel mass is appropriate.
2	A,B,C same as above d. Replace the fuel pump
3	a. Abnormal voltage, if the voltage is very low, then the battery should be charged.
4	a. Temperature may be too high, use ventilation mode b. Or replace controller.
6	a. Replace controller
7	a. Check whether fuel pump lead connection is properly connected. b. Replace fuel pump; Replace controller.
8	a. Check the fan wheel for any damages. b. Replace fan motor assembly. c Replace controller.
9	a. Clean the carbon deposition of glow plug. b. Replace glow plug. c Replace controller.
10	a. Check whether air inlet and outlet are blocked. b. Check that junction box cover tightly. c. Check whether inlet air and exhaust air short circuit.
11	a. Check overheat sensor (normal temperature resistance is about 1kΩ). b. Replace overheat sensor.
12	a. Check control switch connection. b. Replace control switch.
13	a. Need to clean up the carbon deposition and maintenance work.



DIESEL HEATER



SEASONAL MAINTENANCE

Before the start of each heating season, it is advised to have qualified professionals conduct maintenance. The details are as follows:

- Inspect the air inlet and outlet for any signs of pollution or foreign objects.
- Clean the exterior of the heater.
- Check for corrosion or loose connections in the electrical contacts.
- Examine the air inlet and exhaust pipes for any obstructions or damage.
- Verify if there are any fuel pipe leaks.

EXTENDED PERIODS OF NON-USE

If the heater will not be in operation for an extended period, it's recommended to run it at least once every four weeks for a minimum of 10 minutes. This helps prevent mechanical parts from malfunctioning.

Keep the air inlet port and outlet vent clear of obstructions to ensure smooth airflow and prevent overheating.

When switching to a lower-temperature fuel, run the heater for a minimum of 15 minutes to allow the new fuel to fill the fuel pipe and pump.

SERVICE LIFE

The heat exchanger of the heater has a maximum operational lifespan of 10 years. Once it reaches this limit, it must be replaced with a qualified unit. This replacement work should be carried out by the heater manufacturer or its authorized representative. Additionally, the overheating sensor must also be replaced at this time. If the exhaust pipe for waste gas discharge is located in a passenger area, it should be replaced with a qualified one after 10 years of use.

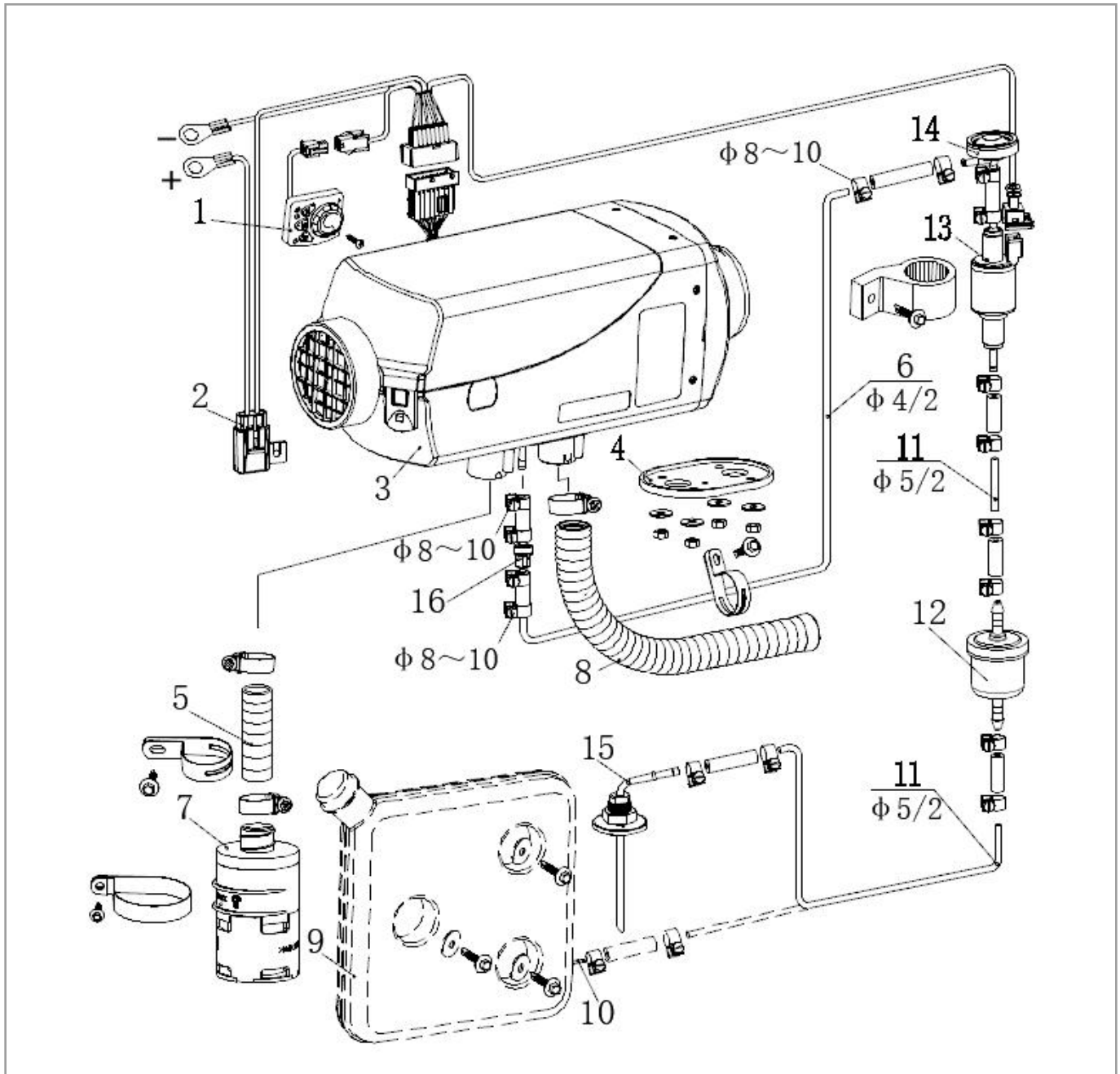
OTHER IMPORTANT CONSIDERATIONS

The ambient temperature during transport and storage of the heater should be within the range of -40°C to 85°C to prevent any damage.

Only authorized customer service stations are permitted to perform repairs and installations for the heater. It is strictly advised against attempting self-repairs or using non-manufacturer parts or components to ensure safety.



DIESEL HEATER



- 1- Control switch 2-Cable harness 3- Heater 4- Gasket 5- Air inlet pipe
- 6- Fuel pipe 7- Air inlet filter (optional) 8- Exhaust pipe 9-Tank (optional)
- 10- Tubing joint (optional) 11- Fuel pipe 12- Filter 13-- Fuel pump
- 14- Damper 15- Fuel suction pipe 16- Non-return valve



LEG JACK



TRUCK CAMPER LEGS: HAPPIJAC CAMPER JACKS (MANUAL VERSION)

RAISING AND LOWERING THE JACKS UNLOCKING THE JACK:

Begin by switching the jack's lock lever to the unlocked position. Push the lever down to do this.

USING THE CRANK HANDLE:

Insert the provided crank handle into the jack.

Turn clockwise to lower the camper.

Turn counterclockwise to raise the camper.

Note: Ensure the legs remain in contact with the ground at all times during operation.

USING A DRILL (OPTIONAL):

Alternatively, a drill with the supplied bit adapter can be used to raise or lower the jacks.

Maintenance Guidelines

FREQUENT CHECKS:

Regularly inspect all mounting screws and hardware for tightness and ensure proper jack alignment.

EVERY 6 MONTHS:

Apply automotive wax to the mounting brackets and both inner and outer tubes of the jack legs. This provides corrosion protection and acts as a dry lubricant on the inner leg, enhancing jack performance.

STORAGE CONSIDERATIONS:

Exercise extreme caution in windy conditions. Avoid storing the camper in windy, unsheltered areas and prevent snow accumulation on the camper roof.

Secure the camper with tie downs when stored outdoors.

Ensure the camper is supported on a sturdy base during storage to prevent damage to the camper floor and wing walls.

Important Safety Notes

LEVELING WITH THE CAMPER ON THE TRUCK:

REMOVE TIEDOWNS. The jacks are not designed to lift both the camper and the truck simultaneously. Overloading the jacks can result in property damage and/or personal injury or death.

STORAGE HEIGHT:

When the camper is being supported (stored) on the jacks alone (except during loading and unloading), it should be stored as close to the ground as possible to provide maximum lateral stability. Use the least possible jack extension.

After periods of non-use, or anytime jack seems to labor more than usual, remove dust cap and place a few drops of light oil, such as 3 in 1R into the oil hole in the crank socket. Alternatively, wrap a rag around socket to catch overspray and use a light spray lubricant such as silicone sprayed liberally around the crank socket. Wipe away overspray. Run the jack to distribute the lubricant. Spray Here Keep dust caps on anytime crank is not installed.



MAGNETIC WALL



your truck camper is equipped with an innovative magnetic wall feature, designed to enhance your kitchen area's functionality and organization. This section provides detailed information on how to utilize and maintain this unique component.

LOCATING THE MAGNETIC WALL:

Standing at the cooking counter, the magnetic wall is directly to your left. This specially designed surface is engineered to hold a variety of magnetic accessories, adding convenience and efficiency to your culinary experiences.

UTILIZING THE MAGNETIC WALL:

The magnetic wall offers a versatile platform for a range of accessories that can be purchased separately. These include, but are not limited to, items like spice racks, paper towel holders, and other magnetic-compatible tools. By attaching these accessories to the magnetic wall, you can keep your cooking essentials within arm's reach, optimizing your workspace and minimizing clutter.

IMPORTANT CONSIDERATIONS:

AVOID DRILLING:

CAUTION: Drilling through the magnetic wall may cause damage to the steel sheet behind it. We strongly advise against attempting to make any holes in this surface. If you require additional support or fixtures, please consider alternative mounting solutions that do not involve drilling.

ACCESSORY COMPATIBILITY:

Ensure that any magnetic accessories you intend to use are compatible with the magnetic wall's strength. If you are uncertain, please refer to the accessory's specifications or consult with our customer support team for guidance.

MAINTENANCE AND CLEANING:

To maintain the effectiveness of the magnetic wall, periodically remove and clean the surface with a non-abrasive, mild cleaning solution. Wipe dry after cleaning to prevent any potential corrosion.

WEIGHT LIMITATION:

Be mindful of the weight of accessories you attach to the magnetic wall. Exceeding recommended weight limits may compromise its magnetic strength and could potentially lead to detachment.



PASS THROUGH COMPARTMENT



PASS-THROUGH STORAGE COMPARTMENT

Location: The pass-through storage compartment is situated on the passenger side of the truck camper.

Accessing the Compartment:

To open the storage compartment, follow these steps:

1. Locate the two latches on the compartment door.
2. Twist both latches to unlock the compartment door.
3. Gently open the compartment door.

CONTENTS:

Inside the compartment, you will find a dedicated section designed to securely store your truck camper's ladder. Additionally, there is ample room for storing other items according to your preferences.

CONVENIENCE AND ACCESSIBILITY:

This compartment is intelligently designed to be accessible from both outside and inside the camper. This feature allows you to conveniently store and retrieve items whether you're inside the camper or outside.

MAINTENANCE TIPS:

To ensure the longevity and functionality of the storage compartment, please adhere to the following maintenance guidelines:

Weight Distribution: Avoid overloading the compartment. When storing heavy items, ensure they are properly distributed and securely hung from the storage doors. This prevents undue stress on the hinges, which could lead to potential damage.

Hinge Lubrication: Every six months, apply a high-quality lubricant to the hinges. This step helps maintain smooth operation and prevents premature wear.

Seal Inspection: Regularly check the seals around the door for any signs of wear, damage, or deterioration. Promptly replace any compromised seals to maintain a weather-tight seal.

Cleaning Recommendations: Do not use harsh chemicals when cleaning this storage area. Instead, use mild, nonabrasive cleaners to ensure the integrity of the compartment's materials.

Pass Through Location



Tent Ladder Location



PROPANE COMPARTMENT



PROPANE COMPARTMENT OVERVIEW:

Located on the passenger side of your camper, the propane compartment is designed to securely hold two 5-pound propane tanks. This compartment is equipped with latches to ensure the tanks are safely in place during travel.

PROPANE LINES:

Inside the compartment, you'll find two braided propane lines, each corresponding to one tank. These lines are pre-plumbed to provide propane to different parts of your camper. Always check the lines for cuts and leaks visually as well as with soapy water on all connections when propane is in use.

CONNECTING THE PROPANE LINES:

INSIDE THE CAMPER:

Lift the false top of the kitchen counter to reveal a hidden compartment. Inside, you'll find the other end of the propane line, ready to be connected to your stove top.

OUTSIDE THE CAMPER:

Locate the outdoor drawer to the right of the front door when facing the entrance. Open the drawer and extend it outwards to access the interior. At the back of the drawer, you'll find a hole where the propane line is fed through.

USING THE STOVE INSIDE:

If you are using a stove inside the camper, please follow these safety protocols.

ENSURE ADEQUATE VENTILATION:

Open windows and ensure vents are functioning properly to allow fresh air circulation.

USE STOVE IN WELL-VENTILATED AREAS:

Avoid using the stove in enclosed or confined spaces for an extended period of time.

CARBON MONOXIDE DETECTOR:

For your safety, it is essential to have a functioning carbon monoxide detector inside the camper at all times. Regularly check the detector to ensure it is in working order.

SHUTTING OFF PROPANE TANKS:

When not in use, it's crucial to completely shut off and disconnect the propane tanks from the propane lines. This step ensures safety and prevents any potential gas leaks.

IMPORTANT SAFETY INFORMATION:

Always ensure propane tanks are securely latched in the compartment before driving and OFF. Check for any signs of wear or damage to the propane lines. If any issues are found, contact a qualified technician for inspection and repair. Keep the propane compartment clean and free from debris. Store propane tanks in an upright position and always turn OFF.



PROPANE COMPARTMENT



MAINTENANCE TIPS:

Regular maintenance helps ensure the safe and efficient operation of your propane system:

Inspect propane lines and connections for leaks or damage.

Replace any worn or damaged components promptly.

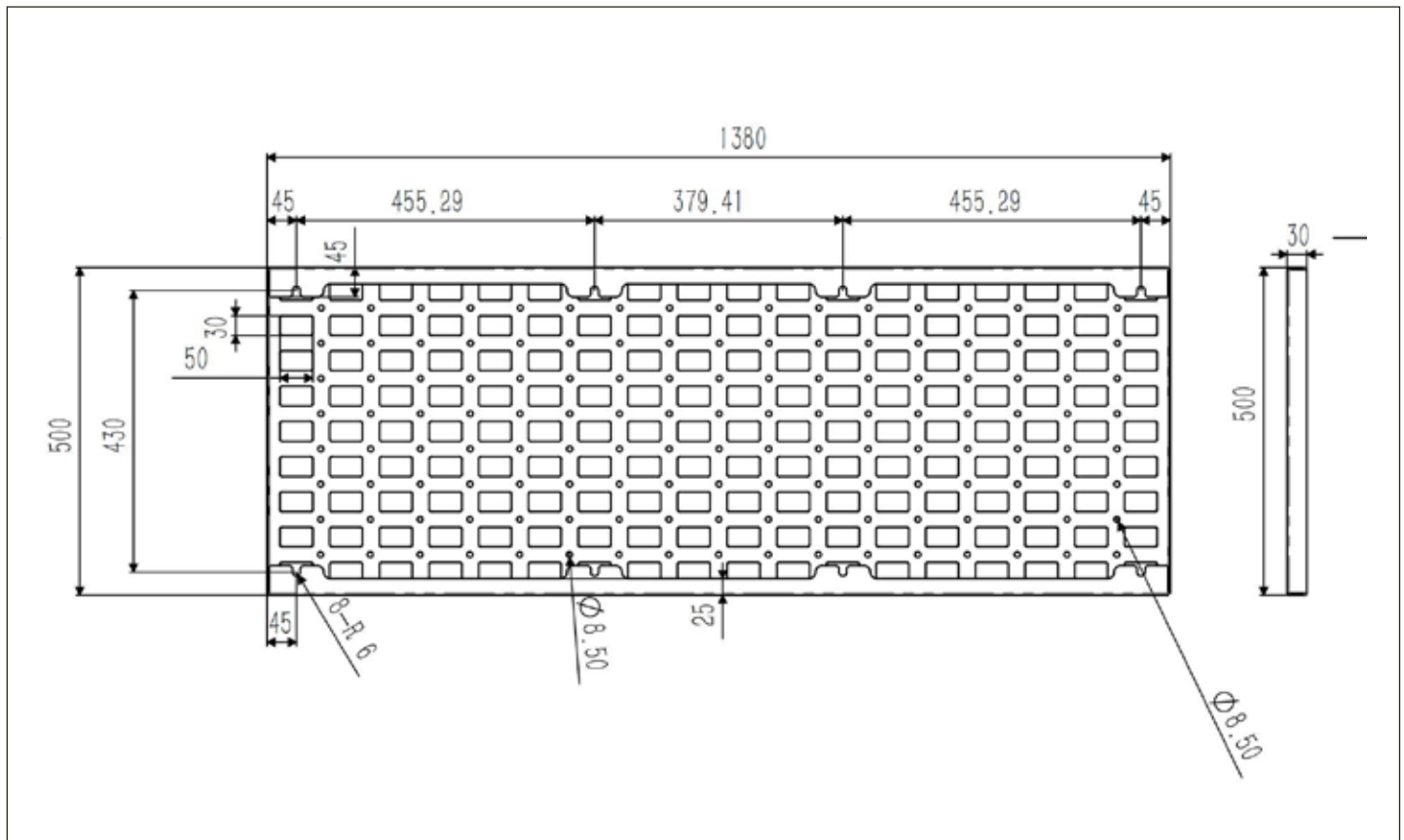
Schedule professional inspections as recommended in your camper's manual.

FINAL NOTE:

Your safety is our priority. please refer to the Cautions & Warnings section of this manual before using any propane appliances or tanks inside your camper. If you have any questions or concerns about your propane system, please don't hesitate to reach out to our customer support team.

MOLLE (pronounced "Molly") stands for Modular Lightweight Load-carrying Equipment. It's a system used by military personnel and outdoor enthusiasts for attaching and carrying gear on backpacks, vests, and other equipment. MOLLE consists of a grid of webbing that allows users to securely attach pouches, accessories, and equipment using specialized straps and clips. This system provides flexibility and customization for carrying various types of gear in different configurations.

our Molle systems measurement are shown below, measured in Millimeters.



FILLING, CLEANING, AND STORING WATER CONTAINERS

WATER JUG CARE AND MAINTENANCE

FILLING THE WATER JUGS: SELECT A CLEAN WATER SOURCE: Ensure that the water source is safe and potable. Avoid using water from unknown or potentially contaminated sources.

CLEAN HANDS AND EQUIPMENT: Wash your hands thoroughly with soap and water before handling the water jugs or any associated equipment.

POSITION THE JUG: Place the water jug on a flat, stable surface.

USE A CLEAN FUNNEL (IF NECESSARY): If using a funnel to fill the jug, ensure it is clean and sanitized.

FILL THE JUG: Slowly pour water into the jug, avoiding spillage or splashing.

SECURE THE CAP: Ensure the cap is tightly secured to prevent leaks during transportation.

CLEANING THE WATER JUGS: MATERIALS NEEDED: Mild soap or dish detergent, warm water, a bottle brush or sponge, and a cleaning cloth.

EMPTY AND RINSE: Empty any remaining water from the jug and rinse it thoroughly with clean water.

PREPARE THE CLEANING SOLUTION: Mix a small amount of mild soap or dish detergent with warm water.

SCRUB THE INTERIOR: Using a bottle brush or sponge, scrub the interior of the jug, paying special attention to the bottom and corners.

RINSE THOROUGHLY: Rinse the jug with clean, warm water to remove any soap residue.

SANITIZE (IF DESIRED): Optionally, you can use a food-safe sanitizer to further disinfect the jug. Follow the manufacturer's instructions for proper dilution and contact time.

DRY COMPLETELY: Allow the jug to air dry completely before storing.

STORING THE WATER JUGS: CHOOSE A CLEAN STORAGE AREA: Select a cool, dry location away from direct sunlight.

ALLOW VENTILATION: Do not seal the jug completely; leave the cap slightly ajar to allow air circulation and prevent mold growth.

INSPECT REGULARLY: Periodically check the water jug for signs of contamination, and repeat the cleaning process if necessary.

REPLACE WHEN NECESSARY: If you notice any signs of deterioration, discoloration, or unpleasant odors, it may be time to replace the water jug.



SOLAR PANELS



CLEANING:

REGULAR CLEANING:

Clean the surface of the panels regularly to remove dirt, dust, bird droppings, and other debris. Use a soft cloth or sponge with mild soap and water. Avoid abrasive materials or harsh chemicals that could damage the surface.

AVOID SCRATCHES:

Be gentle when cleaning to avoid scratching the surface. Use a non-abrasive cloth or sponge.

RINSE THOROUGHLY:

After washing, rinse the panels thoroughly to remove any soap residue.

AVOID SHADOWS AND OBSTRUCTIONS:

Ensure that the panels are placed in an area where they receive maximum sunlight without any shadows or obstructions. Even a small shadow can significantly reduce the efficiency of the panel.

INSPECT FOR DAMAGE:

Periodically inspect the panels for any signs of damage, such as cracks, tears, or exposed wiring. If you notice any issues, address them promptly.

POTENTIAL RISKS FOR SOLAR PANELS

EXCESSIVE BENDING OR FLEXING:

While flexible solar panels are designed to be flexible, excessive bending or flexing, especially along the edges or corners, can damage the internal wiring and reduce efficiency.



SOLAR PANELS



SHARP OBJECTS AND ABRASIONS:

Sharp objects or abrasive materials can scratch or puncture the surface of the panels, which can lead to reduced efficiency and potential electrical issues.

HIGH TEMPERATURES:

Prolonged exposure to high temperatures can lead to degradation of the materials and reduced efficiency. It's important to avoid placing the panels in locations where they might be exposed to extreme heat.

FREEZING CONDITIONS:

Extreme cold can also be detrimental to flexible solar panels. Ice formation or extremely low temperatures can lead to structural damage or other issues.

EXCESSIVE MOISTURE OR WATER EXPOSURE:

While most flexible solar panels are designed to be weather-resistant, prolonged exposure to moisture, such as heavy rainfall or submersion in water, can lead to electrical issues and reduced performance.

PHYSICAL IMPACT OR PRESSURE:

Physical impacts, such as being stepped on or hit with a heavy object, can cause damage to the surface, internal wiring, or other components of the panels.

HARSH CHEMICALS:

Using harsh chemicals or solvents for cleaning can cause damage to the surface of the panels. It's important to use mild soap and water or other non-abrasive cleaning solutions.

DIRT AND DEBRIS BUILDUP:

Accumulation of dirt, dust, bird droppings, or other debris on the surface of the panels can reduce their efficiency. Regular cleaning is essential to maintain optimal performance.



PORTABLE POWER STATION

User Manual



Thank you very much for purchasing 1200W power station. Be sure to read this manual carefully before using the product in order to use the product correctly. This manual is needed for product after-sales service. Please keep this manual together with the invoice and other purchase certificates.

In order to ensure the safety of this product during transportation, this product is only charged about 30% when it is packaged. Please recharge when you get the product.

The product can be charged directly by the wall socket, please do not use extension cords and cable taps. When the product is charging, do not plug other products in the same socket.





Warning

Avoid using the product in places that are extremely hot, humid, or exposed to direct sunlight or near a fireplace.

Do not attempt to disassemble or alter the product. This can lead to malfunctions or even a fire hazard.

Dispose of or recycle the product in accordance with local regulations.

Take care not to drop the product from a height or subject it to a strong impact.

Store the product in a location where it is out of reach of children.

Use only accessories provided by our company. Repairs for damages caused by non-genuine accessories may not be covered.

Allow approximately 30cm of space around the side vents to ensure proper heat dissipation.

When not in use, power down the product and unplug it. Avoid storing it in areas with high temperatures, direct sunlight, or high humidity.

For long-term storage, discharge the battery completely every 3 months and then recharge it to about 50%.

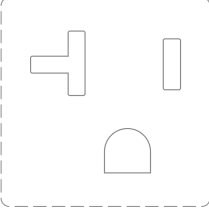
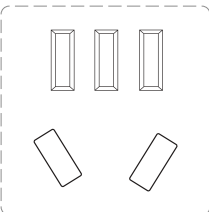
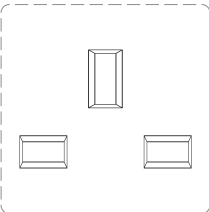
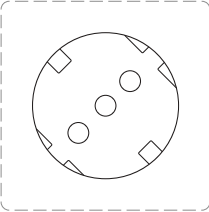
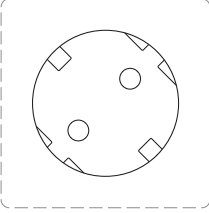
Do not use the product, its cables, or connectors if any defects are observed.

Avoid storing the product in locations with extreme temperatures, such as inside a car or a warehouse, for extended periods, as this may shorten the battery lifespan.



AC OUTPUT PARAMETER



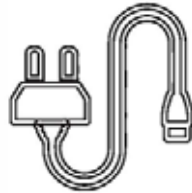
TYPE OF AC PORT	AC OUTPUT
 US/JP	100V~ 120V 50/60Hz
 CH	220V50Hz
 UK	230V50Hz
 EU	220V~ 240V 50 Hz
 KR	220V60Hz



PACKING LIST



POWER STATION



AC CHARGER



Introducing our 1248Wh high-capacity portable energy storage power supply, delivering a robust 1200W of power. This unit features a LiFePo4 battery, known for its high safety performance.

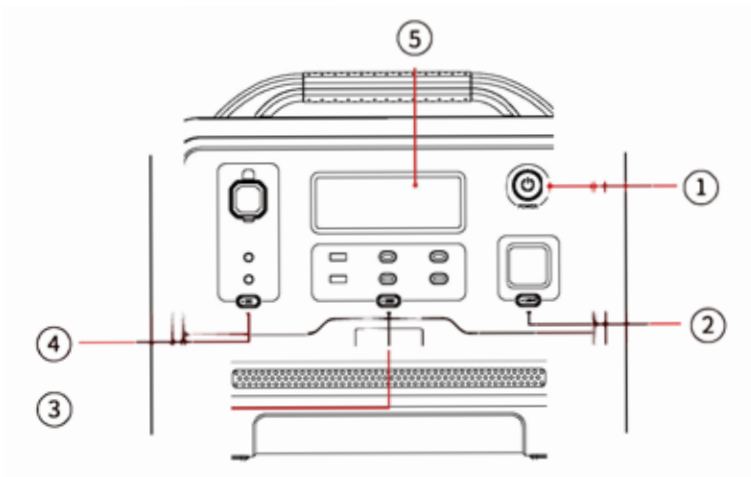
It serves as an invaluable backup during emergencies, power outages, camping trips, and while on the road. Additionally, it empowers various electric tools.

With a 1200W pure sine wave AC output, it can run household appliances like dryers, microwave ovens, refrigerators, and highpowered induction cookers. Moreover, it accommodates electronic devices such as personal computers.

Thanks to its 700W ultra-fast charging capability, this model achieves a full charge in just 2 hours. The AC input/output voltage frequency can be seamlessly switched between 50Hz and 60Hz, either automatically or manually. Furthermore, it supports a maximum 500W solar charge, ensuring you stay charged even during power cuts or outdoor adventures.



PACKING LIST



- ① Main power control
- ② Light control
- ③ USB control
- ④ DC control
- ⑤ LCD display

- ⑥ Air intake/outlet
- ⑦ AC on/off control(50Hz/60Hz switching control)
- ⑧ Anderson input port(for solar panel)
- ⑨ AC input port
- ⑩ Overload protection



01. MAIN POWER CONTROL

Main Control for the whole system turn on/of. Operate method: Hold down the button for 3s to turn on/off the the system.

02. LED LIGHT CONTROL

Operate method:quickly press to turn on and change the light mode (SOS/Flash).

Notice: you can turn off the light by Holding the button for 1-2s in any mode.

03. USB BUTTON

Operate method: press to turn on/off.


USB-A×2
5V/2.4A


TYPE-C×1
PD-100W


TYPE-C×3
PD-20W





PACKING LIST



04. DC BUTTON

Operate method: press to turn on/off.

 Output x2 12V/3A	 Cigar Lighter x1 12V/10A
--	--

05. LCD DISPLAY

Present the remaining power and using data.

06. COOLING SYSTEM

When the fans are working, please don't block the channel.

07. COOLING SYSTEM

Operate method: press to turn on/off.

Notice:

1. Please confirm the output voltage or frequency before using
2. Hold down the button for 2s to enter the frequency changing mode, 50Hz and 60Hz will blink in the display, press the button again to chose the right frequency, wait till the frequency stops blinking, then you will get the frequency you want.
3. Quick press the button 10 times to switch the voltage from 100V to 110V.

08. SOLAR PANEL INPUT

Use the included Anderson → MC4 conversion cable to connect the solar panel.

1. Solar panels can have a maximum input of 500W and a maximum voltage of 50V.
2. If exceeding the maximum voltage leads to equipment damage, it is beyond the scope of warranty.



PACKING LIST



09. AC INPUT

Use a wall socket to get 700W fast charging, which can fully charge battery in 2 hours.

* The product can be charged directly into a wall socket, please do not use extension cords and cable taps. When the product is charging, do not plug other products into the same socket.

* Please do not plug several devices into a extension socket at once, the current will overload and damage the cable while creating a fire risk.

* Do not use the same socket to connect other devices when charging this product. When the same wiring in a general household exceeds 1500W, The safety circuit breaker will be activated.

10. OVERLOAD PROTECTOR

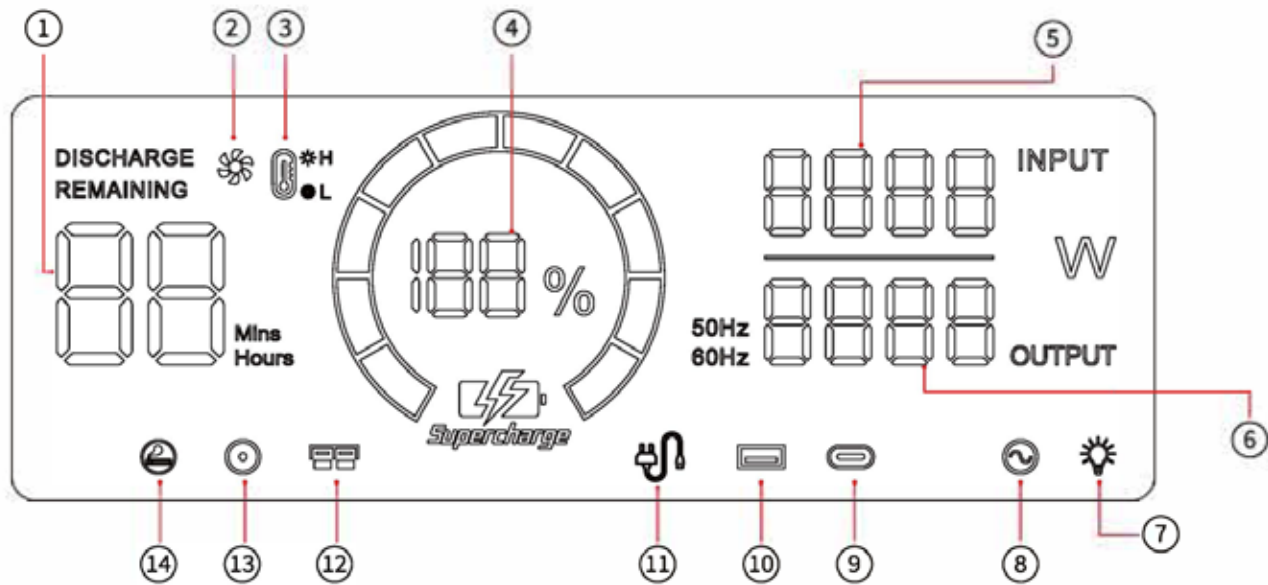
To protect this product, an overload protector is added. This is added to prevent damage to the product caused by excessive AC input or grid fluctuations. When such a situation occurs, the overload protector will cut off the AC input to protect the product

Restore the AC input function of the product in the following sequence.

1. Turn off the power button and unplug all ports.
2. After confirming that all parts are as intended, turn on the power button.
3. Press the overload protection button to switch on the AC line to restore AC input.







DISPLAY ICON INTRODUCTION



- | | | | |
|-------------------------------------|------------------------|-----------------------|--------------------------|
| 01. Charging/using time | 05. Total input power | 09. Type-c output | 13. DC output |
| 02. Fan state | 06. Total output power | 10. USB output | 14. Cigar lighter output |
| 03. High/low temperature protection | 07. LED light | 11. AC charging | |
| 04. Power percentage | 08. AC output | 12. Anderson charging | |

DISPLAY ATTENTION

-  When this icon light up. Please keep Air intake/outlet unobstructed.
-  When this icon light up. Please note the device is now with high/low temperature and will possibly stop working till the temperature returns to normal standard.
-  When this icon is blinking, represent that the AC input is fault, please recheck(Power/Hz/cable).
-  When the icon is blinking, represent the output is fault, please recheck.



UPS MODE



● UPS FUNCTION:

This product offers a bypass mode, which means it can deliver power directly from the AC without relying on the battery.

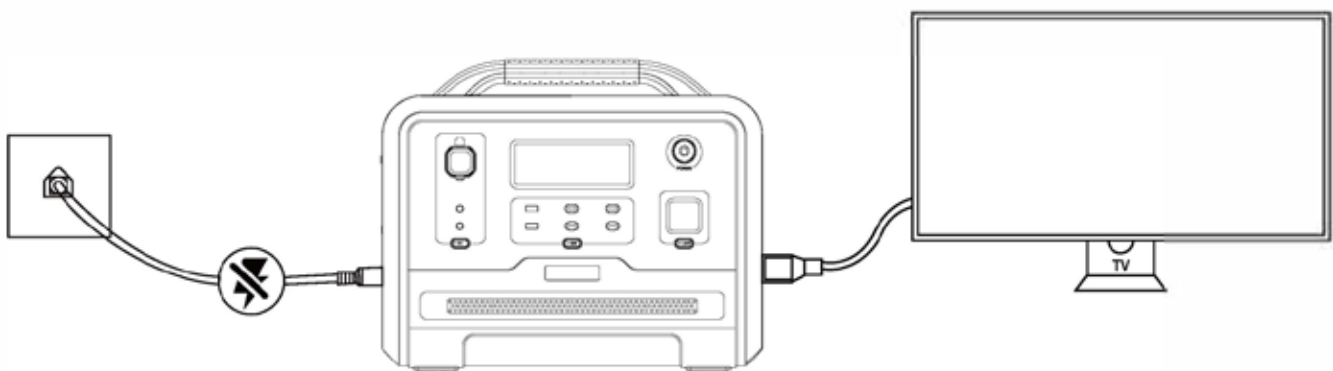
In UPS mode, if there's a power outage and the AC input from the mains is disrupted, the product swiftly switches to battery power in just 10 milliseconds to maintain a continuous AC output.

● UPS CONNECTIONS:

Refer to the illustration below. Connect the product between the wall socket and your electrical appliances, ensuring the product is switched ON. When you power up your appliances, they will draw directly from the grid's AC power.

In this configuration, if the grid power is suddenly interrupted, the product seamlessly transitions to its internal battery to keep the power flowing.

* In UPS mode in the United States, the maximum power output of AC is below 1100W, and the AC output exceeds 1100W. The AC output icon "⚡" will blink indicating overload.



SOLAR PANEL CONNECTION



Our products can be connected to solar panels and can be charged through solar panels.

The solar panels that produce 400 watts of power can fully charge the battery in as little as 4 hours. (Solar panel maximum 500W (maximum voltage 50V)

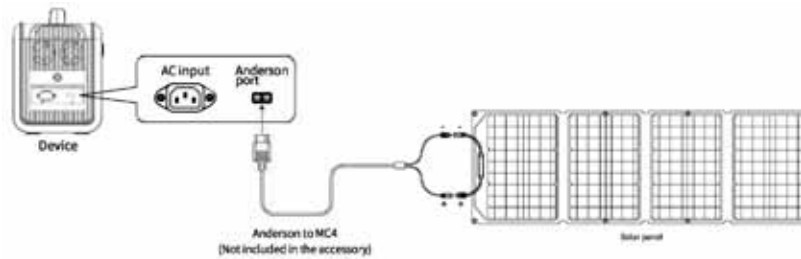
* Solar panel charging power, according to the weather and climate conditions.

* Solar panel voltage exceeding 50V will damage the equipment and will not be covered by warranty.

• By solar panels

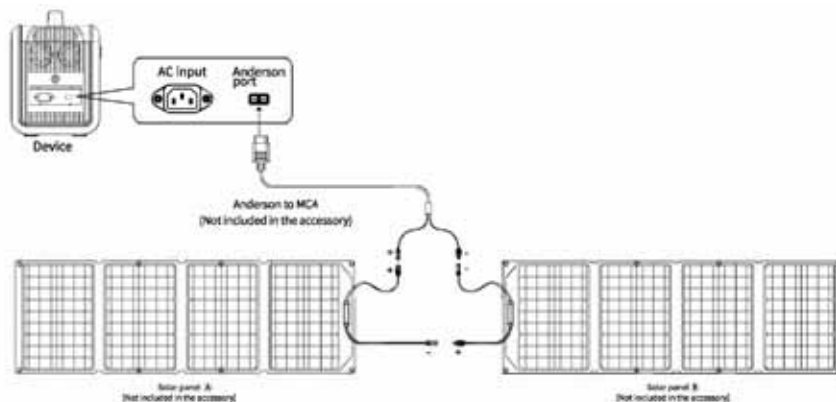
Connecting Pattern ①

The area of charging



Connecting Pattern ②

The area of charging



CAR CHARGING

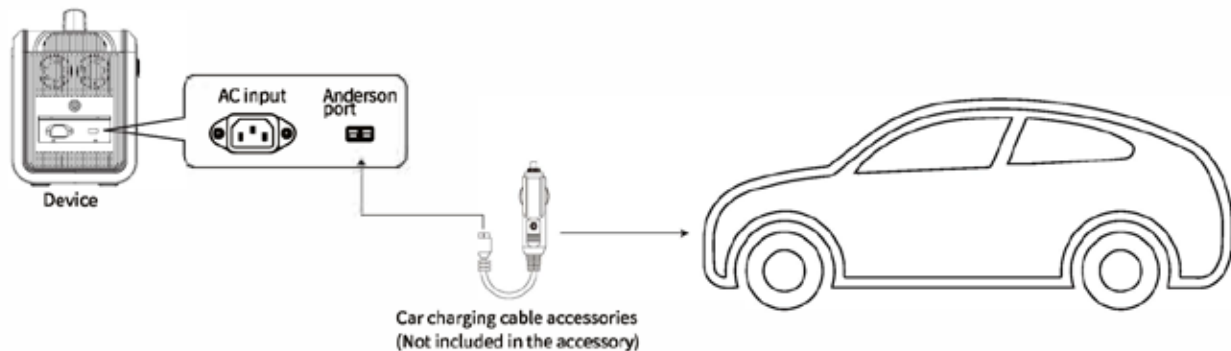


This product can be charged by the cigarette lighter in the car with an ACC cable.

Turn the battery power on, connect the ACC charging cable to the cigarette lighter in the car, and the Anderson interface on the side of the product, turn on the engine of the car, and the LED will show the charging input.

* On-board charging should be carried out with the car engine turned on. If the engine is not turned on, the battery might run out.

*Car charging is usually low power 90-120W, this means the charging time will be longer. If you need quick charge, it is recommended to use a wall outlet.





SPECIFICATIONS

Product name	1200W Portable Power station
Product size	L*W*H=387*228*316mm
Product weight	14kg
Capacity	1248Wh
AC Charging	50/60Hz 700W max
MPPT input	11.5-50V 20A 500W max
AC output	AC output : 50/60Hz(frequency switch available), rated 1200W, 2400W peak pure sine wave. Built-in overload and short circuit protection.
USB	USB-A (5V x2)
Type-C	5-20V/5.0A,100W max(PD3.0 x 1),PD 20W x 3
DC 5521	12V/3Ax2
Cigar lighter output	12V/10A
Power off current	<500uA
Operating temperature	-10~40°C
Charging temperature	0~40°C
Environment humidity	≤900%RH




BATTERY SPECIFICATION

Battery type	32130 LiFePo4
Singlecell rated voltage	3.2V
Singlecell rated capacity	13Ah
Battery pack rated voltage	48V
Battery pack output voltage	42-54V
Battery pack rated capacity	1248Wh





FAULT RESOLUTION

STATUS	EXPLANATION	RECOVER METHOD
 <p>Above icon flashes and buzzes.</p>	<p>output exceeds standard, short circuit.</p>	<ol style="list-style-type: none"> 1. Remove the load. 2. Check whether the overload protector is up. If it is up, press the overload protection button, press the AC output button. 3. If the overload protector does not spring up, directly press AC output Restore output function.
 <p>The temperature warning icon flashes and buzzes.</p>	<p>The temperature of this product has exceeded the appropriate temperature.</p>	<p>Remove the equipment, turn off the power of this product, and wait for the equipment to reach the appropriate temperature.</p>
 <p>Charging unavailable.</p>	<p>Bad wire connection.</p>	<p>Confirm the connection status of the line and the power supply.</p>
	<p>Overload protection function activated.</p>	<ol style="list-style-type: none"> 1. Turn off the power button and remove cables from all ports. 2. After verifying that all components are normal, turn on the power button. 3. Press the overload protection button to connect the AC cable to recover AC input.



HOW TO MAINTAIN YOUR BATTERY



TRICKLE CHARGING AND STORAGE:

1. CHOOSE THE RIGHT TRICKLE CHARGER:

Your Expedition 500 comes stock with two 100 AMP hour deep cycle AGM batteries. Make sure you have a trickle charger specifically designed for the type of battery you're using (e.g., lead-acid, AGM, gel-cell, etc.). Different types of batteries have different charging requirements.

2. PREPARE THE BATTERY:

Ensure the battery is clean and free of any corrosion on the terminals. If there's corrosion, clean it using a mixture of baking soda and water and a wire brush.

3. SELECT A SUITABLE LOCATION:

Place the battery in a well-ventilated area, preferably on a stable, non-flammable surface. Ensure there are no open flames or sparks nearby.

4. CONNECT THE TRICKLE CHARGER:

Connect the red (positive) lead from the charger to the positive terminal on the battery and the black (negative) lead to the negative terminal. If your charger has multiple settings, set it to the appropriate one for your battery type.

5. PLUG IN THE CHARGER:

Plug the charger into a power outlet. Ensure that the outlet is not controlled by a switch, as you want a continuous power supply.

6. MONITOR THE CHARGING PROCESS:

Keep an eye on the charger periodically, especially during the initial few hours. If you notice any unusual heat or excessive bubbling, disconnect the charger immediately and re-check the connections.

7. MAINTAIN A SLOW CHARGE:

Trickle chargers are designed to provide a slow, steady charge. This helps prevent overcharging and overheating. A typical trickle charge rate is around 1-2 amps.

8. CHECK VOLTAGE LEVELS:

Use a multimeter to check the voltage of the battery regularly.



HOW TO MAINTAIN YOUR BATTERY



9. DISCONNECT THE CHARGER:

Once the battery is fully charged, unplug the charger from the power outlet and then disconnect it from the battery.

10. PERFORM REGULAR CHECKS:

Even when using a trickle charger, it's a good idea to check the battery periodically for any signs of damage or leakage.

11. STORE THE BATTERY PROPERLY:

If you're storing the battery for an extended period, ensure it's in a cool, dry place, away from direct sunlight. It's best to store it on a wooden or non-conductive surface.

12. RECHARGE AS NEEDED:

Check the battery's charge level every few weeks or months, depending on the storage conditions and the type of battery. If the charge drops significantly, give it a top-up charge.

Remember to always follow the manufacturer's instructions for both the battery and the trickle charger, as specific guidelines may vary depending on the make and model. This will help ensure that you're taking the best care of your battery.

HOW TO CLEAN AND MAINTAIN YOUR FIBERGLASS SHELL

Your El Cap's outer layer is made of fiberglass, it is imperative that you maintain this fiberglass insuring your campers longevity. Improper care could result in irreversible damage.

GATHER SUPPLIES:

Mild dish soap or a dedicated fiberglass cleaner
Soft-bristle brush or sponge
Bucket

Water hose or pressure washer (on low setting)
Microfiber cloths or towels
Soft, clean rags



HOW TO CLEAN AND MAINTAIN YOUR FIBERGLASS SHELL



PREPARATION:

Park your camper in a shaded area. This prevents the cleaning solution from drying too quickly, which can cause streaks or water spots.

RINSE THE SURFACE:

Start by rinsing the entire surface of the fiberglass shell with water. This helps remove loose dirt, debris, and dust.

PREPARE THE CLEANING SOLUTION:

Fill a bucket with water and add a mild dish soap or a dedicated fiberglass cleaner according to the manufacturer's instructions. Avoid using abrasive cleaners or harsh chemicals, as they can damage the fiberglass.

SCRUB GENTLY:

Dip a soft-bristle brush or sponge into the cleaning solution and gently scrub the surface of the fiberglass. Work in small sections, starting from the top and moving down.

PAY ATTENTION TO STAINS:

For tougher stains or spots, you can use a bit of extra elbow grease. If necessary, you can let the cleaning solution sit for a few minutes to help break down the dirt.

RINSE THOROUGHLY:

Rinse the entire surface again with clean water. Make sure to remove all traces of the cleaning solution to prevent streaking.

DRY THE SURFACE:

Use a microfiber cloth or towel to dry the fiberglass shell. This helps prevent water spots and streaks from forming.

INSPECT FOR REMAINING STAINS OR DAMAGE:

After the shell is dry, inspect it for any remaining stains, spots, or damage. Address any issues promptly.



HOW TO CLEAN AND MAINTAIN YOUR FIBERGLASS SHELL



APPLY WAX (OPTIONAL):

To protect the fiberglass and add a layer of shine, consider applying a coat of automotive wax specifically designed for fiberglass surfaces. Follow the manufacturer's instructions for application.

REGULAR MAINTENANCE:

To keep your fiberglass shell in good condition, establish a regular cleaning schedule. This might be necessary after trips where your trailer encounters a lot of road grime, bugs, or other debris.

Fiberglass is a durable material, but it can be damaged by a variety of factors. Here are some common things that can potentially harm fiberglass:

ABRASIVE MATERIALS:

Rough or abrasive materials can scratch the surface of fiberglass, causing cosmetic damage.

CHEMICAL CLEANERS:

Harsh chemicals, solvents, acetone, and abrasive cleaners can react with the fiberglass and cause it to deteriorate or become discolored.

IMPACT OR FORCE:

Strong impacts or excessive force can lead to cracks, chips, or fractures in the fiberglass structure.

UV EXPOSURE:

Prolonged exposure to ultraviolet (UV) rays from the sun can lead to fading, discoloration, and degradation of the surface.

FREEZING TEMPERATURES:

Fiberglass can become brittle in freezing temperatures. This can lead to cracks or other structural damage if the material is subjected to stress or impact.

HEAT AND FIRE:

Fiberglass can melt or become deformed when exposed to high temperatures or open flames.

IMPROPER STORAGE:

Storing fiberglass in a way that puts excessive pressure on specific areas or exposes it to extreme environmental conditions can lead to damage.

CHEMICAL EXPOSURE:

Exposure to certain chemicals, such as gasoline, oils, or strong acids, can weaken or corrode the fiberglass material.

BIOLOGICAL GROWTH:

Algae, mold, or other types of biological growth can develop on the surface of fiberglass if it is not properly cleaned and maintained.



HOW TO CLEAN ALUMINUM



Aluminum can be found in multiple places throughout your Camper. Anything from your campers stove, or cooking surface, to components on your trailer can be aluminum. A quick way of checking if a metal component is aluminum, is to test and see if it is magnetic. Generally if the piece is not magnetic it is in fact aluminum. please follow the below instructions for your aluminum parts.

GATHER SUPPLIES:

Mild dish soap or a specialized aluminum cleaner
Soft-bristle brush or sponge
Bucket
Water hose or pressure washer (on low setting)
Microfiber cloths or towels

PREPARATION:

If dealing with outdoor aluminum, choose a shady time of day to clean. Avoid direct sunlight, as it can cause cleaning agents to dry too quickly.

RINSE:

Rinse the aluminum surface with water to remove loose dirt, debris, and dust.

PREPARE THE CLEANING SOLUTION:

Fill a bucket with water and add a mild dish soap or a specialized aluminum cleaner.

SCRUB GENTLY:

Dip a sponge or micro fiber cloth into the cleaning solution and gently scrub the aluminum surface. Work in small sections, starting from the top and moving down.

Caution, *aluminum is incredibly scratch susceptible, insure you do not clean any aluminum surface with anything even remotely abrasive.*



HOW TO CLEAN ALUMINUM



PAY ATTENTION TO STAINS:

For tougher stains or spots, you can use a bit of extra elbow grease. If necessary, you can let the cleaning solution sit for a few minutes to help break down the dirt.

RINSE THOROUGHLY:

Rinse the entire surface again with clean water. Make sure to remove all traces of the cleaning solution.

DRY THE SURFACE:

Use a microfiber cloth to dry the aluminum. This helps prevent water spots and streaks from forming.

MAINTAINING ALUMINUM:

REGULAR INSPECTION:

Periodically inspect the aluminum for signs of oxidation, corrosion, or damage. Address any issues promptly.

APPLY A PROTECTIVE COATING (OPTIONAL):

To further protect the aluminum, you can apply a specialized aluminum polish or wax. This creates a barrier against environmental elements.

AVOID HARSH CHEMICALS:

Avoid using strong solvents, bleach, or abrasive cleaners, as they can damage the aluminum surface.

PROTECT FROM HARSH ENVIRONMENTS:

If possible, store or cover aluminum items during extreme weather conditions or in areas with high pollution or salt content in the air.

AVOID CONTACT WITH DISSIMILAR METALS:

Minimize contact with other metals, especially those that are less noble (like steel), as it can lead to galvanic corrosion.



HOW TO CLEAN FLOORS



MATERIALS YOU'LL NEED:

Broom or vacuum cleaner

Warm water

Mild dish soap or a specialized vinyl floor cleaner

Bucket

Mop (microfiber or a soft mop)

Soft cloths or microfiber towels

Soft-bristle brush (optional)

Rubber gloves (optional)

White vinegar (optional)

REMOVE DEBRIS:

Start by sweeping the floor with a broom or using a vacuum cleaner with a soft brush attachment to remove loose dirt, dust, and debris. This prevents scratching during the cleaning process.

PREPARE A CLEANING SOLUTION:

Fill a bucket with warm water. If your vinyl floor is particularly dirty, you can add a few drops of mild dish soap or a specialized vinyl floor cleaner. Avoid using abrasive cleaners, ammonia-based cleaners, or harsh chemicals, as they can damage the vinyl.

TEST A SMALL AREA:

Before you start cleaning the entire floor, it's a good idea to test your cleaning solution on a small, inconspicuous area to ensure it doesn't cause any damage or discoloration.

MOP THE FLOOR:

Dip a mop (preferably microfiber or a soft mop) into the cleaning solution, wring out excess water, and then mop the floor. Make sure the mop is damp, not dripping wet. Start from one corner and work your way towards the exit to avoid walking on the freshly cleaned area.

SCRUB STAINS (IF NECESSARY):

For stubborn stains, you can use a soft-bristle brush or an old toothbrush to gently scrub the affected area. Be careful not to use anything too abrasive, as it could scratch the vinyl.

RINSE THE FLOOR:

Empty the bucket and fill it with clean, warm water. Rinse out the mop and wring it out thoroughly. Mop the floor again with clean water to remove any soap residue.



HOW TO CLEAN FLOORS



DRY THE FLOOR:

Use soft cloths or microfiber towels to dry the floor thoroughly. This helps prevent slips and falls and also avoids any potential water damage to the vinyl.

OPTIONAL: VINEGAR RINSE (FOR STUBBORN SPOTS):

If you have some tough spots or want to add extra shine, you can create a mixture of equal parts water and white vinegar. Dampen a cloth or mop in this mixture and gently go over the affected areas.

TIPS:

- Avoid using abrasive materials like steel wool or scouring pads, as they can scratch the vinyl.
- Wipe up spills promptly to prevent staining and potential damage to the vinyl.

By following these steps and tips, you should be able to keep your vinyl floors clean and in good condition.

HOW TO PROPERLY STORE YOUR CAMPER

Properly storing your camper for long periods of time is essential to ensure it remains in good condition and ready for use when you're ready to hit the road again. Here's a step-by-step guide to help you with the process:

CLEAN THOROUGHLY:

Clean the interior and exterior of the camper. Remove all food, perishables, and trash to prevent attracting pests. Clean the appliances, counter tops, and floors.

Wash the exterior, including the roof, to remove dirt, grime, and bird droppings. Dry it thoroughly to prevent mold and mildew.



HOW TO PROPERLY STORE YOUR CAMPER



INSPECT FOR DAMAGE:

Check for any signs of leaks, cracks, or damage to the roof, windows, doors, and seals. Address any issues promptly.

CHECK AND SERVICE MECHANICAL SYSTEMS:

check and service your mechanical systems such as window struts, Lippert Legs, door hinges, etc... make sure that all mechanical components are well greased and ready for your next trip.

DISCONNECT UTILITIES:

Disconnect the battery and, if possible, store it in a cool, dry place. Use a trickle charger or battery tender to maintain its charge. Disconnect the propane tanks and store them in a cool, dry place away from direct sunlight or heat sources. Empty all water canisters, and remove all diesel from holding tanks.

VENTILATION AND MOISTURE CONTROL:

Leave roof vents cracked open to allow air circulation and prevent condensation. Consider using moisture-absorbing products or dehumidifiers inside the trailer, especially if it will be stored in a humid environment.

RODENT AND PEST CONTROL:

Seal any openings where rodents or insects could enter the camper. Use steel wool, silicone caulk, or foam insulation. Place rodent traps or deterrents inside and around the trailer to prevent infestations.

REGULAR CHECK-UPS:

Periodically check on the trailer to ensure everything is in good condition. This includes inspecting for leaks, pests, and any other potential issues.

DOCUMENTATION AND SECURITY:

Keep all important documents like insurance, registration, and maintenance records in a safe and easily accessible place. Consider additional security measures like a safe or an RV alarm system to deter theft.

PREPARE FOR RE-COMMISSIONING:

Before using the camper again, go through a thorough inspection and maintenance checklist to ensure everything is in working order.

Remember, proper storage can greatly extend the life of your camping trailer. Taking the time to do it right will pay off in the long run.





CUT SHEET

Truck Camper Size	127" x 83"
Bed	81" x 53"
Mattress	81" x 53" x 4"
Sofa Bed	70" x 36"
Roof Top Tent	91" x 55"
270 Degree Awning	95" x 8" x 7" (packed)
Finish	All-aluminum frame, polyurethane, full set of high-end doors and windows, full set of high-end doors,
Furniture	German imported light wood boards
Living	Portable table that can be raised and lowered, hang bag's, square wall hanging bottle opener, external shelving, internal shelving,
Diesel Tank	Outdoor 10 litre external diesel tank (red)
Electric	Portable power source, 100W flexible solar panels
KitchenSystem(indoor)	Portable Tribe Trailers ten thousand BTU Dual Burner.
Water Tank	1x 21L water tank indoor, 1x 21L water tank outdoor
Lights	Indoor three-color light body inductive charging LED strip, Outdoor solar induction light
Heating	Diesel radiator
Tool	Plastic coated axe with long handle, multi-purpose Overland shovel
Toilet	Portable toilet



LEVELING YOUR TRUCK



Leveling a truck for camping is important to ensure comfort, stability, and safety during your camping trip. Here are steps you can take to level your truck:

CHOOSE THE RIGHT CAMPSITE:

Look for a campsite that is relatively flat and even. Avoid parking on a slope or incline if possible.

USE LEVELING BLOCKS:

Leveling blocks, also known as leveling ramps or blocks, are specially designed tools to help level your vehicle. They come in various materials like plastic, wood, or metal.

PARK THE TRUCK:

Position your truck in the desired camping spot.

CHECK FOR LEVELNESS:

Use a leveling tool, like a bubble level or smartphone app, to check if your truck is level from side to side and front to back. Place the level on the floor inside your truck for this.

IDENTIFY LOW SIDE:

Determine which side of the truck is lower. This is where you'll need to use the leveling blocks.

PLACE LEVELING BLOCKS:

If the left side of the truck is lower, for example, you'll want to place the leveling blocks on the left side. Start by placing one block under each wheel on the low side.

DRIVE ONTO THE BLOCKS:

Slowly drive your truck onto the leveling blocks. Make sure to do this gradually to avoid sudden jolts.

CHECK LEVELNESS AGAIN:

Recheck the levelness using your leveling tool. Make adjustments as necessary by adding or removing blocks.

STABILIZE THE VEHICLE:

Once your truck is level, consider using stabilizing jacks or supports to add extra stability. These can be placed under the frame or axle of the truck.



LEVELING YOUR TRUCK



TEST FOR STABILITY:

Gently rock the truck from side to side to ensure it's stable. If it feels wobbly or unsteady, make further adjustments.

SECURE THE TRUCK:

Engage the parking brake and/or use wheel chocks to prevent any movement.

SET UP YOUR CAMPSITE:

Once your truck is level, you can go ahead and set up your camping equipment.

Remember to exercise caution and use common sense when leveling your truck. Always follow safety guidelines provided by the manufacturer for any equipment you're using. If you're unsure about any step, it's best to seek advice from experienced campers or professionals.

OPENING YOUR ROOF TOP TENT

METHOD 1: EXTERIOR ACCESS

Locate the two ladder brackets on the exterior of the camper. These brackets are designed for attaching the telescoping ladder that comes with your camper.

Ensure that the ladder is securely attached to the ladder bracket. It is crucial that the ladder is firmly grounded, providing a stable base.

Ascend the ladder carefully to gain access to the roof top tent. At the back of the roof top tent, find the latches. These are located directly above the truck camper's door.

Unlatch the tent.

Using the provided handle, begin lifting the roof top tent. Inside, gas spring struts will assist in the lifting process. Initially, the tent may feel slightly heavy, but as it begins to open, it will become easier to handle. Once the tent is partially open, you can enter. Optionally, utilize the spring rods to secure the rain flaps over the door and windows.



OPENING YOUR ROOF TOP TENT



Using the provided handle, begin lifting the roof top tent. Inside, gas spring struts will assist in the lifting process. Initially, the tent may feel slightly heavy, but as it begins to open, it will become easier to handle.

Once the tent is partially open, you can enter. Optionally, utilize the spring rods to secure the rain flaps over the door and windows.

METHOD 2: INTERIOR ACCESS

Ensure that the tent latches are undone.

Inside the camper, directly above the bed, locate the pass-through hole leading to the roof top tent.

Remove the floor panel covering the pass-through hole.

From inside the camper, gently push upwards on the roof of the roof top tent.

The gas struts will take over, fully opening the tent.

Climb into the roof top tent using the false floor created by the pass-through hole.

Once inside, you can replace the floor panel to cover the hole.

Note:

Always exercise caution when using the ladder, ensuring it is securely attached and firmly grounded. If you encounter any difficulties during this process, please contact Tribe Trailers customer support for assistance.

LP SAFETY

PROPANE GAS SYSTEM

Propane gas, also known as LP or liquefied petroleum, is a naturally odorless, highly flammable fuel stored in gas cylinders (commonly called LP tanks) used by the stovetop.

A strong odor, almost like sulfur or rotten eggs, is added to the gas so hazardous leaks can be smelled.



LP SAFETY



IMPORTANT SAFETY INFORMATION:

- ALWAYS close shutoff valves on LP tanks when the propane system is not in use. Hand tighten only to avoid damaging interior seals on the valve.
- DO NOT use an open flame to check for leaks. Use a dish soap and water solution. Spray onto fittings and joints. Bubbles will develop at the leak point.
- DO NOT restrict access to the LP tank. Always keep the valve accessible for emergency shutoff.
- DO NOT use any LP tank other than the one supplied with your trailer unless provided to you by a qualified dealer or service technician.
- DO NOT block installed vents in your propane compartment. The compartment must be ventilated for proper air flow.
- DO NOT cross thread, jam or try to force the fitting onto the hose connector.
- DO NOT pack or store extra LP tanks inside the camper, whether full or empty.

The valves have safety devices that can release gas into the atmosphere when under high pressure. Always ventilate your camper when using propane appliances to avoid carbon monoxide and asphyxiation danger.

Check the LP gas system for leaks or malfunctioning parts before each trip to avoid mishaps. Always fasten LP tanks securely and properly in the bracket intended for them

When using the propane gas system for the first time, and after the first 5,000 miles of use, employ a qualified technician to check the piping for leaks. The piping system is tested and checked at the factory, but travel vibrations can loosen joints.

- Read and understand operating manuals of propane powered appliances before you start using your propane gas system.
- The hatch door is equipped with a safety shutoff valve on the gas prop that will cut off the gas supply to the stove if you happen to leave the stove on before closing the hatch door. This is for your safety.

FILLING LP TANK(S)

Important information for filling LP tanks:

- Propane appliances will not light when there is an improper mixture of gas and air. Brand new LP tanks often have air and moisture trapped inside before first time use. Have a qualified service technician purge your new LP tanks before filling them for the first time.
- Fill the LP tank at authorized propane fueling facilities only.
- It is illegal to fill an LP tank inside the compartment or inside your camper. Remove the LP tank from the camper to fill them.



LP SAFETY



- Never overfill the LP tanks beyond the safe level.
- Always extinguish all open flames and shut off appliances before removing or reinstalling the LP tank.
- When the LP tank is not connected to the piping system, always attach a dust cap to the connection fitting to keep it clean.

Steps for properly removing, filling and reinstalling the LP tank(s):

1. Close valves securely on the LP tank(s). Hand tighten only. This will shut off all appliances.
2. Position the changeover lever to the full bottle
3. Unthread the pigtail hose attached to the empty LP tank and attach the dust cap.
4. Close valves securely on the LP tank(s). Hand tighten only. This will shut off all appliances.
5. Position the changeover lever to the full bottle.
6. Unthread the pigtail hose attached to the empty LP tank and attach the dust cap.

Fill the LP tank at a qualified propane fueling station.

1. Place the filled LP tank in the compartment and securely fasten it.
2. Remove the dust cap.
3. Carefully thread and hand tighten the pigtail hose connector onto the tank's fitting.
4. Open the valve on the LP tank very slowly to prevent a rush of liquid propane called freeze-up. If you experience freeze up, close the valve, wait 15 minutes and try again.
5. When you open the valve, you will hear a hissing noise. If the hiss lasts longer than 2 seconds, close the valve and have your dealer service the propane system. You may have a leak.

PROPANE SYSTEM MAINTENANCE

It is possible for the propane regulator to “freeze” in certain climate conditions due to the properties of propane and the dynamics of pressure change inside the regulator. In case of freezing, use an incandescent light bulb or heated blanket to warm the regulator and then have the system purged.

Environment, usage and time can deteriorate parts of the propane piping system. Inspect the piping system before each camping season. Look for cracks, loss of flexibility and corrosion. If parts need replaced, consult your TRIBE dealer for proper parts of the same type and rating.

PROPANE USAGE

Propane usage fluctuates, so there is no real way to accurately measure propane usage. This fluctuation



LP SAFETY



is due to varying usages of appliances. Propane usage can be measured to some degree of accuracy by understanding BTUs of appliances and the capacity of LP tanks. A standard 20 lb. LP tank contains approximately 430,270 BTUs of propane gas while a standard 30 lb. LP tank contains approximately 645,405 BTUs.

LP GAS SAFETY PRECAUTIONS

- **WARNING:** DO NOT use propane while traveling. The main propane service valve must be shut off while traveling because of the danger of a fire or explosion if a propane line under pressure were ruptured in an accident. In addition to being unsafe, it is **ILLEGAL** in some states to operate a propane appliance while the vehicle is in motion.
- Inspect the entire LP gas system for possible leaks or damaged parts before each trip
- When testing for leaks use soapy water.
- **WARNING:** Never check for LP gas leaks with an open flame.
- Never lock the LP gas compartments. The tank service valve should always be accessible in case of an emergency.
- **WARNING:** Do not place or store an LP gas container inside the vehicle. LP gas containers are equipped with safety devices, which relieve excessive pressure by discharging gas into the atmosphere.
- Only have the LP gas tank filled by an authorized technician
- Always make certain that the tank is secured in place
- **WARNING:** Always extinguish all LP gas appliance pilot lights before refueling the gasoline tank on your vehicle.
- Never use an upright tank in a lay down position or a lay down tank in an upright position
- Use caution when drilling holes or fastening objects to the walls or floor of your camper. Gas lines could be damaged and present an extreme safety hazard.
- **WARNING:** Never use natural gas in your LP gas system.
- **WARNING:** Most LP gas appliances used in recreational vehicles are vented to the outside of the vehicle. When parked close to a gasoline pump, it is possible that the gasoline fumes could enter this type of appliance and ignite from the burner flame, **CAUSING A FIRE OR AN EXPLOSION. FOR YOUR SAFETY,** when refueling, shut off all LP gas appliances that are vented to the outside.

USING YOUR LP GAS SYSTEM AT LOW TEMPERATURES

Your gas system will function at low temperatures provided the system components are kept at a temperature above the vapor point of the LP gas.



LP SAFETY



Note:

Propane vaporizes at about 40 degrees F below zero.

LP gas systems can and do freeze in very cold weather. It is a common misconception that the regulator or the gas itself freezes. Actually, it is moisture or water vapor that gets trapped in the system or is absorbed by the gas that freezes and causes the problem. This ice can build up and partially or totally block the gas supply.

There are a number of things you can do to prevent this freezing:

1. Be sure the propane tank is totally moisture -free before it is filled.
2. Be sure the tank is not overfilled. This is also a safety consideration.
3. keep the valves on empty tanks tightly closed.
4. keep the valve closed during storage periods.
5. Have the gas tanks purged by the LP gas technician if freezing occurs.

Note:

TRIBE is not responsible for personal injury or property damage resulting from misuse or improper maintenance of the propane system or propane appliances.

CARBON DIOXIDE/ LP DETECTOR

SAFETY AND WARNING DEVICES

LP/CO DUAL ALARM

If the camper does not come with a LP/CO Alarm purchase one for your safety. Some of the camper have these alarms but it is always a good safe practice to have the best quality LP/ CO detector you can purchase.

The unit contains an alarm that will sound, alerting you to the presence of propane or carbon monoxide. The Red LED will flash and the alarm will sound a steady tone whenever a dangerous level of propane or methane gas is detected. IMMEDIATE ACTION IS REQUIRED. The detector will continue to alarm until the Test/Mute switch on the front of the alarm is pressed. Ventilate the camper. The Red LED will continue to flash until the gas is cleared, or the gas alarm will reactivate in approximately 5 minutes if the gas is still present. DO NOT RE-ENTER THE CAMPER. This alarm will return to normal operation after the camper is properly ventilated.

Note:

This device detects the presence of propane; it does not disconnect the gas supply.



CARBON DIOXIDE/LP DETECTOR



Be aware of the difference between propane leaks versus propane escaping from an unlit, open burner. Pure propane from a leaking pipe or fitting is heavier than air and will buildup its heaviest concentration at the floor level first. Propane from open burners is intentionally mixed with air to induce burning and will dissipate into the air. The primary purpose of the detector is to detect propane leaks. The propane from open burners is mixed with air (oxygen) so that it will burn. When mixed with air, the propane becomes only marginally heavier than air and may not sink to the floor. If a burner is left on, the area around the burner, range and adjoining counter space will be combustible and will cause injury and damage if ignited. This condition may exist for an extended time period before the propane can reach the detector's location and be detected. The detector only indicates the presence of propane at the sensor. Propane may be present in other areas.

PROCEDURES TO TAKE DURING AN LP (PROPANE) GAS ALARM

Turn the propane off at the tank(s), turn off all propane appliances, extinguish all flames and smoking material and open all doors and major windows to air out the camper. Do not reenter the camper until the alarm stops sounding. If the alarm sounds a second time after the propane is turned back on, leave the propane off and have a TRIBE Dealer make the necessary repairs to the source of the propane leak.

CARBON MONOXIDE MONITOR

CARBON MONOXIDE (CO)

Carbon Monoxide gas is colorless, tasteless, and odorless. It is a combustion by-product of fuel burning engines. The engine in your truck and generator system (if installed); produce it constantly while they are running. Carbon monoxide gas is deadly. Please read and understand the following warnings and precautions to protect yourself and others from the effects of carbon monoxide gas. Areas between the camper and truck bed are used for ventilation. Filling or blocking these areas could trap and prevent gases from escaping.



CARBON MONOXIDE MONITOR



WARNINGS

1. Exhaust gases are deadly. Do not block the tailpipes or situate the vehicle in a place where the exhaust gases have any possibility of accumulating either outside, underneath, or inside your vehicle or any nearby vehicles.
2. Outside air movement can carry exhaust gases inside the camper through windows or other opening remote from the exhaust outlets. Due to this possibility, *TRIBE DOES NOT RECOMMEND* that any passenger ride inside the camper while traveling.
3. Operate the engine(s) only when safe dispersion of exhaust gases can be assured and monitor outside conditions to be sure that exhaust continues to be dispersed safely.
4. Do not, under any circumstances, operate any engine while sleeping .

SYMPTOMS OF CARBON MONOXIDE POISONING

- Dizziness
- Headache
- Weakness and sleepiness
- Nausea
- Vomiting
- Muscular twitching
- Throbbing in temple
- Inability to think coherently.

If symptoms indicate the possibility of carbon monoxide gas poisoning:

- Turn off engine(s) immediately.
- Get out into fresh air at once.
- Sumon medical assistance.

Check the exhaust systems during routine maintenance and repair any leaks, damage, or obstruction before further operations. DO NOT modify any exhaust system in any way.



SMOKE DETECTOR AND FIRE EXTINGUISHER



SMOKE DETECTOR

Most fire casualties are caused by inhalation of toxic fumes (smoke) from a fire and not by flame. The smoke detector responds to smoke that enters the sensing chamber. It does not sense gas, heat or flame. Some TRIBE trailers have a wall mounted, battery powered smoke detector. If equipped, please read the smoke detector Owner's Manual for details on testing and caring for this important safety device. Test the smoke detector after the camper has been in storage, before each trip, and at least once a week during use.

The smoke detector should never be disabled due to nuisance or false alarm from cooking smoke, a dusty furnace, etc. Ventilate your camper with fresh air and the alarm will turn off. Do not disconnect the battery. Replace the battery once a year or immediately when the low battery "beep" signal sounds once a minute. If the smoke detector fails to operate with a new battery, replace the detector with a new unit.

FIRE EXTINGUISHER (NOT INCLUDED)

Always a good idea to get a good fire extinguisher. Your fire extinguisher should be replaced immediately after use or discharge. The fire extinguisher should be a Class B (gas- line, grease, flammable liquids) and Class C (electrical). Read the instructions on the fire extinguisher. Know how and when to use it. You and your family should be familiar with its operation. If you find it necessary to use the fire extinguisher, stand 45 degrees from the flame and spray side to side, starting at the top of the flame. Use caution to avoid standing upwind or uphill. If flames are climbing, spray vertical and work the retardant downwards. Dry chemical flame retardant should be cleaned away as soon as possible



FIRE SAFETY



FIRE SAFETY

These common causes are related to fire safety hazards and should be avoided at all costs:

- Smoking in bed
- Leaving children or animals unattended
- Using flammable cleaning fluids
- Leaving food unattended while cooking or baking
- Having faulty wiring
- Using damaged electrical devices
- Having propane or gasoline fuel leaks
- Being careless

IN A FIRE EMERGENCY:

- Evacuate the camper at once. Safe escape is the most important part of a fire emergency.
- Execute the Fire Safety Plan you developed.
- Understand the type of fire you are dealing with. Using water in a grease fire may spread the fire while using water for an electrical fire may result in electrocution.
- Call 911 from a safe distance away, regardless of the fire size.

FIRE SAFETY PLAN

In case of fire or weather emergencies, it is vital to have a Safety Plan developed for all occupants. The plan should be rehearsed and frequently practiced. Review the safety warnings in the General Safety portion of this manual for details. Pay attention to door and emergency exit locations, fire safety and how to operate safety equipment in your camper.

Educate all occupants on the following:

- The designated outside meeting place is a safe distance away from the camper where everyone gathers in an emergency. This should be chosen at each stop after parking your camper.
- The instruction for using the emergency exits. Practice finding the exit blindfolded. In case of a real fire, smoke may obstruct your vision.
- The safety procedure in the event of a fire, smoke or gas: stay low to the floor, avoid breathing in the fumes and exit immediately.
- The safety procedure in the event clothing catches fire: Stop, Drop and Roll. STOP, don't run, DROP to the ground, and ROLL back and forth until the fire is extinguished. Use your hands to shield your face from the fire. Running will only increase a fire.



GAS STOVE



GAS STOVES

Important Safety Information you must know and understand:

- Prevent fire and damage hazards by using approved pan sizes. Generally, the pan should cover the burner but must not be more than one inch larger. Keep handles turned inward but not over other burners.
- Only use cookware that is approved for use on top burners and is suitable to be exposed to direct flame.
- When using the burners and afterward, do not touch the burner grates until they are cooled.
- If you need to light the range with an external source, use a grill, kitchen or BBQ lighter as opposed to a flint lighter. This will keep your hands away from the flame. Keep the area around the appliance clear and free from combustible materials, gasoline, and other flammable vapors and materials.
- Never leave unattended food or utensils on the range.
- Do not use aerosol cans near any appliance with open flames. Most aerosol cans are explosive when exposed to heat or may be highly flammable.
- Do not leave plastic items on the cook-top as they may melt or soften. This can contaminate food if it is in plastic containers. The best practice is to discard the container and contents as a safety precaution.
- Familiarize yourself with the safety information on propane gas.
- In a fire emergency execute your family's Safety Plan. This is vital to you and your family's safety.

1. Right Burner
2. Left Burner
3. Click and Light Ignition
4. Gas Connection QC back right
5. Cover
6. Adjustable feet
7. Strap down points



Stove is equipped with a shut off valve and gas Quick Connector. Always shut gas off at the valve when not in use. Make sure that gas ignites when using stove. Always open windows and doors when using stove.





THANK YOU!

www.tribetrailers.com

