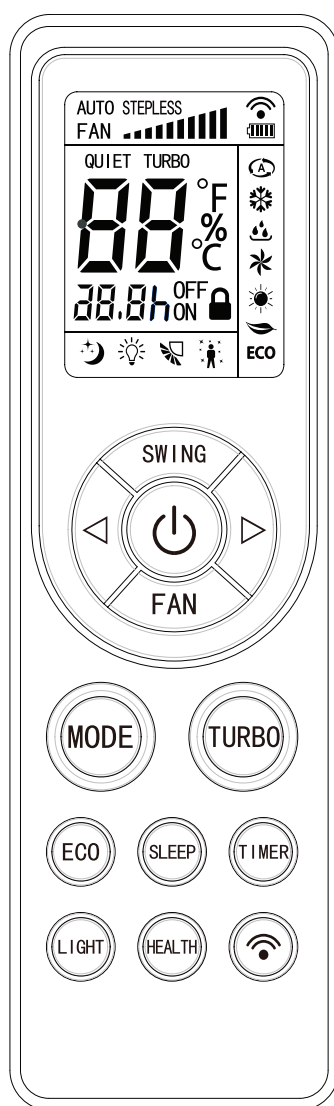




REMOTE CONTROL INSTRUCTIONS

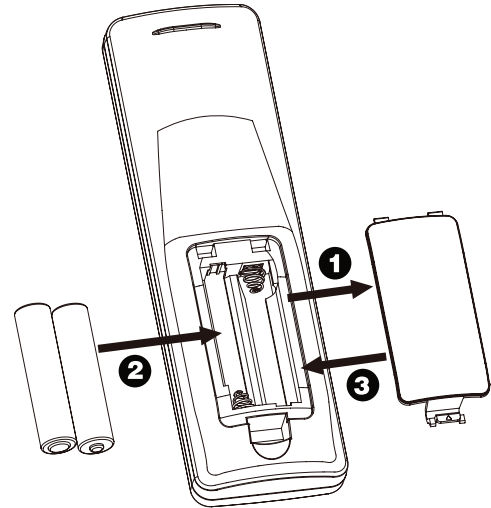
For air conditioners Ref.409730-409731-409732-409733-409894



Inserting the batteries

Installing batteries

1. Open the remote control cover " " by sliding it into the indicated direction.
2. Place 2 AAA 1.5V batteries inside you ensuring that the position of the poles "+" and "-" est correct.
3. Replace the cover of the remote control



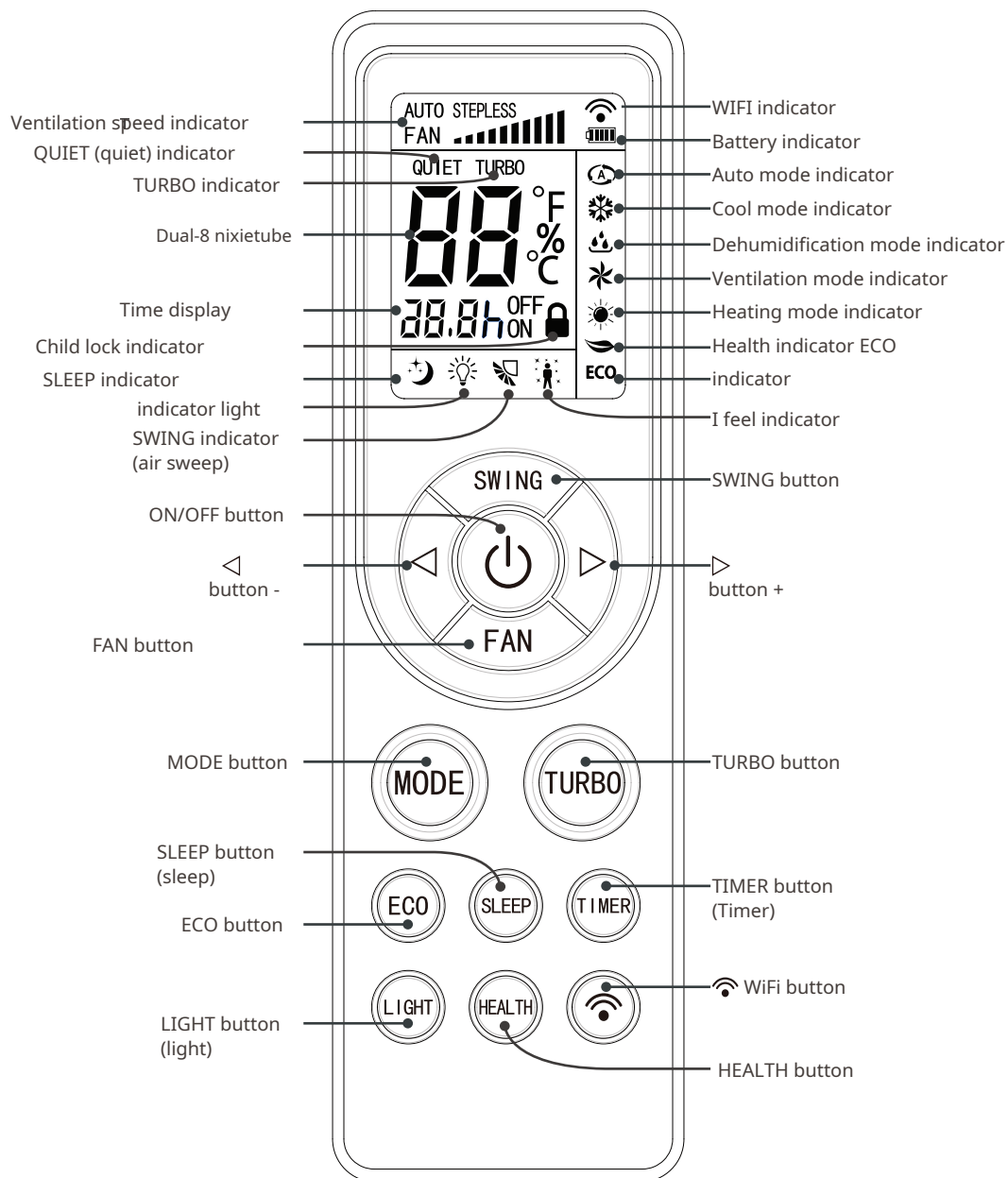
User manual

1. Turn on the remote control by pressing the " " button (⏻)
2. Appuyez sur " (Mode) " pour choisir un mode/une fonction spécifique
3. Use " " and " " buttons to adjust the temperature. (The temperature cannot be adjusted under Auto function)
4. Press " " to adjust fan speed: Auto, fan1, fan2, fan3, fan4, fan5,
5. Press SWING to choose the fan angle

Notes:

- Operate the remote control by pointing it at the indoor unit receiver
- To use the remote control, the distance between it and the air conditioner should not exceed 8m and there should be no obstacles between the two.
- Le signal entre la télécommande et le climatiseur peut être affecté en présence dans la pièce de lampe fluorescente ou de connexion wifi ; la télécommande doit être utilisée le plus près possible from the air conditioner.
- If the remote control will not be used for a long time, remove the batteries from it.
- S'il n'y pas d'affichage sur la télécommande ou s'il est flou, veuillez à remplacer les piles.

Remote control



Remote control buttons

When turning on the air conditioner, it emits a sound.

After the ON light is on, you can operate the air conditioner using the remote control.

En allumant le climatiseur, the air conditioner emits a "beep" sound, which indicates that the signal is good transmitted to the air conditioner.

L'affichage indique les reste of air conditioner functions.

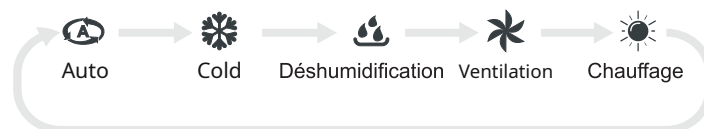
En éteignant le climatiseur, les icones lumière et horloge s'affichent sur la télécommande. (Si la minuterie et les fonctions lumières sont programmées, les icones correspondantes s'afficheront on the remote control at the same time)

ON/OFF button

Press this button to turn the air conditioner on or off.

Mode button

Appuyez sur ce bouton pour choisir un mode/une fonction spécifique.



- The **AUTO mode**: the air conditioner will automatically operate according to the manufacturer's parameters (factory preset: 23°C, whatever the mode)
In Auto mode, the temperature cannot be adjusted and will not be displayed. Press the fan button to adjust the ventilation. Press the SWING button to adjust the ventilation angle.
- The **COOL mode**: the air conditioner will operate in Cool mode. Press " " or " " button to adjust the temperature. Press the Fan button to adjust the ventilation.
Press the SWING button to adjust the ventilation angle.
- The **DRY mode**: the air conditioner will operate in fan 1 (fan1). In dehumidification mode, the fan cannot be adjusted. Press the SWING button to adjust the ventilation angle.
- The **FAN mode**: the air conditioner will only ventilate air. Neither hot nor cold. Press the Fan button to adjust the fan speed. Press the SWING button to adjust the ventilation angle.
- The **HOT mode**: the air conditioner will operate in Heat mode. Press " " or " " button to adjust the temperature. Press the Fan button to adjust the ventilation. Press the SWING button to adjust the ventilation angle

Notes:

- Une transition de 1 à 5 minutes est nécessaire pour passer du mode chauffage au mode air conditioner
- Adjusting the température from the télécommande : 16-30°C; Fan speed: Auto, fan1, fan2, fan3, fan4, fan5, turbo.

Remote control buttons

Button ◀ ▶

Press the buttons the ◀ ▶ to increase or decrease the temperature by 1°C. Hold buttons ◀ ▶ pressed to change the temperature more quickly.

The selected temperature will be displayed on the indoor unit. In

AUTO mode the temperature cannot be adjusted.

In TIMER/TIMER mode, press the buttons ◀ ▶ to adjust the time

Button FAN (Ventilation)

By pressing this button, you can adjust the fan speed as follows: Auto, Quiet, fan1 (), fan 2 (), fan3 (

.. ▄▄▄▄ ▄▄▄▄▄▄▄▄), fan4 (▄▄▄▄▄▄▄▄), Fan5(▄▄▄▄▄▄▄▄), Stepless speed



Notes:

- If Auto mode is activated, the air conditioner will adjust the fan speed automatically according to the ambient room temperature.
- La vitesse de ventilation en mode déshumidificateur est fan1.
- After activating the stepless speed mode, the user can adjust the fan speed with the " " and " " buttons. ◀ ▶

SWING button (Balayage d'air)

Press this button to turn on/off the air sweep and adjust the angle.

TURBO button

Press this button to activate or deactivate the turbo function in cool, heat or fan mode.

When the turbo function is activated, the TURBO icon is displayed on the remote control

Note: Press the FAN button to exit this function. This function is not used in auto mode or dehumidifying mode. When the turbo function starts the fan speed is silent automatically.

Remote control buttons

ECO button

The mode of energy efficiency. Can only be used in COOL mode, the **air conditioner** will settle automatically the temperature to 23° (factory setting), and the ventilation to auto, in order to save energy. The letters ECO are then displayed next to the temperature.

Note: In auto speed mode, the temperature cannot be adjusted.

In cooling mode, the SLEEP function cannot operate at the same time as the ECO function. The ECO function is valid in cooling mode only. No TURBO with the ECO function activated.


SLEEP button

Automatically adjusts the temperature to make the room more comfortable while you sleep at night. In fashion **Air conditioner**, the set temperature will automatically increase by 1°C every 60 minutes, reaching a total increase of 2°C during the first 2 hours of operation.

In fashion **Heating**, the set temperature is gradually lowered by 2°C during the first 2 hours of operation. After 10 hours of running in SLEEP mode, the air conditioner will stop automatically. When the mode **SLEEP** is activated, the " " symbol is displayed next to the temperature on the indoor unit. The brightness of the digital screen is reduced to provide additional comfort during the night.

Note: this function is not valid in ventilation mode and AUTO mode. This function is disabled by default after power-on. This function will be canceled after mode change

TIMER button (minuterie)

While pressing this TIMER button,  then the "H on / H off" icon will flash on the remote control. seconds, then press " " or " < " and " > " to set the timer. Each time < > ", you can increase or decrease the time by 30" or " " to minutes. Hold down " < quickly > set the time you want.

Appuyez sur « Timer » pour confirmer. " The "H on / H off) icon will stop flashing


Disable Timer

Once the timer is activated, to deactivate it, press "Timer" *Notes:*

Timer ranges from 0.5~24 hours.

- When the timer is activated, it is visible on the units.
- Timing resets the time to 00:00.

Button LIGHT (Light)

Press this button to turn off the digital screen of the air conditioner. The "press again  will disappear, to turn on again" icon.

HEALTH button

The ionizer generates a large amount of negative ions to effectively balance the amount of positive ions and negative ions in the air, neutralize bacteria and accelerate dust settling, thereby purifying the air in the room.

When the function is activated, the " " icon appears on the remote control.

Note: this function is not valid on all air conditioner models.

WIFI button

OPTION with WIFI module ref. 409729 only

In normal mode, enables or disables remote control of the air conditioner with a smartphone via the home WIFI network and/or the 3G/4G/5G cellular network.

This button only works after connecting the WIFI module ref.409729 (sold separately). Refer to the installation and user guide for the WIFI application, supplied with the module.

Remote control buttons

Functions of button combinations

1. Child lock

Press " " and " ◀ ▶ " at the same time to activate or deactivate the child lock.

When the child lock is activated, the " 🔒 " s'affiche sur la télécommande. Si vous utilisez the remote control when the child lock is activated, the icon " send 🔒 " will flash 3 times without signal to the air conditioner.

2. Forced defrost

In heating mode, press FAN and MODE buttons at the same time for 3s to activate or cancel forced defrost.

3. Chauffage basse température

In Heat mode, press "Mode" and "Low ▶ " at the same time to enable/disable the temperature heating".

"LA" displayed on the remote control is the code of the temperature before turning on/off the low temperature heating. The low temperature function is similar to "frost protection" operation. The air conditioner will operate in hot mode at a temperature of 8°C (ideal for second homes, or during prolonged absences).

When changing from one mode to another mode, the low temperature heating function will cancel. Turn off and turn on the air conditioner again to reactivate the low temperature heating function.

In the low temperature heating function, the SLEEP function and low temperature heating cannot start at the same time. When the low temperature heating function has already started, while you press the button of SLEEP, the air conditioner will turn off the low temperature heating mode and enter SLEEP mode. vice versa

Note:

- En mode chauffage à basse température, la vitesse de ventilation est set by default to automatic and cannot be adjusted.
- En mode chauffage à basse température, les modes " TURBO " et " QUIET " ne peuvent être activés. En mode chauffage à basse température, si les modes " TURBO " and " QUIET " avaient été préalablement activés, ceux-ci seront désactivés. Une fois le mode chauffage at low temperature deactivated, the "TURBO" and "QUIET" modes will not reactivate automatically.
- Quand le mode chauffage à basse température est deactivated, the fan speed and the initial temperature will be activated.