

Customization rules

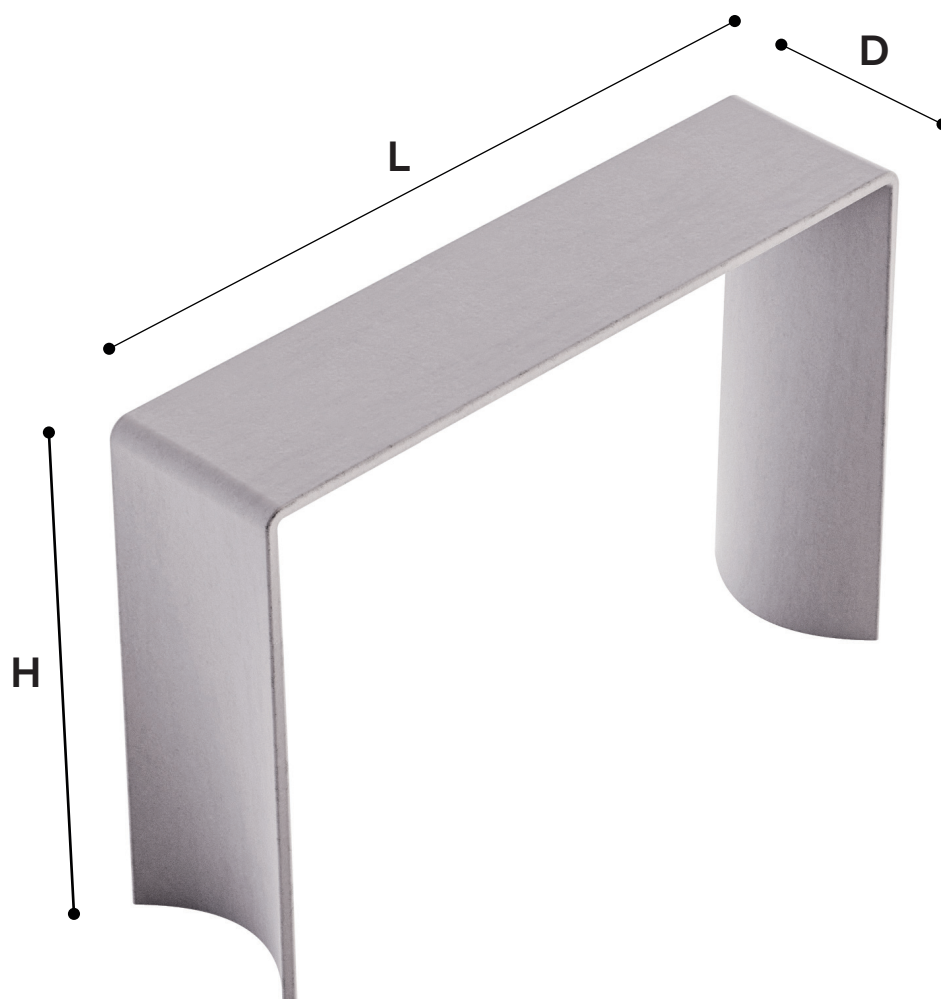
Tadao High Console Table

The Tadao High Console Table, like all pieces bearing the Forma&Cemento signature, offers customization options for both color and size. The standard dimensions for this piece are L: 120 x D: 30 x H: 80 cm, but modifications can be made as per the following guidelines:

- The depth (D) of the piece cannot be customized (= 30 cm).
- The height (H) can be reduced but cannot be increased (≤ 80 cm).
- The length (L) can be reduced or increased ($40 \text{ cm} \leq L \leq 230$ cm).

| | Max (cm) |
|---|------------------|
| L | 230 |
| H | 80 |
| D | not customizable |

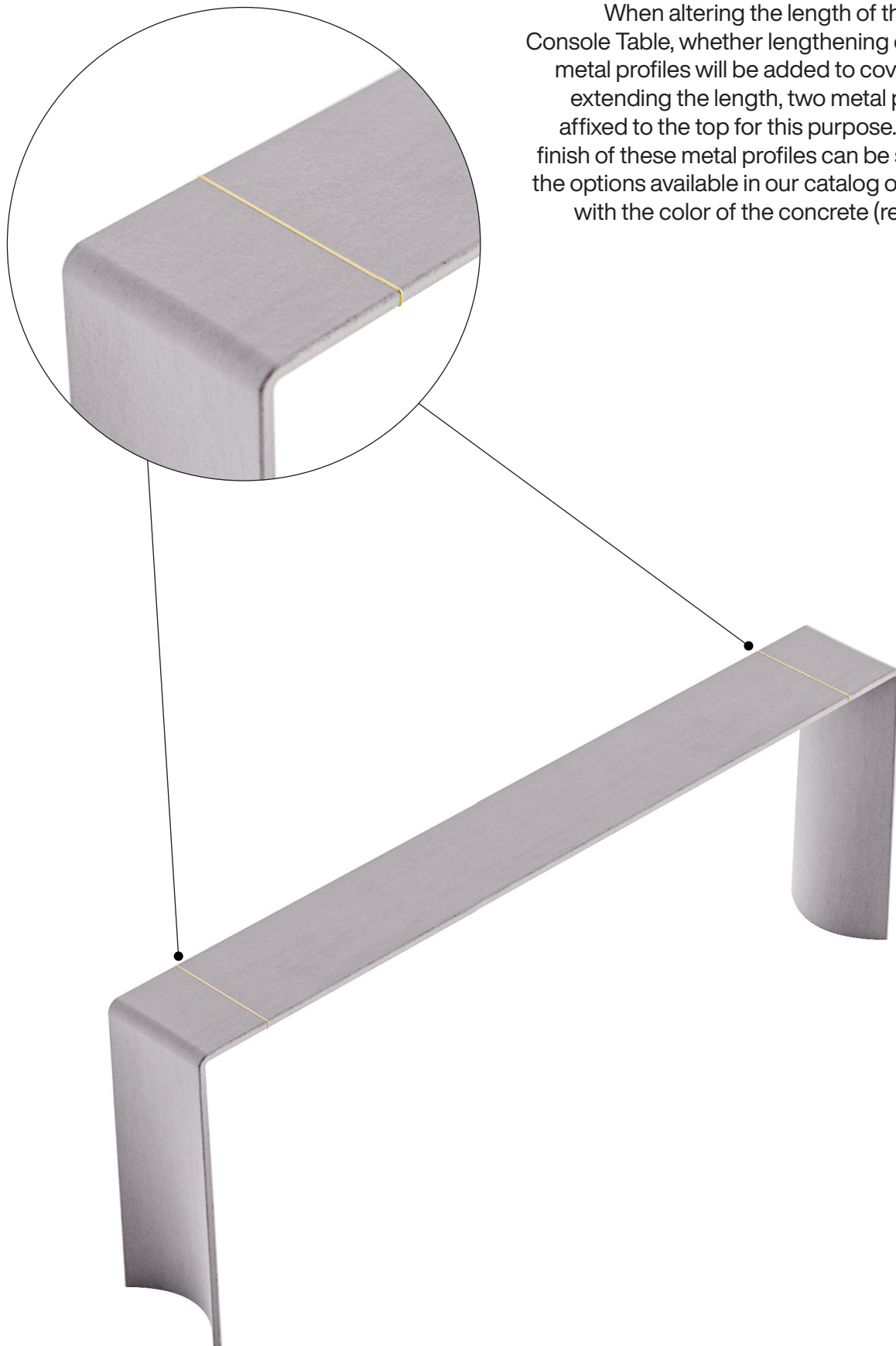
| | |
|---|--------|
| L | Length |
| H | Height |
| D | Depth |



Length customization

Longer type

When altering the length of the Tadao High Console Table, whether lengthening or shortening, metal profiles will be added to cover the joints. If extending the length, two metal profiles will be affixed to the top for this purpose. The shade or finish of these metal profiles can be selected from the options available in our catalog or coordinated with the color of the concrete (refer to page 4).



Length customization

Shorter type

In the event of reducing the size of the Tadao Console Table by shortening the top, the use of metal profiles remains necessary. However, in this scenario, since there's only one joint to cover, the customer can choose either a single metal profile or opt for two. Again, the shade or finish of the metal profiles can be chosen from those available in our catalog or matched to the color of the concrete (see page 4).



Metal profiles



The shade or finish of the metal profiles can be chosen from those available in our catalog or matched to the color of the concrete.

