

USING YOUR STERILISER IN COLD WATER STERILISATION MODE

WARNING! INSTRUCTIONS FOR USE AND CARE. IMPORTANT, READ CAREFULLY AND RETAIN FOR FUTURE USE.

- Keep the steriliser out of reach of children.
- Always follow loading instructions and do not overload.
- Always use the steriliser on a hard, level and stable surface.
- Before placing items into the steriliser ensure they are suitable for cold water sterilisation
- The lid is not leak proof and the contents will spill out if the unit is allowed to tip.
- In the event of any spillage, wipe up the solution immediately.
- Do not attempt to transport the unit with any sterilising solution inside.
- Do not use abrasive agents or scourers to clean the steriliser.
- Cold Water Sterilisation on its own is not a substitute for thorough cleaning. Always clean feeding bottles, teats and accessories thoroughly before sterilising them.
- Before sterilising, thoroughly wash all items in warm soapy water and rinse.

LOADING AND OPERATION OF YOUR COLD WATER STERILISER

- You can cold water sterilise up to 6 standard or 4 breast like bottles at a time.
- Remove both lower and upper baskets from the steriliser. Separate the lower basket from the central support post by twisting it anticlockwise.
- Place the steriliser on a hard, level and stable surface in a secure location where it cannot be reached by children.
- Following the instructions from the sterilant manufacturer, make up your sterilising solution accordingly in the steriliser base.
- Place your fully disassembled bottles, teats and/or accessories into the solution ensuring that there are no trapped air bubbles.
- Flip the lower basket upside down and place it on top of the contents in the steriliser base. This acts as a weight and ensures full submersion.
- Leave the equipment submerged in line with the sterilant manufacturers instructions.

AFTER COLD WATER STERILISATION

- Wash your hands thoroughly before touching sterilised items.
- Once you are ready to remove your items, carefully remove the steriliser lid.
- Remove the items you need and carefully shake off any excess solution.
- Assemble bottles/accessories accordingly
- Once bottles and accessories are removed from the steriliser they must be assembled and used immediately or re-sterilised.
- A fresh sterilising solution should be made up every 24 hours.



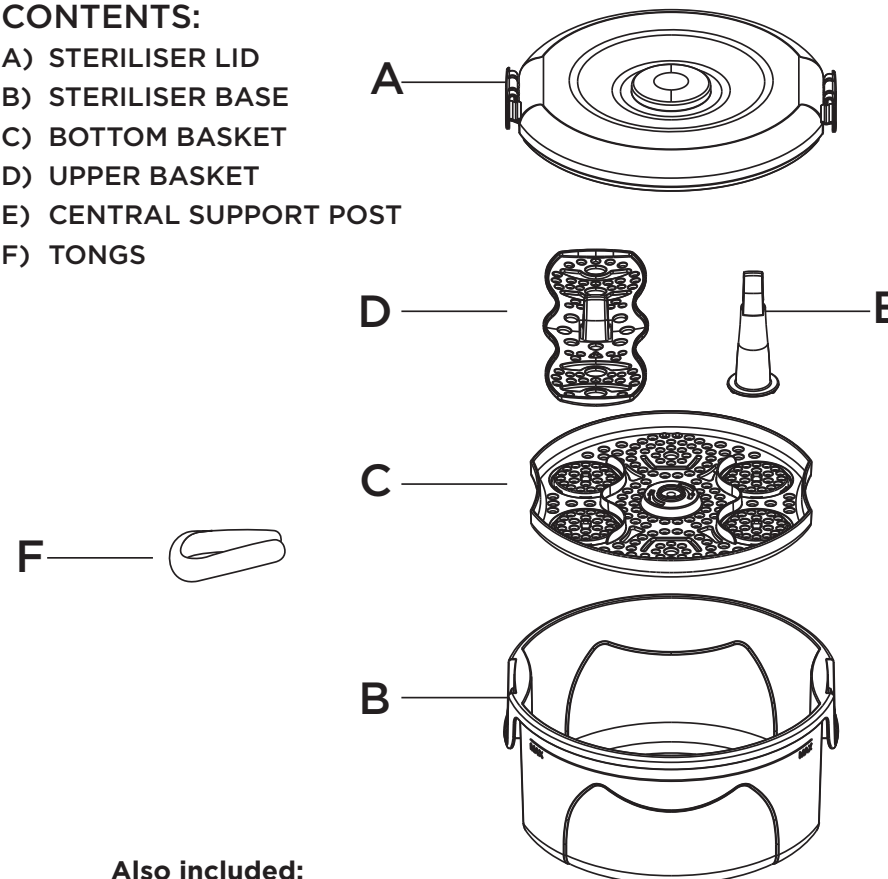
NURTURE™

2 in 1 combination steriliser

INSTRUCTIONS

CONTENTS:

- A) STERILISER LID
- B) STERILISER BASE
- C) BOTTOM BASKET
- D) UPPER BASKET
- E) CENTRAL SUPPORT POST
- F) TONGS

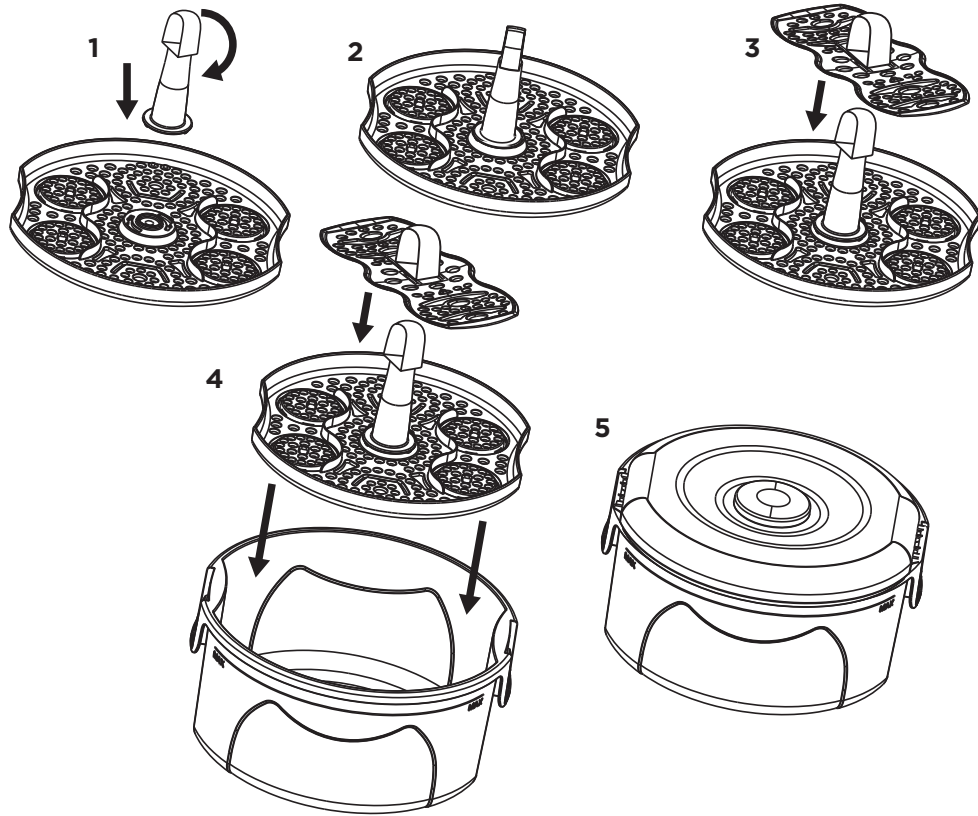


Also included:

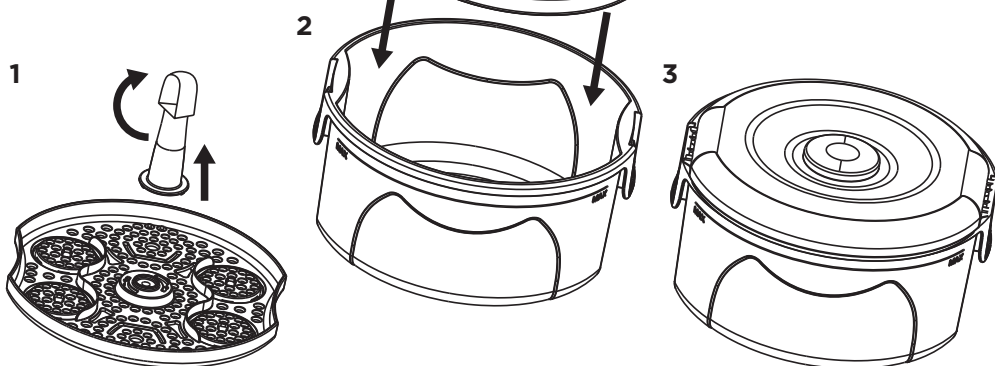


www.vitalbaby.com

ASSEMBLING YOUR 2 IN 1 COMBINATION STERILISER FOR MICROWAVE STERILISING



ASSEMBLING YOUR 2 IN 1 COMBINATION STERILISER FOR COLD WATER STERILISING



USING YOUR STERILISER IN MICROWAVE MODE

WARNING! INSTRUCTIONS FOR USE AND CARE. IMPORTANT, READ CAREFULLY AND RETAIN FOR FUTURE USE.

- When in microwave mode, the Steriliser uses the energy of your microwave to convert water into steam to sterilise your baby's bottles and feeding accessories.
- ALWAYS ensure that you add 200ml of water to the steriliser. Never use the steriliser without water or with the incorrect quantity of water.
- Check the power setting on your microwave before use to ensure that you microwave for the correct amount of time.
- Take care when opening the steriliser - Steam is hot and can burn.
- ALWAYS allow at least 3 minutes cooling time before attempting to remove the steriliser from the microwave.
- Always open the lid away from you to allow steam to escape.
- Take extra care when removing the steriliser from the microwave as it will be hot and contain hot water and steam. Only place it on a hard, stable and heat resistant surface.
- If you have a combination microwave oven make sure that the grill feature is switched off and that the oven has cooled before use.
- Do not attempt to sterilise metallic items in the microwave.
- Always follow loading instructions and do not overload.
- Keep all parts out of the reach of children.
- Always make sure that the microwave turntable is clean and dry before use.
- Before placing items into the microwave steriliser ensure that they are suitable for microwave sterilisation.
- Do not use chemical sterilising solutions/ tablets in the microwave.
- Do not use abrasive agents or scourers to clean the steriliser.
- Microwave sterilisation on its own is not a substitute for thorough cleaning. Always clean feeding bottles, teats and accessories thoroughly before sterilising them.

BEFORE EACH USE

- Before sterilising wash all items thoroughly in warm soapy water and rinse.
- Add 200ml of water into the steriliser base. If you use more or less than 200ml of water your items may not be properly sterilised and your steriliser or microwave may be damaged.

LOADING AND OPERATION OF YOUR MICROWAVE STERILISER

- You can sterilise up to 5 standard or 4 breast like bottles at a time.
- Place the bottle bases upside down on the bottom basket in the main steriliser body. Standard bottles will need to be placed on their side.
- Attach the upper basket and load with teats, spreading evenly around the available area.
- Place each bottle collar loosely on top of each teat followed by the caps.
- Finally, place the tongs on the basket and attach the lid.
- Insert the loaded steriliser into your microwave oven ensuring that the microwave is cool and that any grill feature (if applicable) is turned off.
- Microwave on full power according to the power rating of your microwave and the timings below.

| Wattage | Time on full power | Cooling time |
|-------------|--------------------|--------------|
| Up to 800W | 6 minutes | 3 minutes |
| 850 - 1000W | 4 minutes* | 3 minutes |

AFTER MICROWAVE STERILISATION

- Once the cycle is complete, WAIT AT LEAST 3 MINUTES TO ALLOW THE STERILISER TO COOL BEFORE ATTEMPTING TO REMOVE IT FROM THE MICROWAVE. Take care as the unit will still be hot.
- Carefully remove the steriliser from the microwave and place on a hard, stable and heat resistant surface. Where possible use heat resistant gloves for handling the hot steriliser. Handle the steriliser using the handle grips.
- Remove the lid carefully, opening it away from you, keeping your hands and face away from any escaping steam. WARNING - there may still be hot water and steam in the steriliser.
- Wash your hands thoroughly before touching sterilised items.
- Using the sterilised tongs provided, place teats on a hygienic surface (the inside of the lid is suitable for this) and lower the bottle collar on top of the teats.
- Whilst holding the bottle collar in place, use the sterilised tongs to pinch the top of the teat and gently pull upwards in different directions until it pops into place. The join where the teat and bottle collar meet should be smooth.
- Fasten the assembled bottle collar and teat to the bottle base.
- Once bottles and accessories are removed from the steriliser they must be assembled and used immediately or re-sterilised.
- After each use and after allowing the steriliser base to cool, pour away any remaining water from the base unit and wipe dry.