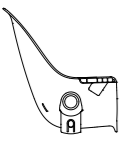
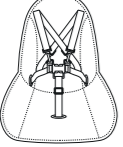

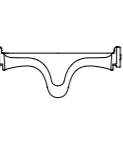
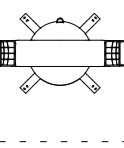

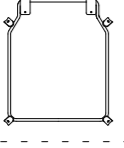
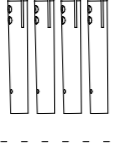
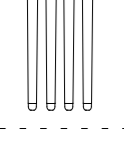

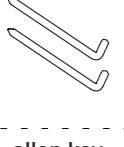
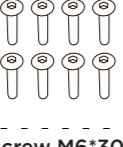


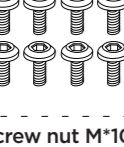

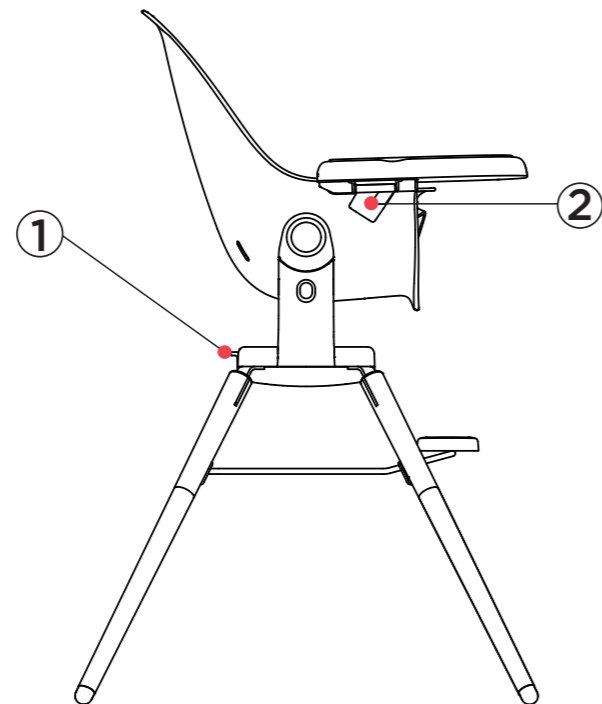


## COMPONENTS CHECKLIST


			
seat	seat cushion & harness	table tray & insert	t-bar
			
swivel unit	foot rest	support unit	upper legs x4
			
lower legs x4	feet x4	allen key x2	screw M6*30 x8
			<p>You will also need (not supplied)</p>  <p>Phillips screwdriver</p>
screw M6*20 x4	screw ST4*16 x4	screw nut M*10 x8	

## FUNCTIONS



- ① SPIN 360° BUTTON
- ② TRAY ADJUST (2 POSITIONS)

## IMPORTANT, RETAIN FOR FUTURE REFERENCE: READ CAREFULLY BEFORE USE. FOR YOUR SAFETY AND HEALTH WARNING!

- Never leave the child unattended.
- Always use the safety harness.
- Falling hazard: Do not allow your child to climb on the product. 
- Do not use the product unless all components are correctly fitted and adjusted.
- Do not use the product if any part is broken, torn or missing.
- Be aware of the risk of open fires and other sources of strong heat in the vicinity of the product.
- Be aware of the risk of tipping when your child can push its feet against a table or any other structure.
- Do not use until the child can sit up unaided.
- Remove all packaging and keep all components out of the reach of children when not in use.
- This product is not a toy. Strap loops can cause strangulation. Never let children play with the chair or use it unsupervised.
- This product as a highchair is intended for children able to sit up unaided and up to 3 years or a maximum weight of 15kg/33lbs.
- This product should only be used for the intended purpose for which it was designed, according to the instructions enclosed. Any other use is considered improper and therefore dangerous.
- Always hold the child securely when lifting them in or out of the chair. Make sure that the safety harness is fastened and the table is properly fixed in front of the child before you let go of them.
- Always adjust the safety harness and table snugly against the child to prevent them from climbing out of the product.
- Never attempt to move the product while the child is still in the chair.
- The product should be placed on a level, horizontal floor. To avoid the risk of the highchair tipping over, make sure that the chair's feet can slide on the floor.
- Do not place near open fires and other sources of strong heat.
- To avoid the risk of injury, ensure that the child is wearing - at a minimum - a nappy/diaper or trousers when sitting in the product.
- Never push down on the table or tray - doing so risks injuring the knees of larger children.

## CLEANING AND CARE

- Before first and after each use, clean all parts with warm, soapy water or a mild detergent.
- Do not use bleach, abrasives, solvents, harsh chemicals or scourers to clean the product, this could cause damage to the product.
- Do not store or leave in direct sunlight or near a source of heat as this could damage the product.
- Table tray is suitable for the dishwasher (max 65°C)

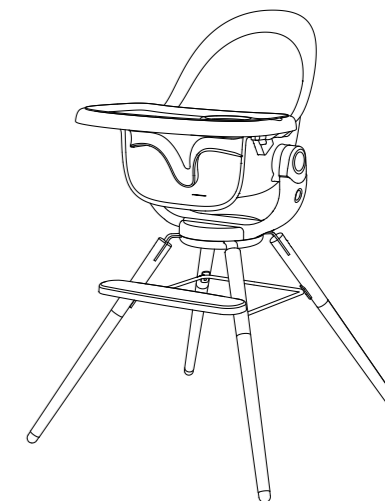
## TECHNICAL INFORMATION

- Name: Vital Baby® NOURISH™ spin 360° highchair
- SKU: 444591
- Net weight: 7.3kg
- Age: 6 months - 3 years
- Complies to EN14988

vital baby®

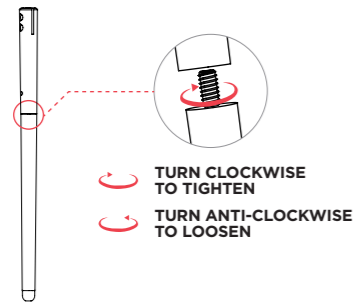
# NOURISH™

## spin 360° highchair

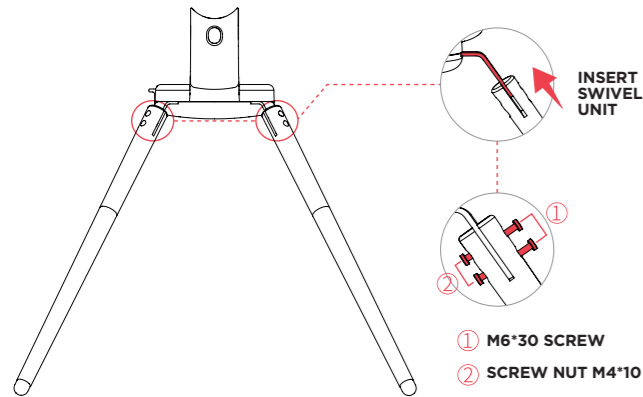


## ASSEMBLY INSTRUCTIONS - HIGHCHAIR

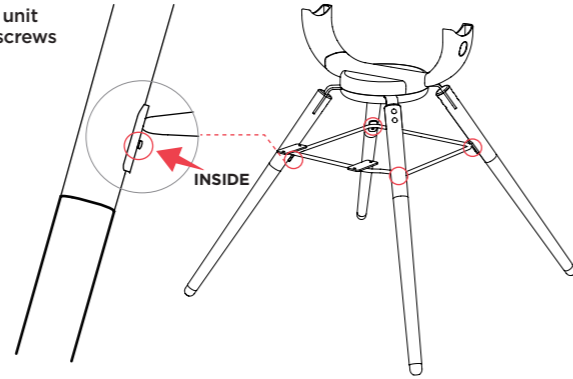
**Step 1**  
Insert upper legs (marked A B C D) into lower legs (marked A B C D) by turning clockwise.



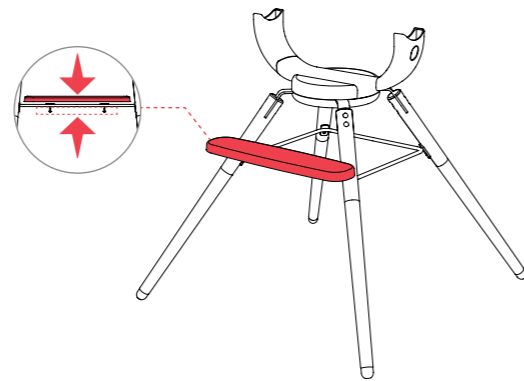
**Step 2**  
Insert the assembled legs into the swivel unit, and tighten with screw nut M4\*10 and screw M6\*30. Use both allen keys supplied to tighten on top and underneath.



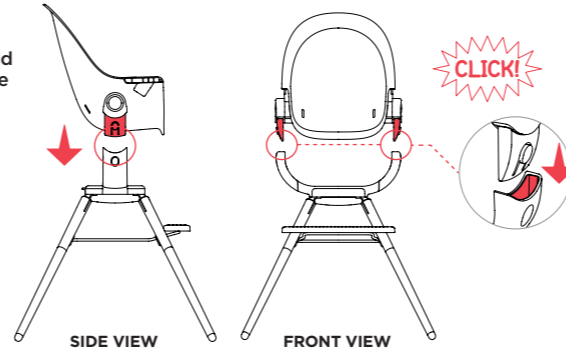
**Step 3**  
Install support unit into legs with screws M6\*20.



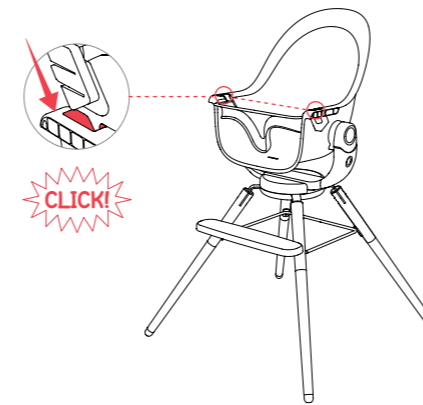
**Step 4**  
Assemble the foot rest onto the support unit, tighten with screw ST4\*16.



**Step 5**  
Insert the seat into the swivel unit, you should hear an audible click.

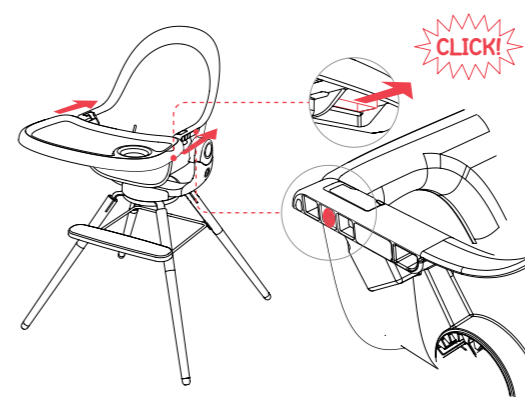


**Step 6**  
Insert t-bar into seat handle, you should hear an audible click.



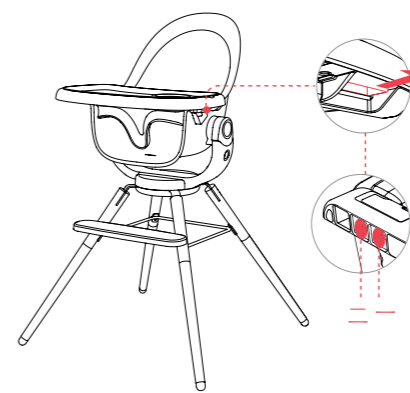
## ASSEMBLY INSTRUCTIONS - TRAY

**Step 7**  
Press and hold the buttons on the underside of the tray. Slide the tray until you hear an audible click.



There are 2 tray positions.

To remove the tray, press and hold the buttons and pull the tray away from the seat.



[www.vitalbaby.com](http://www.vitalbaby.com)

Made in China to Vital Baby® specifications. Vital Innovations Limited, Hatfield, Herts, AL10 9EW, United Kingdom. Vital Baby® is a registered trademark. NOURISH™ is a trademark. Design Rights. © Vital Innovations Ltd 2022