

TORNADO



WORTHINGTON

ASSEMBLY INSTRUCTIONS

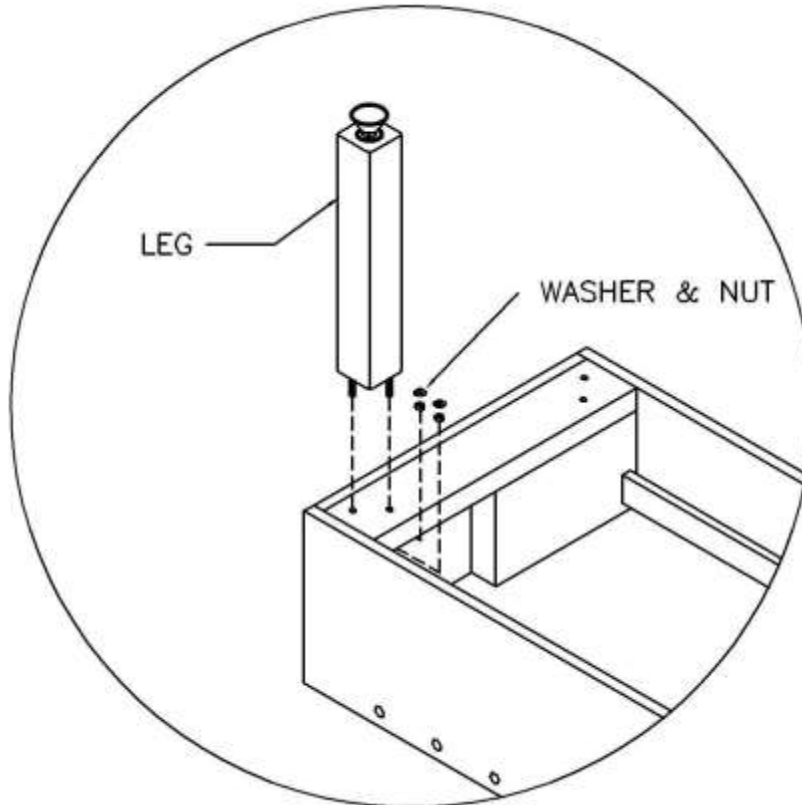
Accessory Pack Contents

• SOCCER LEG ASSEMBLY	4
• BLACK PLASTIC PLAYER w/WEIGHT	13
• YELLOW PLASTIC PLAYER w/WEIGHT	13
• TWO MAN ROD	2
• THREE MAN ROD	2
• GOALIE MAN ROD (shorter than 3 man)	2
• FIVE MAN ROD	2
• BEARING WRENCH (Elite only)	1
• MAPLE HANDLE	8
• ROD SUPPORT BLOCK (2 ¾ X 2 ¾)	1
• SOCCER BALLS	3
• SCORE POST	4
• #10 x 2 1/2 OVAL HD BLK OXIDE SCREWS	4
• BLONDE SCORE DISK	5
• BLACK SCORE DISK	5
• SCORE POST ROD	2
• ROLL PIN PUNCH	1
• ROLL PIN	26
• BUMPER	16
• RULE BOOKLET	1
• SILICONE IN 2 oz. BOTTLE	1

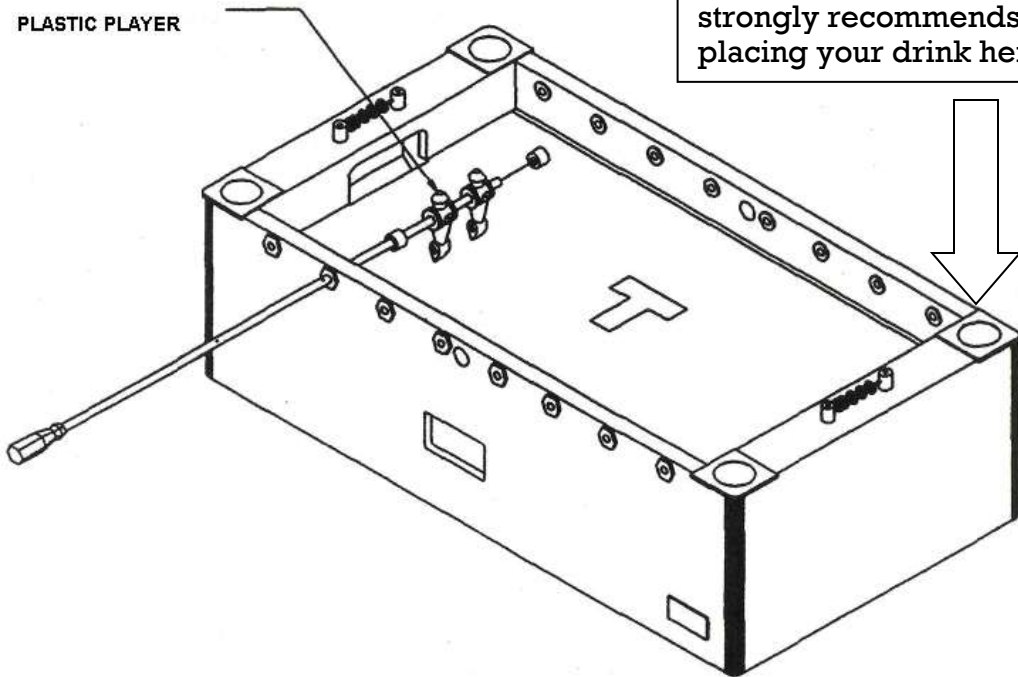
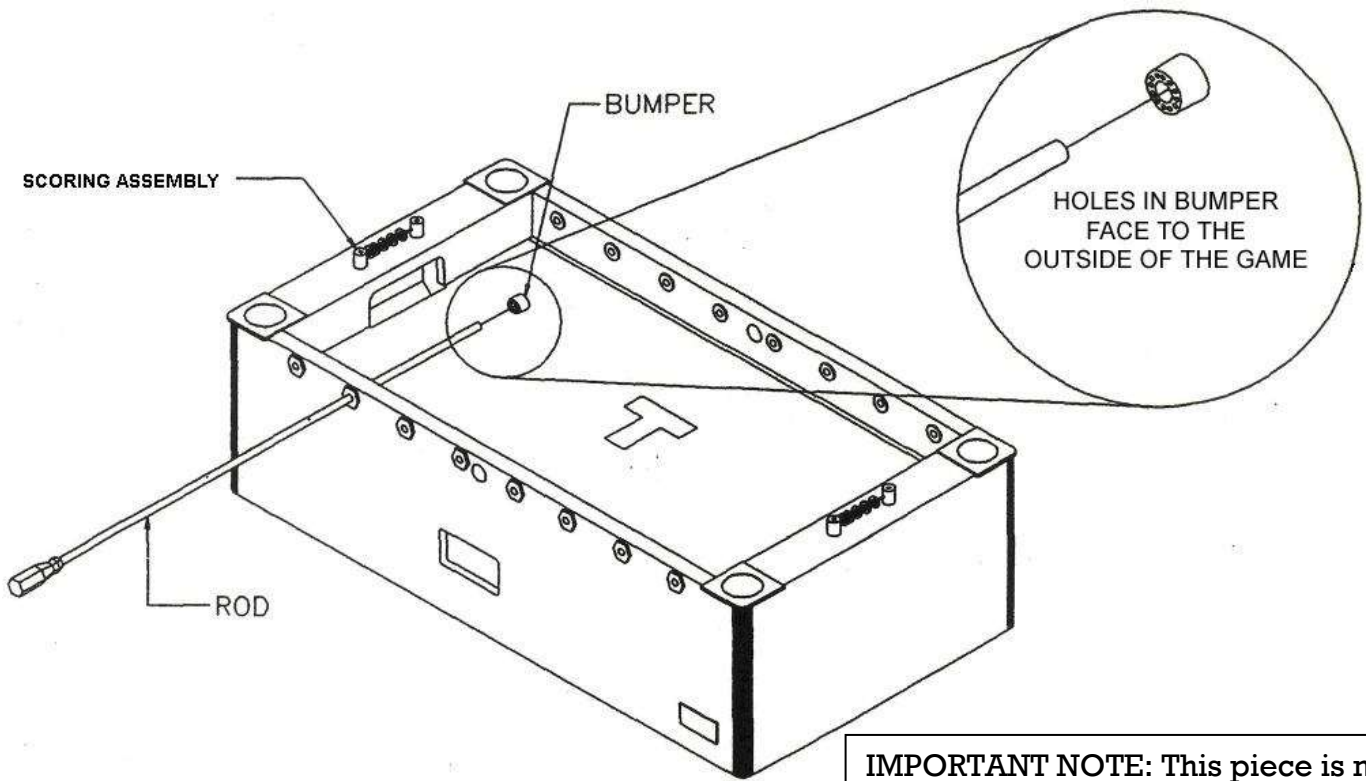
Tools Required:

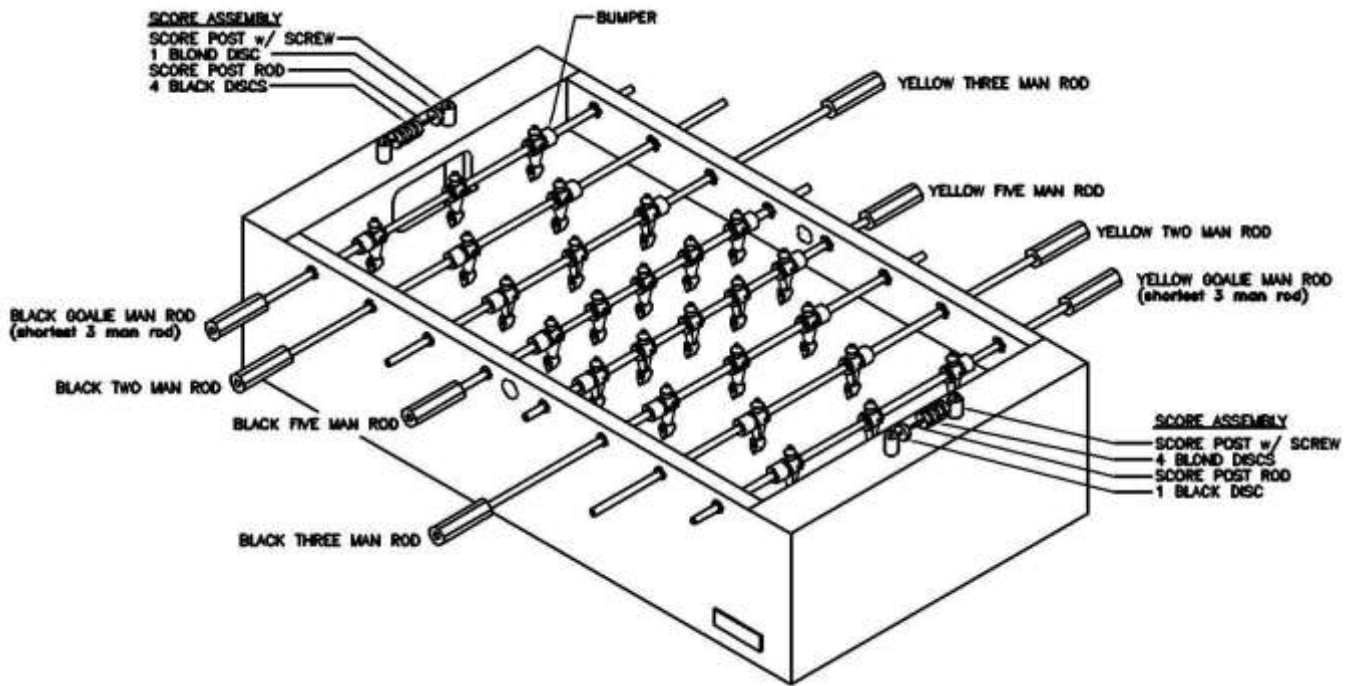
- SMALL HAMMER
- PHILLIPS SCREWDRIVER
- 9/16" BOX-END OR SOCKET WRENCH
- ALL-PURPOSE CLEANER (*Fantastik, Formula 409, Windex or equivalent*)
- CLEAN CLOTH

1. Remove all parts and accessories from parts box and check against the enclosed list.
2. Turn the table upside down, taking care not to scratch the top or bend the Corner Cap (assemble on carpet).
3. Remove the nuts and washers from each leg and insert the leg into the two diagonal holes in the bottom of the game.
4. Assemble the nuts and washers to the leg bolts and finger tighten. Make sure each leg is pulled squarely into the corner of the cabinet on all four sides, before tightening with a wrench. Be careful not to over-tighten the nuts. Make sure the Leg Levelers are screwed in all the way.
5. Have two people set the table upright. Wipe it off with a damp cloth.

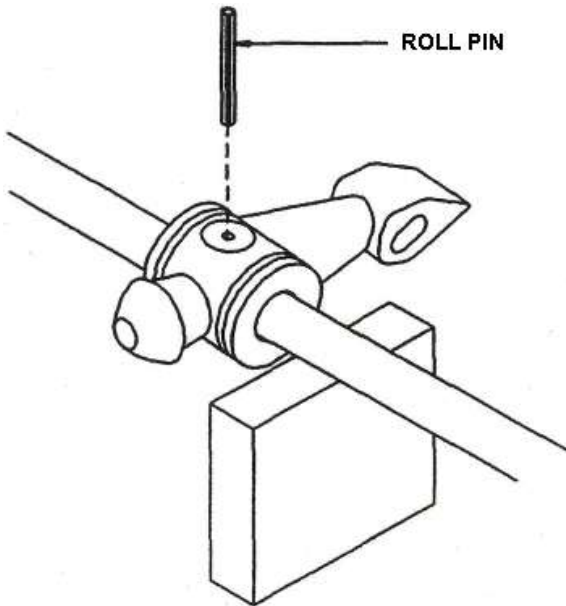


6. Thread the appropriate rods through the corresponding bearing hole (be careful, there are four 3-holed rods and the two shortest of these four rods are the goalie rods). Thread the rod through one side of the cabinet and wipe a thin coating of silicone on the rod using a cloth or paper towel. Thread one black rubber bumper onto the rod (make sure that the side of the bumper with the holes always faces the cabinet wall).
7. Thread the appropriate number of men onto each rod (smiling face of black men facing yellow goal and smiling face of yellow men facing black goal), followed by another rubber bumper on the far end. Slide the end of the rod into the bearing hole in the opposite cabinet wall.





8. To secure the men, align the holes in each man with the holes in the rod. Using the rod support block under the rod near the man, place the roll pin in the man hole (slot in the roll pin down toward the foot) and tap it through the man with a hammer, until it is flush on both sides



9. To remove the men, place the pointed end of the included roll pin punch into the roll pin and drive it out. The roll pins are reusable.

10. Mount the score assemblies at each end of the table.

11. Level the table by rotating the levelers on the bottom of each leg.

12. Lubricate the game at least once a month.

- a. Wipe each rod with a clean dry cloth.
- b. Pull the handle end of each rod out towards you and apply one drop of silicone to the top of the rod, approximately one inch from the outside of the game.
- c. Continuously spin the rod while pushing it in and pulling it out of the game.
- d. Remove any excess silicone with a clean soft cloth.

