



ISMGM511E

Instruction Manual

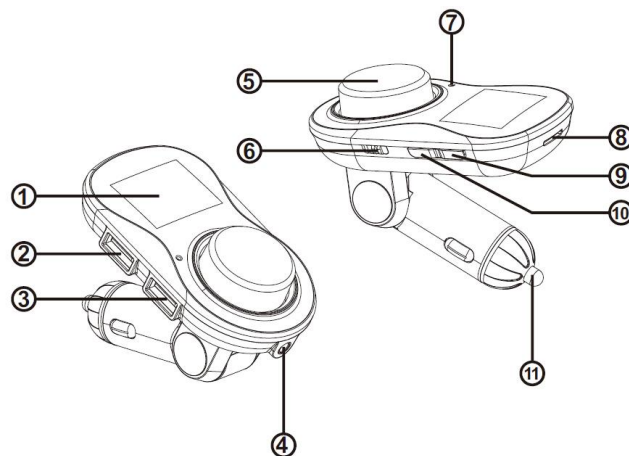
~

Product Features

- Bluetooth hands-free functionality
- A2DP music streaming
- Dual USB inputs for device charging
- Music playback via AUX input, Micro SD or USB
- LED display



Diagram



1. 1.4' LCD screen
 2. USB1, Media input, Charging output (5V/1A)
 3. USB2, Charging output (5V/2.4A)
 4. AUX (input/output) (Note: AUX functions as output when USB media, SD card or Bluetooth is playing music; as input when USB media, SD card or Bluetooth is not playing music).
 5. Multi-function knob. Short press - pause/play. Long press – source. Rotate – Volume +/-.
- After connecting to Bluetooth, short press to answer/hang up call, double press to redial, long press on incoming call to reject, long press during a call to switch to private answering.
6. Power on/off
 7. Microphone
 8. Micro SD card slot
 9. Track – (short press), Freq + (long press)
 10. Track + (short press), Freq - (long press)
 11. 12V Power Socket

User Guide

Set-up

- Insert the Product into the 12v socket and turn on via the power switch.
- The LCD display will show battery voltage and then enter Bluetooth mode.
- Adjust the frequency of the car radio to the same frequency as the product.
- On the mobile device, turn on Bluetooth and connect to 'Carkit'.

Music Streaming

Music can now be streamed from the phone via A2DP and will be output through the vehicle speakers. Use the multi-function knob (5) to pause or play music and adjust volume. Use the track buttons (9), (10), to change song.

Handsfree Functionality

Short press the multi-function knob (5) to answer an incoming call or long press to reject. Whilst on a call, short press to end the call or long press to switch to private answering mode. Double press to redial the most recently dialed number.

USB Mode

Insert a USB drive into the USB1 input. The Product will automatically play music files found on the drive. Single press the multi-function knob (5) to pause/play music and change songs with the track buttons (9), (10).

Micro SD Mode

Insert a Micro SD card into the Micro SD input. The Product will automatically play music files found on the card. Single press the multi-function knob (5) to pause/play music and change songs with the track buttons (9), (10).

Adjusting the Frequency

After turning on the Product, long press <</> to enter frequency adjust mode. Then use <</> to adjust the frequency up and down. Note: Long press <</> to adjust frequency fast and short press to adjust slowly.

Changing Modes

When Bluetooth is connected and a combination of Micro SD card/USB drive/AUX are inserted at the same time, long press the multi-function knob (5) to switch mode.

Technical Specification

Rated Working Voltage	12V – 24V
Limit Working Voltage	8V – 27V
USB Output	Dual USB Output (Max: 5V/3.4A)
Working Temperature	0-60°C
Charging ID	USB2 support 5V/2.4A
Battery Voltage Display Accuracy	±1V
SNR	>60dB
Degree of Distortion	<0.1%
Frequency Response	20Hz-15Khz
Left/Right Channel	>60dB
Bluetooth Version	Version 4.2+EDR
Bluetooth Sound Processing	A2DP supported
Bluetooth Transmission Distance	Barrier-free within 10m
Effective Distance of Bluetooth Microphone	0.5-2m
FM Frequency	87.5-108.0Mhz
FM Mode	Stereo digital PLL frequency locking