

grad®

KNEKASH PRO

ביצוע פרויקטים אדריכליים

GRAD® FOR DECKING

General Installation Guide
for Decking



SUMMARY

Before you start	3
Type of ground	4
Rails + Accessories	5
Non Load-bearing rails	5
Load-bearing rails	10
Plan the deck	16
Assemble pedestals	17
Snap pedestals on rails	18
Installing the rails with pedestals + spanners	19
Level the Structure	21
Fix Top Cubes + skirting boards	22
Adapt the structure	24
Snap boards on clips	26



Davit Arican on the Grad® system

WATCH ON YOUTUBE



Discover the Grad® Concept Box

WATCH ON YOUTUBE



Screws vs the Grad® Clip

WATCH ON YOUTUBE

BEFORE YOU START

Transportation & Storage

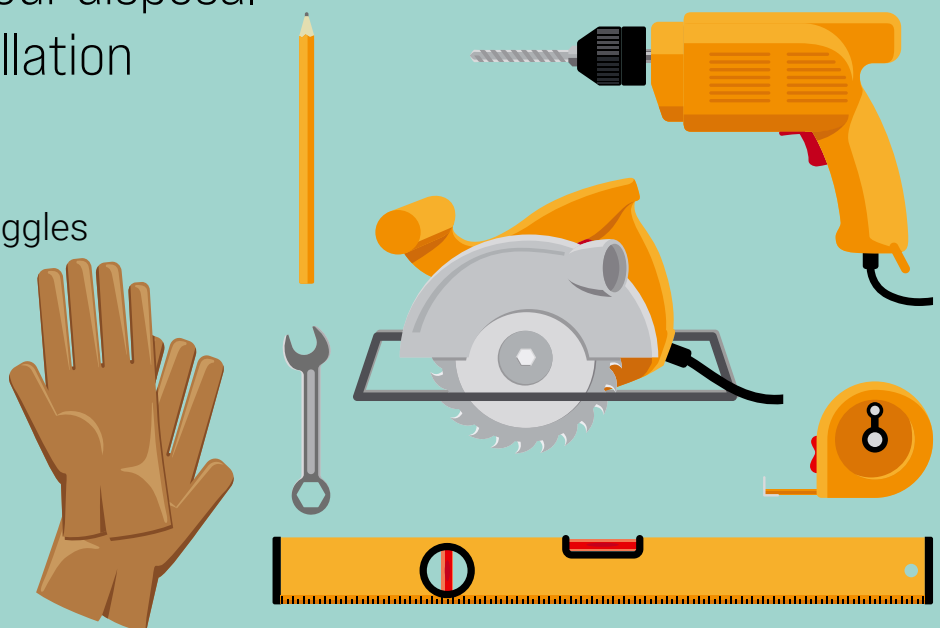
- When transported, the Grad® rails should be secured in their original packaging and should be stored indoors before installation.
- Grad® rails can be stored outdoors for short periods of time just before being used
- For decking boards storage and installation, always refer to guidelines from manufacturers
- Only material that has been grooved to Grad's specifications can be used with Grad® rails
- No heavy object should be stored on top of the rails to avoid possible damage and/or distortion of the rails.

Safety Guidelines

- Wear protective clothing and safety equipment such as safety glasses, gloves, long sleeves, and a mask, particularly when cutting aluminum
- The installer is responsible for identifying and following all building codes and construction safety practices
- Grad® accepts no liability or responsibility for the improper installation of this product
- Grad® recommends that all applications be reviewed by a licensed architect, engineer or local building official before installation.

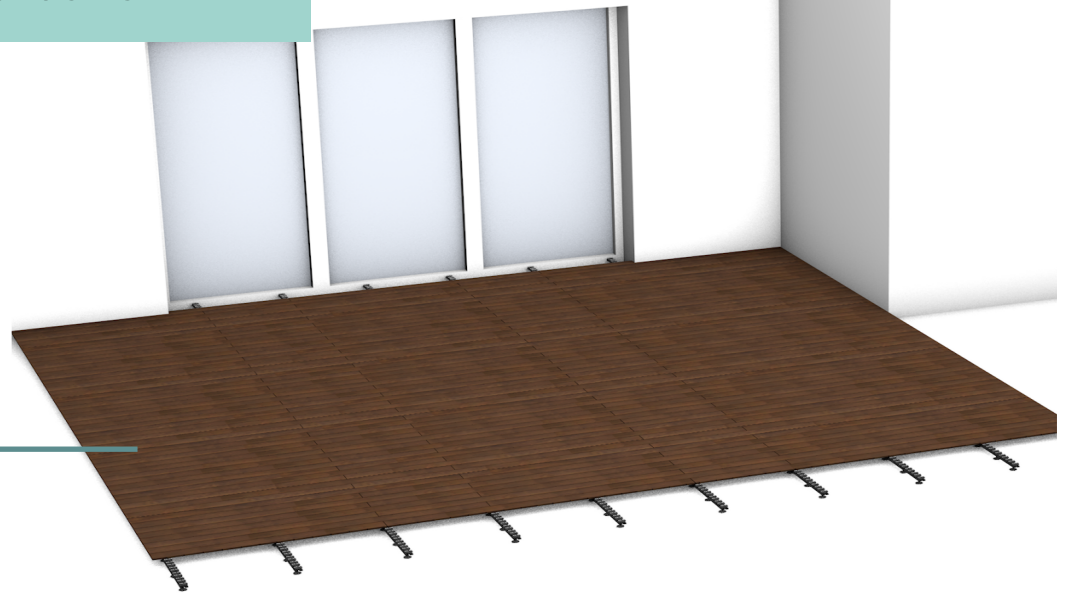
Tools to have at your disposal for the deck installation

- Measuring tape
- Pencil
- Safety gloves + goggles
- Ear protection
- Wrench
- Level
- Drill
- Saw
- Table saw



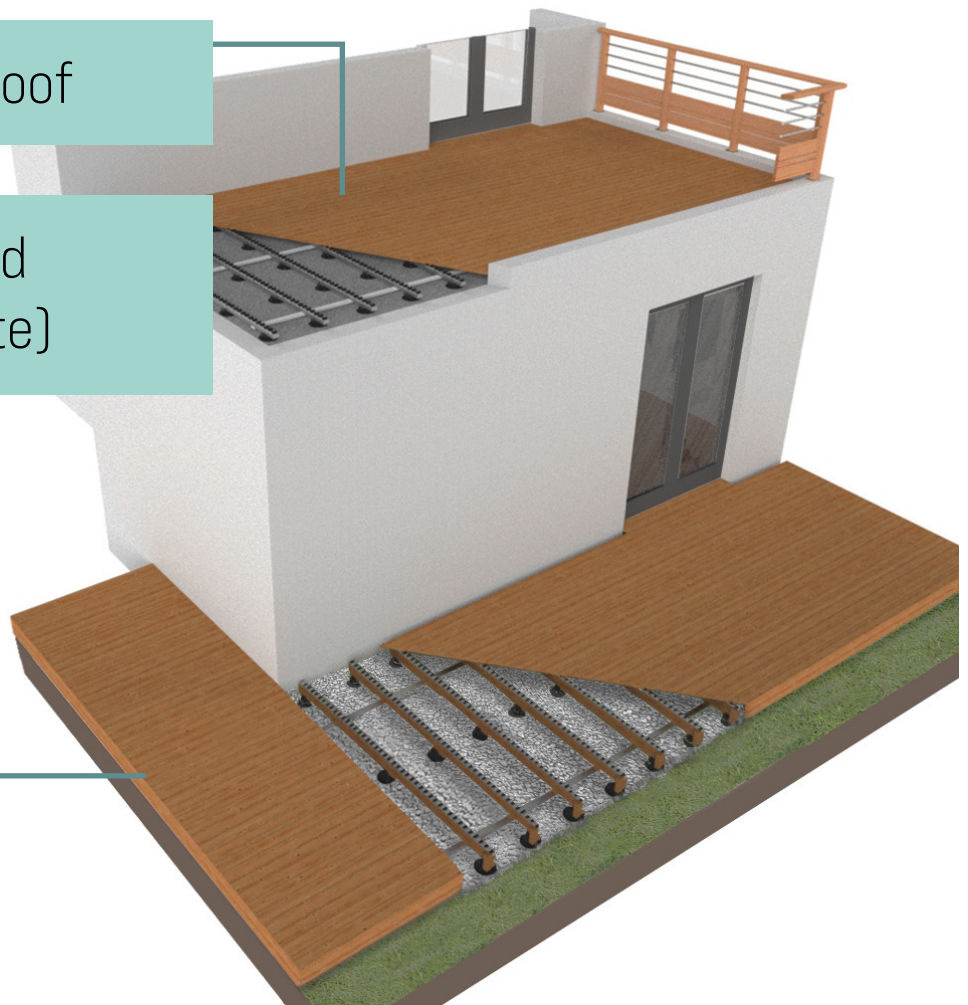
TYPE OF GROUND

Stable Ground



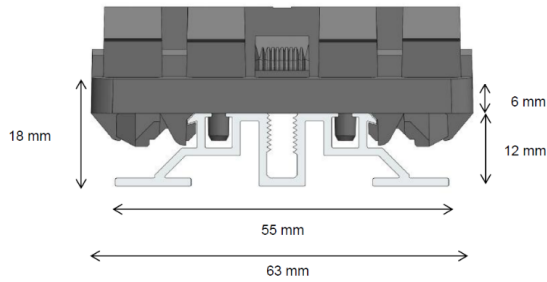
Waterproof Roof

Hard Ground
(ex.: concrete)

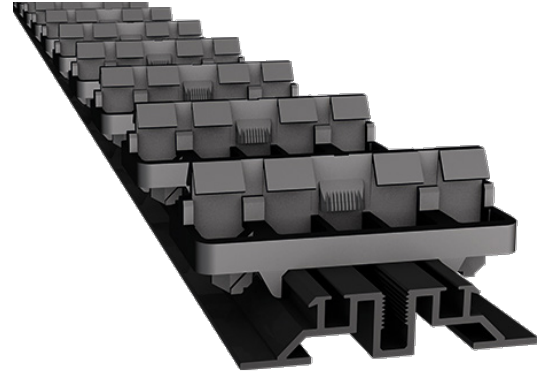


NON LOAD-BEARING RAILS + ACCESSORIES

Flat Rail

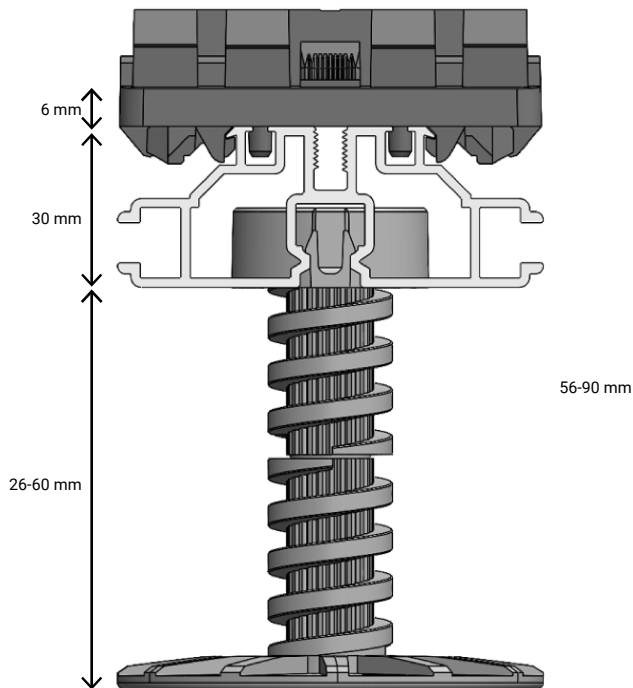


Height of the rail without boards is 18 mm

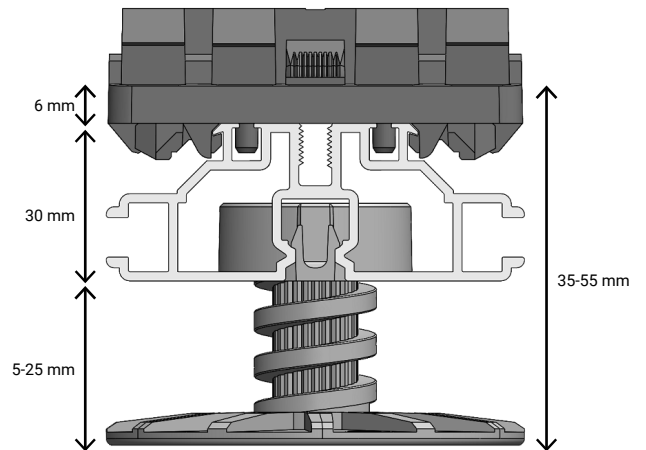


18

Top Rail



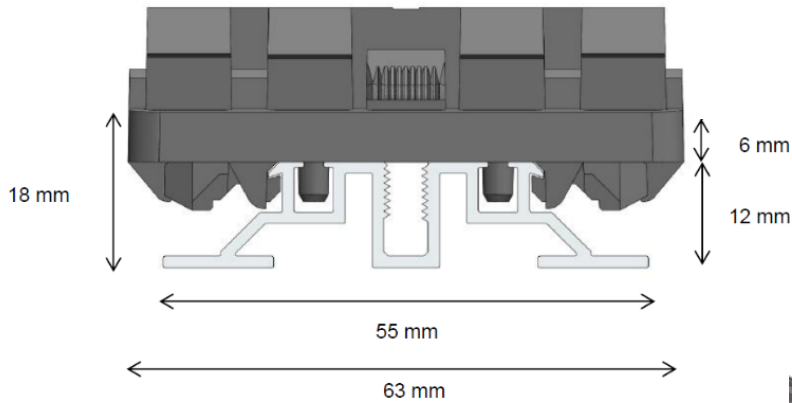
The height of the rail without boards is between 30 and 90 mm



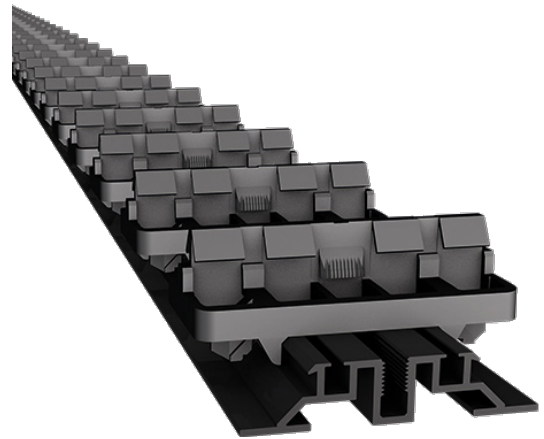
90
^
30

FLAT RAIL

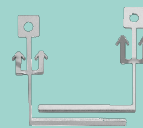
on hard ground



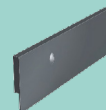
WATCH ON YOUTUBE



Accessories



968: Disassembly keys 120
1784: Disassembly keys 155



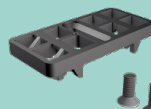
967: Alu skirting



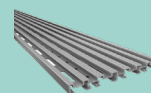
1220: Rubber strip 2mm
1221: Rubber strip 4mm



1488: Top Link S, 120
1489: Top Link L, 145/155



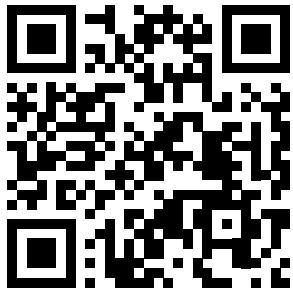
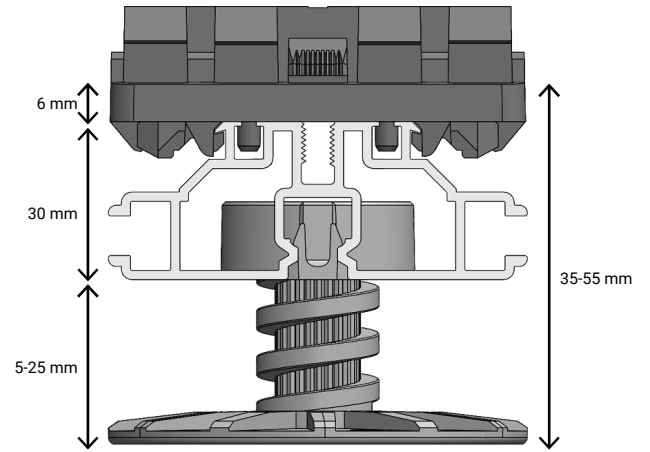
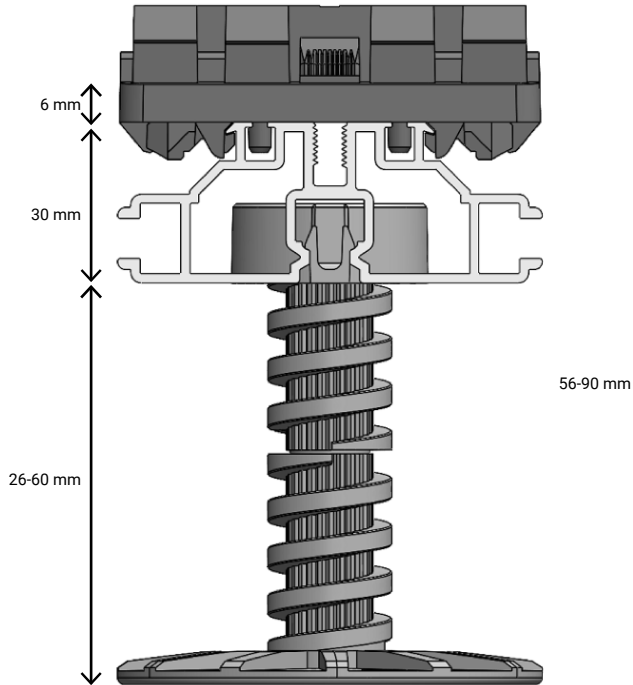
1486: Wedge clip



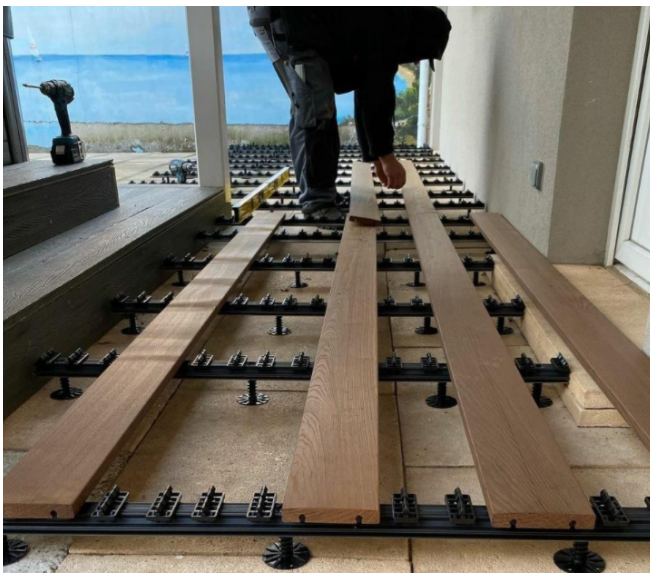
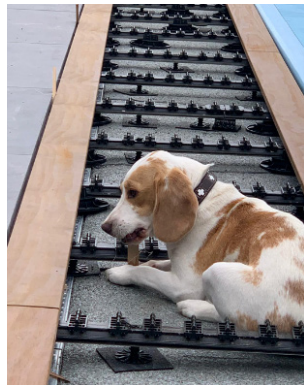
1516: Ventilation plate

TOP RAIL

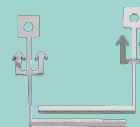
on hard ground



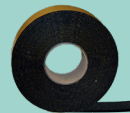
WATCH ON YOUTUBE



Accessories



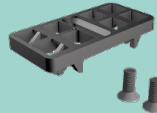
968: Disassembly keys 120
1784: Disassembly keys 155



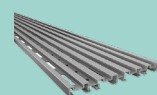
1220: Rubber strip 2mm
1221: Rubber strip 4mm



1488: Top Link S, 120
1489: Top Link L, 145/155



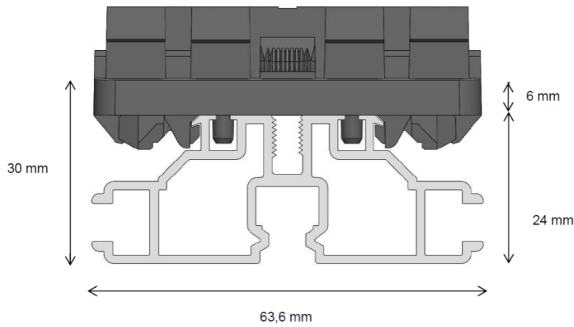
1486: Wedge clip



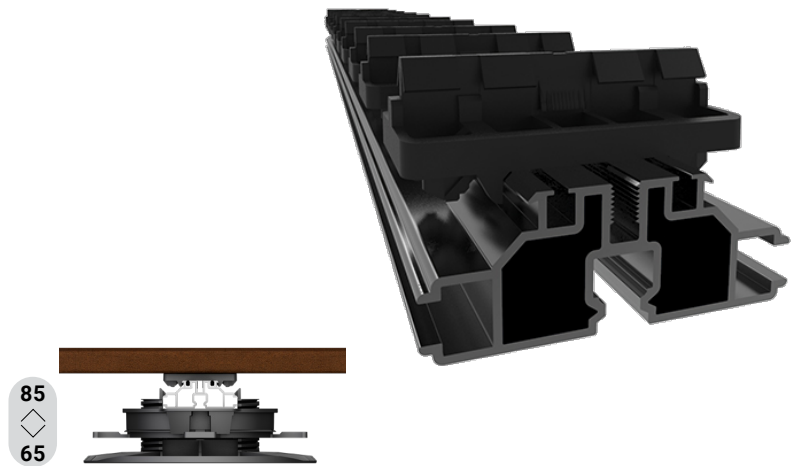
1516: Ventilation plate

LOAD-BEARING RAILS + ACCESSORIES

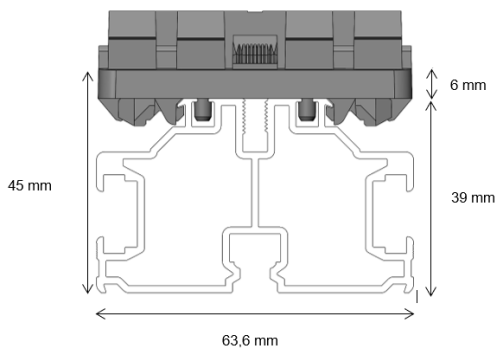
PR24



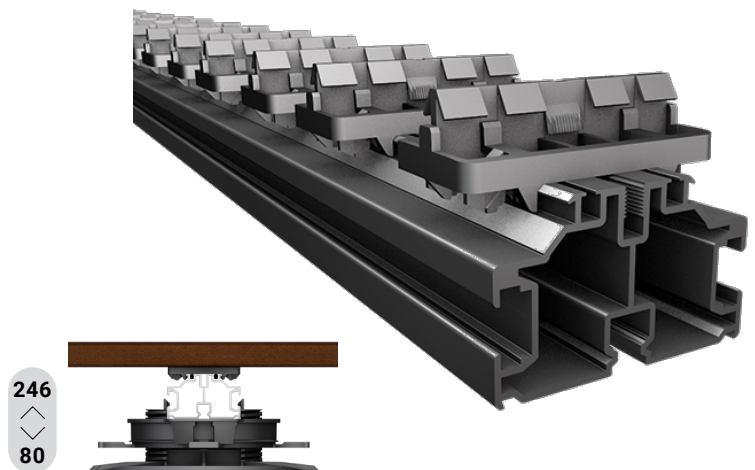
The height of the rail without boards or pedestals is 30 mm



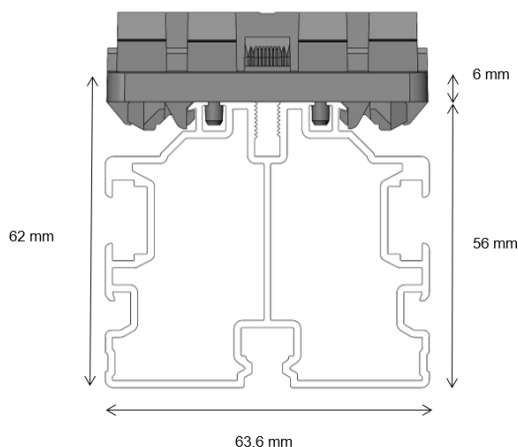
PR39



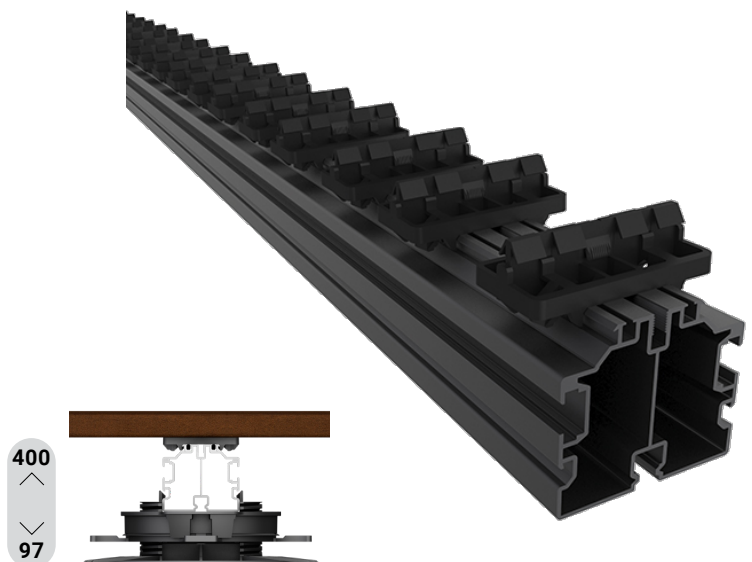
The height of the rail without boards or pedestals is 45 mm



PR56

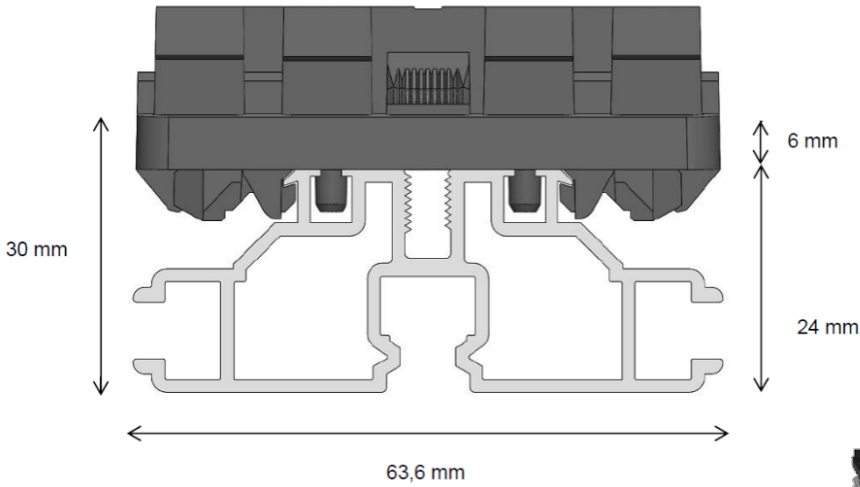


The height of the rail without boards or pedestals is 62 mm

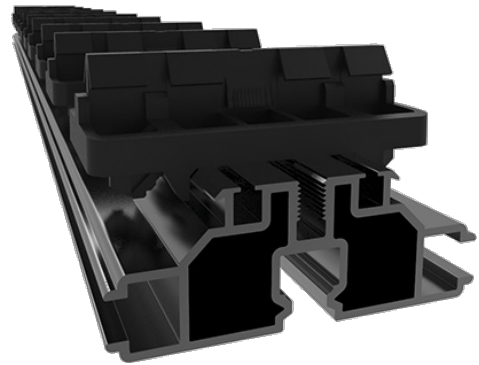


PR24

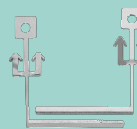
on all types of ground



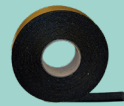
WATCH ON YOUTUBE



Accessories



968: Disassembly keys 120
1784: Disassembly keys 155



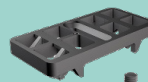
1220: Rubber strip 2mm
1221: Rubber strip 4mm



1181: Top Lift Pedestal



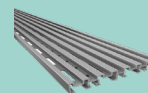
1488: Top Link S, 120
1489: Top Link L, 145/155



1486: Wedge clip



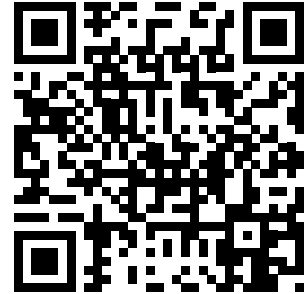
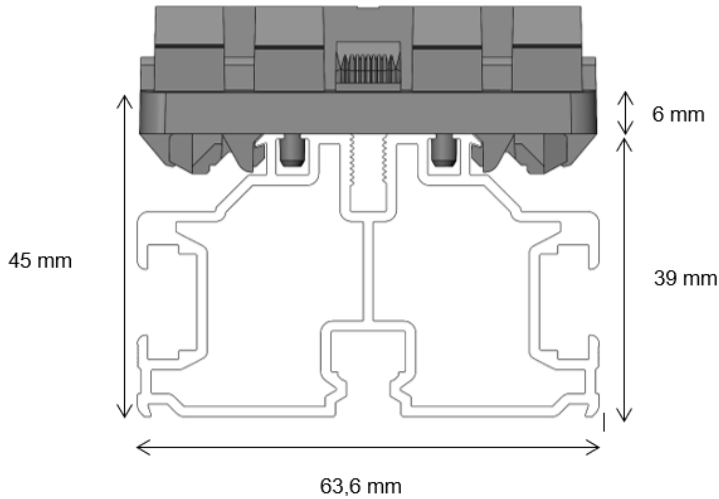
1516: Ventilation plate



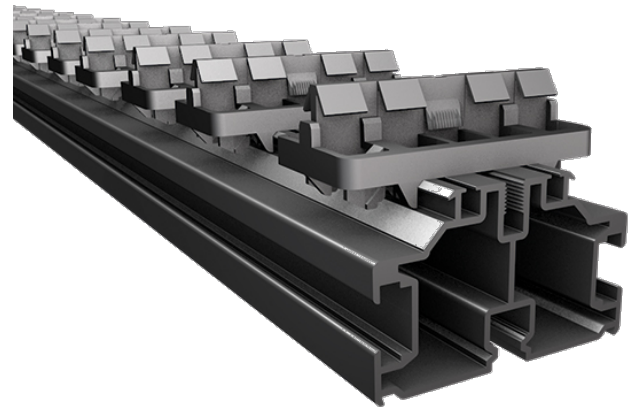
*This rail is not compatible with the Top Cube

PR39

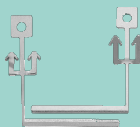
on all types of ground



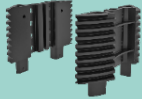
WATCH ON YOUTUBE



Accessories



968: Disassembly keys 120
1784: Disassembly keys 155



1641: Boosters Up+



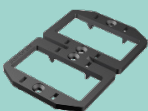
1499: Top+ Stabiliser



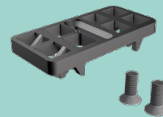
1220: Rubber strip 2mm
1221: Rubber strip 4mm



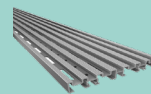
1181: Top Lift Pedestal



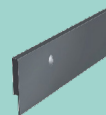
1488: Top Link S, 120
1489: Top Link L, 145/155



1486: Wedge clip



1516: Ventilation plate



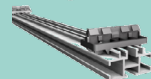
1205: Alu skirting 15cm
1206: Alu skirting 10cm



1498: Top Cube



1503: Kit for angles



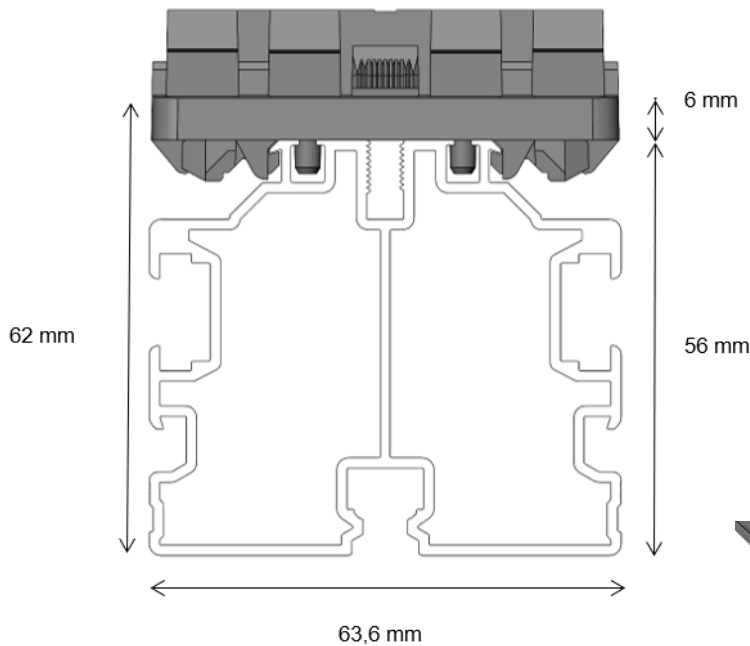
1522: Spanner



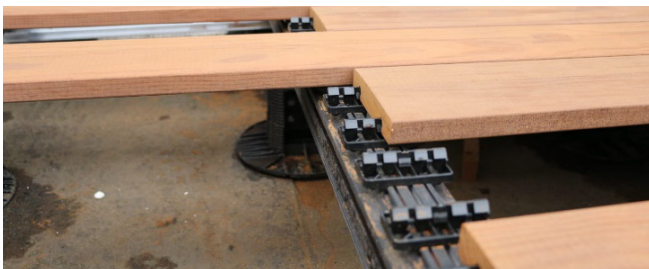
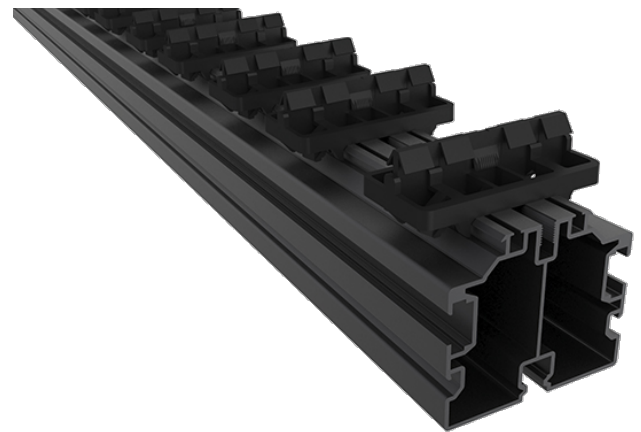
1473: B1 Skirting (one board)
1474: B2 Skirting (two boards)
1476: B3 Skirting (three boards)

PR56

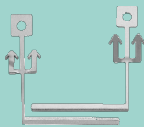
on all types of ground



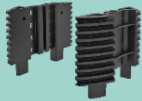
WATCH ON YOUTUBE



Accessories



968: Disassembly keys 120
1784: Disassembly keys 155



1641: Boosters Up+



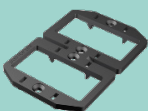
1499: Top+ Stabiliser



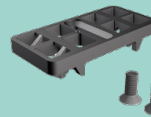
1220: Rubber strip 2mm
1221: Rubber strip 4mm



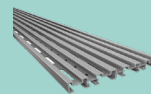
1181: Top Lift Pedestal



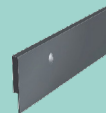
1488: Top Link S, 120
1489: Top Link L, 145/155



1486: Wedge clip



1516: Ventilation plate



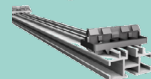
1205: Alu skirting 15cm
1206: Alu skirting 10cm



1498: Top Cube



1503: Kit for angles



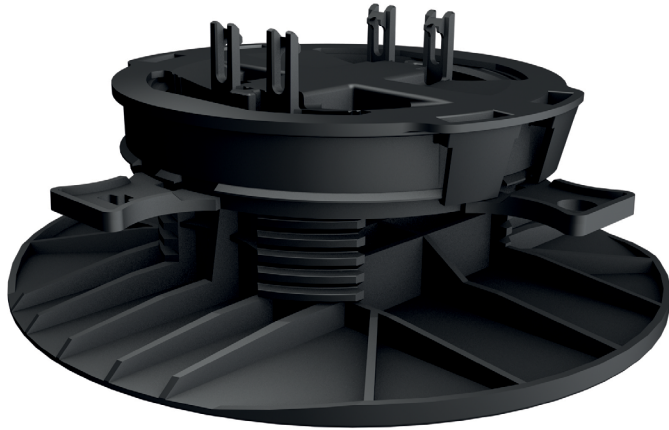
1522: Spanner



1473: B1 Skirting (one board)
1474: B2 Skirting (two boards)
1476: B3 Skirting (three boards)

ACCESSORIES

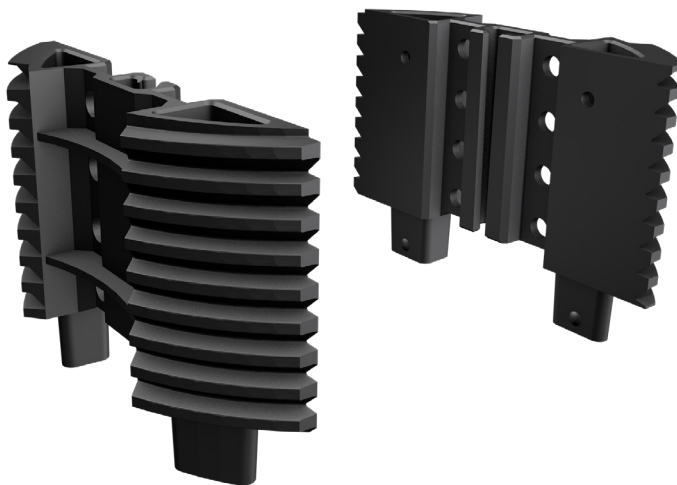
Top Lift, UP+ Boosters & TOP+ Stabiliser



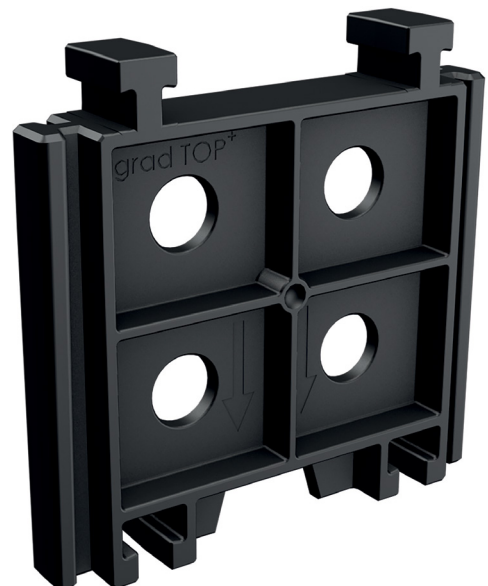
TOP LIFT



WATCH ON YOUTUBE



UP+ BOOSTERS



TOP+ SUPPORTS



ACCESSORIES

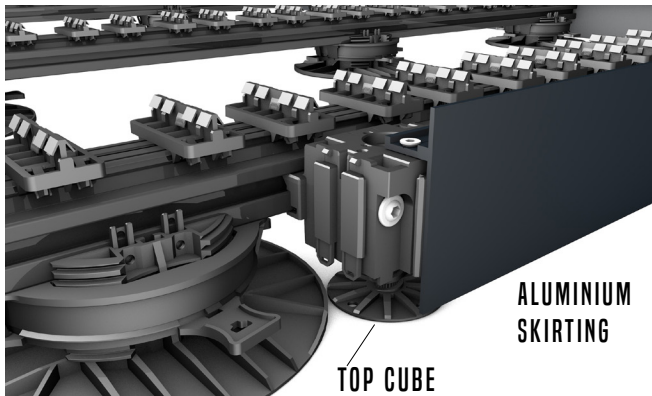
Spanners, Top Cube & Aluminium Skirting



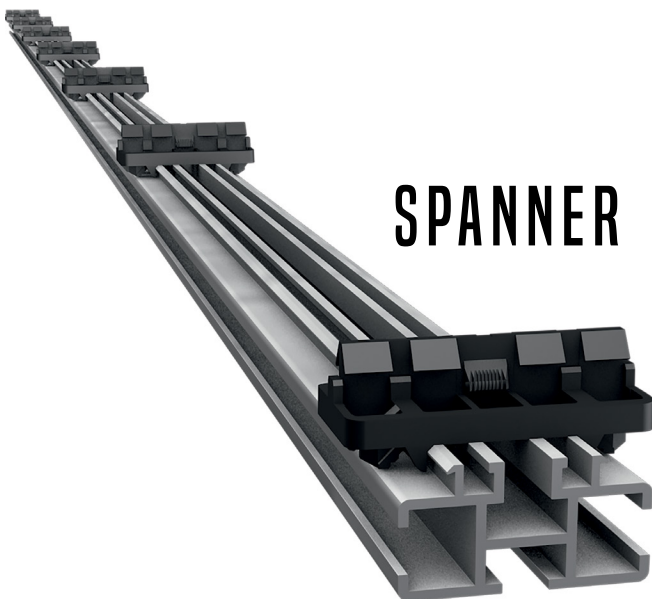
TOP CUBE



WATCH ON YOUTUBE



ALU SKIRTING



SPANNER



SKIRTING SUPPORT

PLAN THE DECK

Step 1 → Assemble pedestals

The configurations



Basic model:
35 to 55 mm



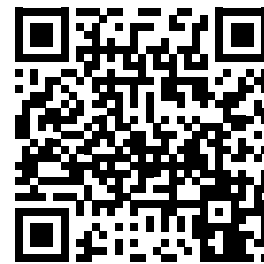
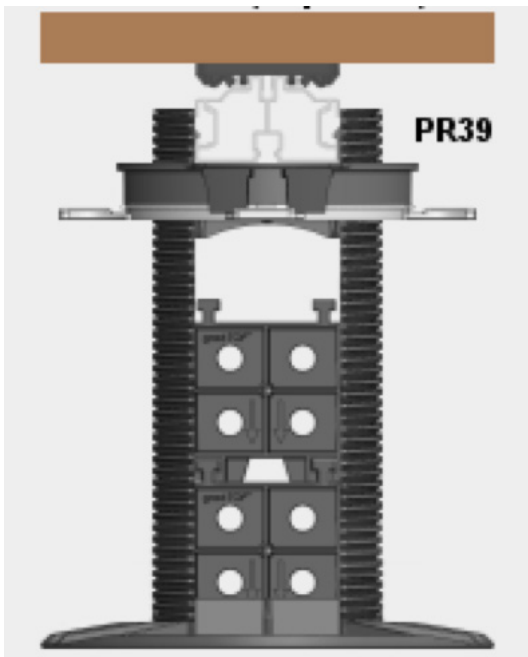
Basic model +
1 pair of boosters:
up to 100 mm



Basic model +
2 pairs of boosters:
up to 145 mm



Basic model +
3 pairs of boosters:
up to 190 mm



WATCH ON YOUTUBE

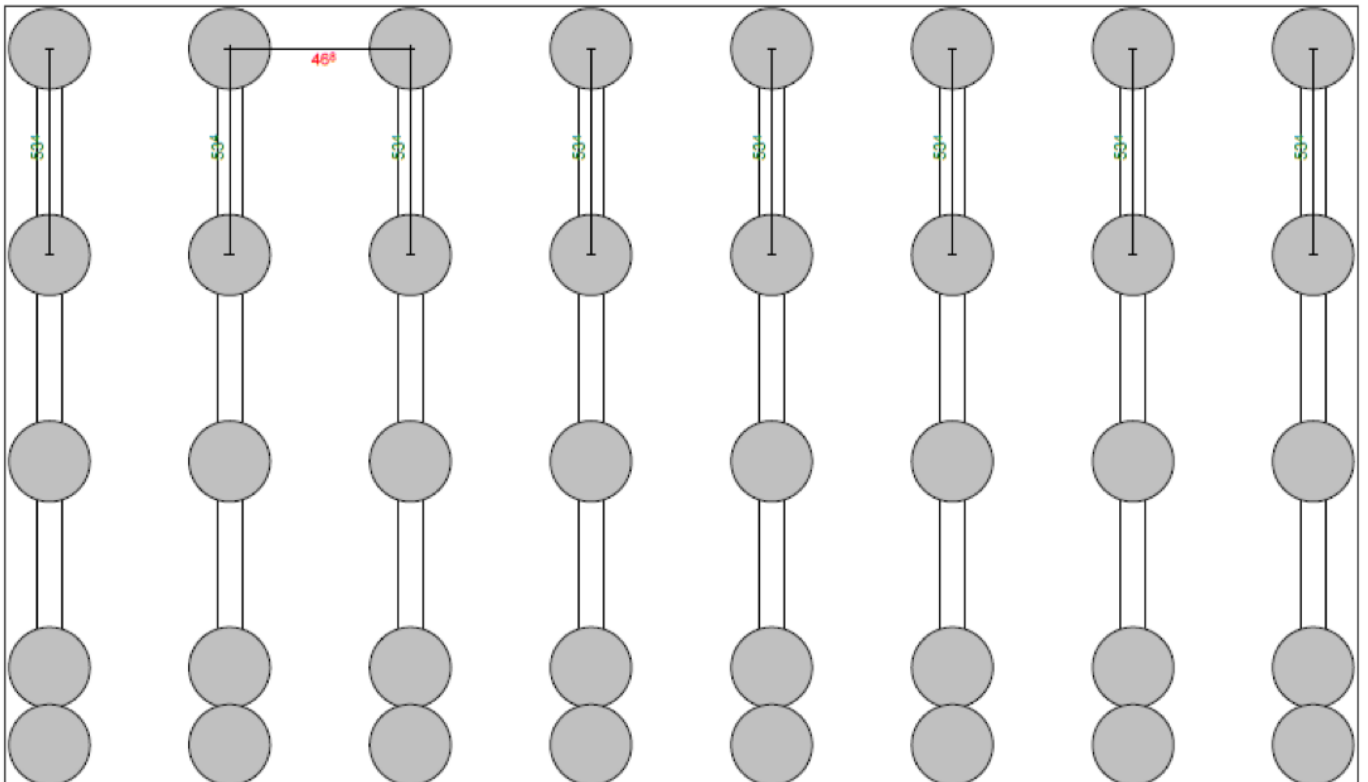
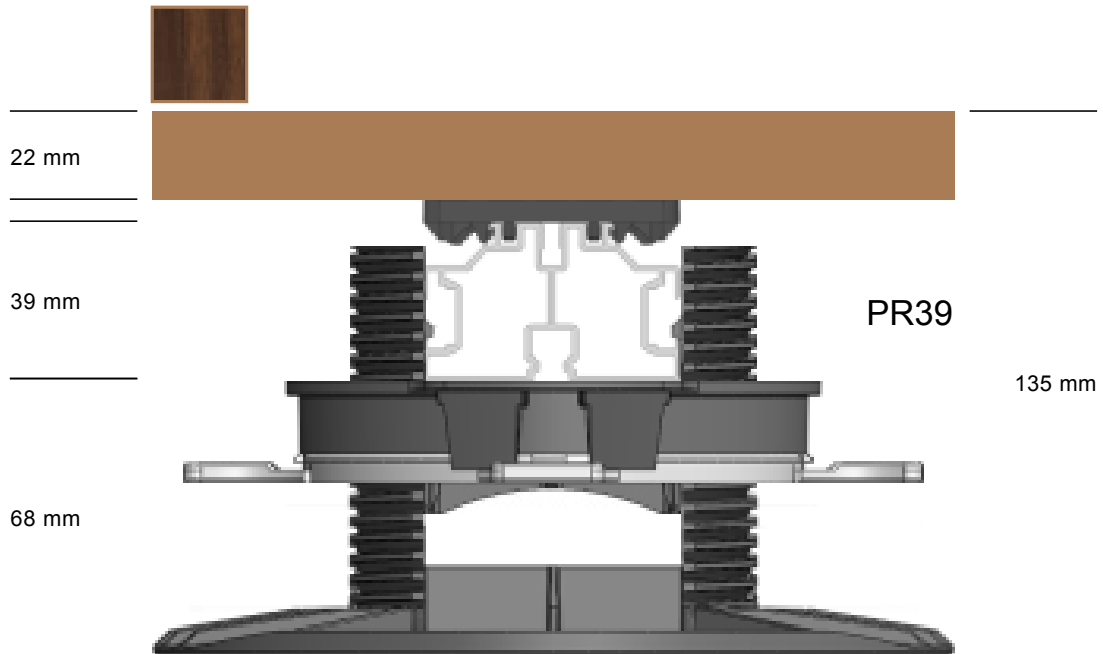


For height superior to 190 mm, it is necessary to add Stiffners

Basic model + 4 pairs of boosters or more + Stiffners TOP+ : 35 to 400 mm

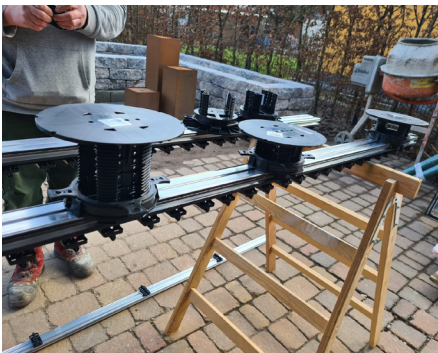
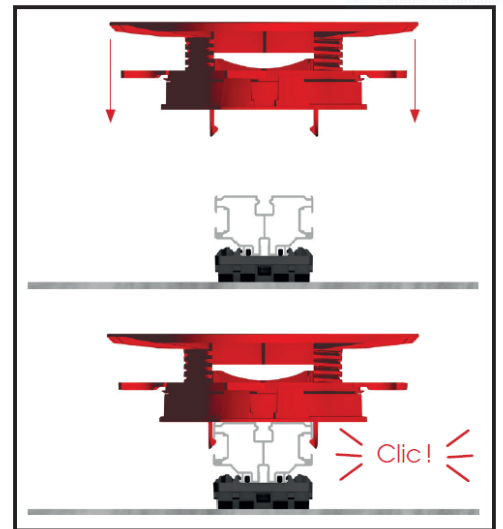
PLAN THE DECK

Step 1 → Assemble pedestals



PLAN THE DECK

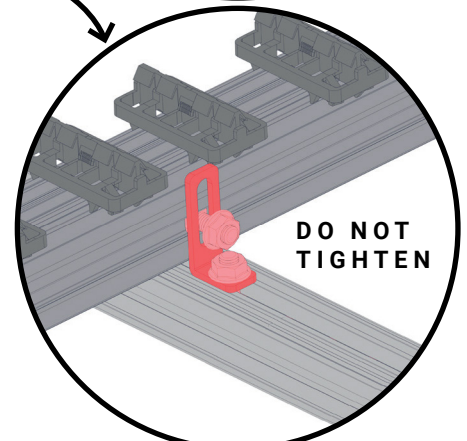
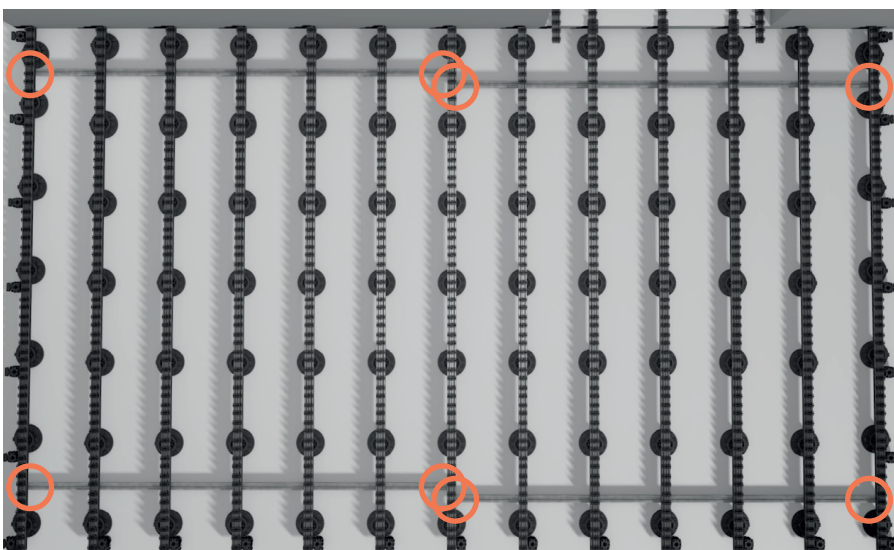
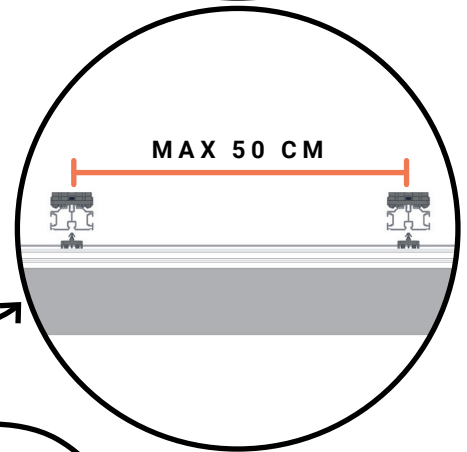
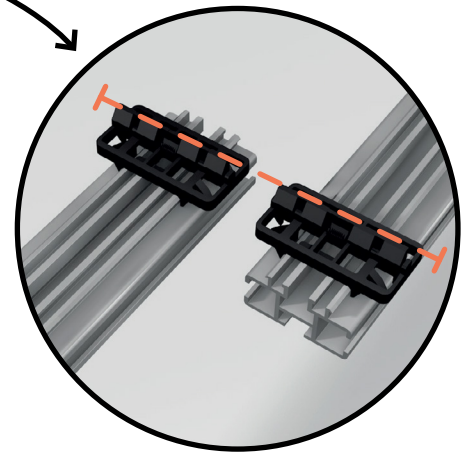
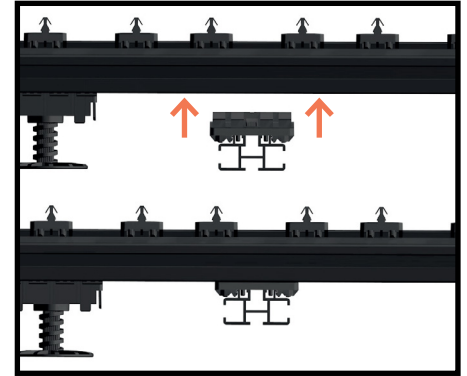
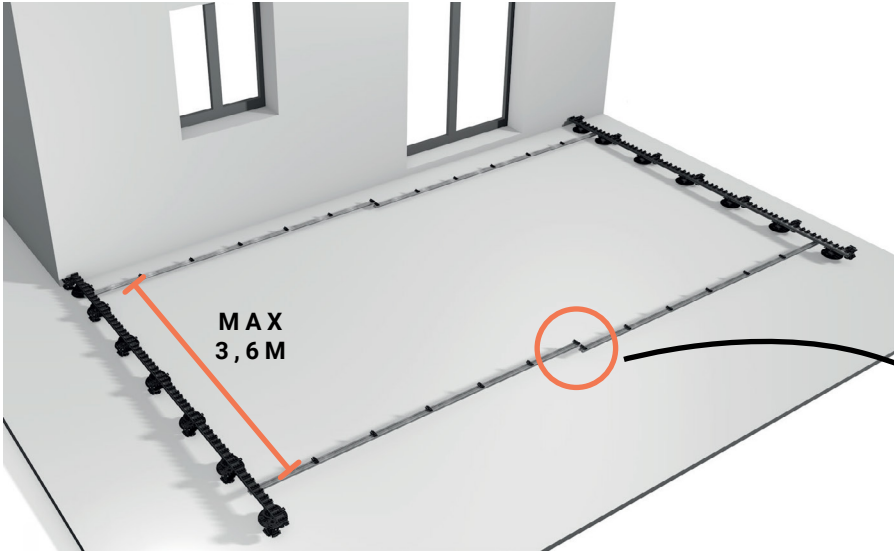
Step 2 → Snap pedestals on rails



INSTALLING THE RAILS

with pedestals + spanners

Assemble the structure:



INSTALLING THE RAILS

with pedestals + spanners



Place the spanners on the floor

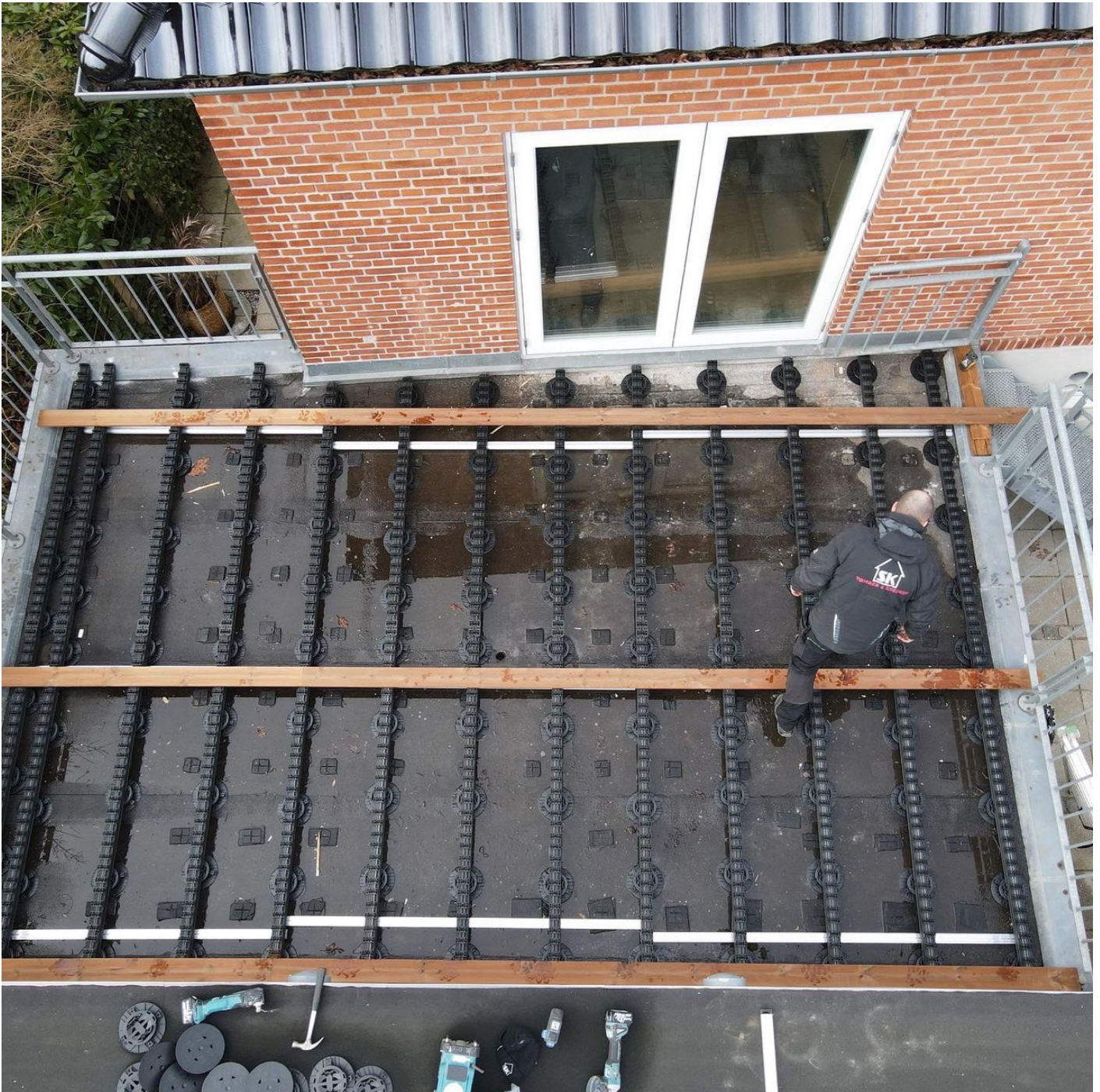


Place the rails according to the drawing.



Snap on the spanners under the rails

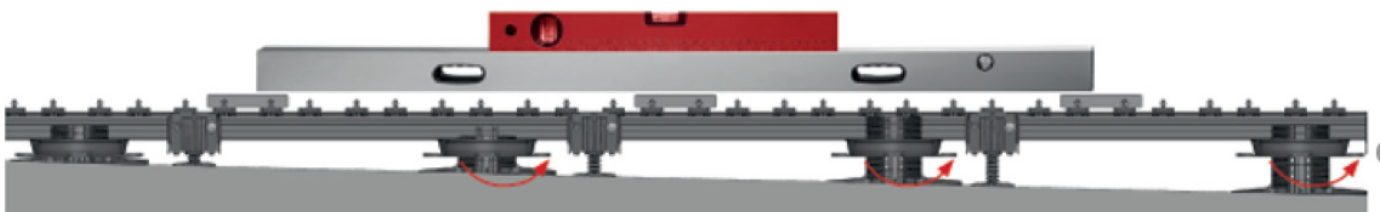
LEVEL THE STRUCTURE



For curved planks, the structure must be completely level



For flat planks, the structure must have a 2%

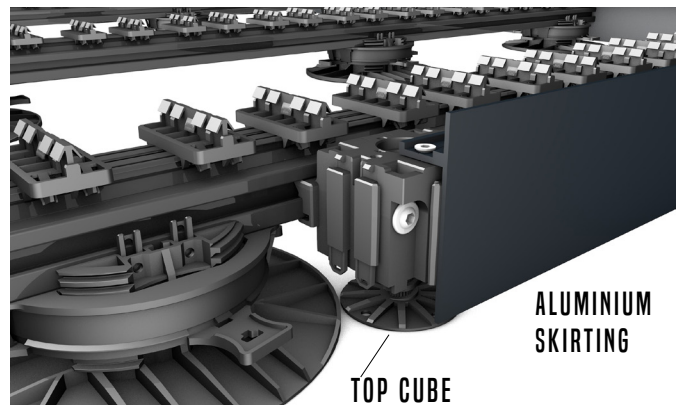
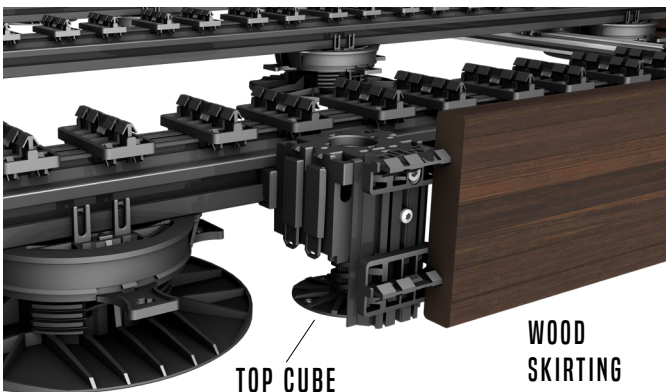
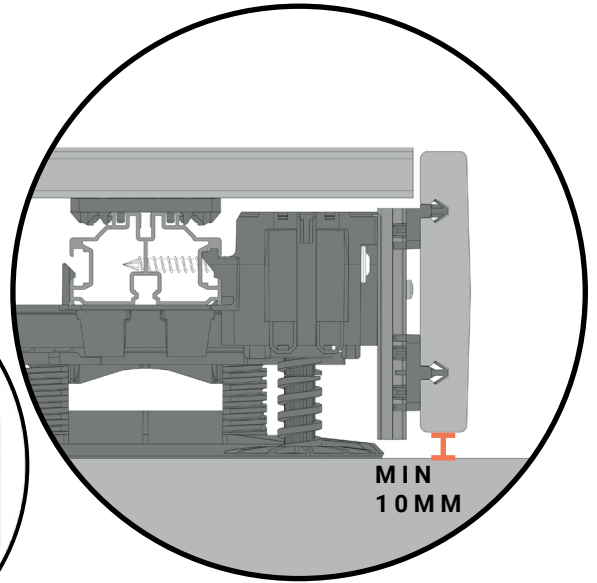
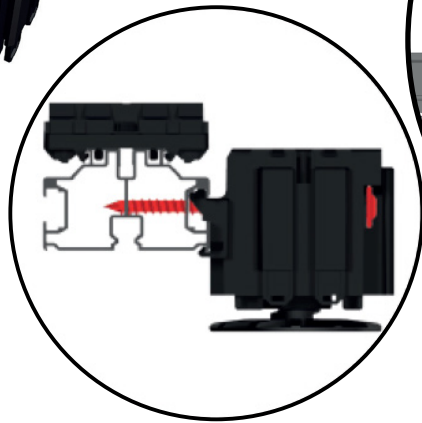
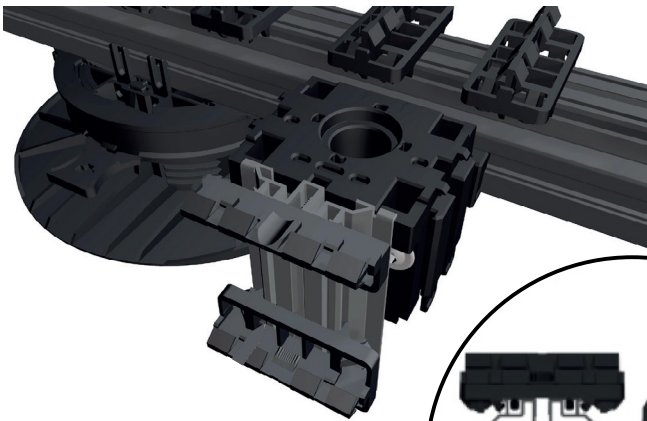
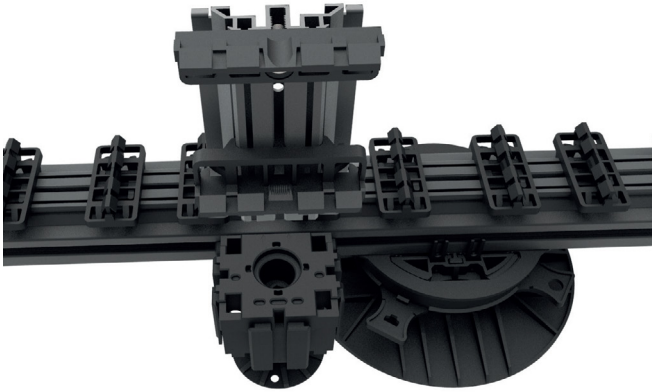


FIX TOP CUBES + SKIRTING BOARDS

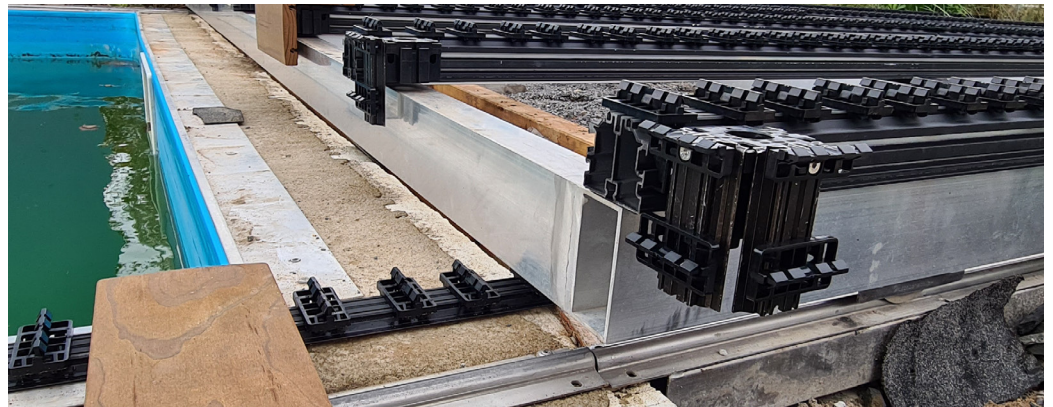
Fasten the finishing timber plank



WATCH ON YOUTUBE



FIX TOP CUBES + SKIRTING BOARDS

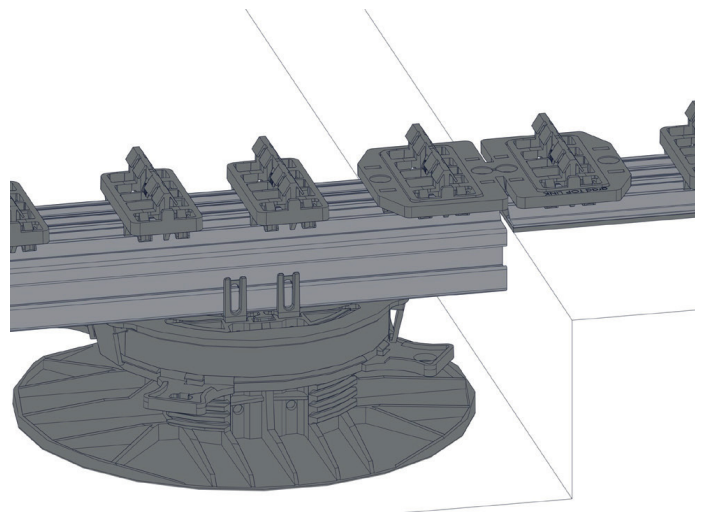
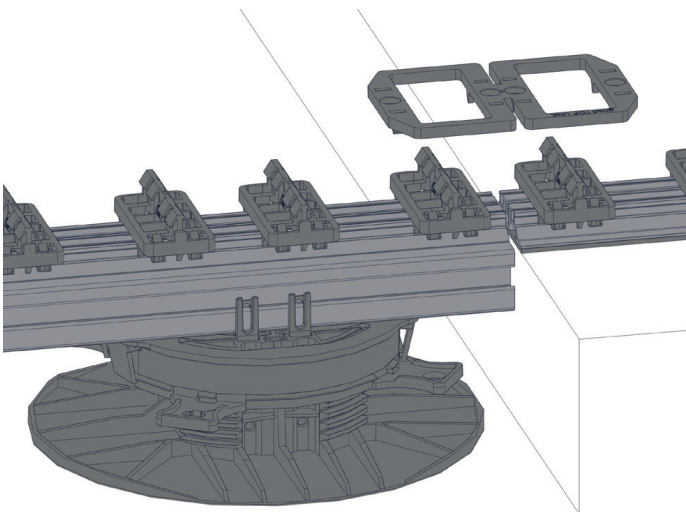
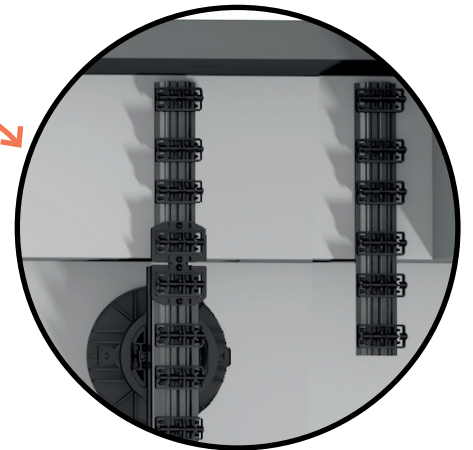
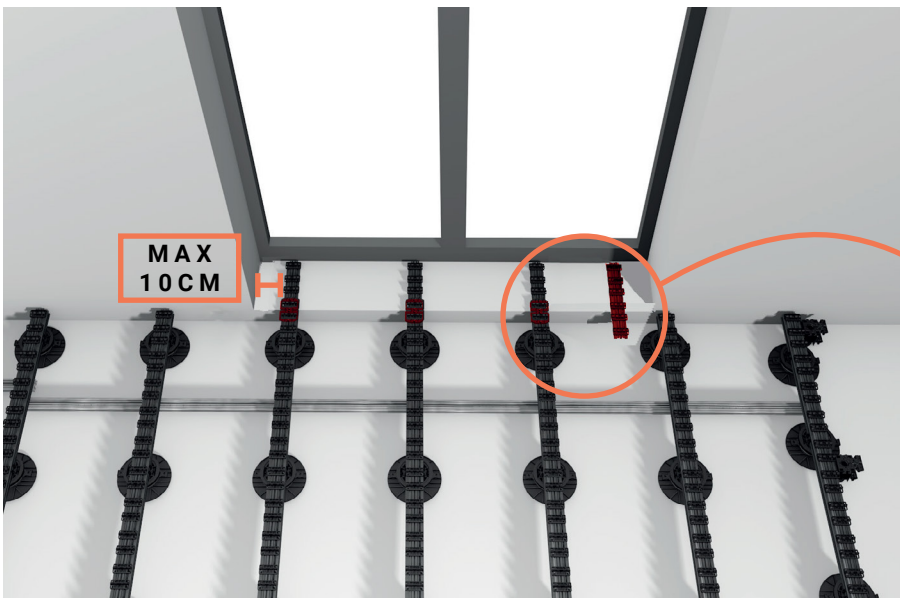
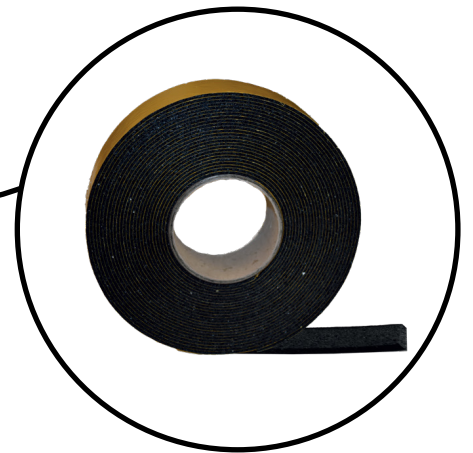
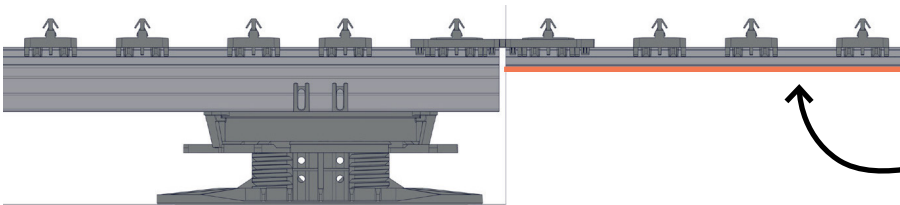


ADAPT THE STRUCTURE

for windowsills + door thresholds
+ pool borders + more

To avoid the boards being cantilevered, be sure to leave a space of 10 cm maximum between the rail and the wall.

If the rail is placed horizontally, make sure to leave enough space for the disassembly keys to pass, should you need to change the board.





SNAP BOARDS ON CLIPS

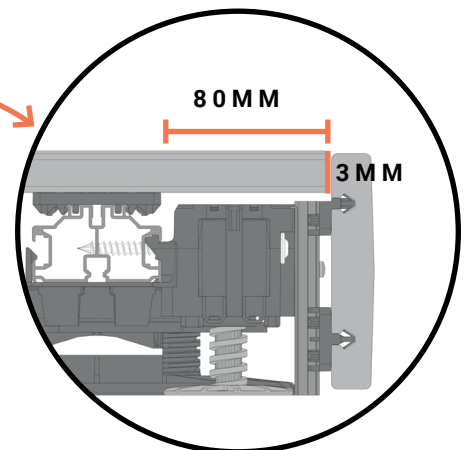
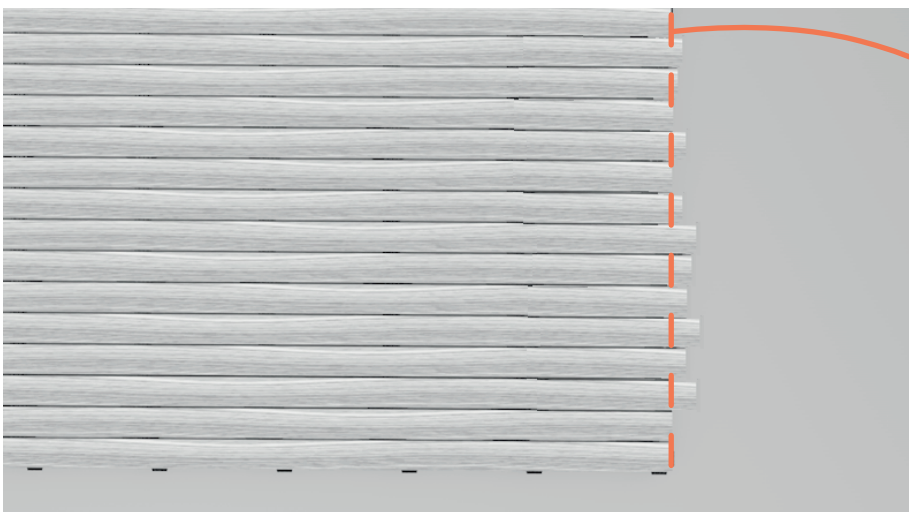
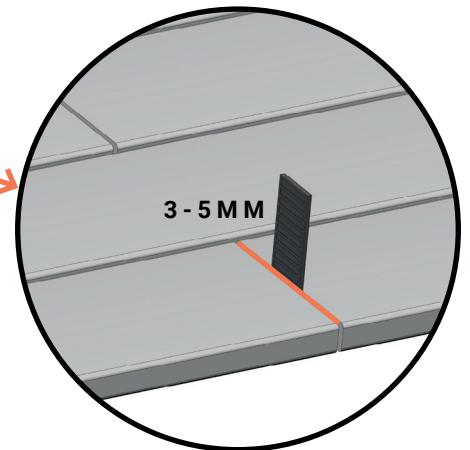
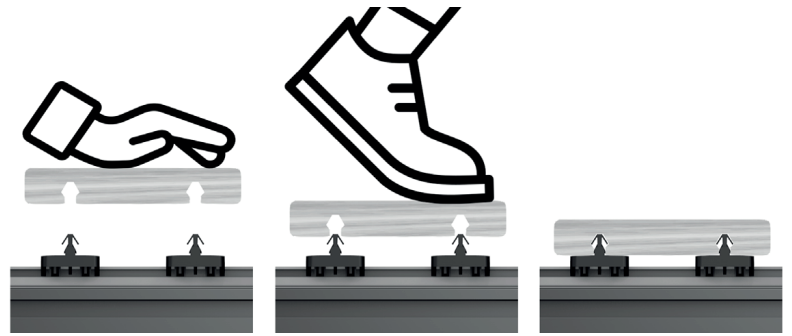
Lay the planks

Lay the planks by hand and gently step along the plank to snap it onto the rails. Do not use a hammer or other tools that may damage the boards.

Make sure to leave a space between 3 and 5mm between the ends of the planks to allow for expansion of the wood.

For composite planks, refer to the manufacturing guide.

Skirting boards should be installed before the terrace planks.







For more information, please visit:

GRADCONCEPT.COM