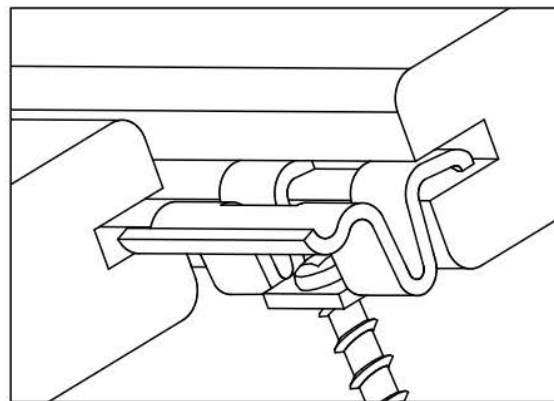


MOSO® Fasteners

With these fasteners MOSO® Bamboo X-treme® Decking and Cladding can be easily installed. When installed correctly, there will be 5-6 mm gaps between the boards. The fasteners are supplied with matching stainless steel screws (square bit). For installation on aluminium sub frame joist (not provided by MOSO®), special screws are available.

Product Code	Item	Material	Colour	Dimensions fastener (mm)	Dimensions screw (mm)
CLIP-SCREW-BX08	Fastener Asymmetric with screw (20 mm)	Stainless steel A2 (AISI304)	Brown	27x22.5x10.8	4.5x30
CLIP-BX08	Fastener Asymmetric without screw (20 mm)	Stainless steel A2 (AISI304)	Brown	27x22.5x10.8	
CLIP-SCREW-BX031	Fastener Symmetric with screw (20 mm)	Stainless steel A2 (AISI304)	Brown	27x22.5x10.8	4.5x30
CLIP-SCREW-BX301	Fastener Start/End Side/Top with screw (20 mm)	Stainless steel A2 (AISI304)	Brown	27x17x31	4.5x30
CLIP-SCREW-BX801	Fastener Start/End Top with screw (20 mm)	Stainless steel A2 (AISI304)	Brown	29x25x11.2	4.5x30
CLIP-SCREW-BX09	Fastener Asymmetric with screw (18 mm)	Stainless steel A2 (AISI304)	Brown	27x22.5x9.8	4.5x30
CLIP-BX09	Fastener Asymmetric without screw (18 mm)	Stainless steel A2 (AISI304)	Brown	27x22.5x9.8	
CLIP-SCREW-BX041	Fastener Symmetric with screw (18 mm)	Stainless steel A2 (AISI304)	Brown	27x22.5x9.8	4.5x30
SCREW-09	Screw for aluminium sub frame joist	Stainless steel A2 (AISI304)	Brown		4.2x20



recommended number of fasteners/m²

decking*

137 mm
~20 pcs/m²

155 mm
~17 pcs/m²

178 mm
~14 pcs/m²

cladding**

137 mm
~14 pcs/m²

75 mm
~26 pcs/m²

*) Based on distance of 462.5 mm between the sub frame joist centres.

**) Based on distance of 600 mm between the sub frame joist centres.

CLIP-SCREW-BX08 / BX09
CLIP-BX08 / BX09



CLIP-SCREW-BX301



CLIP-SCREW-BX031 / BX041



CLIP-SCREW-BX801

