

8100 Series Macerator Toilets

Great Performance. Great Value.



For a powerful macerator toilet in an easy-to-install, easy-to-use fixture, the Dometic 8100 series of MasterFlush™ toilets offers an alternative with appealing value. The electric toilet and flush control panel are the only components to install – no external control module is necessary.

Dometic 8100 series macerator toilets provide two flush settings to help manage water use. The “Normal” flush setting adds a small amount of water to the bowl after every flush, and “Dry Bowl” flushing does not add water to the bowl. Because flushes are controlled by how long the flush button is pressed, the average consumption per flush is estimated at 2.3 liters (0.6 US gallons). Water can also be added to the bowl when desired.



User comfort is enhanced with a solid wood, elongated seat. Two heights are available – standard residential toilet height and a low-profile design that accommodates raised platform installations. Each model includes discharge fittings for through-the-floor or above-floor plumbing.

Key Benefits

- Powerful macerator flush.
- Small footprint – fits in most any head compartment.
- Standard and low-profile heights.
- Through-the-floor and through-the-wall discharge fittings.
- Solid wood seat with elongated opening.
- “Normal” and “Dry Bowl” flush options.
- Convenient electronic flush controls.
- 12 V DC or 24 V DC operation.
- Available in white.

Technical Specifications for 8100 Series MasterFlush™ Toilets

Model	Description	Discharge	Voltage
8112	Low-profile macerator toilet	38 mm/1.5 in. ID	12 V DC
8116	Low-profile macerator toilet	38 mm/1.5 in. ID	24 V DC
8152	Standard-height macerator toilet	38 mm/1.5 in. ID	12 V DC
8156	Standard-height macerator toilet	38 mm/1.5 in. ID	24 V DC

Notes:
Specifications subject to change without notice.

Minimum System Requirements

Electrical	Circuit breaker	25 amps/12 V DC; 15 amps/24 V DC
	Wiring	12 ga. (up to 6.1 m/20 ft. from breaker)
Water Supply	ID	0.5 in. NPT
	Flow rate	9.5 lpm /2.5 gpm
Discharge	ID	38 mm /1.5 in.
	Horizontal run	30 m/98 ft. maximum
	Vertical run	3 m/9.8 ft. maximum
	Tank capacity	114 liters/30 gal. recommended

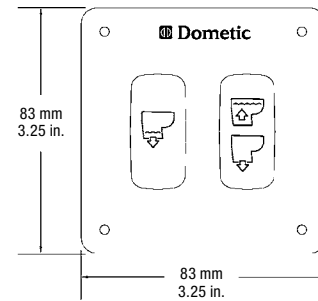
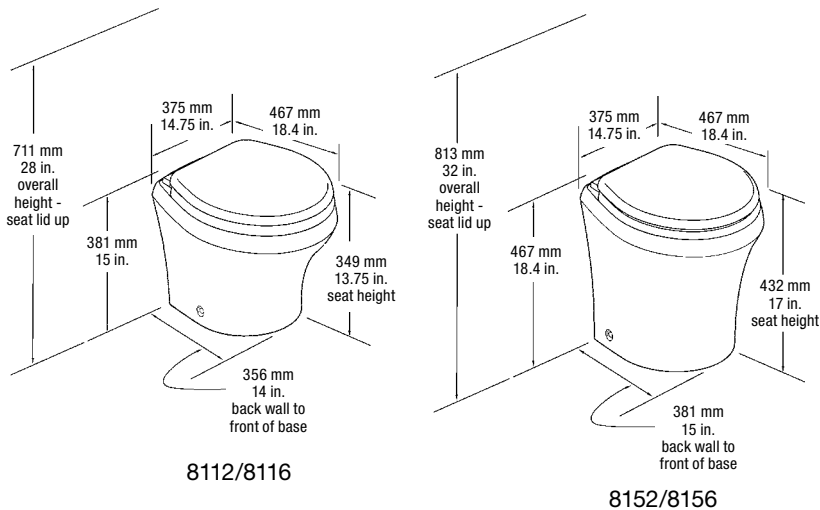
Specifications subject to change without notice.

Dometic Flush Control Panel



Dometic 8100 series MasterFlush panel includes “normal flush” switch on left side, “add water” and “dry bowl flush” functions on right side.

Dimensions



Dealer:

DOMETIC CORPORATION, SANITATION DIVISION
13128 SR 226, PO Box 38 | Big Prairie, OH 44611 USA | 330-496-3211 | Fax 330-496-9097
www.dometic.com | SeaLand@DometicUSA.com