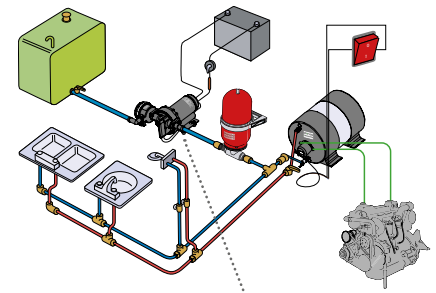


Aqua Jet Water Pressure System Pumps

SPX FLOW Johnson Pump's Aqua Jet WPS pumps are designed with technical advantages over other pumps commonly found on the market.

The five chamber Aqua Jet Water Pressure Pump (WPS) series provides a reliable heart for small boat and recreational vehicle water pressure systems. Compared to conventional three or four-chamber diaphragm pumps, the Aqua Jet demonstrates dramatically lower noise and water pulsation characteristics.

It is recommended to install the WPS-pumps with an accumulator tank. Always use a PUMProtector inlet strainer before the pump intake.



Aqua Jet WPS Water Pressure Pump



AQUA JET WPS 2.4

Diaphragm	Santoprene
Valves	EPDM
Body	PP/PPA
Motor	85W
Weight	1.6 kg/3.5 lbs
Length	204 mm/8.02"
Width	197 mm/7.76"
Height	110 mm/4.33"

Part No.	Description	Capacity
10-24604-03	Aqua Jet WPS 2.4 12V	9 l/min – 2.4 GPM
10-24604-04	Aqua Jet WPS 2.4 24V	9 l/min – 2.4 GPM

Pressure Cut Off*	Fuse Size	Connection**
2.8 bar – 41 psi	10 A	3/8" BSP / hose 1/2", 1/2" BSP 3/4" hose
2.8 bar – 41 psi	5 A	3/8" BSP / hose 1/2", 1/2" BSP 3/4" hose



AQUA JET WPS 2.9

Diaphragm	Santoprene
Valves	EPDM
Body	PP/PPA
Motor	85W
Weight	1.6 kg/3.5 lbs
Length	204 mm/8.02"
Width	197 mm/7.76"
Height	110 mm/4.33"

Part No.	Description	Capacity
10-13405-03	Aqua Jet WPS 2.9 12V	11 l/min – 2.9 GPM
10-13405-04	Aqua Jet WPS 2.9 24V	11 l/min – 2.9 GPM

Pressure Cut Off*	Fuse Size	Connection**
2.8 bar – 41 psi	10 A	3/8" BSP / hose 1/2", 1/2" BSP 3/4" hose
2.8 bar – 41 psi	5 A	3/8" BSP / hose 1/2", 1/2" BSP 3/4" hose



AQUA JET WPS 3.5

Diaphragm	Santoprene
Valves	EPDM
Body	PP/PPA
Motor	85W
Weight	2 kg/4.5 lbs
Length	236,5 mm/9.31"
Width	210 mm/8.25"
Height	116 mm/4.575"

Part No.	Description	Capacity
10-13395-03	Aqua Jet WPS 3.5 12V	13 l/min / 3.5 GPM
10-13395-04	Aqua Jet WPS 3.5 24V	13 l/min / 3.5 GPM

Pressure Cut Off*	Fuse Size	Connection**
2.8 bar – 41 psi	10 A	3/8" BSP / hose 1/2", 1/2" BSP 3/4" hose
2.8 bar – 41 psi	5 A	3/8" BSP / hose 1/2", 1/2" BSP 3/4" hose

Aqua Jet 3.5 fitted with a built-in pulsation dampening by-pass valve



AQUA JET WPS 4.0

Diaphragm	Santoprene
Valves	EPDM
Body	PP
Motor	100W
Weight	2 kg/4.5 lbs
Length	240 mm/9.46"
Width	214 mm/8.42"
Height	110 mm/4.33"

Part No.	Description	Capacity
10-13406-03	Aqua Jet WPS 4.0 12V	15 l/min / 4.0 GPM
10-13406-04	Aqua Jet WPS 4.0 24V	15 l/min / 4.0 GPM

Pressure Cut Off*	Fuse Size	Connection**
2.8 bar – 41 psi	10 A	3/8" BSP / hose 1/2", 1/2" BSP 3/4" hose
2.8 bar – 41 psi	5 A	3/8" BSP / hose 1/2", 1/2" BSP 3/4" hose



AQUA JET WPS 5.2

Diaphragm	Santoprene
Valves	EPDM
Body	PP
Motor	150W
Weight	2 kg/4.5 lbs
Length	240 mm/9.46"
Width	214 mm/8.42"
Height	110 mm/4.33"

Part No.	Description	Capacity
10-13406-07	Aqua Jet WPS 5.2 12V	20 l/min/ 5.2 GPM
10-13406-08	Aqua Jet WPS 5.2 24V	20 l/min/ 5.2 GPM

Pressure Cut Off*	Fuse Size	Connection**
2.8 bar – 41 psi	15 A	3/8" BSP / hose 1/2", 1/2" BSP 3/4" hose
2.8 bar – 41 psi	8 A	3/8" BSP / hose 1/2", 1/2" BSP 3/4" hose

*Cut off pressure 2.1 bar/30 psi and 1.4 bar/20 psi available on request

** NPT-connection available on request

ADDITIONAL ADD-ON'S FOR AQUA JET WPS



•INLET STRAINER

Part No. 09-24653-01
For more information see page 5.

•ACCUMULATOR TANK

Part No. 09-46839-01 and 09-46839-02
For more information see page 6.



AQUA JET FLOW MASTER WPS 5.0 – VARIABLE FLOW

The whisper quiet self-priming Aqua Jet Flow Master WPS 5.0 pump incorporates state-of-the-art electronics to automatically control pump speed. The digital controller adjusts water flow as the demand is increased and decreased while maintaining a very smooth flow. The unique variable flow feature of the Aqua Jet Flow Master WPS 5.0 pump makes it a smart choice for better flow, lower noise and less amp draw. PUMProtector Inlet Strainer included. Recommended to install with an accumulator tank.



Lenght	239 mm/9.4"	Motor	WPS 5.0 – 150 W, 12/24V DC (with built-in thermal protection)
Width	209 mm/8.22"	Body	Nylon/Polypropylene
Height	113 mm/4.49"	Valves	Santoprene/EPDM
Weight	2 kg/4.5 lbs	Diaphragm	Santoprene

Part No.	Description	Capacity	Pressure Cut Off*	Fuse Size	Connection**
10-13329-03	Aqua Jet Flow Master WPS 5.0 12V	19 l/min – 5 GPM	3.5 bar – 50 psi	15 A	3/8" BSP / hose 1/2", 1/2" BSP / hose 3/4"
10-13329-04	Aqua Jet Flow Master WPS 5.0 24V	19 l/min – 5 GPM	3.5 bar – 50 psi	8 A	3/8" BSP / hose 1/2", 1/2" BSP / hose 3/4"

*Cut off pressure 2.1 bar/30 psi and 1.4 bar/20 psi available on request

** NPT-connection available on request



Aqua Jet Uno WPS



Install Water Pressure Systems
for perfect water pressure in recreational vehicles, leisure boats, trains, buses and summer homes.



AQUA JET UNO WPS 3.5 AND 5.2 – COMPACT ALL IN ONE UNIT

Medium capacity unit with a single Aqua Jet WPS capacity 13 l/min or 20 l/min fixed on a base with PUMProtector Inlet Strainer and a 2 litres pre-pressurized Accumulator Tank.

Part No.	Description	Capacity	Pressure Cut Off*	Fuse Size	Connection**
10-13408-01	Aqua Jet Uno WPS 3.5 GPM 12V	13 l/min – 3.5 GPM	2.8 bar – 41 psi	10 A	3/4" hose
10-13408-02	Aqua Jet Uno WPS 3.5 GPM 24V	13 l/min – 3.5 GPM	2.8 bar – 41 psi	5 A	3/4" hose
10-13408-03	Aqua Jet Uno WPS 5.2 GPM 12V	20 l/min – 5.2 GPM	2.8 bar – 41 psi	15 A	3/4" hose
10-13408-04	Aqua Jet Uno WPS 5.2 GPM 24V	20 l/min – 5.2 GPM	2.8 bar – 41 psi	8 A	3/4" hose
09-46781-01	Switch Complete WPS 41 psi		41 psi		

AQUA JET DUO WPS 10.4 – COMPACT ALL IN ONE UNIT

High capacity unit with two parallel-connected Aqua Jet WPS capacity 40 l/min fixed on a base with PUMProtector Inlet Strainers and a 2 litres pre-pressurized Accumulator Tank.

Part No.	Description	Capacity	Pressure Cut Off*	Fuse Size	Connection**
10-13409-01	Aqua Jet Duo WPS 10.4 GPM 12V	40 l/min – 10.4 GPM	2.8 bar – 41 psi	25 A	3/4" hose
10-13409-02	Aqua Jet Duo WPS 10.4 GPM 24V	40 l/min – 10.4 GPM	2.8 bar – 41 psi	15 A	3/4" hose
09-46781-01	Switch Complete WPS 41 psi		41 psi		
09-46781-03	Switch Complete WPS 30 psi		30 psi		

AQUA JET UNO MAX WPS 2.9 AND 3.5 – COMPACT ALL IN ONE UNIT

Medium capacity unit with a single Aqua Jet WPS with capacity 11 or 13 l/min fixed on a wooden panel for easy and efficient installation. The unit includes a PUMProtector inlet strainer and a 2 litres pre-pressurized accumulator tank.

Part No.	Description	Capacity	Pressure Cut Off*	Fuze Size	Connection**
10-13410-01	Aqua Jet Uno-Max WPS 2.9 12V	11 l/min – 2.9 GPM	2.8 bar – 41 psi	10 A	3/4" hose
10-13410-02	Aqua Jet Uno-Max WPS 2.9 24V	11 l/min – 2.9 GPM	2.8 bar – 41 psi	5 A	3/4" hose
10-13411-01	Aqua Jet Uno-Max WPS 3.5 12V	13 l/min – 3.5 GPM	2.8 bar – 41 psi	10 A	3/4" hose
10-13411-02	Aqua Jet Uno-Max WPS 3.5 24V	13 l/min – 3.5 GPM	2.8 bar – 41 psi	5 A	3/4" hose

*Cut off pressure 2.1 bar/30 psi and 1.4 bar/20 psi available on request

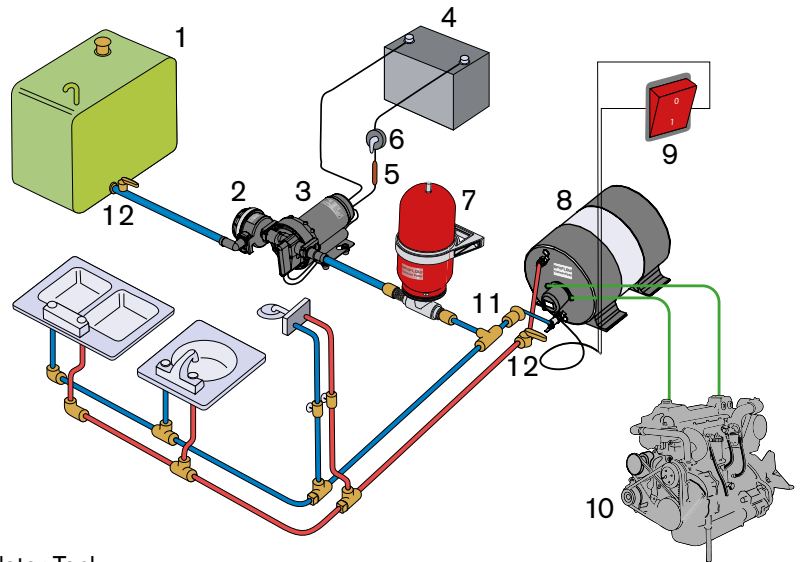
** NPT-connection available on request



Aqua Jet Uno-Max WPS

FRESH WATER HANDLING

Components included in a complete Water Pressure Systems:



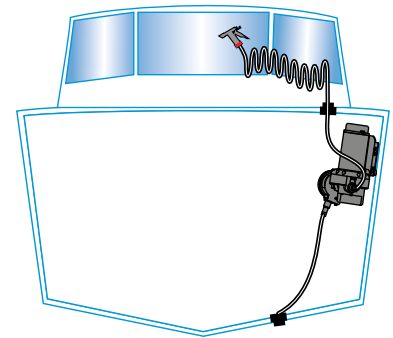
- | | |
|--|--------------------------|
| 1. Water Tank | 7. Accumulator Tank |
| 2. PUMProtector Inlet Strainer | 8. AquaH Water Heater |
| 3. Aqua Jet Water Pressure System Pump | 9. ON/OFF Bipolar Switch |
| 4. Battery | 10. Motor |
| 5. Fuse | 11. Check Valve |
| 6. Switch | 12. Shut-off Valve |

Aqua Jet Wash Down (WD) Pump Systems

The quiet and pulsation-free Aqua Jet five-chamber diaphragm wash down pumps provide the perfect wash down solution for cleaning recreational equipment.

With a higher pressure of up to 5 bar, clean-up is faster and easier than ever before. Complete with spray pistol, PUMProtector inlet strainer and hose connections for 1/2" hose.

Both BSP and NPT connections included.



AQUA JET WASH DOWN PUMP 2.9, 3.5 AND 5.2 GPM

Complete with spray pistol, PUMProtector inlet strainer and hose connections for 1/2" hose. Both BSP and NPT connections included in package.

Dimensions	See Aqua Jet WPS 2.9, 3.5 and 5.2	Body	PA/PPA
Motor	Aqua Jet WD 2.9 - 90 W, 12/24V DC	Valves	Nitrile
	Aqua Jet WD 3.5 - 120 W, 12/24V DC	Diaphragm	Santoprene
	Aqua Jet WD 5.2 - 185 W, 12/24V DC (with built-in thermal protection)		

Body PA/PPA
Valves Nitrile
Diaphragm Santoprene

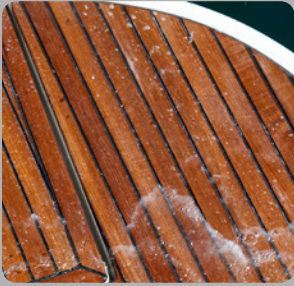


Part No.	Description	Capacity	Pressure Cut Off	Fuse Size	Connection
10-24728-03	Aqua Jet WD 2.9 12V	11 l/min – 2.9 GPM	2.8 bar – 41 psi	10 A	3/8" BSP x 1/2" barb
10-24728-04	Aqua Jet WD 2.9 24V	11 l/min – 2.9 GPM	2.8 bar – 41 psi	5 A	3/8" BSP x 1/2" barb
10-13399-03	Aqua Jet WD 3.5 12V	13 l/min – 3.5 GPM	5 bar – 70 psi	15 A	3/8" BSP x 1/2" barb
10-13399-04	Aqua Jet WD 3.5 24V	13 l/min – 3.5 GPM	5 bar – 70 psi	8 A	3/8" BSP x 1/2" barb
10-13407-07	Aqua Jet WD 5.2 12V	20 l/min – 5.2 GPM	5 bar – 70 psi	20 A	3/8" BSP x 1/2" barb
10-13407-08	Aqua Jet WD 5.2 24V	20 l/min – 5.2 GPM	5 bar – 70 psi	10 A	3/8" BSP x 1/2" barb

Accessories

for Water Pressure Systems and Wash Down Pumps, see page 6.





Install Wash Down Pumps for efficient cleaning of recreational equipment and boat decks.

Aqua Jet Wash Down Pump Kits

Discover the different wash down kits from SPX FLOW Johnson Pump.

The kits are equipped with a high capacity Aqua Jet WPS (3.5 or 5.2), PUMProtector inlet strainer, spray nozzle and the relevant connections – all in one package.



AQUA JET WASH DOWN 3.5 GPM PUMP KIT

13 l/min (35 GPM) wash down kit conveniently includes a high capacity Aqua Jet WD 3.5, 5 bar (70 psi), PUMProtector inlet strainer, spray nozzle, 7.5 meters (25') of coiled wash down hose – all in one package.

Part No.	Description
10-13558-01	Aqua Jet 3.5 Wash Down Pump Kit 12V
10-13558-02	Aqua Jet 3.5 Wash Down Pump Kit 24V



AQUA JET WASH DOWN 5.2 GPM PUMP KIT

20 l/min (5.2 GPM) wash down kit conveniently includes a high capacity Aqua Jet WD 5.2, 5 bar (70 psi), PUMProtector inlet strainer, spray nozzle, bulk head fitting with valve, 7.5 meters (25') of coiled wash down hose and an illuminated panel switch – all in one package.

Part No.	Description
32-64534	Aqua Jet 5.2 Wash Down Pump Kit 12V
32-64534R-24	Aqua Jet 5.2 Wash Down Pump Kit 24V



AQUA JET WASH DOWN 5.2 GPM / 500 GPH LIVEWELL PUMP KIT

A wash down kit including a high capacity Aqua Jet Wash Down 5.2 (5 bar/70 psi) pump, a 500 GPH Twin Port Livewell Pump, PUMProtector Inlet Strainer, spray nozzle, bulk head fitting with valve, 7.5 meters (25') of coiled wash down hose and two illuminated panel switches - all in one package. Aqua Jet wash down/livewell pump kit makes it easy to add a wash down and livewell pump to any boat.

Part No.	Description
32-64634	Aqua Jet WD 5.2 GPM/500 GPH 12V Livewell

PUMProtector™ Strainer

The PUMProtector™ Universal and Inlet Strainers prevent debris and other particles from damaging the pump or passing through the system to the final outlet. Both of these strainers feature transparent covers for simple inspection, a wide variety of KlickTite™ port connectors for simple installation and removal, and high quality materials for simple maintenance.

The design and connectors make it possible to remove the entire unit for thorough cleaning wherever it is most convenient. It is recommended to use 40 mesh for water pressure and wash down pumps and 20 mesh for general purpose pumps.

UNIVERSAL STRAINER

Materials	Strainer – Polyamide 66, black	Diameter	80 mm / 3.15"
	Strainer Cover – Acrylic, clear (Part No. 09-36012)	Height	60 mm / 2.35"
	Screen – Stainless steel, 20 and 40 mesh	Weight	0.15 kg / 0.33 lbs
	O-rings – Silicone and EPDM	Mesh size	20 or 40

Part No.	Description	Mesh	Max Liquid Temp.	Max Temp. for Drinking Water	KlickTite™ Connector
09-24652-01	PUMProtector™ Universal Strainer	40	+50°C – +120°F	+30°C – +85°F	2 x 1/2" hose / 3/8" BSP; 2 x 3/4" hose / 1/2" BSP
09-24652-03	PUMProtector™ Universal Strainer	20	+50°C – +120°F	+30°C – +85°F	2 x 1/2" hose / 3/8" BSP; 2 x 3/4" hose / 1/2" BSP
09-36012	Strainer Cover (O-ring not included)				



INLET STRAINER

Materials	Strainer – Polyamide 66, black	Diameter	80 mm / 3.15"
	Strainer Cover – Acrylic, clear (Part No. 09-36012)	Height	60 mm / 2.35"
	Screen – Stainless steel, 20 and 40 mesh	Weight	0.15 kg / 0.33 lbs
	O-rings – Silicone and EPDM	Mesh size	20 or 40

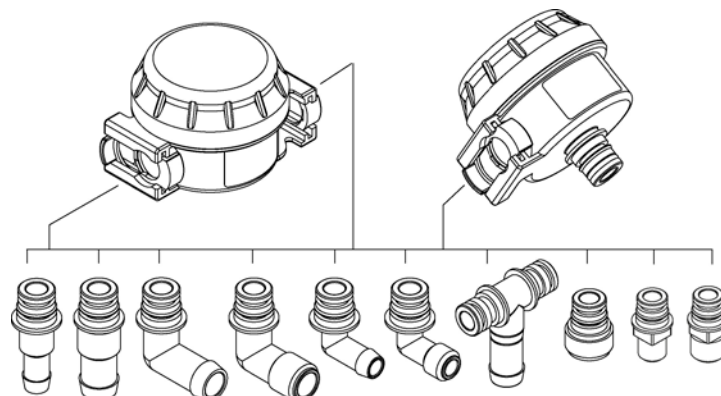
Part No.	Description	Mesh	Max Liquid Temp.	Max Temp. for Drinking Water	KlickTite™ Connector
09-24653-01	PUMProtector™ Inlet Strainer	40	+50°C – +120°F	+30°C – +85°F	1 x 1/2" hose / 3/8" BSP, 1 x 3/4" hose / 1/2" BSP
09-36012	Strainer Cover (O-ring not included)				



KLICKTITE™ - PORT CONNECTORS

KlickTite™ port connectors are available for virtually any hose diameter and make it possible to remove the entire unit for thorough cleaning wherever it's most convenient. They also make it possible to drain the system quickly for effortless winterizing without the use of any tools.

Part No.	Ps/Package	KlickTite™ Connector
09-46783	2	2 x 1/2" hose and 3/8" BSP
09-46784	2	2 x 3/4" hose and 1/2" BSP
09-46939	2	2 x 90°, 3/4" hose
09-47087	2	2 x 90°, 1/2" BSP
09-46938	2	2 x 90°, 1/2" hose
09-47026	2	2 x 90°, 3/8" BSP
09-47096	2	2 x 3/8" BSP
09-47098	2	2 x 1/2" BSP
09-47092	1	1 x T-connection, 3/4" barb
09-47094	2	Garden Hose Adapter



INLINE STRAINER

The Inline Strainer is recommended to be installed together with water pressure pumps to protect the pump from impurities. It is easy to disassemble for cleaning.

Part No.	Connection	Total Length	Diameter
48-80035	Inline strainer, 1/2" hose	230 mm / 9.05"	
48-80036	Inline strainer, 3/4" hose	32 mm / 1.25"	



Accessories - Water Pressure Systems and Wash Down Pumps

ACCUMULATOR TANK



The use of an accumulator tank is recommended to ensure effective and reliable system function. With an accumulator tank incorporated in the system, the intervals between cut-in and cut-out will be longer when only small amounts of water are drawn off. Less wear and tear on the pump with fewer starts and stops. Pre-pressurized at 0.8 bar / 12 psi.

Volume 2 l / 0.5 gal.
Height 315 mm / 12.4"
Diameter 160 mm / 6.3"
Weight 1,2 kg / 2.7 lbs

Part No.	Description	Connection
09-46839-01	Accumulator Tank 2 lit 15 mm.	1/2" hose connection
09-46839-02	Accumulator Tank 2 lit 19 mm	3/4" hose connection



09-10616

Part No.	Description
09-10616	Bulk head fitting 3/4" hose
09-60615	Black hose Bulk 7.5 m (25ft)
09-46781-01	Switch Complete 2.8 bar (40.6 psi)
09-46781-02	Switch Complete 5.0 bar (72.5 psi)
09-46781-03	Switch Complete 2.1 bar (30 psi)
34-82004	Wash Down Control Panel 12V 2-way ON OFF
34-82004-24V	Wash Down Control Panel 24V 2-way ON OFF



09-60615



09-46781-01



34-82004 / 34-82004-24V

DECK WASH - QUICK CONNECT FITTING



32-61121BSP

- Flush Mount
- Connects and disconnects under full pressure
- Positive lock bayonet connector
- Double viton o-ring seals
- Large flow capacity
- 316 stainless steel
- Nylon 66 connections

Part No.	Description
32-61121BSP	Deck Wash Quick Connect