

GHOST MANOR SERIES HDP1 SMART READY*

SPECIFICATIONS

GATES

- Maximum Gate Length = 20'
- Minimum Gate Length = 8'
- Maximum Gate Weight = 1000 lbs.

KIT CONTENTS

- One (1) Gate Operator Arm with 6' cable
- System Control Box with Controller
- Mounting Brackets and Fasteners
- One (1) AXP1 Premium 5-Button Remote Transmitter
- Gate Warning Placards (2)
- Installation Manual
- AC Transformer

MECHANICAL

- Opening speed: 90 degrees in approx. 15 seconds
- Opening maximum range is 110 degrees
- Pin-to-pin when the arm is fully retracted 40.25" mounting point to mounting point
- Arm maximum stroke distance: 26"
- Safety alarms for operation and diagnostics
- Control board programmable for pull-to-open and push-to-open applications
- SafeForce® obstruction sensing technology
- Soft start/stop
- Auto close adjustable from 6 seconds to 1 hour

POWER

- 12 VDC rechargeable battery required, (not included).
- Battery is recharged by a plug in 120VAC to 18VAC AC Transformer (included)
- 10 W or 30W Solar Panel(s) (optional) and compatible.
- System current: 3-4 amps per leaf typical when active. Standby is 25 mA with no accessories.

OPERATING TEMPERATURE

-5°F to 160°F

DIMENSIONS

Shipping Weight = 26 lbs.
Package Size = 48" x 10" x 10"

REGULATORY COMPLIANCE

Meets or exceeds UL325 7th Edition 2018 Standards

WARRANTY

18 months on control box, hardware and transmitter.

Lifetime Warranty on motor and gear assembly.



GHOST MANOR SERIES: HDP1

The Ghost Manor single smart ready* swing gate operator is optimized for installation on column mounted gate applications up to 20 ft. long and weighing 1000 lbs. when proper installation has been followed. The gate operator mounting brackets and hardware included in the kit are specifically designed for a column mount decorative style gate. *With the addition of the Ghost MultiConnect Kit.



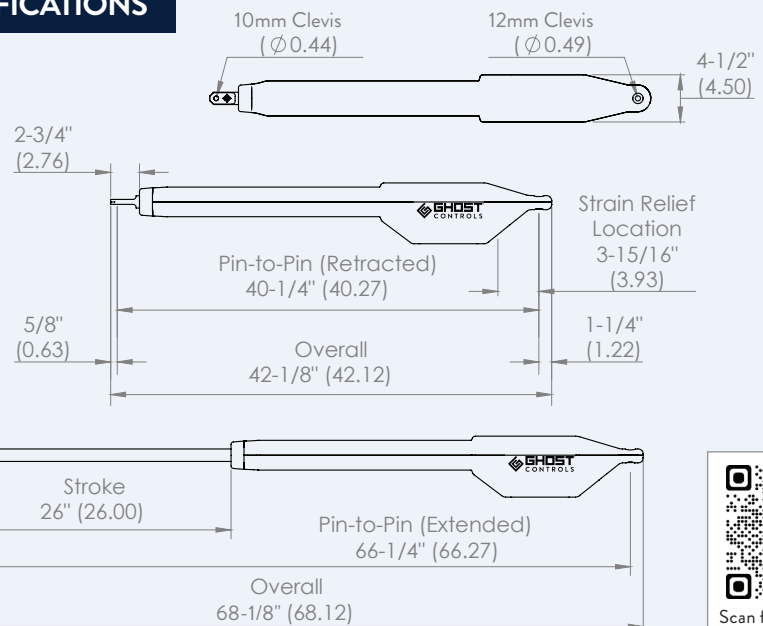
Max	8'	10'	12'	14'	16'	18'	20'
1000 lbs.	HDP1						
900 lbs.		HDP1					
800 lbs.			HDP1				
700 lbs.				HDP1			
600 lbs.					HDP1		
500 lbs.						HDP1	
400 lbs.							HDP1

Maximum Gate Length and Weight

COMPATIBLE ACCESSORIES

- ABBT2 Battery Box Kit
- AXDP 10W or AX30W Solar Panel
- AXS1, AXP1, AXR1 Remote Transmitters
- AXWK Premium Wireless Keypad
- AXGN Outdoor Mounting Pedestal
- AXZL ZombieLock®
- AXPO Push-To-Open Bracket Kit
- AXXV Wired Vehicle Sensor
- AXWV Wireless Vehicle Sensor
- AXMC-R Ghost MultiConnect® Kit

SPECIFICATIONS



GHOST MANOR SERIES HDP2 SMART READY*

SPECIFICATIONS

GATES

- Maximum Gate Length = 20' per leaf
- Minimum Gate Length = 8'
- Maximum Gate Weight = 1000 lbs.
- Maximum Gate Opening = 40'

KIT CONTENTS

- One (1) Gate Operator Arm with 6' cable and One (1) with 50' cable
- System Control Box with Controller
- Mounting Brackets and Fasteners
- Two (2) AXP1 Premium 5-Button Remote Transmitters
- Gate Warning Placards (2)
- Installation Manual
- AC Transformer

MECHANICAL

- Opening speed: 90 degrees in approx. 15 seconds
- Opening maximum range is 110 degrees
- Pin-to-pin when the arm is fully retracted 40.25" mounting point to mounting point
- Arm maximum stroke distance: 26"
- Safety alarms for operation and diagnostics
- Control board programmable for pull-to-open and push-to-open applications
- SafeForce® obstruction sensing technology
- Soft start/stop
- Auto close adjustable from 6 seconds to 1 hour

POWER

- 12 VDC rechargeable battery required, (not included).
- Battery is recharged by a plug in 120VAC to 18VAC AC Transformer (included)
- 10 W or 30W Solar Panel(s) (optional) and compatible.
- System current: 3-4 amps per leaf typical when active. Standby is 25 mA with no accessories.

OPERATING TEMPERATURE

-5°F to 160°F

DIMENSIONS

Shipping Weight = 55 lbs.
Package Size = 46" x 20" x 12"

REGULATORY COMPLIANCE

Meets or exceeds UL325 7th Edition 2018 Standards

WARRANTY

18 months on control box, hardware and transmitters.

Lifetime Warranty on motor and gear assembly.



GHOST MANOR SERIES: HDP2

The Ghost Manor dual smart ready* swing gate operator is optimized for installation on column mounted gate applications up to 20 ft. long and weighing 1000 lbs. when proper installation has been followed. The second arm has a 50' cable for larger gate entries. The gate operator mounting brackets and hardware included in the kit are specifically designed for column mount decorative style gates. *With the addition of the Ghost MultiConnect Kit.



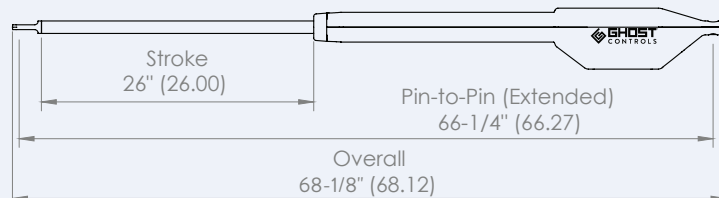
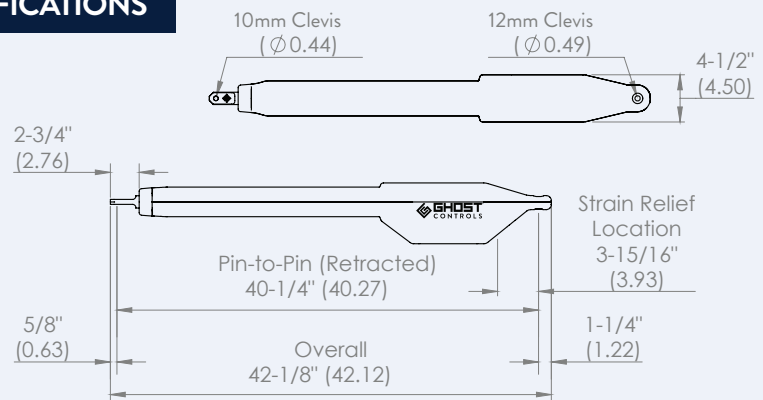
Max	8'	10'	12'	14'	16'	18'	20'
1000 lbs.	HDP2						
900 lbs.		HDP2					
800 lbs.			HDP2				
700 lbs.				HDP2			
600 lbs.					HDP2		
500 lbs.						HDP2	
400 lbs.	↓	↓	↓	↓	↓	↓	HDP2

Maximum Gate Length and Weight

COMPATIBLE ACCESSORIES

- ABBT2 Battery Box Kit
- AXDP 10W or AX30W Solar Panel
- AXS1, AXP1, AXR1 Remote Transmitters
- AXWK Premium Wireless Keypad
- AXGN Outdoor Mounting Pedestal
- AXZL ZombieLock®
- AXPO Push-To-Open Bracket Kit
- AXXV Wired Vehicle Sensor
- AXWV Wireless Vehicle Sensor
- AXMC-R Ghost MultiConnect® Kit

SPECIFICATIONS



Rev. 0224 GCMANORCUT