

# HEAVY DUTY SERIES TDS2

## SPECIFICATIONS

### GATES

- Maximum Gate Length = 20' per leaf
- Minimum Gate Length = 5'
- Maximum Gate Weight = 900 lbs. per leaf
- Maximum Gate Opening = 24'

### KIT CONTENTS

- One (1) Gate Operator Arm with 6' cable and One (1) with 30' cable for a 24' opening.
- System Control Box with Controller
- Mounting brackets and fasteners
- Two (2) AXS1 Standard 3-Button Remote Controls
- Four (4) Tube Gate Brackets
- Gate Warning Placards (2)
- Installation Manual
- AC Transformer

### MECHANICAL

- Opening speed: 90 degrees in approx. 15 seconds
- Opening maximum range is 110 degrees
- Pin-to-pin when the arm is fully retracted 33.75" mounting point to mounting point
- Arm maximum stroke distance: 20"
- Safety alarms for operation and diagnostics
- Control board programmable for pull-to-open and push-to-open applications
- SafeForce® obstruction sensing technology
- Soft start/stop
- Auto close adjustable from 6 seconds to 1 hour

### POWER

- 12 VDC rechargeable battery required, (not included).
- Battery is recharged by a plug in 120VAC to 18VAC AC Transformer (included).
- 10 W or 30W Solar Panel(s) (optional) and Compatible.
- System current: 3-4 amps per leaf typical when active. Standby is 25 mA with no accessories.

### OPERATING TEMPERATURE

-5°F to 160°F

### DIMENSIONS

Shipping Weight = 44.55 lbs.  
Package Size = 37.25" x 12.25" x 8.625"

### REGULATORY COMPLIANCE

Meets or exceeds UL325 7<sup>th</sup> Edition 2018 Standards

### WARRANTY

18 Months on control and battery box and hardware. 12 months on battery. **Lifetime Warranty on motor and gear assembly.**



## HEAVY DUTY SERIES: TDS2

The Ghost Controls® dual swing gate operator is optimized for installation on tube gate applications up to a 24 ft. wide opening and up to 900 lbs. when proper installation has been followed. The gate operator mounting brackets, tube gate brackets and hardware are all included in the kit and are specifically designed for agricultural tube gates but can also be installed on a decorative gate too.



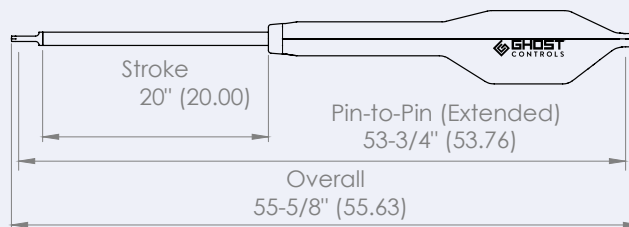
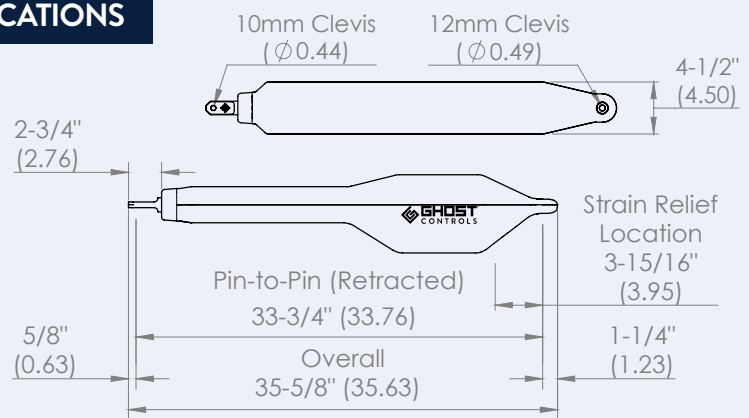
Max	5'	6'	8'	10'	12'	14'	16'	18'	20'
1000 lbs.									
900 lbs.	TDS2								
800 lbs.		TDS2							
700 lbs.			TDS2						
600 lbs.				TDS2					
500 lbs.					TDS2				
400 lbs.						TDS2			
350 lbs.							TDS2		
325 lbs.								TDS2	
300 lbs.	↓	↓	↓	↓	↓	↓	↓	↓	TDS2

Maximum Gate Length and Weight

### COMPATIBLE ACCESSORIES

- ABBT2 Battery Box Kit
- AXDP 10W or AX30W Solar Panel
- AXS1, AXP1, AXR1 Remote Controls
- AXWK Premium Wireless Keypad
- AXGN Outdoor Mounting Pedestal
- AXZL ZombieLock®
- AXPO Push-To-Open Bracket Kit
- AXXV Wired Vehicle Sensor
- AXWV Wireless Vehicle Sensor

## SPECIFICATIONS



Scan for Build a Kit

Rev. 0521 HDCUT

## SPECIFICATIONS

### GATES

- Maximum Gate Length = 20'
- Minimum Gate Length = 5'
- Maximum Gate Weight = 900 lbs.

### KIT CONTENTS

- One (1) Gate Operator Arm with 6' cable
- System Control Box with Controller
- Mounting brackets and fasteners
- One (1) AXS1 Standard 3-Button Remote Control
- Two (2) Tube Gate Brackets
- Gate Warning Placards (2)
- Installation Manual
- AC Transformer

### MECHANICAL

- Opening speed: 90 degrees in approx. 15 seconds
- Opening maximum range is 110 degrees
- Pin-to-pin when the arm fully retracted 33.75" mounting point to mounting point
- Arm maximum stroke distance: 20"
- Safety alarms for operation and diagnostics
- Control board programmable for pull-to-open and push-to-open applications
- SafeForce® obstruction sensing technology
- Soft start/stop
- Auto close adjustable from 6 seconds to 1 hour

### POWER

- 12 VDC rechargeable battery required, (not included).
- Battery is recharged by a plug in 120VAC to 18VAC AC Transformer (included).
- 10 W or 30W Solar Panel(s) (optional) and Compatible.
- System current: 3-4 amps per leaf typical when active. Standby is 25 mA with no accessories.

### OPERATING TEMPERATURE

-5°F to 160°F

### DIMENSIONS

Shipping Weight = 22.60 lbs.  
Package Size = 37.8" x 9.25" x 7.5"

### REGULATORY COMPLIANCE

Meets or exceeds UL325 7<sup>th</sup> Edition 2018 Standards

### WARRANTY

18 Months on control and battery box and hardware. 12 months on battery. **Lifetime Warranty on motor and gear assembly.**



## HEAVY DUTY SERIES: TSS1

The Ghost Controls® single swing gate operator is optimized for installation on tube gate applications up to 20 ft. long or up to 900 lbs. each leaf when proper installation has been followed. The gate operator mounting brackets, tube gate brackets and hardware are all included in the kit and are specifically designed for agricultural tube gates but can also be installed on a decorative gate too.



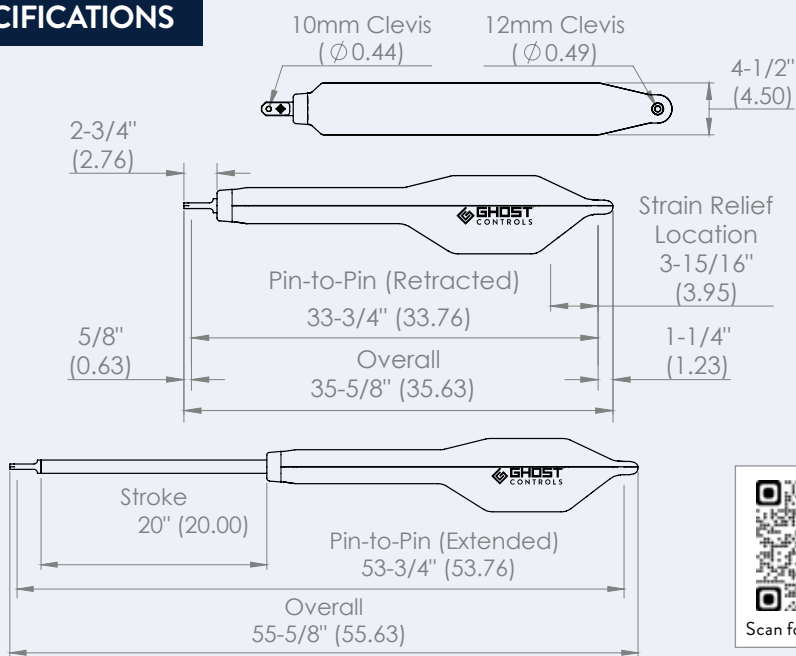
Max	5'	6'	8'	10'	12'	14'	16'	18'	20'
1000 lbs.									
900 lbs.	TSS1								
800 lbs.		TSS1							
700 lbs.			TSS1						
600 lbs.				TSS1					
500 lbs.					TSS1				
400 lbs.						TSS1			
350 lbs.							TSS1		
325 lbs.								TSS1	
300 lbs.	↓	↓	↓	↓	↓	↓	↓	↓	TSS1

Maximum Gate Length and Weight

### COMPATIBLE ACCESSORIES

- ABB2 Battery Box Kit
- AXDP 10W or AX30W Solar Panel
- AXS1, AXP1, AXR1 Remote Controls
- AXWK Premium Wireless Keypad
- AXGN Outdoor Mounting Pedestal
- AXZL ZombieLock®
- AXPO Push-To-Open Bracket Kit
- AXXV Wired Vehicle Sensor
- AXWV Wireless Vehicle Sensor

## SPECIFICATIONS



Scan for Build a Kit

Rev. 0521 HDCUT