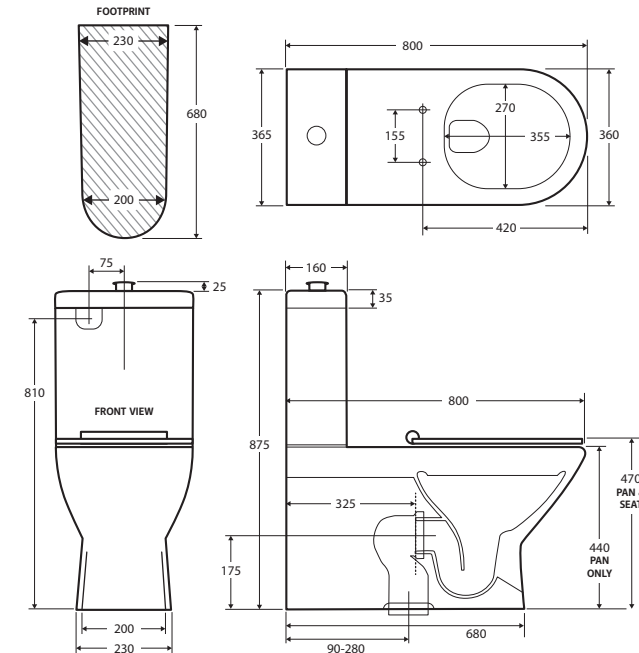


Delta Care BACK-TO-WALL TOILET SUITE

Features

- Can be installed for AS1428.1 Accessible compliance
- Rimless hygienic flush
- Gloss white finish
- Large, raised flush buttons (chrome or blue)
- Concealed pan for easy cleaning
- Single flap seat (grey or blue)
- High quality, R&T flush mechanism
- Top or bottom inlets:
 - Left top inlet
 - Left OR right bottom inlet (cannot use both at the same time)
- Available as P-Trap 180mm, or S-Trap with vario-bend 90-280 mm connector
- **WELS 4 Star rated, 4.5L/3L (3.2L average flush)**



Available in



P-Trap
Grey Seat
K013GP



S-Trap 90-280
Grey Seat
K013GA



P-Trap
Blue Seat
K013P



S-Trap 90-280
Blue Seat
K013A

Cleaning & Care

- Clean only with a soft cloth or sponge using warm water and mild soap or detergent. Do not use any abrasive cleaning materials.
- Do not use any solvents or corrosive liquids.
- Note that use of clip-on deodorisers will affect flushing performance on rimless suites.



While we aim to ensure specifications are correct at the time of publication, Fienza reserves the right to make modifications without prior notice. Physical colour may vary from image shown. All measurements are shown in millimetres. For ceramic products, please allow +/- 10 mm tolerance for manufacturing variance. Always use physical product measurements for mark-ups and roughing-in as the technical drawing may differ from actual product received.