

PRIME[®]

42U SERVER CABINET

MODEL: SRRCS62107

Overview

Standard 42U enclosure for low to medium density server and networking applications. Compact width optimizes data center space and will easily roll through standard doorways.

Features & Benefits

- Eight cable entry slots allow for easy accessibility through the roof
- Integrated bay brackets preinstalled on the frame (front and back)
- Preinstalled leveling feet and castors
- Toolless “Zero U” accessory channel allows for rack PDUs and vertical cable organizers to be mounted effortlessly
- Easily adjustable vertical mounting rails - adjustable in increments of 0.25in (6mm)
- Access through lockable half-height side panels with quick release latches
- Additional Features:
 - Integrated electrical bonding points throughout
 - Ventilated front & rear doors
 - Numbered U positions on rails
 - Open bottom allows for unobstructed access
- Static load (via leveling feet) - 3000lbs (1365kgs)
- Dynamic load (via castors) - 2250lbs (1025kgs)

Main

42U Rack Includes:

- Baying & Mounting Hardware
- Same Key for Doors & Side Panels
- 2 Keys
- Leveling Feet & Pre-installed Casters
- Side Panels

Conformance

Standards: • UL2416 • UL60950-1 • EIA-310E • RoHS



Physical

- Color: Black
- Dimensions:
 - 78.39in (H) x 23.62in (W) x 42.13in (D)
 - 1991mm (H) x 600mm (W) x 1070mm (D)
- Weight: 231 lbs (105 kg)
- Mounting Depth (min): 2.96in (75.2mm)
- Mounting Depth (max): 14.17in (360mm)
- Rack Width: 19in
- 14 Gauge EIA Marked Mounting Rail
- 16 Gauge Front Door
- 16 Gauge Post
- 18 Gauge Rear Door
- 18 Gauge Roof
- 18 Gauge Side Panels
- Permanent Permissible Load:
 - 2250lbs (1020.58kg) dynamic
 - 3750lbs (1700.97kg) static

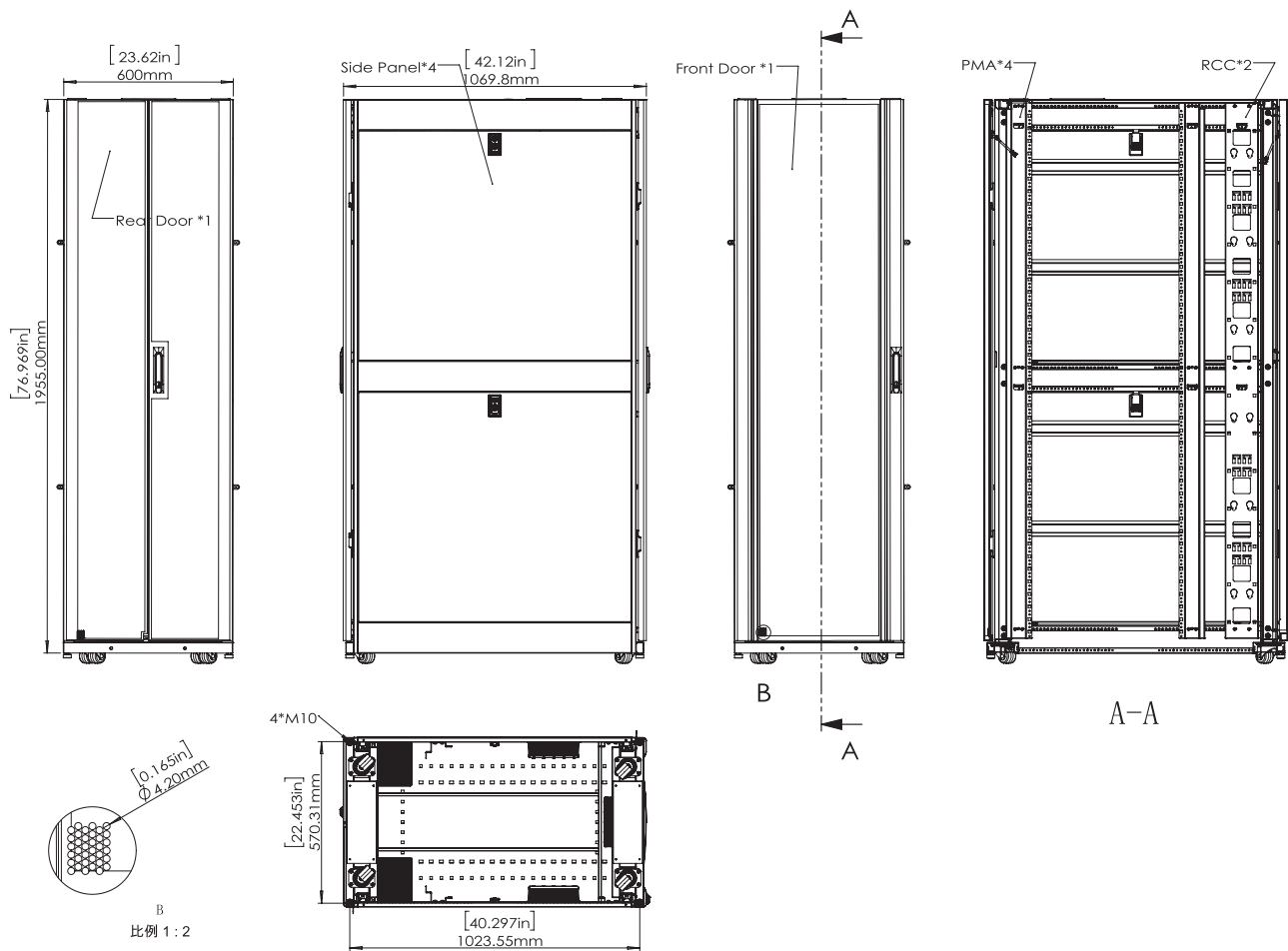
Packaging Data

- Package Dimensions:
 - 83.39in (H) x 29.61in (W) x 45.51in (D)
 - 2118mm (H) x 752mm (W) x 1156mm (D)
- Package Weight: 319 lbs (144.6 kg)

PRIME[®]

42U SERVER CABINET

MODEL: SRRCS62107



NOTE:

1. Installation shall comply with all applicable national, state and local electrical regulations
2. Refer to the product manual for additional details prior to installation and site preparation work
3. Net weight of unit is 231 lbs (105 kg)
4. Cable entry at top and bottom of the unit
5. Front and rear service access required
6. Air flow and service requirements, as well as minimum clearance to fire suppression systems should be considered when selecting a location for the unit

The information contained on this product sheet is presented solely as a guide to product selection and is reliable to the best of our knowledge. Any errors are subject to corrections. Prime Wire & Cable, Inc. has taken precautions to ensure the accuracy of the data and specifications presented herein, but reserves the right to modify, append or change the specifications and/or design of any and all products at any time and without prior notice.

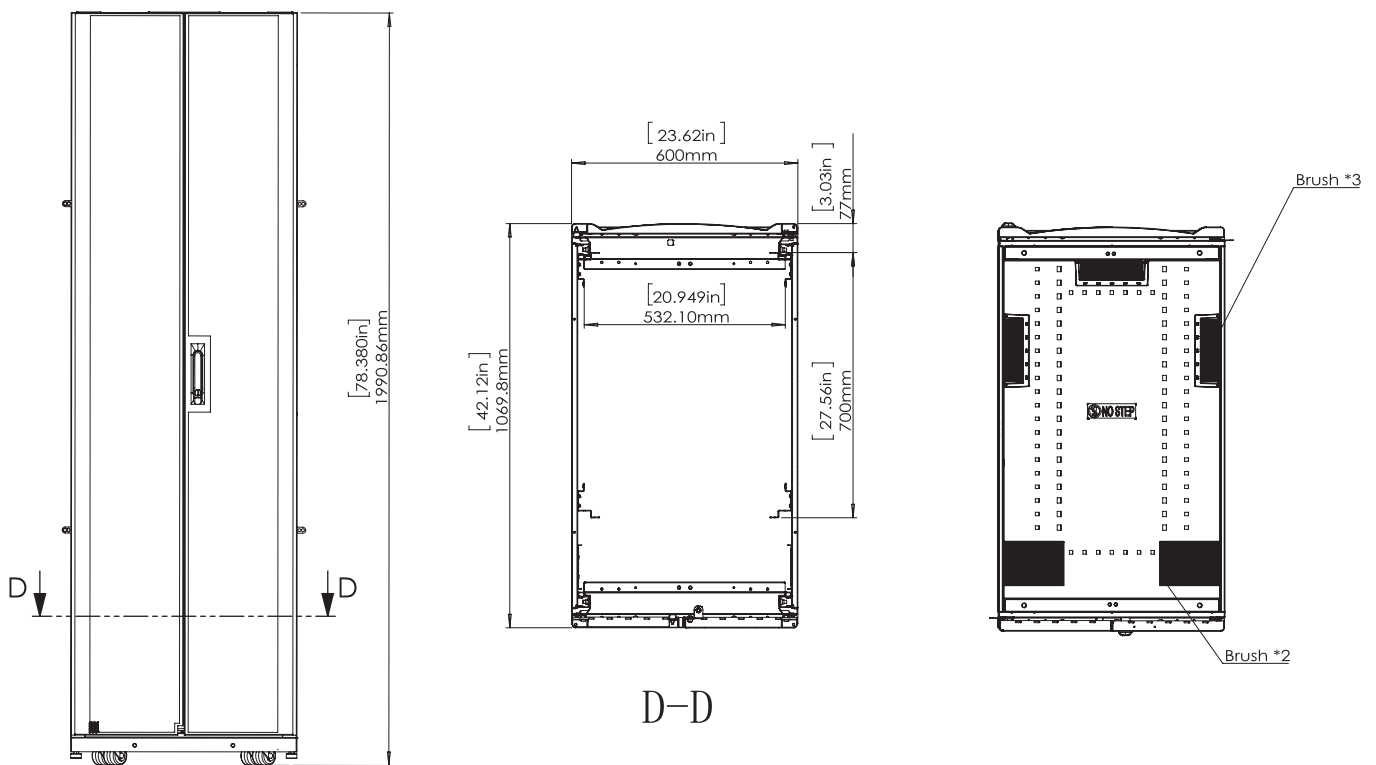
Prime Wire & Cable, Inc.
Diamond Bar, CA 91765
primemodulardatacenters.com
datacenters@primewirecable.com
909.718.5258



PRIME®

42U SERVER CABINET

MODEL: SRRCS62107



NOTE:

1. Installation shall comply with all applicable national, state and local electrical regulations
2. Refer to the product manual for additional details prior to installation and site preparation work
3. Net weight of unit is 231 lbs (105 kg)
4. Cable entry at top and bottom of the unit
5. Front and rear service access required
6. Air flow and service requirements, as well as minimum clearance to fire suppression systems should be considered when selecting a location for the unit

The information contained on this product sheet is presented solely as a guide to product selection and is reliable to the best of our knowledge. Any errors are subject to corrections. Prime Wire & Cable, Inc. has taken precautions to ensure the accuracy of the data and specifications presented herein, but reserves the right to modify, append or change the specifications and/or design of any and all products at any time and without prior notice.

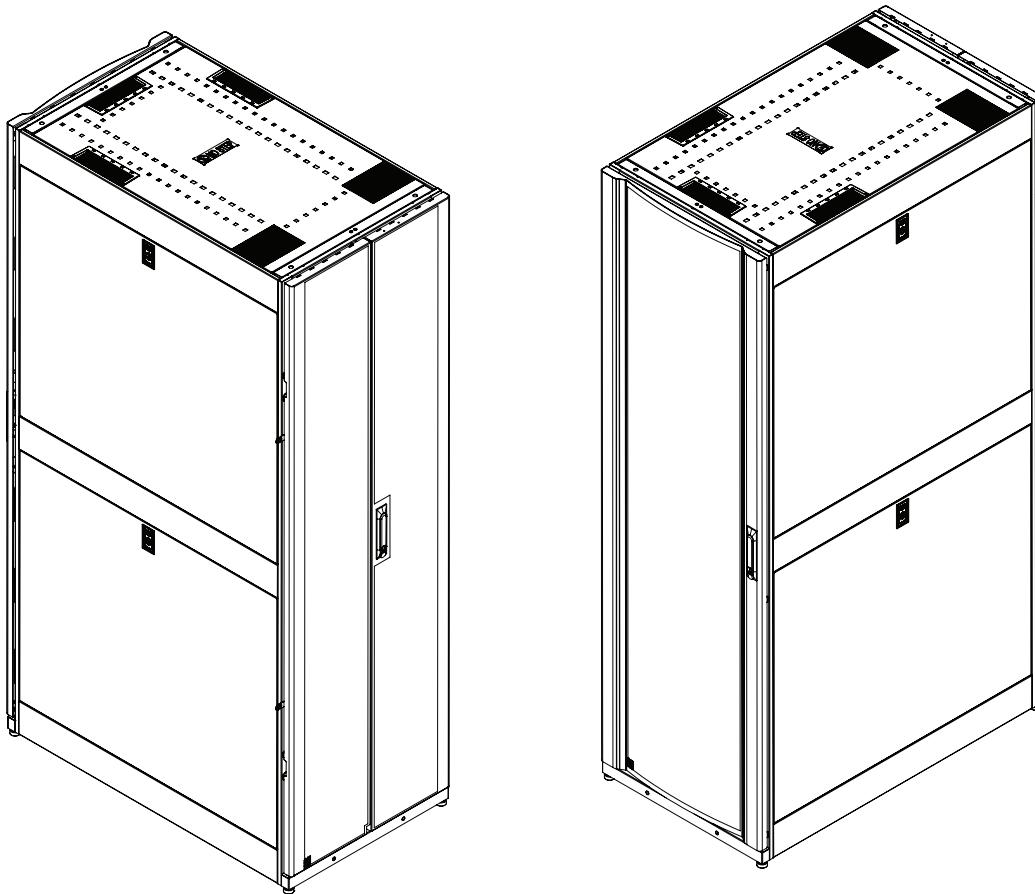
Prime Wire & Cable, Inc.
Diamond Bar, CA 91765
primemodulardatacenters.com
datacenters@primewirecable.com
909.718.5258



PRIME[®]

42U SERVER CABINET

MODEL: SRRCS62107



NOTE:

1. Installation shall comply with all applicable national, state and local electrical regulations
2. Refer to the product manual for additional details prior to installation and site preparation work
3. Net weight of unit is 231 lbs (105 kg)
4. Cable entry at top and bottom of the unit
5. Front and rear service access required
6. Air flow and service requirements, as well as minimum clearance to fire suppression systems should be considered when selecting a location for the unit

The information contained on this product sheet is presented solely as a guide to product selection and is reliable to the best of our knowledge. Any errors are subject to corrections. Prime Wire & Cable, Inc. has taken precautions to ensure the accuracy of the data and specifications presented herein, but reserves the right to modify, append or change the specifications and/or design of any and all products at any time and without prior notice.

Prime Wire & Cable, Inc.
Diamond Bar, CA 91765
primemodulardatacenters.com
datacenters@primewirecable.com
909.718.5258

