

# ASSEMBLY INSTRUCTIONS

Single Motor and/or  
Small Standing Desk



**RISE**DESK

---

**Welcome to #risefam!  
You are just a 45 minute  
setup away from  
improving your health.  
We are so excited to have  
you join our community.**

Feel free to start your  
installation journey by  
scanning the QR code for  
a video tutorial or turn to  
the next page for step 1.



---

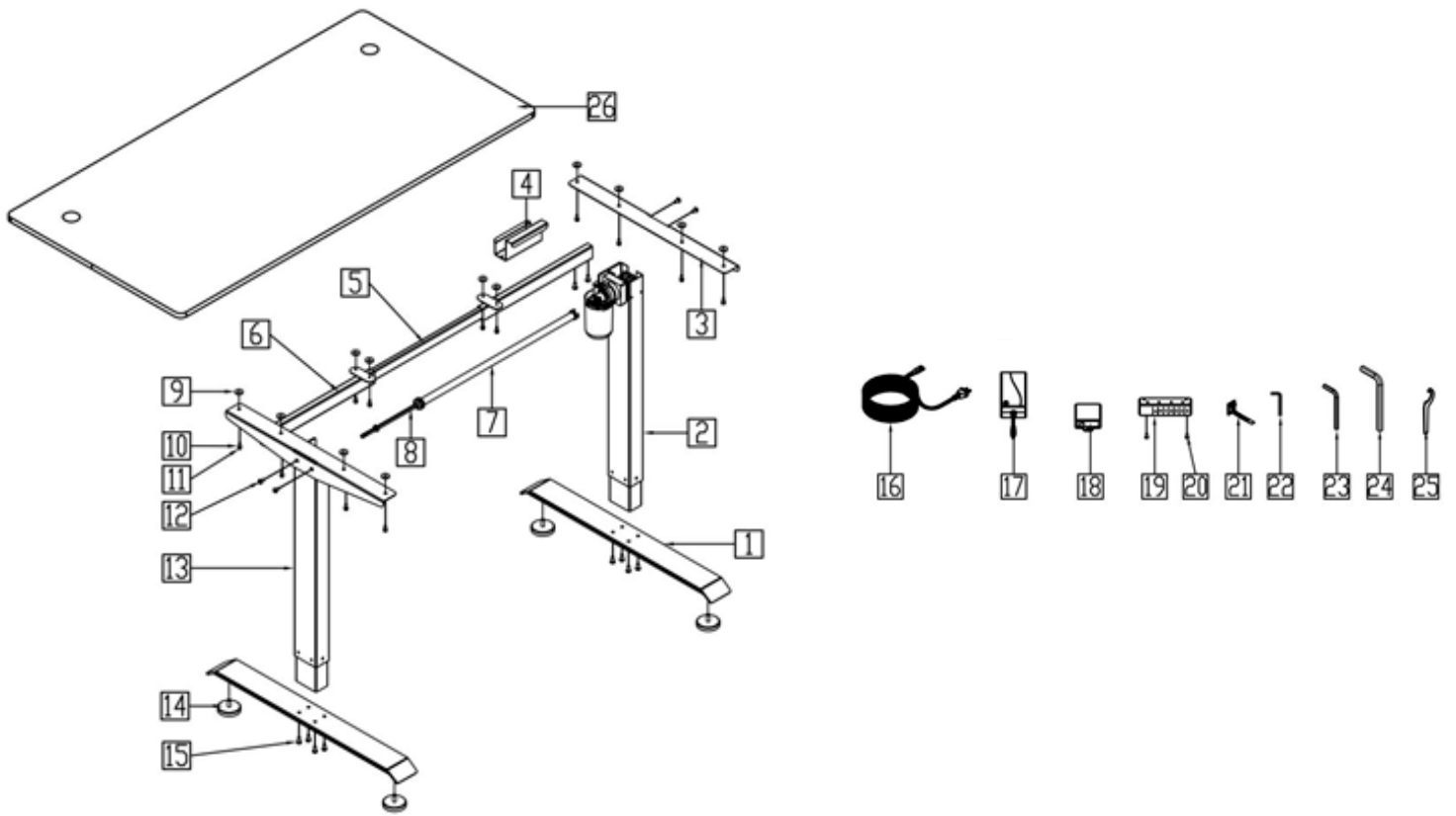
*If you have any questions  
regarding our products or  
assembly, please contact us at  
[happy@risedesk.io](mailto:happy@risedesk.io)*

# RISEDESK



## TABLE OF CONTENTS

<b>Part Inventory</b>	<b>4</b>
Assembly Instructions	5
Step 1 - Extending Frame	6
Step 2 - Lifting Columns	7
Step 3 - Install Feet	8
Step 4 - Install Brackets	9
Step 5 - Desktop Installation	10
Step 6 - Connect Legs With Bar	11
Step 7 - Cable Connection	12
Step 8 - Save Height Settings	13
<b>Technical Specifications</b>	<b>14</b>
Troubleshoot	15
Reset	15
Child Lock	15
Error Code Solutions	16
<b>Handset Operation Instructions</b>	<b>17 - 23</b>



NO.	COMPONENT NAME	PCS
1	Feet	2
2	Lifting Column (right)	1
3	Bracket	2
4	Adapter Rack	1
5	Extendable Rod	1
6	Frame	2
7	Transmission AL tube	1
8	Hexagonal bar	1
9	Rubber pad	14
10	Flat washers	13
11	M4x16	13
12	M6x10	9
13	Lifting Column (Left)	1

NO.	COMPONENT NAME	PCS
14	Feet Pad	4
15	M6x16	9
16	Power Cord	1
17	Adapter	1
18	Control Box	1
19	Handset	1
20	M4x20	3
21	Tie	2
22	Hexagon wrench (2.5mm)	1
23	Hexagon wrench (3mm)	1
24	Hexagon wrench (4mm)	1
25	Hook spanner	1
26	Panel	1

**Note:** All screws and pads include one additional piece.

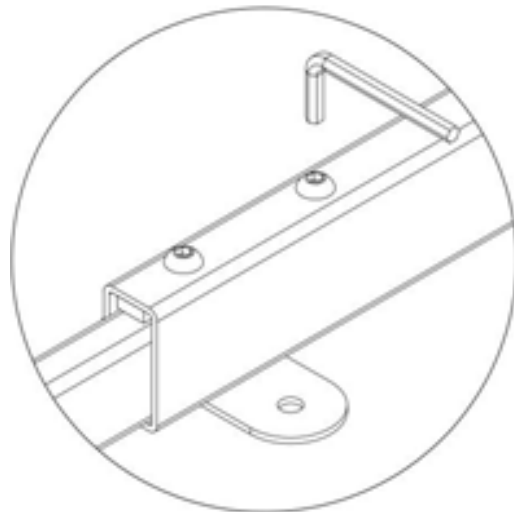
# **Assembly Instructions**

# STEP 1 - EXTENDING FRAME

- 1) Partially untighten 4 screws with provided allen key.
- 2) Extend frame open approximately 1 foot.

Tool: 4mm Hexagon Wrench (included in box)

1



2

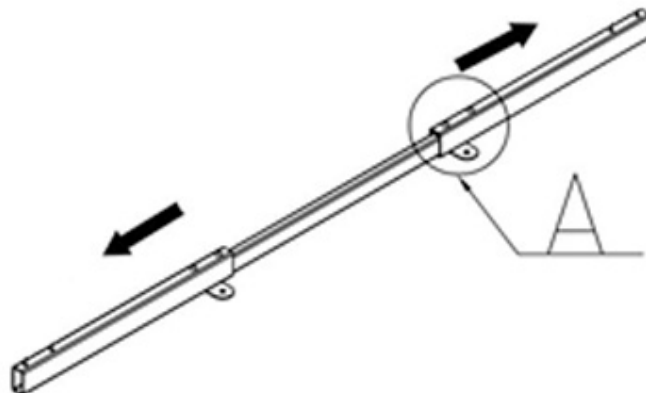


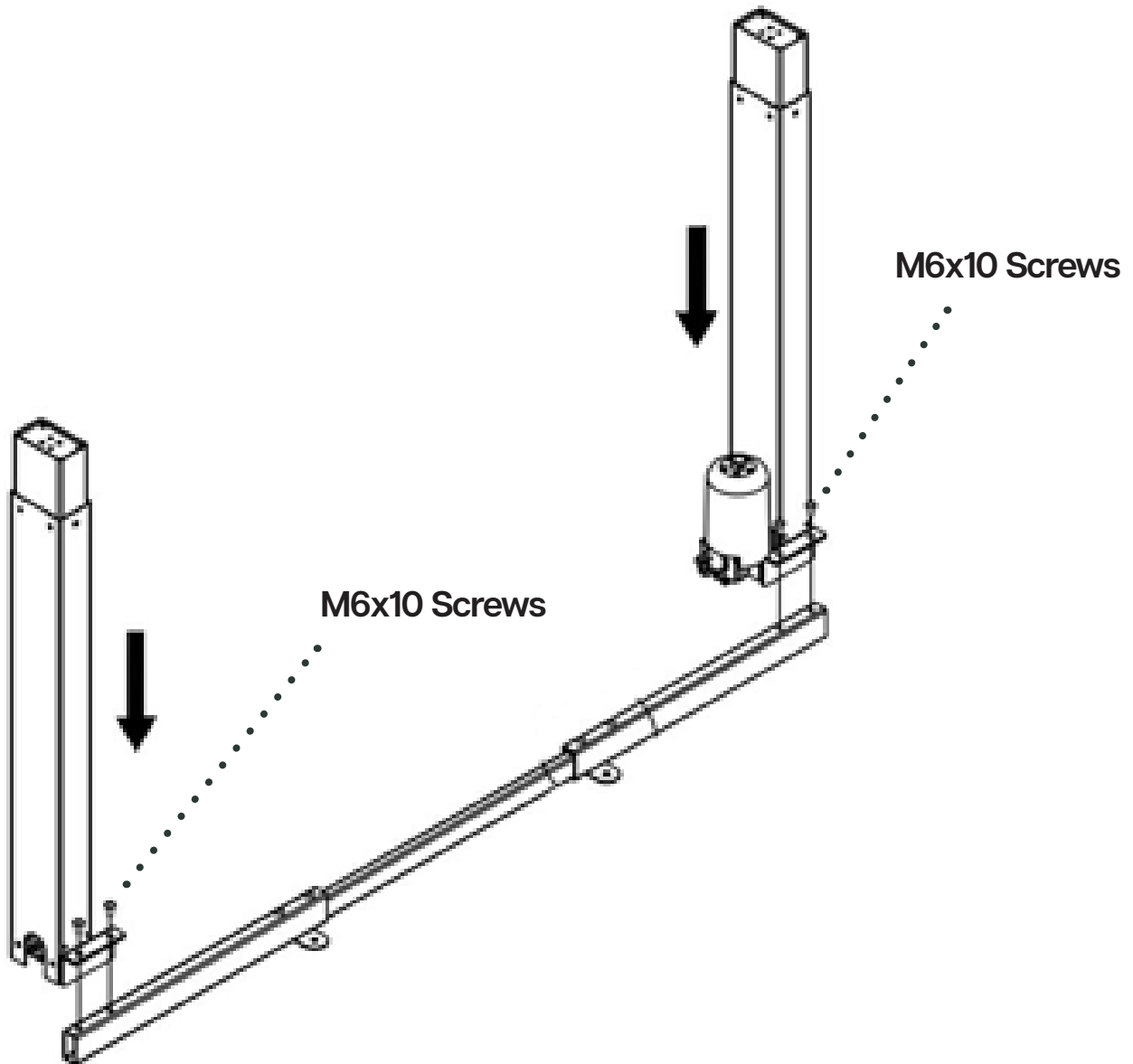
Figure A

## STEP 2 - LIFTING COLUMNS

Install the two lifting columns into the frame, tighten with 4 M6x10 bolts.

Bolts: 4 pcs, M6x10

Tool: 4mm Wrench (included in box)



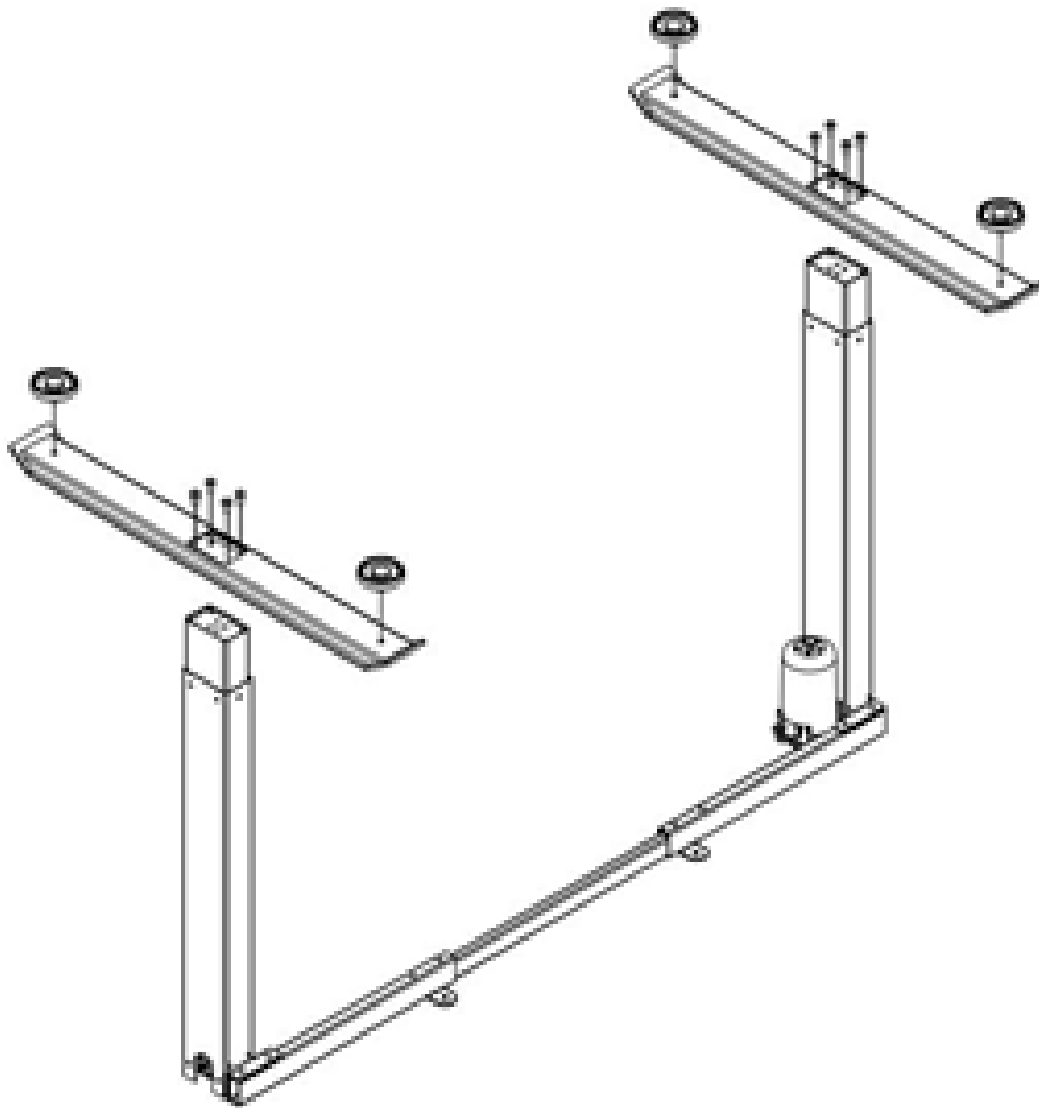
## STEP 3 - INSTALL FEET

Install the feet pads on the lifting columns, and tighten with M6x16 bolts.

Bolts: 8 pcs, M6x16

4 pcs Feet Pads

Tool: 4mm Hexagon Wrench (included in box)





# STEP 4 - INSTALL BRACKETS

- 1) Flip the frame over and install the brackets on the frame with M6x10 bolts, then place the adapter rack on to the frame
- 2) Fix rubber pads on the frame and brackets, as shown in Figure B

Bolts: 4 pcs, M6x10

12 pcs Rubber Pads

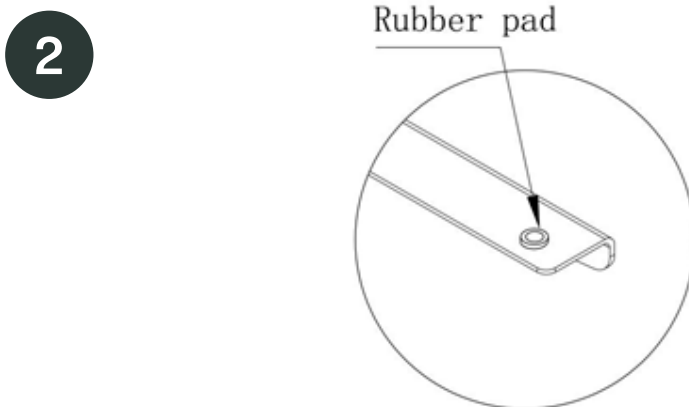
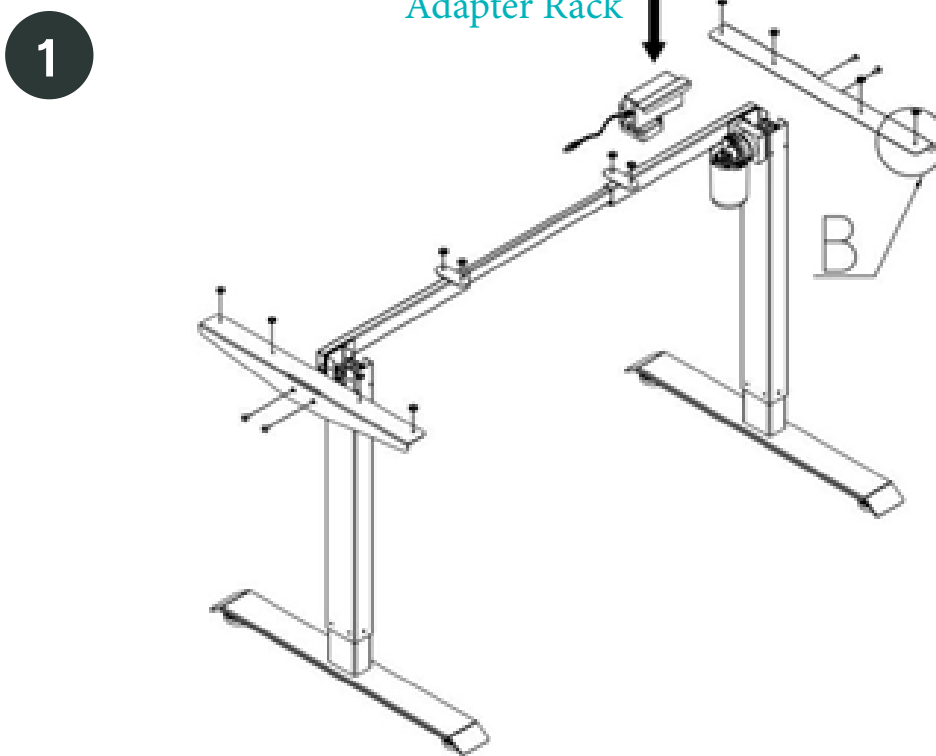


Figure B

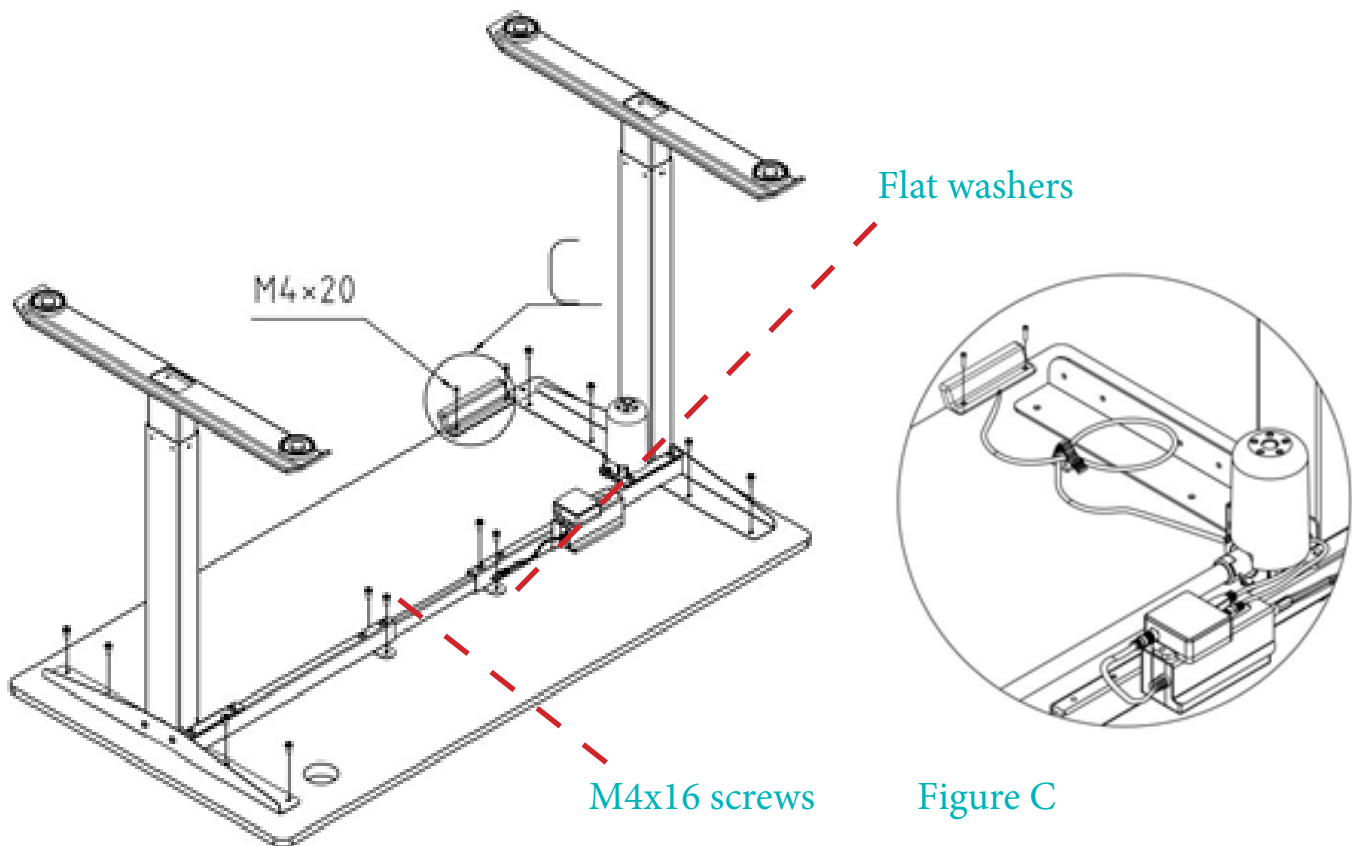
## STEP 5 - DESKTOP INSTALLATION

- 1) Place desktop on desk frame and match holes to rubber pads.
- 2) Screw in 12 M4x16 screws with 12 flat washers to visible holes to connect the legs to the tabletop
- 3) Use two M4x20 screws to install handset to preferred side of the desktop
- 4) Install the handset on the desktop and connect power supplies, as shown in in Figure C

Bolts 12pcs M4x16

Its 2pcs M4x20

Flat washers



**Note\*** Diagram is flipped to show components.

# STEP 6 - CONNECT LEGS WITH BAR

- 1) Insert the hexagon bar, as shown in Figure D
- 2) To connect transmission parts, tighten bolts, as shown in Figure E
- 3) Tighten the nut of the transmission tube, as shown in Figure F

2.5mm Hexagon Wrench (included in box)

Hook Spanner

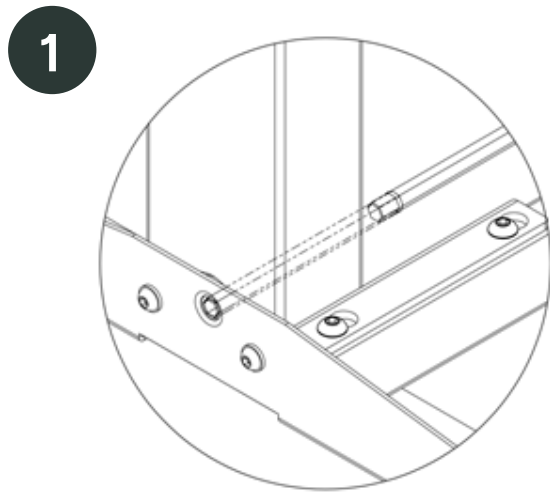


Figure D

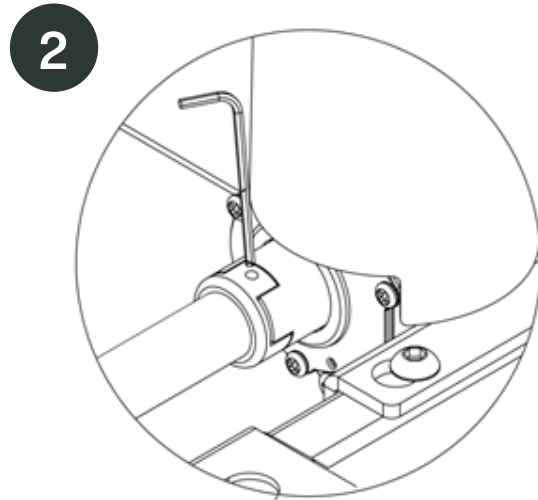


Figure E

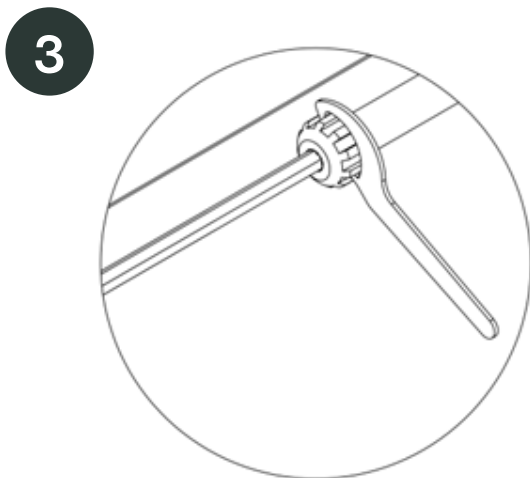
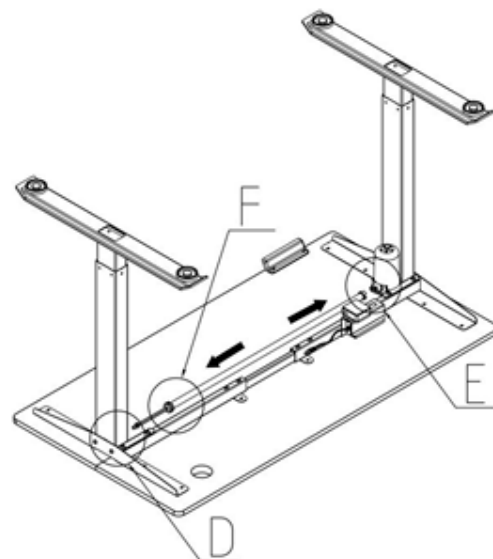
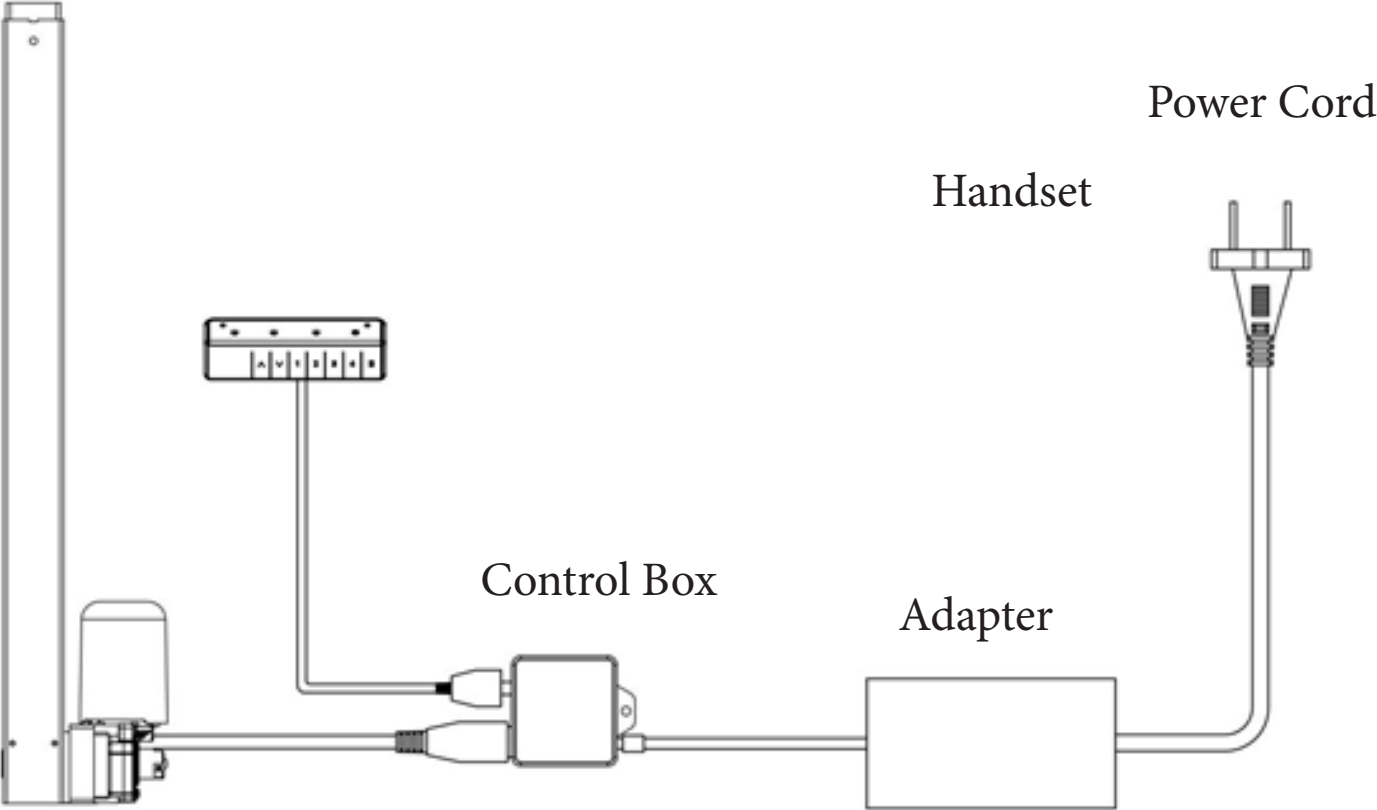


Figure F



# Step 7 - Cable Connection

Lifting Column



## Step 8 - Save Height Settings

# Congratulations

## You've assembled your Risedesk

You're almost fully set up. Now to set up your specified height functions

- 1) Plug the power cord into an outlet.
- 2) Use the arrow keys to move your desk to your desired height.
- 3) Once your desk is at your desired height press the M button.
- 4) Press on any numbered button to save that specific height.
- 5) Repeat steps 1 through 4 to save heights to other numbered buttons.

### **Troubleshooting:**

*\*If desktop does not raise properly ensure that your control box is mounted properly on the deskframe.*

*\*If desktop does not raise past a certain point, ensure there is nothing obstructing above the table.*

*\*If only one leg moves, double check if everything is plugged in tightly.*

**Use Instructions**

# Troubleshoot

**\*\*\*Note:** Before using, the control box should be fixed flat at the bottom of the desktop, as there is a balance detection device in the control box. A reset prompt "rES" will appear if not flat. When "rES" appears, please press the reset method to restore factory Settings.

## Reset

When the handset displays "rES", reset is required. Press and hold the down button, after 5 seconds the desk will begin to lower to the lowest height then slightly rise. Reset finished. Release the down button.

## Child lock

The handset can be locked to prevent accidental activation or movement of the desk. Hold "UP" and "DOWN" buttons at the same time for 5 seconds. Handset will display "LOC", and will be locked. Hold "UP" and "DOWN" buttons for 5 seconds to unlock.

# Handset Displays Error Codes and Solutions

NO.	Error Codes	Troubleshooting
1	Hot	<p>1.1 Wait 18 Minutes</p> <p>1.2 Pull out power cable (until no display on handset) then plug in the power cord again. The error code will automatically disappear.</p>
2	RESET	<p>When the handset displays "rES", reset is required. Press and hold the down button, after 5 seconds the desk will begin to lower to the lowest height then slightly rise. Reset finished. Release the down button.</p>
3	E01/E02	<p>3.1 Check the cables and make sure they're connected. Wait 3 seconds, the error code will disappear.</p> <p>3.2 Wait 3 seconds, the error code will disappear. If not, contact Risedesk.</p> <p>3.3 Remove overweight items, and then code will disappear.</p>
4	E06	<p>Follow "Reset" instructions.</p>
5	E07	<p>Remove weights over 260 lbs.</p>
6	E08	<p>Ensure power outlet is 110 volts, then the error code will disappear.</p>
7	E09	<p>Ensure power outlet is 110 volts, then the error code will disappear.</p>
8	E10	<p>After connecting the control box to power, plug in the handset. Wait 1 second, and the error code will disappear.</p>



# Handset Operation Instructions

# Meaning of each key function

- HEIGHT 1 - 4** ..... Return key (return to the previous menu)  
*If you want to set several functions at the same time, you can directly return to continue setting through 1 key without exiting the background*
- UP Key** ..... Last page (switch to the previous interface of the current menu page)
- DOWN Key** ..... Next page (switch to the next interface of the current menu page)
- M** ..... Confirmation key (confirm to enter the next menu of the current interface or confirm to select the current parameter item)

## How to enter the background of manual controller

1. Press "M" button and hold 3 seconds, handset display "S--", Release "M" button,
2. Press "M" button to enter, Display " 1Un"
3. Press UP or Down to find "1Un~12D" different functions

Code	Function	Sub Function	Setting Method
1Un	Display Units	51 (initial)	Press "M" button to enter the first function programming setting, It will display 51, Press "M" button to confirm, wait 2 seconds, It will display current height (cm), centimeters setting is done
		1 n	After it displays 51, press UP or DOWN, It will display 1 n, Press button "M" to confirm, Wait 2 seconds, It will display current height (Inch), inches setting is done
2br	Handset Display Brightness	n (initial)	Press "M" button to enter, It will display n, Press "M" button to confirm. Wait for 2 seconds, It will display current height, the medium brightness setting is completed
		L	After it display n, press UP or DOWN, It will display L, Press "M" button to confirm. Wait for 2 seconds, It will display current height, the low brightness setting is completed
		H	After it display n, press UP or DOWN, It will display H, Press "M" button to confirm. Wait for 2 seconds, It will display current height, the high brightness setting is completed

3bE	Setting Voice	OFF (initial)	Press "M" button to enter, It will display OFF , Press "M" button to confirm. Wait for 2 seconds, It will display current height,the no voice setting is completed
		On	After it display OFF ,press UP or DOWN ,It will display, Press "M" button to confirm. Wait for 2 seconds, It will display current height,the bee voice setting is completed
4Fu	Go up anti-collision sensitivity	L0~L9	Press "M" button to enter, It will display L5 (Initial), Press UP or Down to select the your favorite level,- Press "M" button to confirm, Wait for 2 seconds, It will display current height, the setting is completed ("L1" is the most sensitivity setting, "L9" is the least sensitivity setting."L0" is to turn off this function, "L5" is about 15kg)
6FS	Balance Sensitivity	L0~L9	Press "M" button to enter,It will display L5 (Initial) , Press UP or Down to select the your favorite level,- Press "M" button to confirm, Wait for 2 seconds, It will display current height, the setting is completed ("L1" is the most sensitivity setting, "L9" is the least sensitivity setting."L0" is to turn off this function, "L5" is about 3 degrees)

7SH	Setting the new lowest display range and height range	$H_1 b$ $10 \leq H_1 b \leq 100$	<p>Press "M" button to enter, It will display <math>H_1 b</math>, Press "M" button to enter, It will display current lowest height, Press UP or DOWN to set the lowest height display your need, Press "M" to confirm, It will display current height, the setting is completed</p> <p><math>H_1 b</math>: Set the lowest position height display, The adjustable range is 10-100mm.</p>
		$L_1 L$ $H_1 b \leq L_1 L$ $\leq L_1 H - 100$	<p>Press UP or DOWN, It will display <math>L_1 L</math>, Press "M" button to enter, It will display current lowest height, Press UP to set a lowest height position, Press "M" to confirm. It will display current height, the setting is completed</p> <p><math>L_1 L</math>: Set a new minimum desk height, The <math>L_1 L</math> height should be greater than <math>H_1 b</math> height.</p>
		$L_1 H$ $L_1 L + 100 \leq$ $L_1 H \leq H_1 b$ +stroke	<p>Press UP or DOWN, It will display <math>L_1 H</math>, Press "M" button to enter, It will display current highest height, Press DOWN to set a new highest height position, Press "M" to confirm. It will display current height, the setting is completed.</p> <p><math>L_1 H</math>: Set a new maximum desk height, The height <math>L_1 H</math> should be more than 100 mm higher than <math>L_1 L</math> height.</p>

8Hc	Setting Costant-touch	00   (initial)	<p>Press “M” button to enter, It will display current mode 00  , Press "M" to confirm. It will display current height, the setting is completed</p> <p>00   : Keep pressing UP or DOWN button to make the desk moving up or down.</p>
	& One-touch for go Up or Down	002	<p>Press UP or DOWN, It will display 002, Press "M" to confirm. It will display current height, the setting is completed.</p> <p>002 : Press UP or DOWN button and release,the desk will moving up or down automatically; Press any button can stop the desk when it moving.</p>
9St	Reminder setting	0.0H(Initial)	<p>Press “M” to enter, It will display “0.0H”, It no time reminder, (H means Hour) Press UP or DOWN to select the time reminder you need (1.5H means 1.5 hours), Press “ M” to confirm. It will display current height,the setting is completed.</p> <p>Note: When handset time reminder beep, press any button to make it disappear; the time reminder will last 30 seconds if no any operations.</p> <p>The adjustable range is 0.0H-9.5H.</p>

10H	Setting bounce height		Press "M" button to enter, It will show current bounce height (005) Press up or down to fine tune the bounce height. The adjustable range is 5-20m, Press "M" to confirm; Wait 2 seconds, It will display current height.
11r	Restore Factory Defaults	FrE	Press "M" to enter, It will display FrE and flash. Press "M" to confirm, wait 2 seconds, It will display "RES", reset is required.
12d	Fatigue test mode	PR_	Please ignore this program for fatigue test before shipment.

## Notice


1. This product must be used under the correct technical parameters.
2. Keep away from liquids, corrosive gases, dusty environment.
3. Contact us when necessary.

# RISEDESK

Toronto, Canada

[happy@risedesk.io](mailto:happy@risedesk.io)

[www.risedesk.io](http://www.risedesk.io)

 [@risedesk.io](https://www.instagram.com/risedesk.io)