

ASSEMBLY INSTRUCTIONS

Dual Motor Standing Desk

RISEDESK



**Welcome to #risefam!
You are just a 30
minute setup away
from improving your
health. We are so
excited to have you
join our community!**

- Mike & Michael



Feel free to start your installation journey by scanning the QR code and scrolling down to assembly for a video tutorial or turn to the next page for step 1.



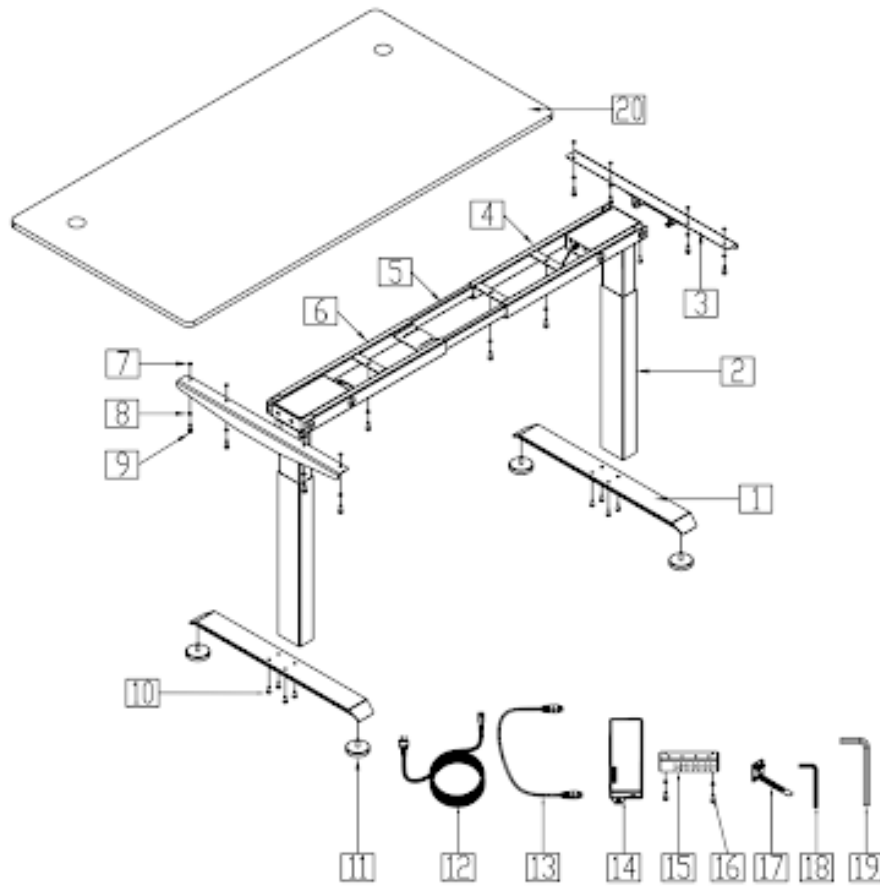
If you have any questions regarding our products or assembly, please contact us at happy@risedesk.io

RISEDESK



TABLE OF CONTENTS

Part Inventory	4
Assembly Instructions	5
Step 1 - Extending Frame	6
Step 2 - Lifting Columns	7
Step 3 - Connecting Columns & Brackets	8
Step 4 - Feet & Feet Pads	9
Step 5 - Rubber Pads	10
Step 6 - Desktop Installation	11
Step 7 - Cable Connection	12
Step 8 - Save Height Settings	13
Technical Specifications	14
Troubleshoot	15
Reset	15
Child Lock	15
Error Code Solutions	16
Handset Operation Instructions	17 - 23



NO.	COMPONENT NAME	PCS
1	Feet	2
2	Lifting Column	2
3	Bracket	2
4	Framework 1	1
5	Extendable Rod	
6	Framework 2	
7	Rubber Pad	12 + 1
8	M4 Flat Pad	12 + 1
9	M4x16 Screws	12 + 1
10	M6x16 Screws	12 + 1

NO.	COMPONENT NAME	PCS
11	Feet Pad	4
12	Power Cord	1
13	Patch Cord	2
14	Control Box	1
15	Handset	1
16	M4x20 Screws	2 + 1
17	Tie	5
18	Wrench(4mm)	1
19	Wrench(3mm)	1
20	Desktop	1

Note: All screws and pads include one additional piece.

Assembly Instructions

STEP 1 - EXTENDING FRAME

- 1) Partially untighten 8 screws with provided allen key.
- 2) Extend frame open approximately 1 foot.

Tool: 4mm Wrench (included in box)

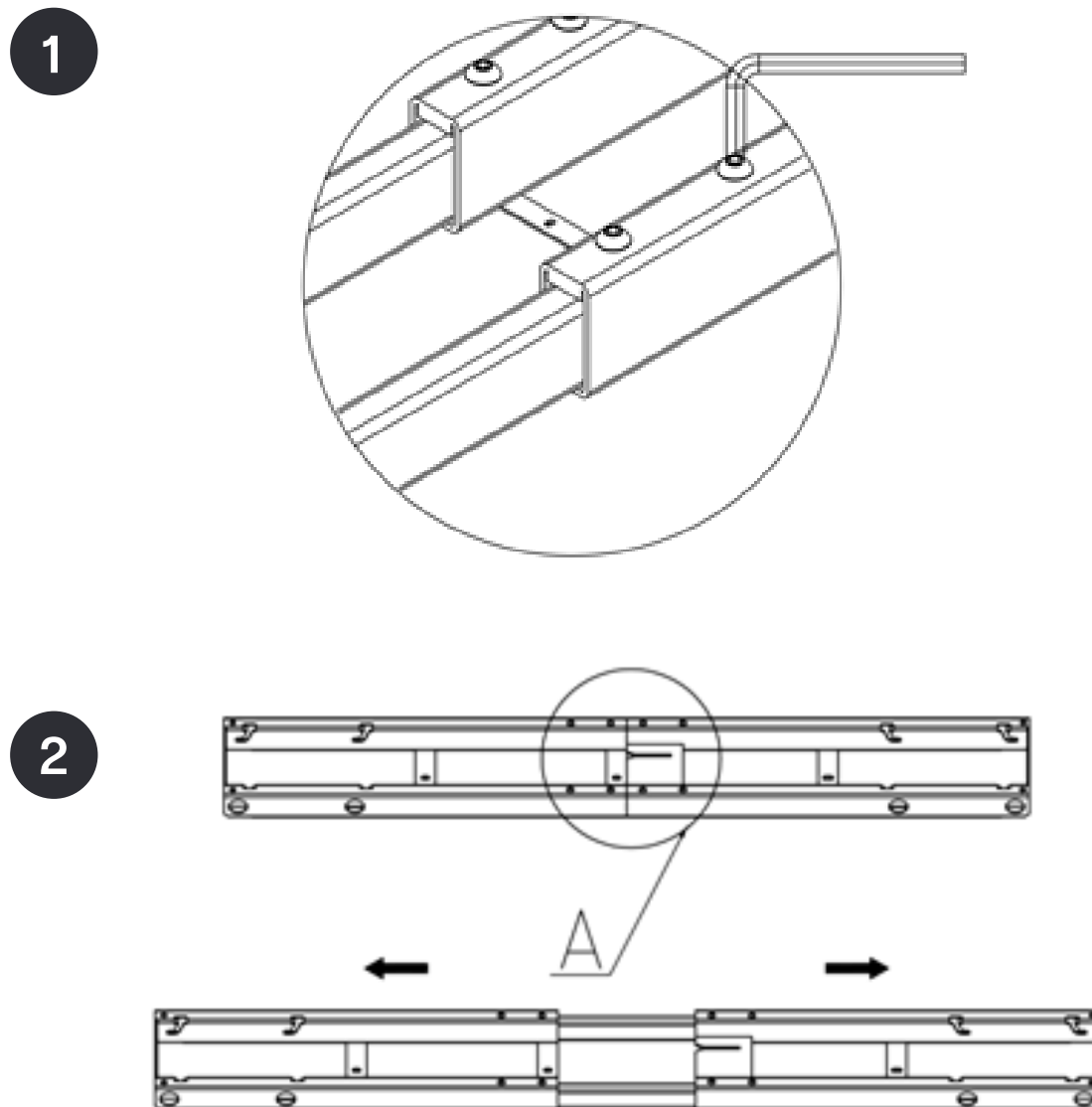


Figure A

STEP 2 - LIFTING COLUMNS

Put the lifting columns into the frame, tighten the pre-screwed 8 M6x16 bolts on lifting columns, as show in figure B.

Pre-screwed bolt in lifting columns

Tool: 4mm Wrench (included in box)

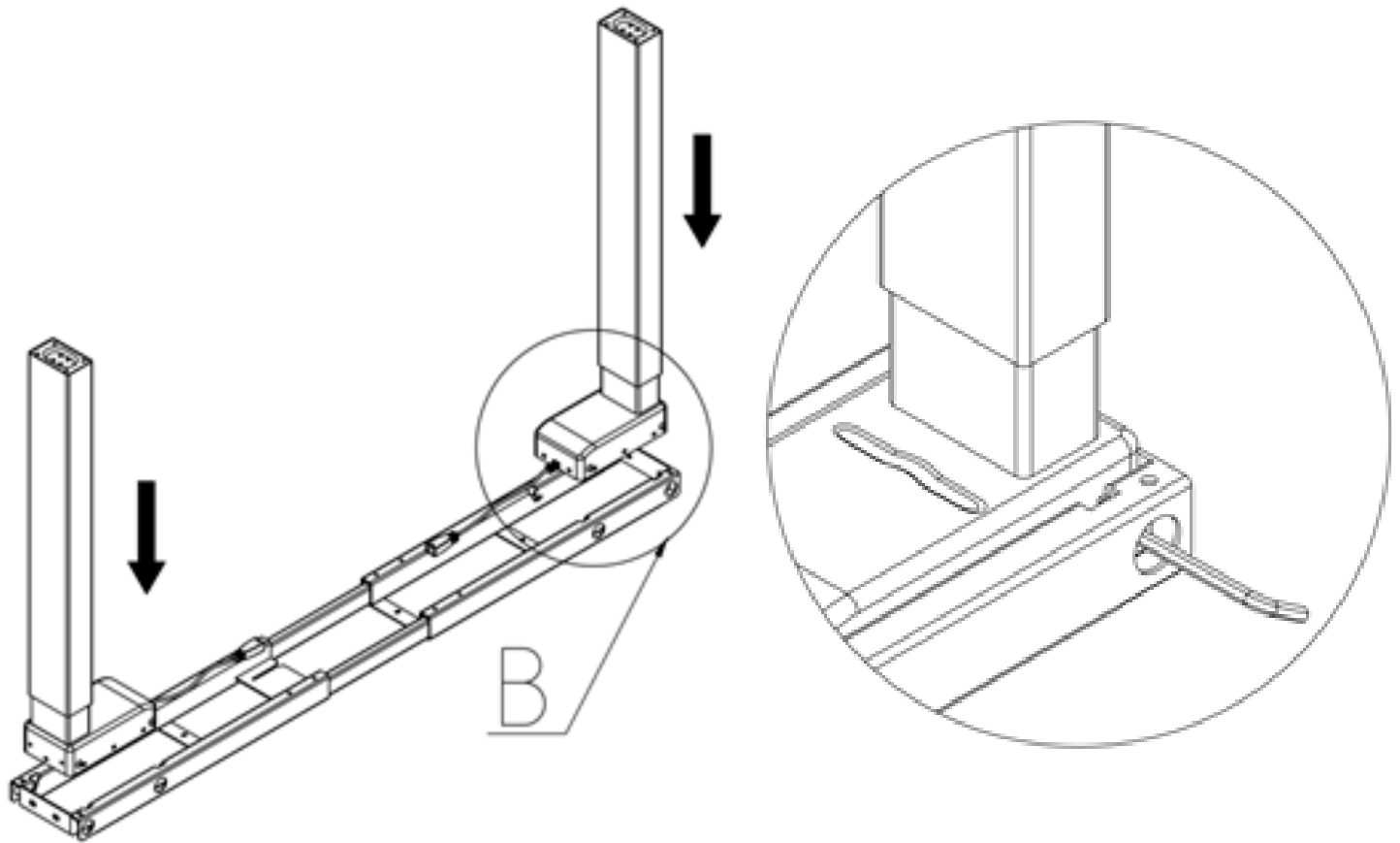


Figure B

Note: If lifting column does not slide in to frame, slightly loosen the pre-screwed bolts before.

STEP 3 - CONNECTING COLUMNS & BRACKETS

Insert connecting blocks of the bracket into the frame top, tighten together with bolts, as shown in figure C.

Pre-screwed bolt: 4pcs M6x16

Tool: 4mm Wrench (included in box)

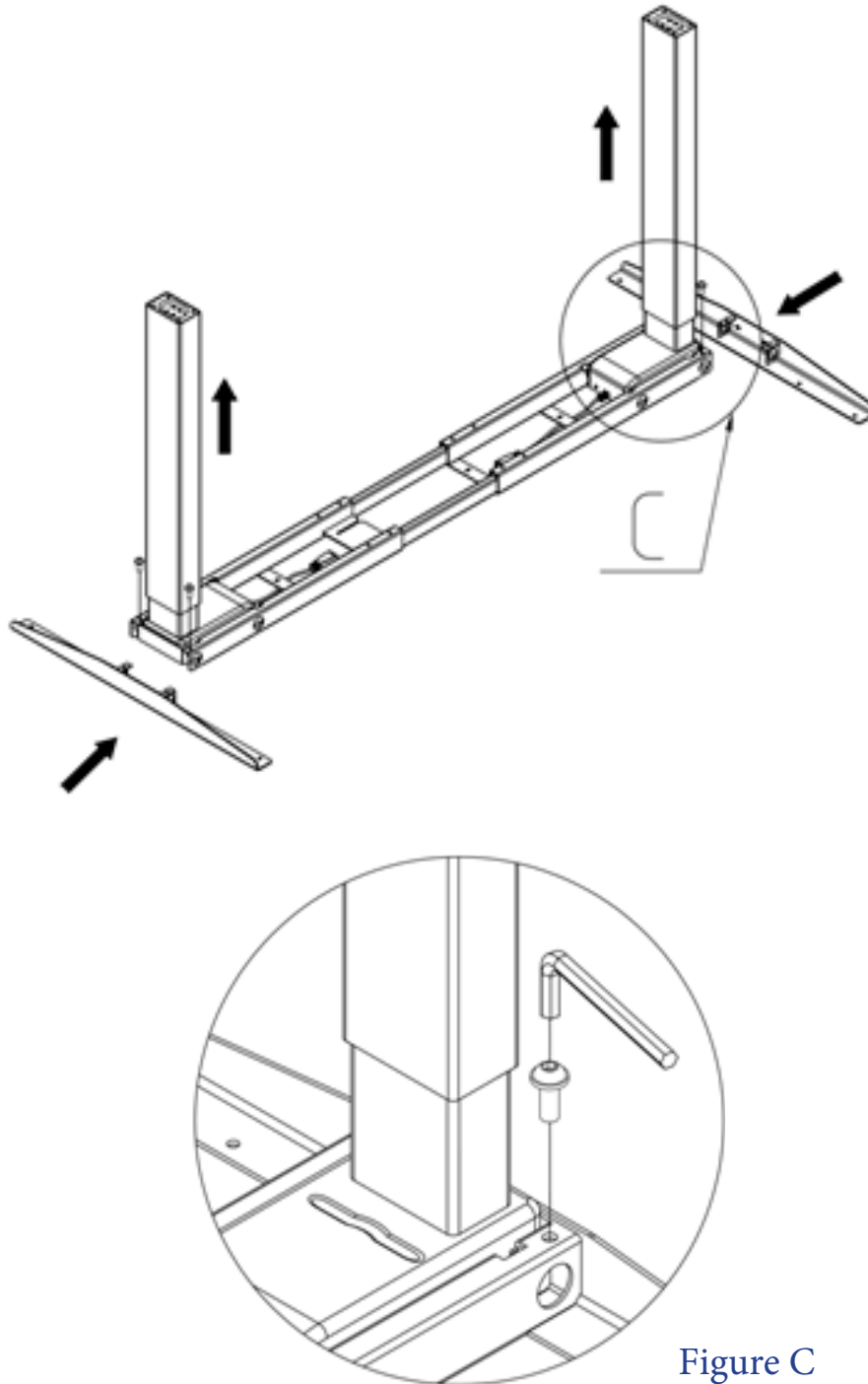


Figure C

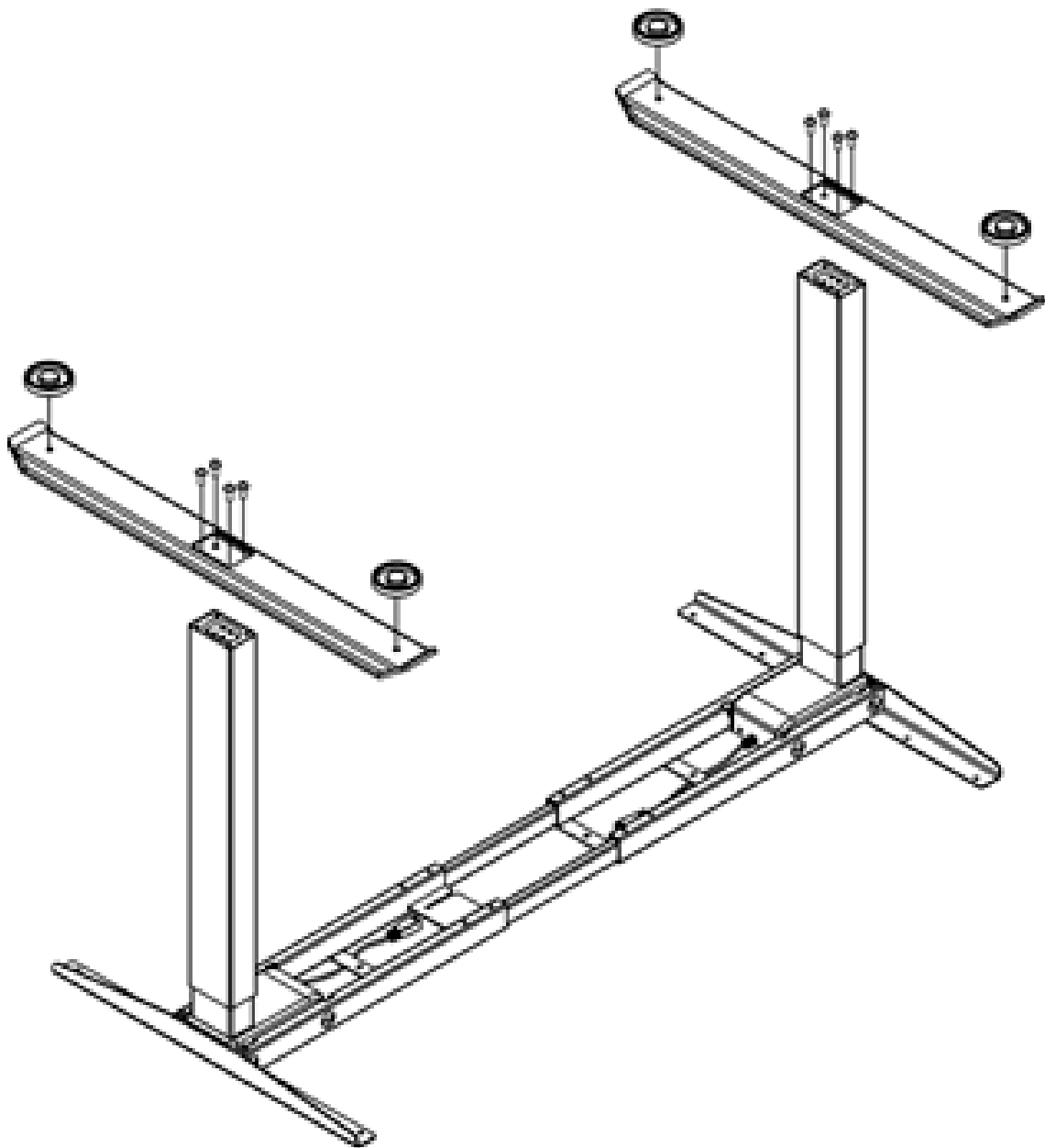
STEP 4 - FEET & FEETPADS

- 1) Install the Feet on the lifting columns and tighten with bolts.
- 2) Tighten the feet pads.

Pre-screwed bolt: 8pcs M6x16

Tool: 4mm Wrench (included in box)

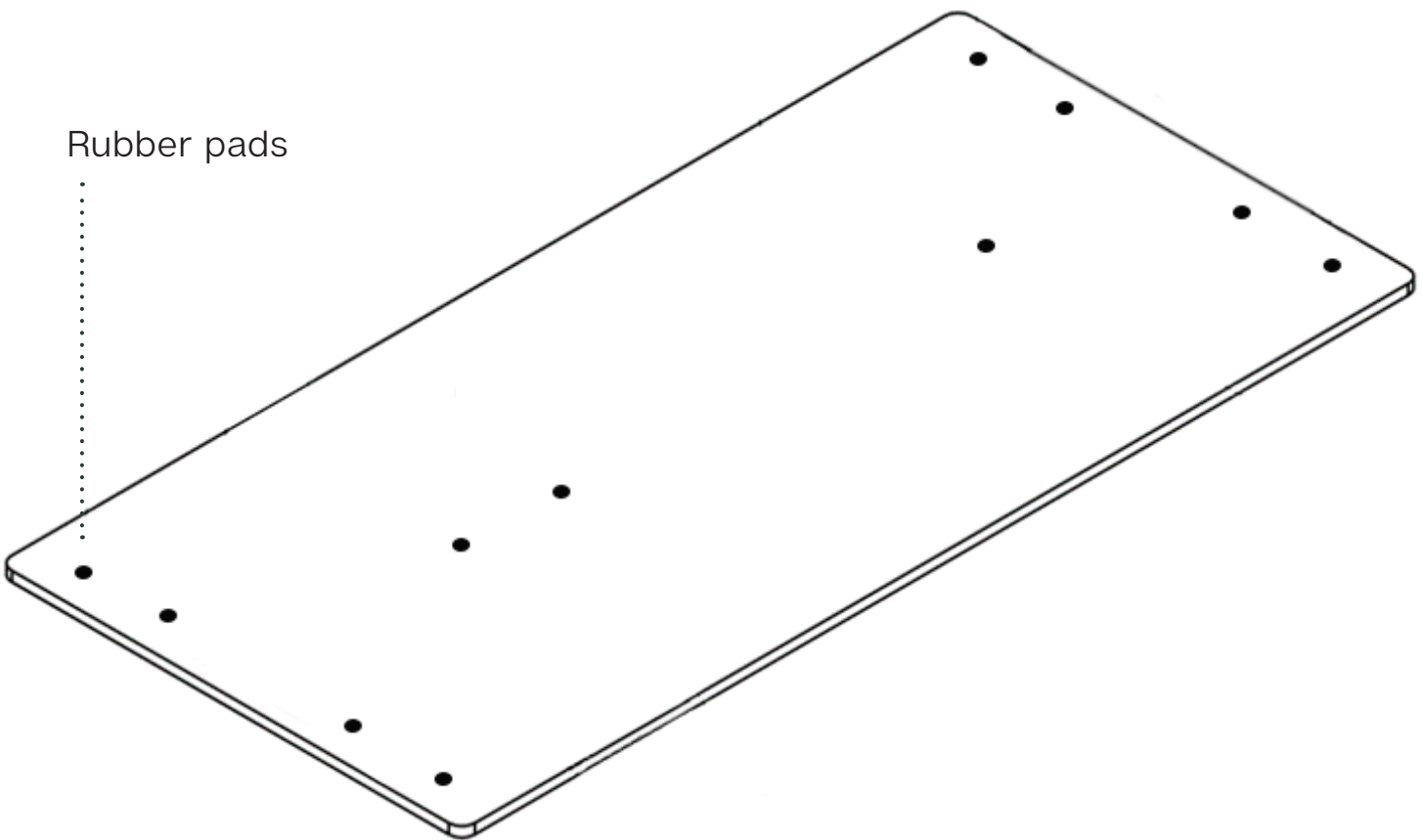
Feet pads (4pcs)



STEP 5 - RUBBER PADS

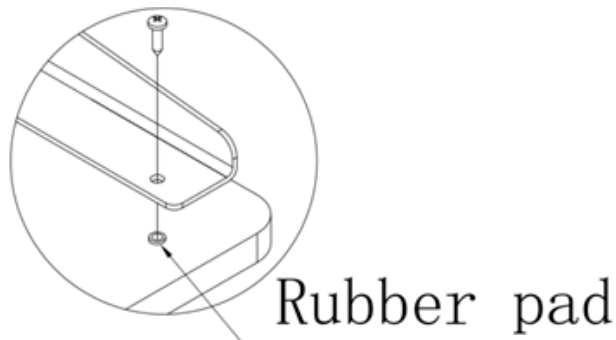
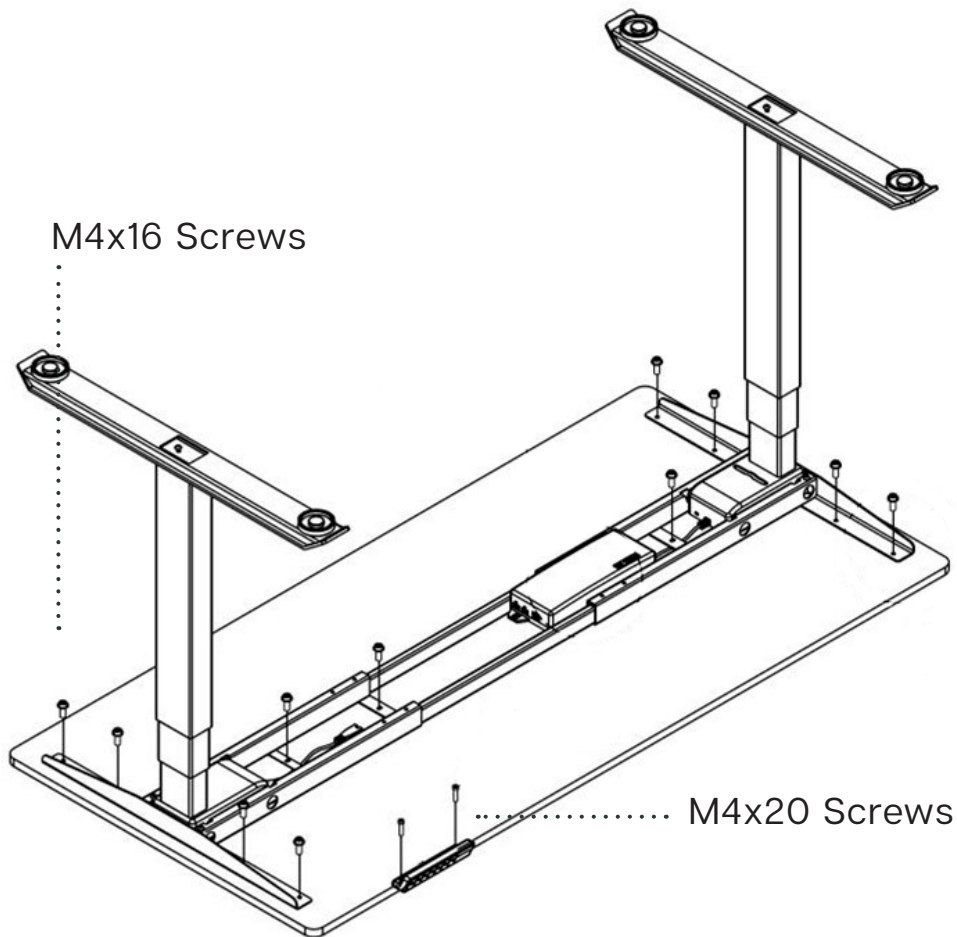
Stick the 12 rubber pads on the holes on the underside of the desk top table.

12 rubber pads

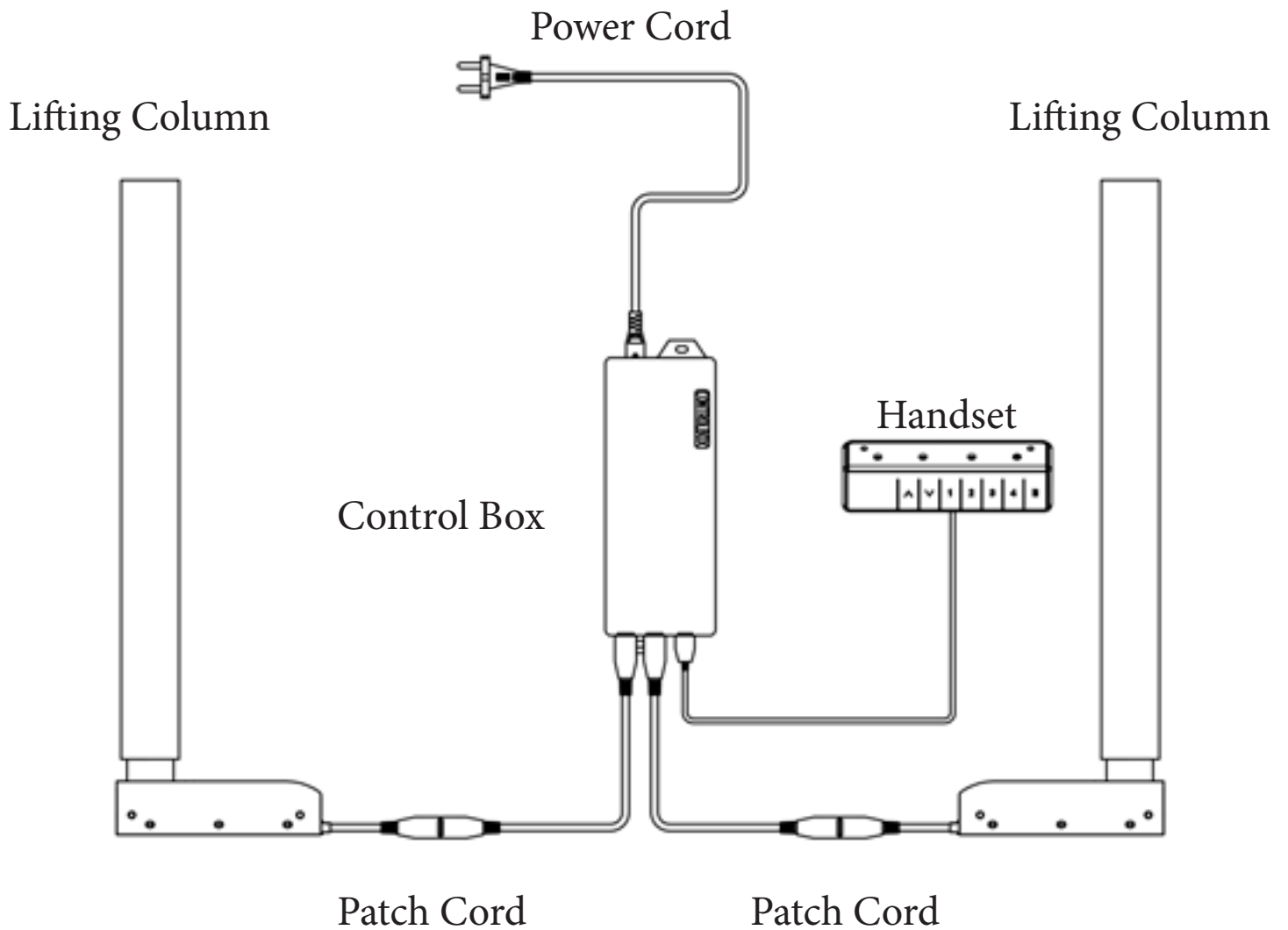


STEP 6 - DESKTOP INSTALLATION

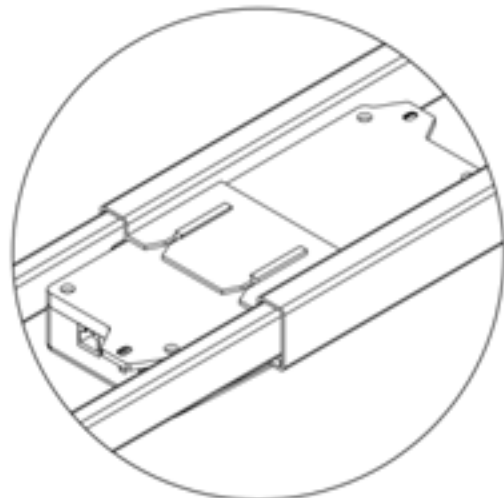
- 1) Place desk frame on desktop matching holes to rubber pads.
- 2) Screw in 11 M4x16 screws in visible holes to connect frame and top.
- 3) Use two M4x20 screws to install handset to preferred side of the desktop



Step 7 - Cable Connection



Mount control box in the designated slots on the desk frame underneath the desk.



Step 8 - Save Height Settings

Congratulations

You've assembled your Risedesk

You're almost fully set up. Now to set up your specified height functions

- 1) Plug the power cord into an outlet.
- 2) Use the arrow keys to move your desk to your desired height.
- 3) Once your desk is at your desired height press the M button.
- 4) Press on any numbered button to save that specific height.
- 5) Repeat steps 1 through 4 to save heights to other numbered buttons.

Troubleshooting:

**If desktop does not raise properly ensure that your control box is mounted properly on the deskframe.*

**If desktop does not raise past a certain point, ensure there is nothing obstructing above the table.*

**If only one leg moves, double check if everything is plugged in tightly.*

Use Instructions

Troubleshoot

*****Note:** Before using, the control box should be fixed flat at the bottom of the desktop, as there is a balance detection device in the control box. A reset prompt "rES" will appear if not flat. When "rES" appears, please press the reset method to restore factory Settings.

Reset

When the handset displays "rES", reset is required. Press and hold the down button, after 5 seconds the desk will begin to lower to the lowest height then slightly rise. Reset finished. Release the down button.

Child lock

The handset can be locked to prevent accidental activation or movement of the desk. Hold "UP" and "DOWN" buttons at the same time for 5 seconds. Handset will display "LOC", and will be locked. Hold "UP" and "DOWN" buttons for 5 seconds to unlock.

Handset Displays Error Codes and Solutions

NO.	Error Codes	Troubleshooting
1	Hot	<p>1.1 Wait 18 Minutes</p> <p>1.2 Pull out power cable (until no display on handset) then plug in the power cord again. The error code will automatically disappear.</p>
2	RESET	<p>When the handset displays "rES", reset is required. Press and hold the down button, after 5 seconds the desk will begin to lower to the lowest height then slightly rise. Reset finished. Release the down button.</p>
3	E01/E02	<p>3.1 Check the cables and make sure they're connected. Wait 3 seconds, the error code will disappear.</p> <p>3.2 Wait 3 seconds, the error code will disappear. If not, contact Risedesk.</p> <p>3.3 Remove overweight items, and then code will disappear.</p>
4	E06	<p>Follow "Reset" instructions.</p>
5	E07	<p>Remove weights over 260 lbs.</p>
6	E08	<p>Ensure power outlet is 110 volts, then the error code will disappear.</p>
7	E09	<p>Ensure power outlet is 110 volts, then the error code will disappear.</p>
8	E10	<p>After connecting the control box to power, plug in the handset. Wait 1 second, and the error code will disappear.</p>

Handset Operation Instructions

Meaning of each key function

- HEIGHT 1 - 4** Return key (return to the previous menu)
If you want to set several functions at the same time, you can directly return to continue setting through 1 key without exiting the background
- UP Key** Last page (switch to the previous interface of the current menu page)
- DOWN Key** Next page (switch to the next interface of the current menu page)
- M** Confirmation key (confirm to enter the next menu of the current interface or confirm to select the current parameter item)

How to enter the background of manual controller

1. Press "M" button and hold 3 seconds, handset display "S--", Release "M" button,
2. Press "M" button to enter, Display " 1Un"
3. Press UP or Down to find "1Un~12D" different functions

Code	Function	Sub Function	Setting Method
1Un	Display Units	51 (initial)	Press "M" button to enter the first function programming setting, It will display 51, Press "M" button to confirm, wait 2 seconds, It will display current height (cm), centimeters setting is done
		1 n	After it displays 51, press UP or DOWN, It will display 1 n, Press button "M" to confirm, Wait 2 seconds, It will display current height (Inch), inches setting is done
2br	Handset Display Brightness	n (initial)	Press "M" button to enter, It will display n, Press "M" button to confirm. Wait for 2 seconds, It will display current height, the medium brightness setting is completed
		L	After it display n, press UP or DOWN, It will display L, Press "M" button to confirm. Wait for 2 seconds, It will display current height, the low brightness setting is completed
		H	After it display n, press UP or DOWN, It will display H, Press "M" button to confirm. Wait for 2 seconds, It will display current height, the high brightness setting is completed

3bE	Setting Voice	OFF (initial)	Press "M" button to enter, It will display OFF , Press "M" button to confirm. Wait for 2 seconds, It will display current height,the no voice setting is completed
		On	After it display OFF ,press UP or DOWN ,It will display, Press "M" button to confirm. Wait for 2 seconds, It will display current height,the bee voice setting is completed
4Fu	Go up anti-collision sensitivity	L0~L9	Press "M" button to enter, It will display L5 (Initial), Press UP or Down to select the your favorite level,- Press "M" button to confirm, Wait for 2 seconds, It will display current height, the setting is completed ("L1" is the most sensitivity setting, "L9" is the least sensitivity setting."L0" is to turn off this function, "L5" is about 15kg)
6FS	Balance Sensitivity	L0~L9	Press "M" button to enter,It will display L5 (Initial) , Press UP or Down to select the your favorite level,- Press "M" button to confirm, Wait for 2 seconds, It will display current height, the setting is completed ("L1" is the most sensitivity setting, "L9" is the least sensitivity setting."L0" is to turn off this function, "L5" is about 3 degrees)

7SH	Setting the new lowest display range and height range	$H_1 b$ $10 \leq H_1 b \leq 100$	<p>Press "M" button to enter, It will display $H_1 b$, Press "M" button to enter, It will display current lowest height, Press UP or DOWN to set the lowest height display your need, Press "M" to confirm, It will display current height, the setting is completed</p> <p>$H_1 b$: Set the lowest position height display, The adjustable range is 10-100mm.</p>
		$L_1 L$ $H_1 b \leq L_1 L$ $\leq L_1 H - 100$	<p>Press UP or DOWN, It will display $L_1 L$, Press "M" button to enter, It will display current lowest height, Press UP to set a lowest height position, Press "M" to confirm. It will display current height, the setting is completed</p> <p>$L_1 L$: Set a new minimum desk height, The $L_1 L$ height should be greater than $H_1 b$ height.</p>
		$L_1 H$ $L_1 L + 100 \leq$ $L_1 H \leq H_1 b$ +stroke	<p>Press UP or DOWN, It will display $L_1 H$, Press "M" button to enter, It will display current highest height, Press DOWN to set a new highest height position, Press "M" to confirm. It will display current height, the setting is completed.</p> <p>$L_1 H$: Set a new maximum desk height, The height $L_1 H$ should be more than 100 mm higher than $L_1 L$ height.</p>

8Hc	Setting Costant-touch	00 (initial)	<p>Press “M” button to enter, It will display current mode 00 , Press "M" to confirm. It will display current height, the setting is completed</p> <p>00 : Keep pressing UP or DOWN button to make the desk moving up or down.</p>
	& One-touch for go Up or Down	002	<p>Press UP or DOWN, It will display 002, Press "M" to confirm. It will display current height, the setting is completed.</p> <p>002 : Press UP or DOWN button and release,the desk will moving up or down automatically; Press any button can stop the desk when it moving.</p>
9St	Reminder setting	0.0H(Initial)	<p>Press “M” to enter, It will display “0.0H”, It no time reminder, (H means Hour) Press UP or DOWN to select the time reminder you need (1.5H means 1.5 hours), Press “ M” to confirm. It will display current height,the setting is completed.</p> <p>Note: When handset time reminder beep, press any button to make it disappear; the time reminder will last 30 seconds if no any operations.</p> <p>The adjustable range is 0.0H-9.5H.</p>

10H	Setting bounce height		Press "M" button to enter, It will show current bounce height (005) Press up or down to fine tune the bounce height. The adjustable range is 5-20m, Press "M" to confirm; Wait 2 seconds, It will display current height.
11r	Restore Factory Defaults	FrE	Press "M" to enter, It will display FrE and flash. Press "M" to confirm, wait 2 seconds, It will display "RES", reset is required.
12d	Fatigue test mode	PR_	Please ignore this program for fatigue test before shipment.

Notice


1. This product must be used under the correct technical parameters.
2. Keep away from liquids, corrosive gases, dusty environment.
3. Contact us when necessary.

RISEDESK

Toronto, Canada

happy@risedesk.io

www.risedesk.io

 [@risedesk.io](https://www.instagram.com/risedesk.io)