

CAMELEON ▶



A NEW CONCEPT FOR STRUCTURAL REPAIR AND  
MEASUREMENT OF DAMAGED VEHICLES





## CAMELEON

Customizable fixture solution - Universal | Adjustable

REF NO: CAM01.102 | CAM02.142 | CAM02.162



A New concept for structural repair and measurement of damaged vehicles. Cameleon offers a complete and accurate structural repair solution for all the existing and future vehicles without the need for additional tools.



- ▶ **Online 3D software** ensures UP-TO-DATE vehicle database all the time
- ▶ Intuitive assembly layout facilitates quick construction of Cameleon fixtures
- ▶ No compromise in the accuracy level of repair
- ▶ Complete solution for measuring/diagnosis, anchoring, re-construction and repair with a unique technique for all the vehicles in the segment
- ▶ Facilitates the use of existing Celette benches, cross members, MZ towers and MZ+ pistons
- ▶ User-friendly software interface enables faster learning by body technicians
- ▶ Twice as efficient in terms of productivity compared to electronic measuring systems and so-called universal jig systems

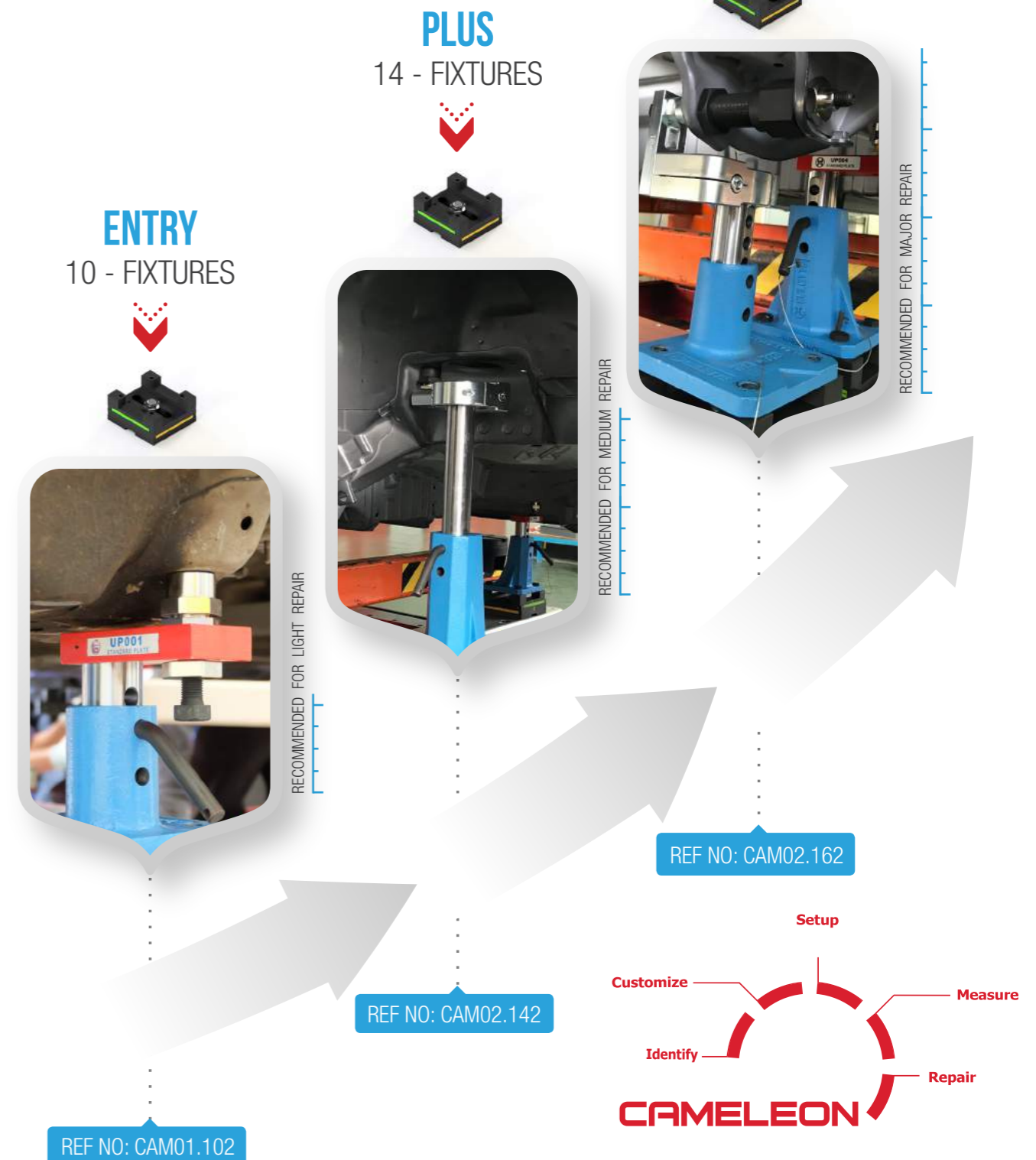
## CAMELEON

Customizable fixture solution - Universal | Adjustable

REF NO: CAM01.102 | CAM02.142 | CAM02.162



Build your own **JIGS** with **OEM 3D CAD** coordinates - Celette certified repair with Cameleon





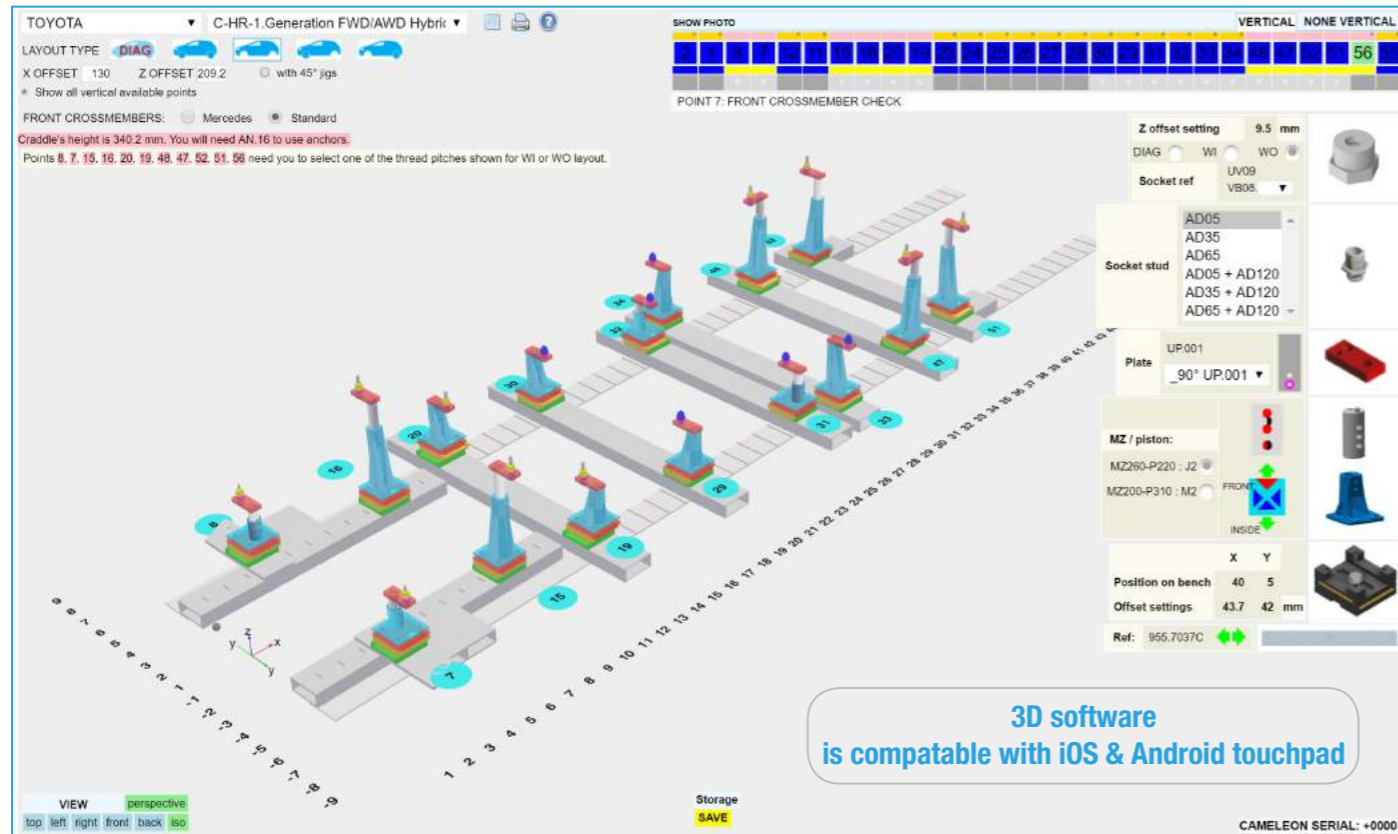
# CAMELEON

Customizable fixture solution - Universal | Adjustable

REF NO: CAM01.102 | CAM02.142 | CAM02.162



## USER INTERFACE - ISOMETRIC [3D] VIEW



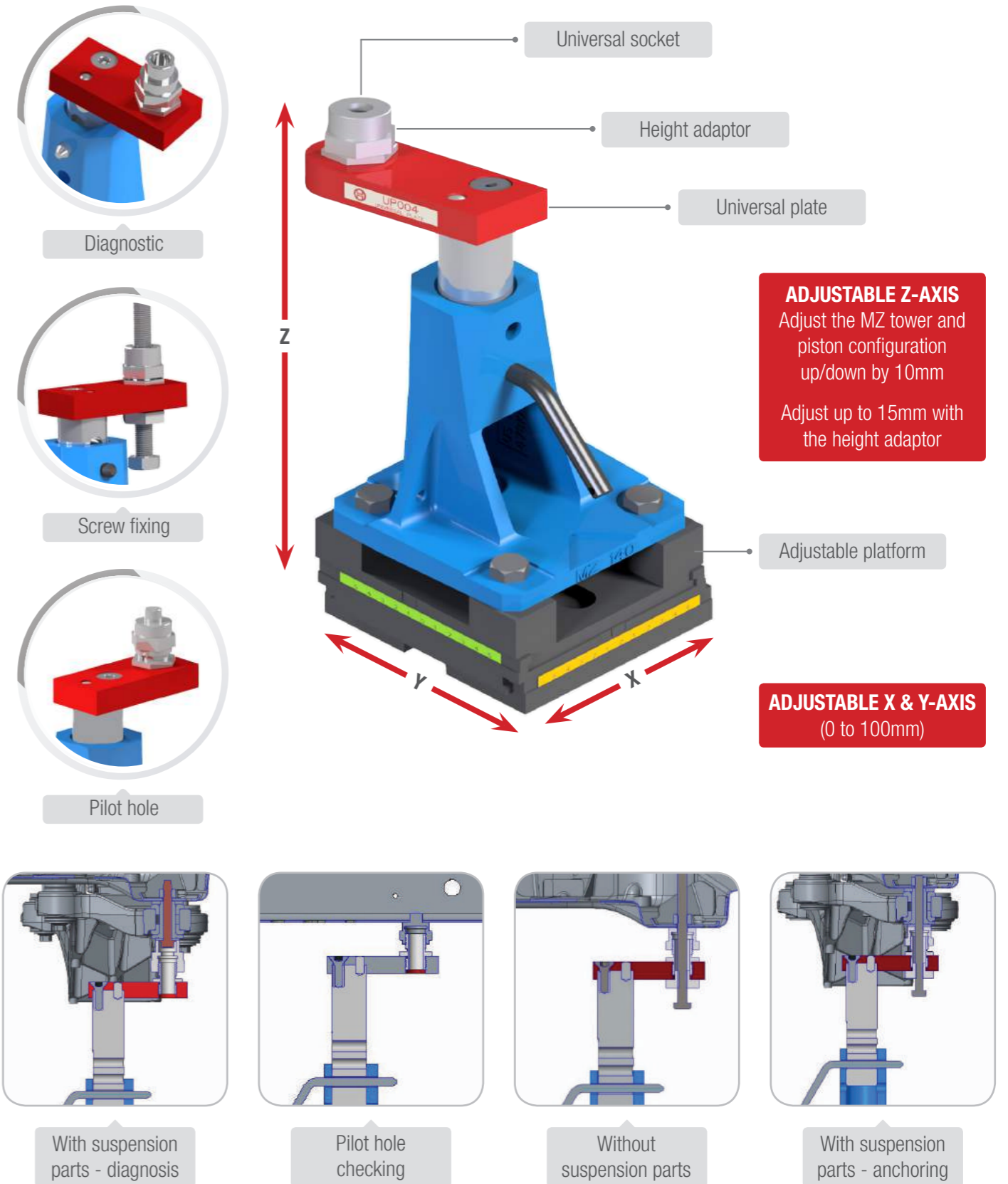
## PREMIUM / PLUS



# CAMELEON

Customizable fixture solution - Universal | Adjustable

REF NO: CAM01.102 | CAM02.142 | CAM02.162





## CAMELEON

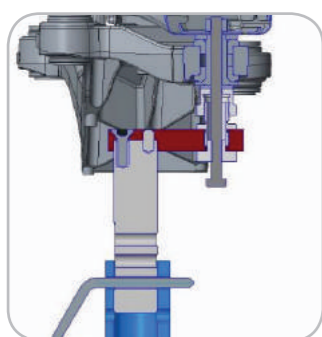
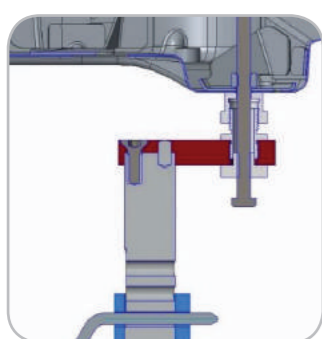
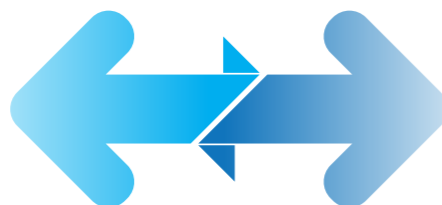
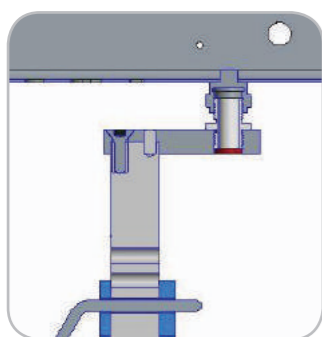
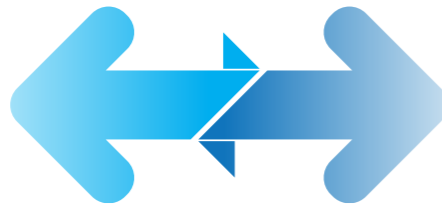
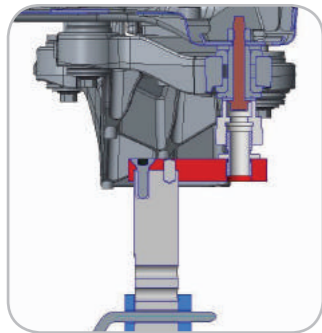
Customizable fixture solution - Universal | Adjustable

REF NO: CAM01.102 | CAM02.142 | CAM02.162



DIAGNOSTIC | POSITIONING | ANCHORING

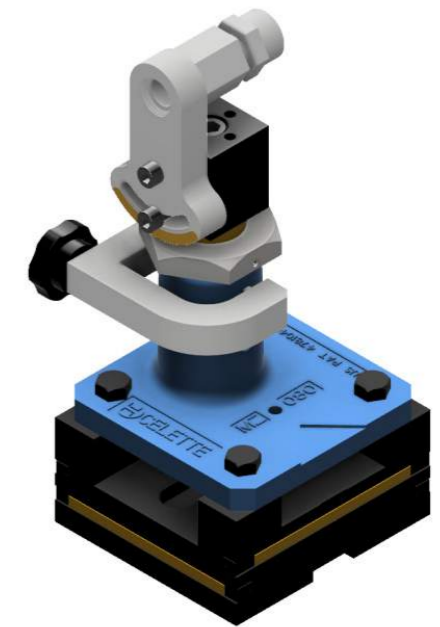
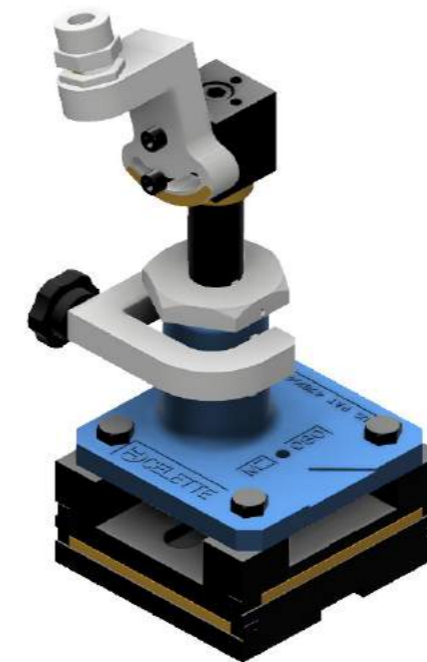
All what you need to perform an OEM recommended repair process



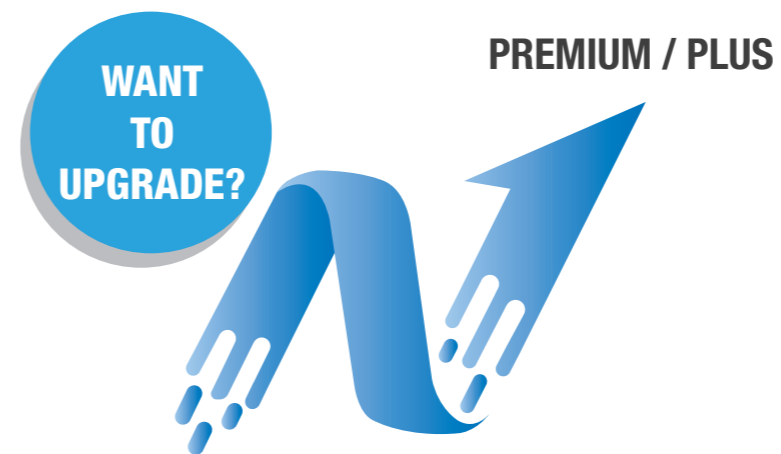
## CAMELEON

Customizable fixture solution - Universal | Adjustable

REF NO: CAM01.102 | CAM02.142 | CAM02.162



**ADDITIONAL HOLDING DEVICE**  
STANDARD SCOPE OF SUPPLY WITH  
ALL VARIANTS OF CAMELEON



### CAMELEON ENTRY

- CAM02.066  
ADD-ON KIT TO CAMELEON PREMIUM
- CAM02.042  
ADD-ON KIT TO CAMELEON PLUS



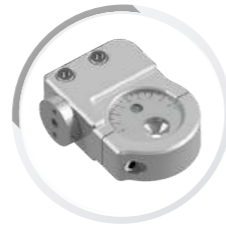
ALL THE COMPONENTS ARE  
ERGONOMICALLY PLACED INSIDE THE  
TROLLEY FOR MANEUVERABILITY



### CAMELEON

Customizable fixture solution - Universal | Adjustable

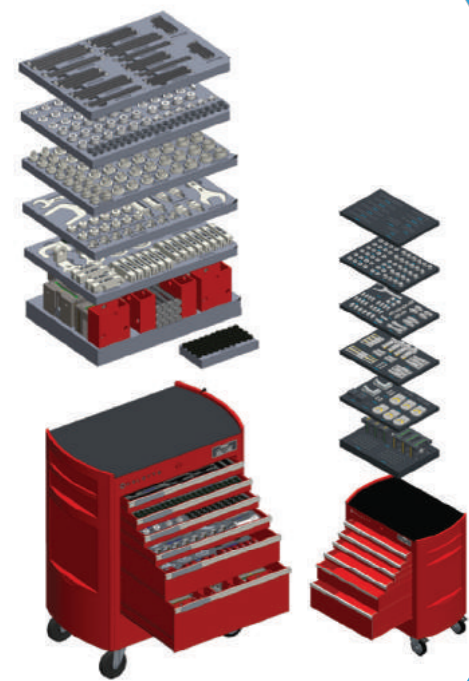
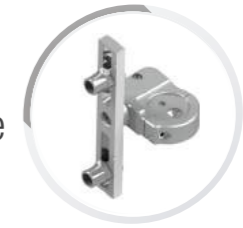
REF NO: CAM01.102 | CAM02.142 | CAM02.162



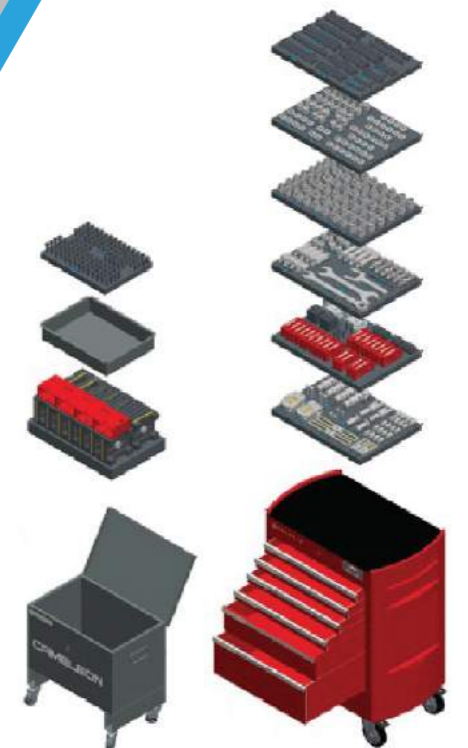
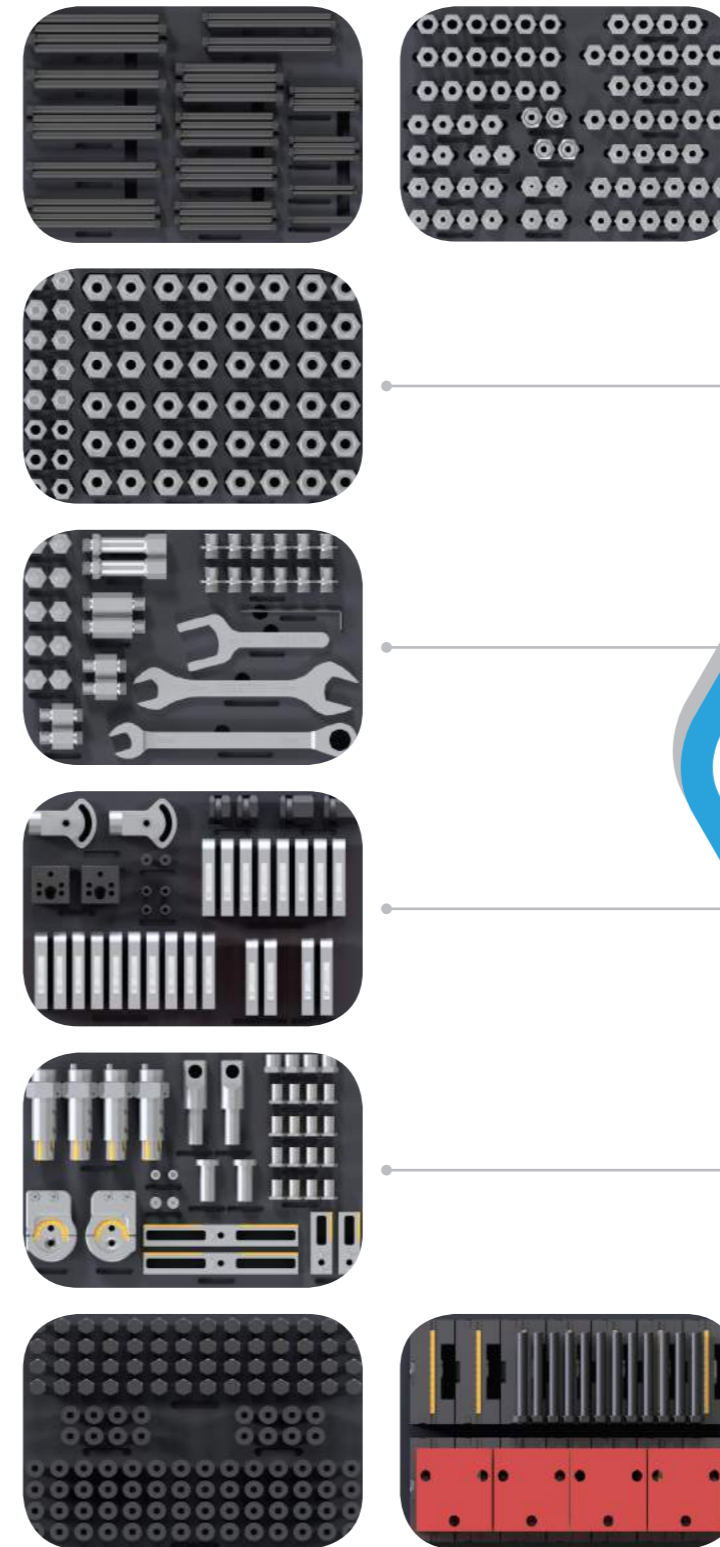
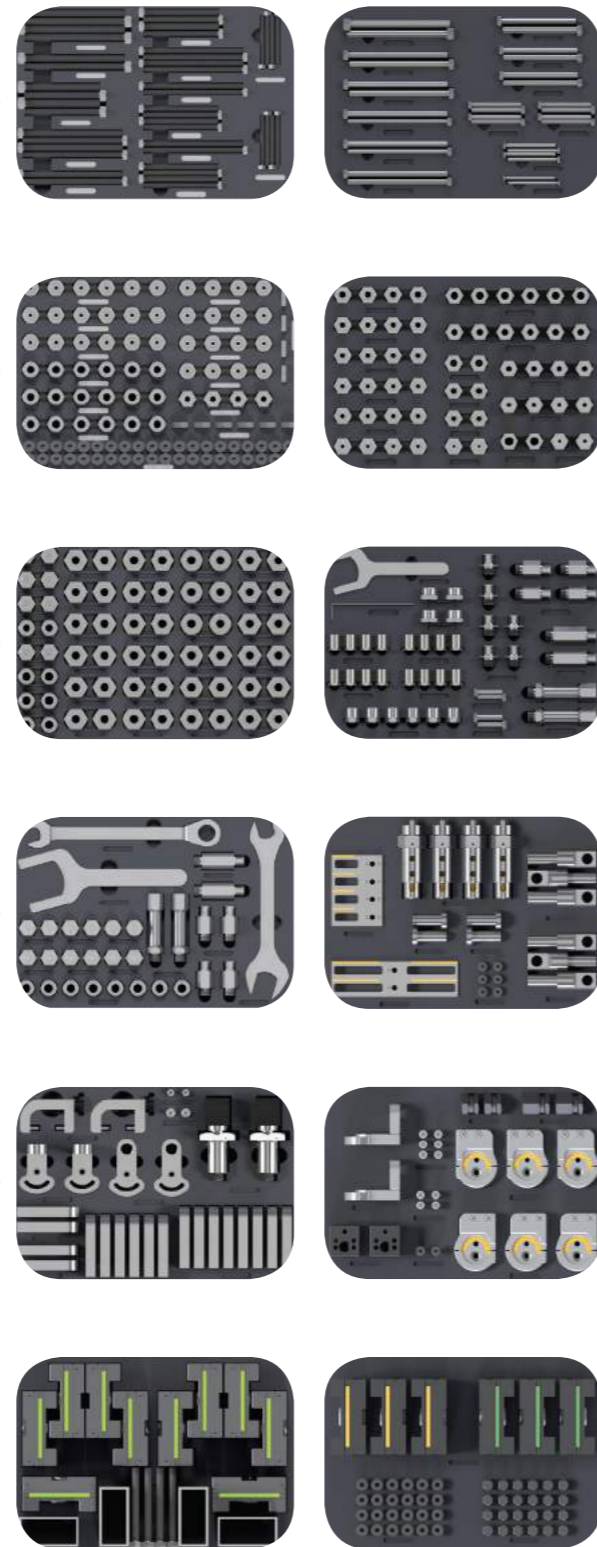
### CAMELEON

Customizable fixture solution - Universal | Adjustable

REF NO: CAM01.102 | CAM02.142 | CAM02.162



CAM02.162



CAM02.142

# CAMELEON PREMIUM

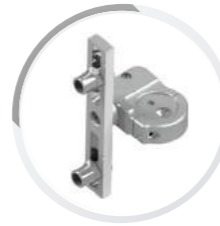
# CAMELEON PLUS



### CAMELEON

Customizable fixture solution - Universal | Adjustable

REF NO: CAM01.102 | CAM02.142 | CAM02.162

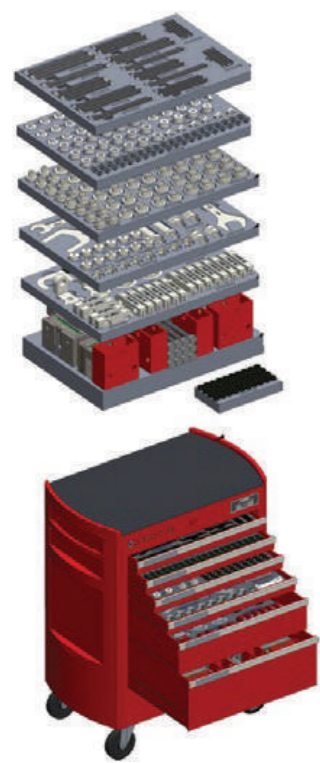
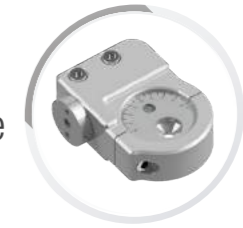


ONLY WITH PLUS & PREMIUM VARIANTS

### CAMELEON

Customizable fixture solution - Universal | Adjustable

REF NO: CAM01.102 | CAM02.142 | CAM02.162



CAM01.102



UPGRADE TO PLUS VARIANT REF NO: CAM02.042

UPGRADE TO PREMIUM VARIANT REF NO: CAM02.066



CAM02.042

CAM02.066

**CAMELEON**  
**ENTRY**

**CAMELEON**  
**ADD-ON KIT**





# ◀ CAMELEON








## CELETTE FRANCE SAS

3, Avenue Marcellin Berthelot 38200 Vienne – France

 +33 474 575 959

 [contact@celette.com](mailto:contact@celette.com)

 [www.celette.com](http://www.celette.com)

