

Rev.01



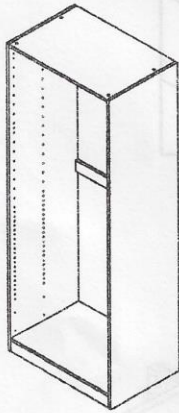
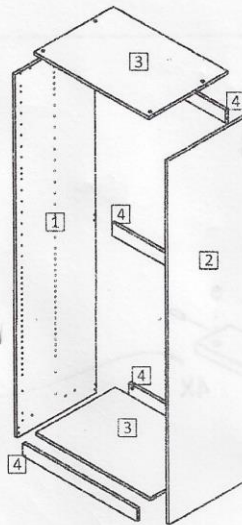
REF.: MCL001

**ASSEMBLY INSTRUCTIONS:**

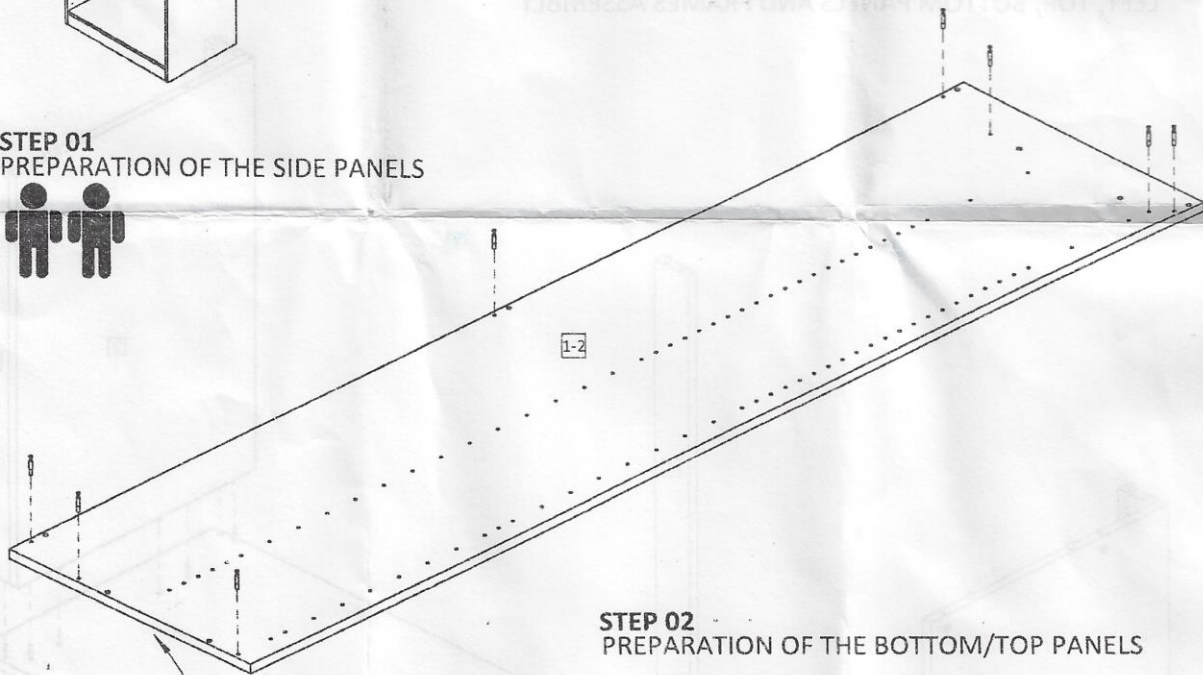
- 1- PLEASE READ THESE INSTRUCTIONS COMPLETELY BEFORE STARTING ASSEMBLY;
- 2- THE ASSEMBLY MUST BE EXECUTED ON A FLAT AND CLEAN SURFACE;
- 3- FOR CLEANING PLEASE USE A WATER SEMI WET CLEAN CLOTH FOLLOWING BY A DRY CLEAN CLOTH;
- 4- DO NOT USE ABRASIVES SOLUTIONS;

**ASSEMBLY INSTRUCTIONS  
CLOSET**

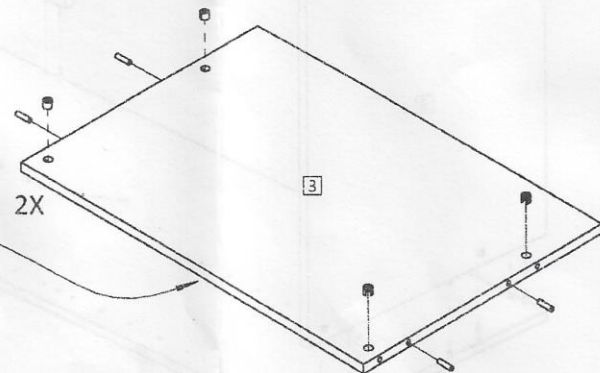
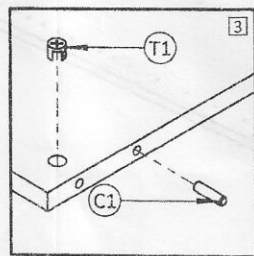
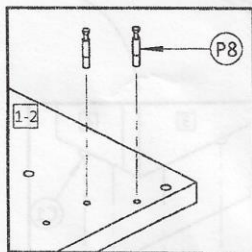
PART LIST		
PART NUMBER	Qty	DESCRIPTION:
1	1	LEFT SIDE PANEL
2	1	RIGHT SIDE PANEL
3	2	BOTTOM/TOP PANEL
4	4	FRAME



**STEP 01  
PREPARATION OF THE SIDE PANELS**



**STEP 02  
PREPARATION OF THE BOTTOM/TOP PANELS**



Rev.01

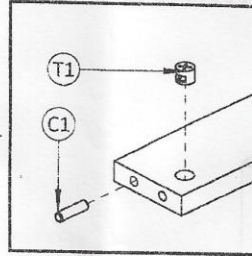
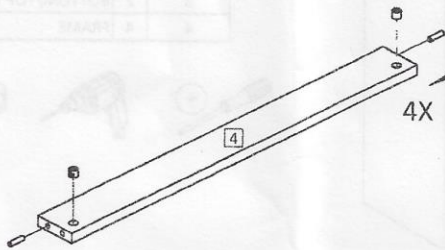


REF.: MCL001

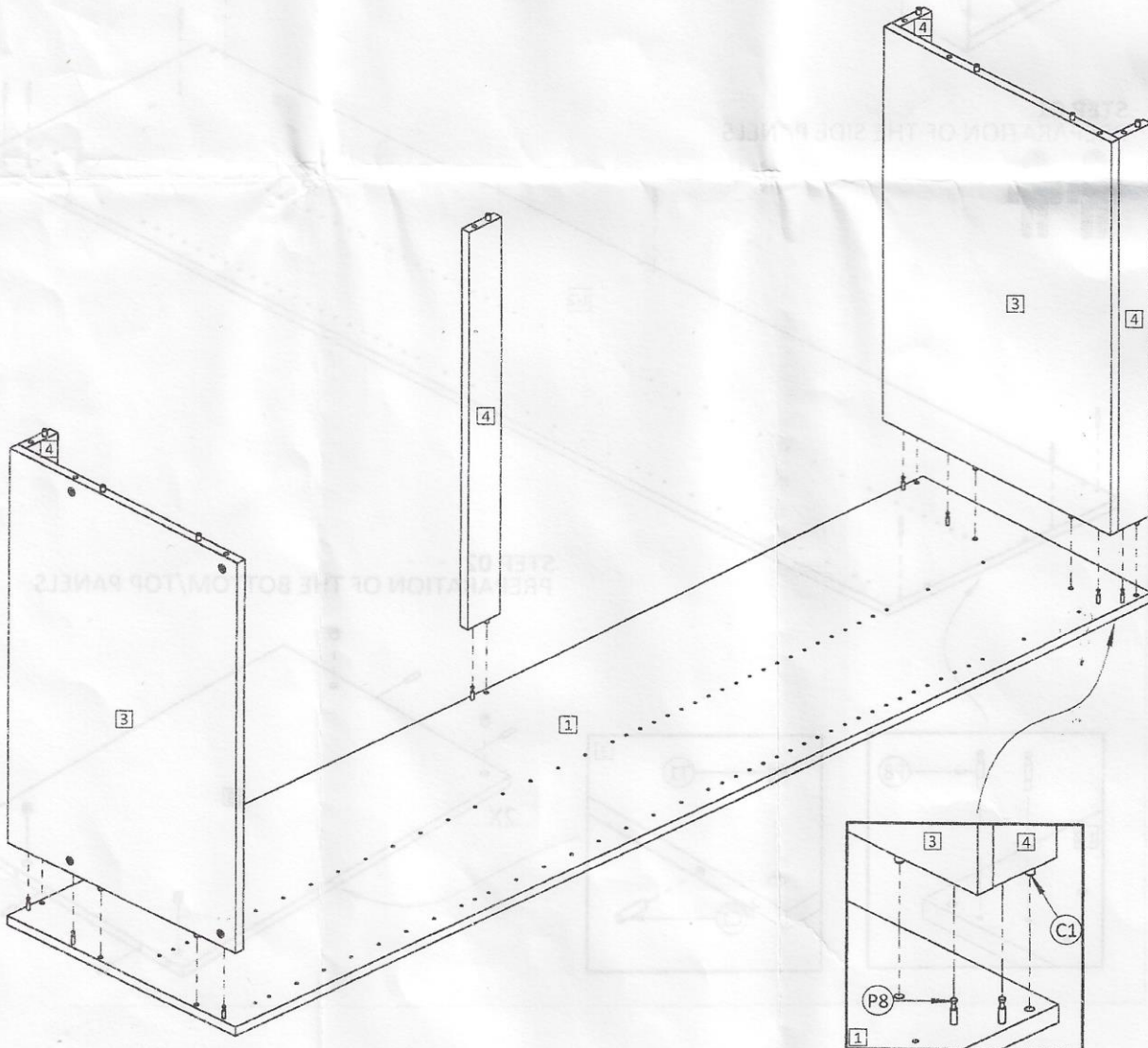
### STEP 03 PREPARATION OF THE FRAMES

NUMBER	QTY	DESCRIPTION
1	1	LEFT SIDE PANEL
2	1	RIGHT SIDE PANEL
3	2	BOTTOM/TOP PANEL
4	4	FRAME

## ASSEMBLY INSTRUCTIONS CLOSET



### STEP 04 LEFT, TOP, BOTTOM PANELS AND FRAMES ASSEMBLY



Rev.01

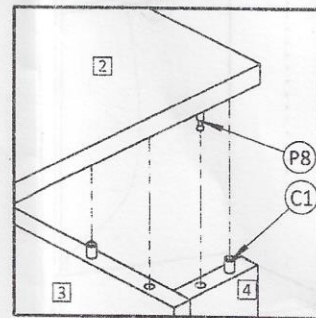
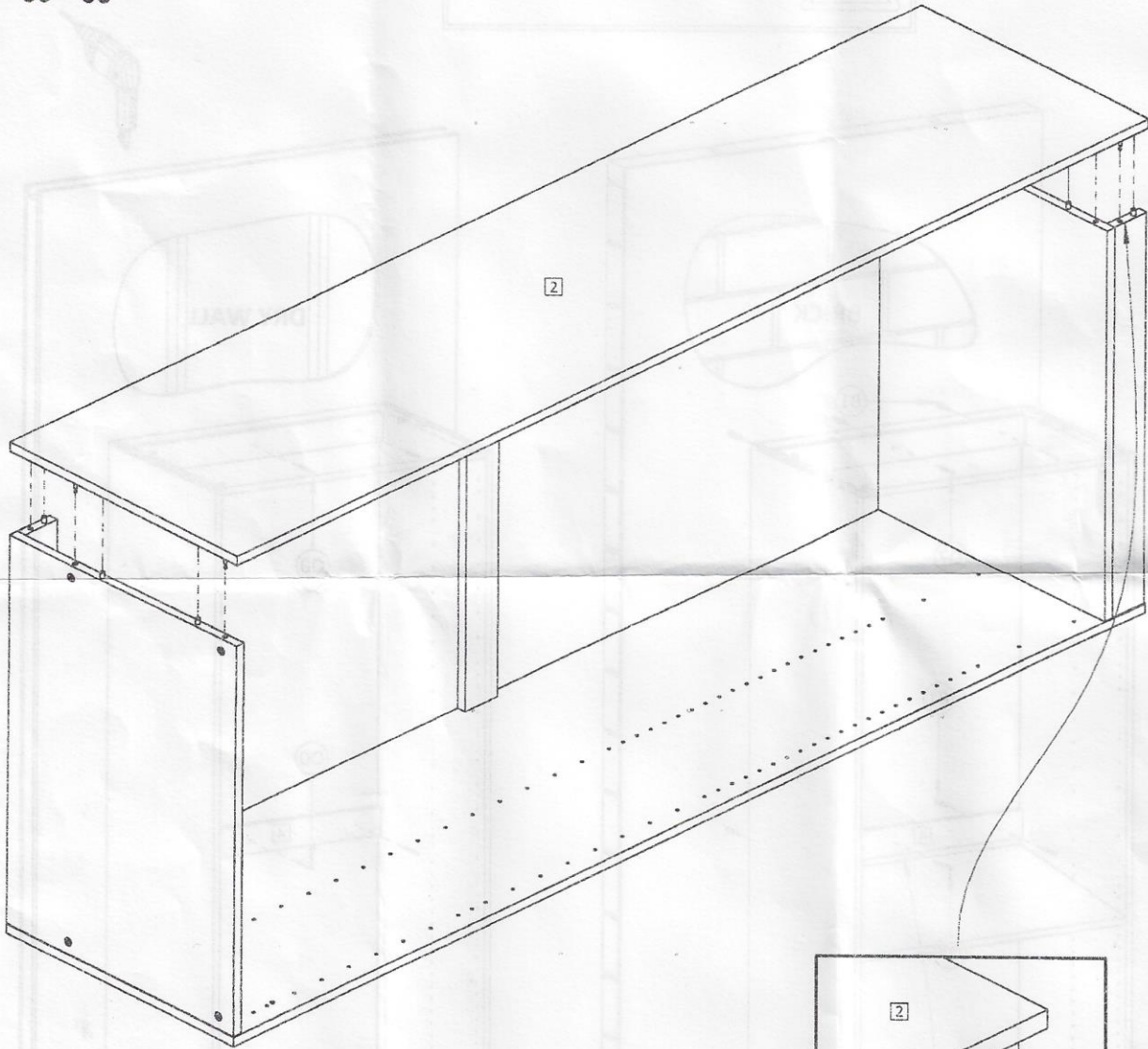


REF.: MCL001

# ASSEMBLY INSTRUCTIONS

## CLOSET

### STEP 04 RIGHT SIDE PANEL ASSEMBLY



THE CABINET MUST ALWAYS BE  
SUPPORTED ON THE GROUND

SCREW IN THE CENTER  
OF THE FRAME