



PowerTex
BATTERIES

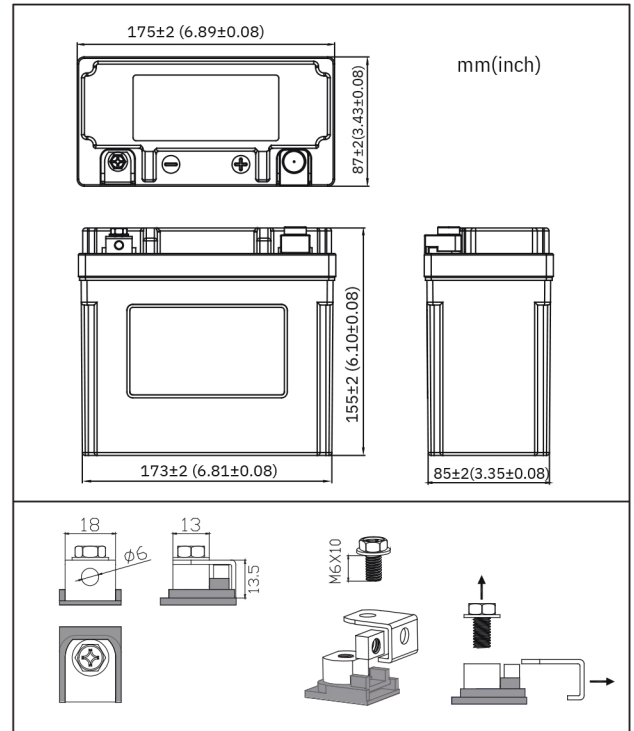
PTX20L LIFEPO4 MOTORCYCLE BATTERY

Specifications

Model No.	PTX20L
Material construction (Positive electrode)	Lithium iron phosphate (LiFePO4)
Nominal Voltage	12.8V
Watt-Hour(25°C)	96(3.75A to 10.0V)
Charging Voltage	14.4V (Standard) - 14.8V (Max)
Charging Current	4A (Standard) - 15A (Max)
Dimension (L×W×H)	175mm×87mm×155mm
Approx Weight	1.7kg (3.75Lbs)
Alternative to lead-acid battery model	YB16L-B, YB16CL-B, YB16HL-A-CX, YB18L-A, YTX20, YTX20L, YTX20L-BS



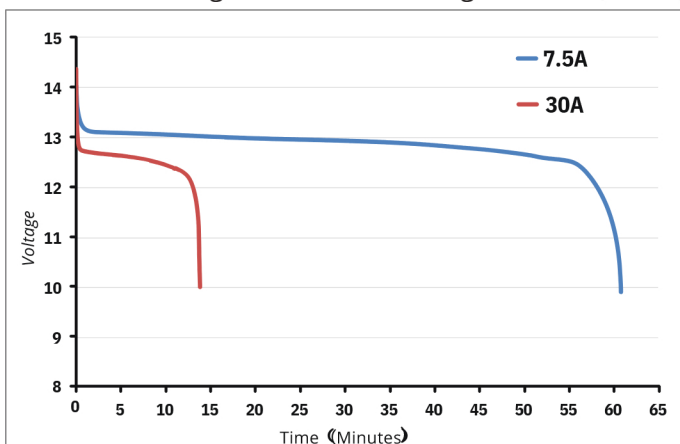
Dimensions



Characteristics

Max continuous output current	30A
Max starting current (5s @ 25°C)	375A
Operation temperature range	-10°C ~ 50°C (-14 ~ 121°F) °C
Storage temperature range	-20°C ~ 40°C (-4 ~ 104°F)
Cycle life (80 %DOD@25°C)	≥ 2000
1 month Charge Retention (Shelf life) at 20°C	≥ 95%
3 month	≥ 90%
6 month	≥ 80%
Warranty	2 years
Case Material	ABS

Discharge Time VS. Discharge Current(25 °C)



Pulse Discharge Curve(10seconds)

