

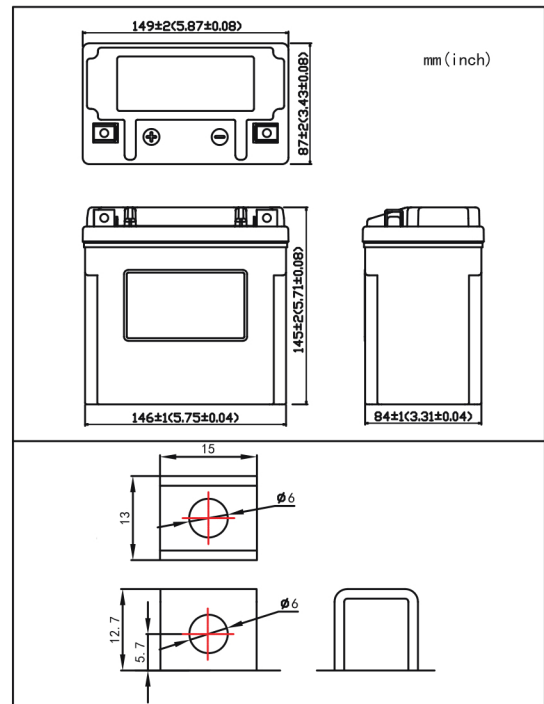
PTX14 LIFEPO4 MOTORCYCLE BATTERY

Specifications

Model No.	PTX14
Material construction (Positive electrode)	Lithium iron phosphate (LiFePO4)
Nominal Voltage	12.8V
Watt-Hour(25°C)	64(2.5Ato 10.0V)
Charging Voltage	14.4V (Standard) - 14.8V (Max)
Charging Current	2.5A (Standard) - 10A (Max)
Dimension (L×W×H)	149mm×87mm×145mm
Approx Weight	1.2kg (2.65Lbs)
Alternative to lead-acid battery model	YTX14-BS



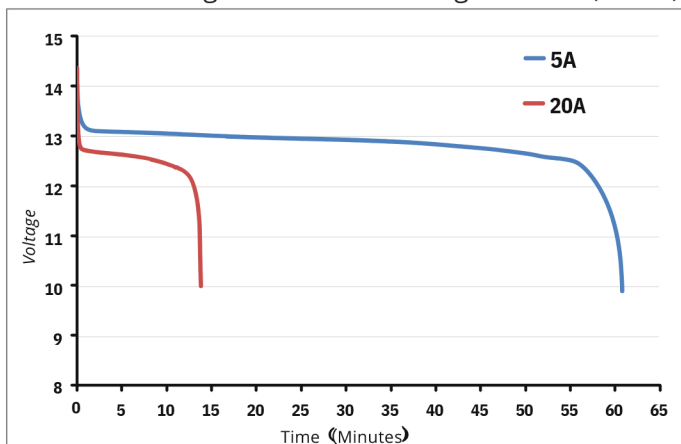
Dimensions



Characteristics

Max continuous output current	20A
Max starting current (5s @ 25°C)	250A
Operation Charge & Discharge temperature range	10°C ~ 50°C (14 ~ 131°F) °C -20°C ~ 40°C (-4°F)
Storage temperature range	-20°C ~ 40°C (-4°F)
Cycle life (80 %DOD@25°C)	≥ 2000
1 month Charge Retention (Shelf life) at 20°C	≥ 95%
3 month	≥ 90%
6 month	≥ 80%
Warranty	2 years
Case Material	ABS

Discharge Time VS. Discharge Current(25 °C)



Pulse Discharge Curve(10seconds)

