

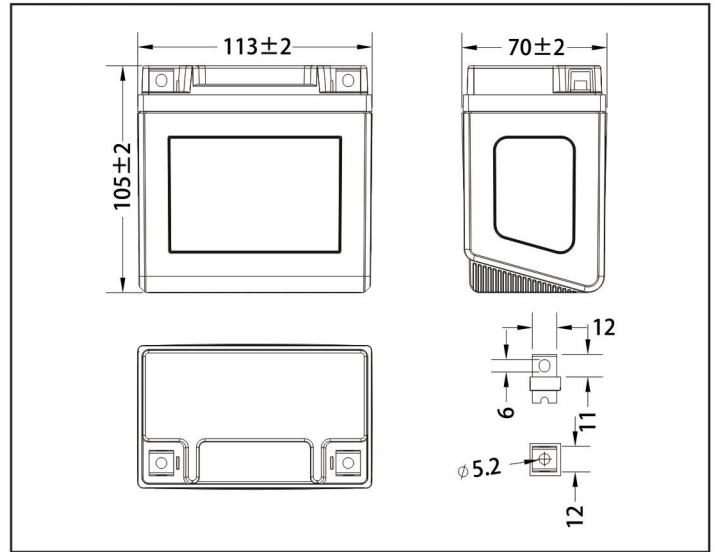


**MODEL: PTZ7S**



**Plane Chart:**

Unit:(mm) Terminal type:(LM1)



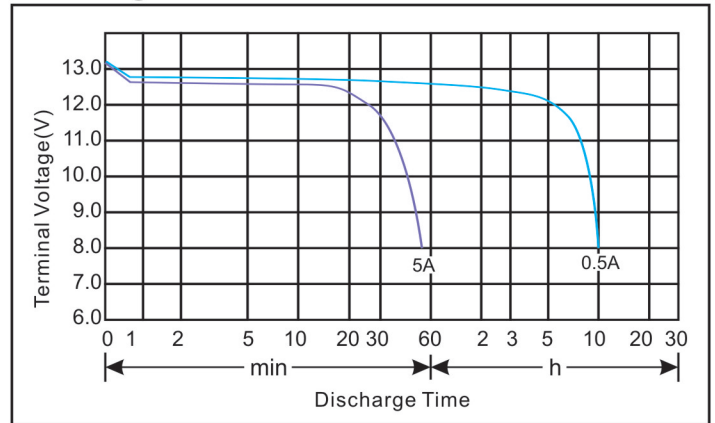
**Parts:**

Cover	Container Bottom	Terminal	Positive Plate	Negative Plate	Separator	Electrolyte	Seal Glue
ABS	ABS	Cu	LiFePO4	C	PP or PE	LiPF <sub>6</sub> + Carbonic acid esters	Epoxy Resin

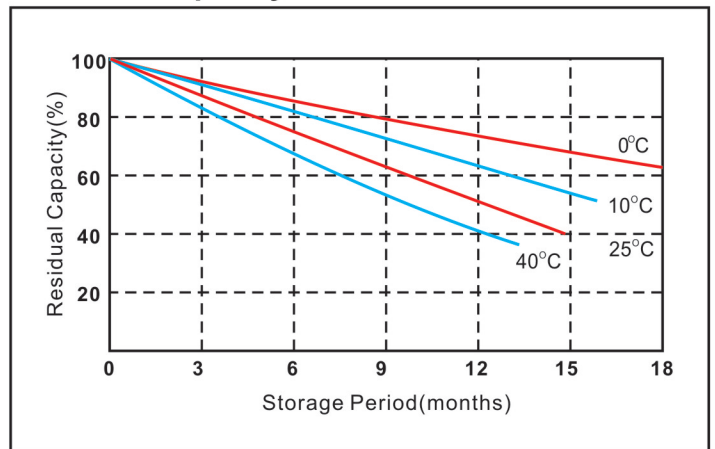
**Parameter Chart:**

Volts		12.8V	
Power (25°C)	10 hours rate	64Wh	
Appx.Dimension (mm)	L±2	113	
	W±2	70	
	H±2	105	
Weight (Approx)	1.25Kg		
Retention of Charge Storage @25°C			
1 month	96%	Directly Mounted	
3 month	87%	Directly Mounted	
6 month	74%	Constant Volts:14.4V Limit Current:1.25A Charging Hours:0.5-1H	
12 month	50%	Constant Volts:14.4V Limit Current:2.5A Charging Hours:0.5-1H	
CA		Factory Standard (25°C 5S)	
Discharging Current	150A		

**Discharge Current 25°C**



**Residual Capacity**



★The above are average and data obtained from the first 3 charge/discharge cycles. These are not minimum values.

★The different item No. of battery can be developed according to the customer's demand.