



PowerTex
BATTERIES

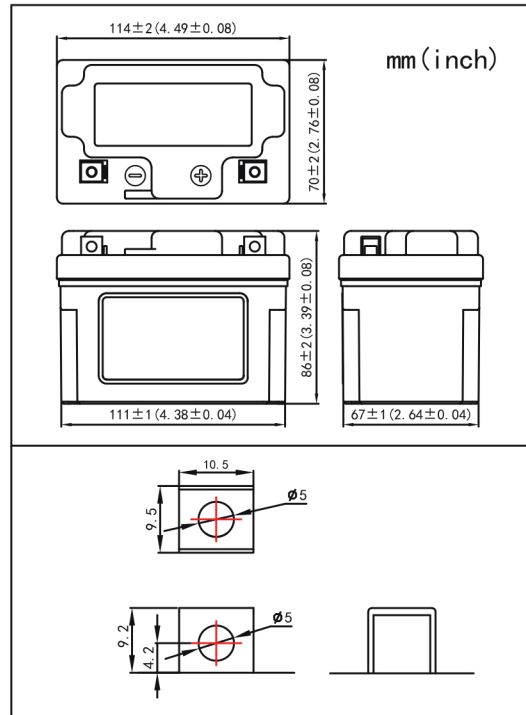
PTZ5S LIFEPO4 MOTORCYCLE BATTERY

Specifications

Model No.	PTZ5S
Material construction (Positive electrode)	Lithium iron phosphate (LiFePO4)
Nominal Voltage	12.8V
Watt-Hour(25°C)	38(1.5Ato 10.0V)
Charging Voltage	14.4V (Standard) - 14.8V (Max)
Charging Current	1.5A (Standard) - 6A (Max)
Dimension (L×W×H)	114mm×70mm×86mm
Approx Weight	0.6kg (1.32Lbs)
Alternative to lead-acid battery model	YTX4L-BS, YTZ5S, YB4L-A, YB4L-B



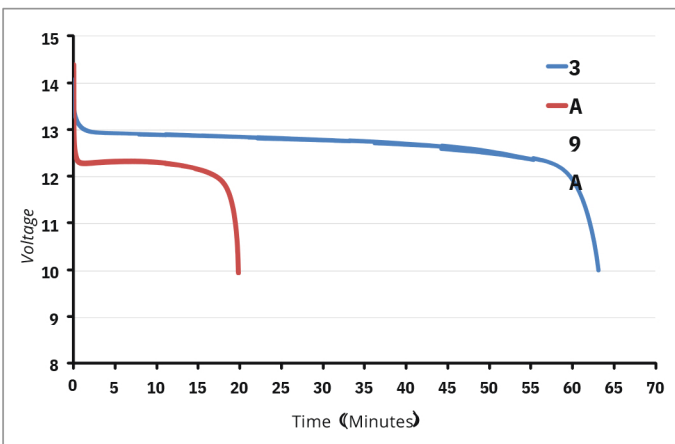
Dimensions



Characteristics

Max continuous output current	9A
Max starting current (5s @ 25°C)	90A
Operation Charge & Discharge temperature range	-10°C ~ 50°C (-14 ~ 131°F) °C
Storage temperature range	-20 ~ 40°C (-4 ~ 104°F)
Cycle life (80 %DOD@25°C)	≥ 2000
1 month Charge Retention (Shelf life) at 20°C	≥ 95%
3 month	≥ 90%
6 month	≥ 80%
Warranty	2 years
Case Material	ABS

Discharge Time VS. Discharge Current(25°C)



Pulse Discharge Curve(10seconds)

