

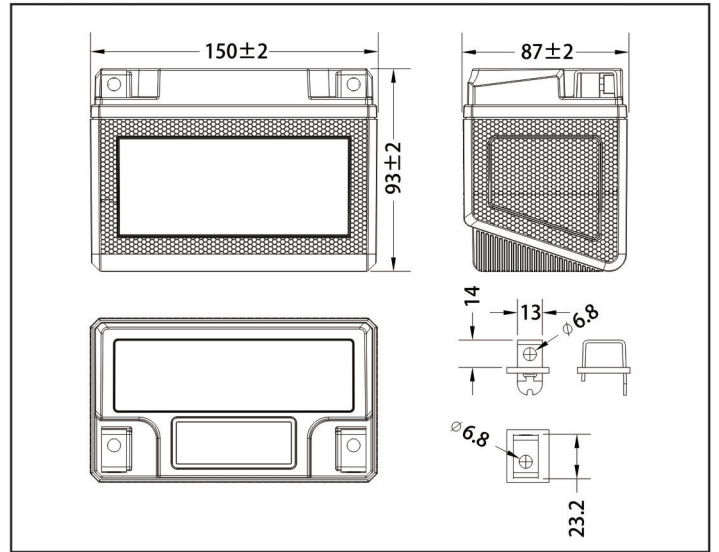


MODEL: PTZ10S



Plane Chart:

Unit:(mm) Terminal type:(LM2)



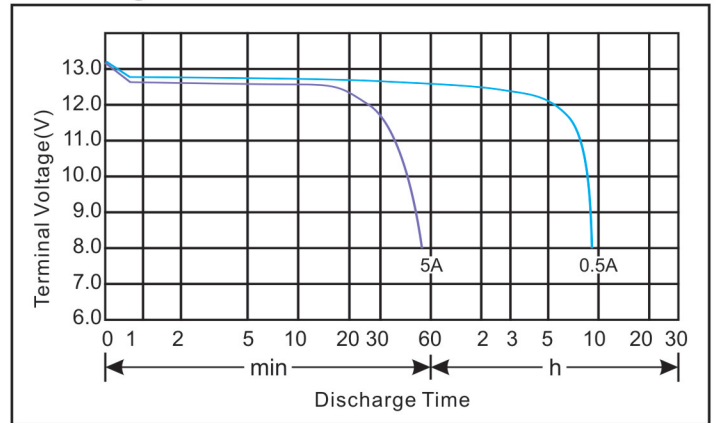
Parts:

Cover	Container Bottom	Terminal	Positive Plate	Negative Plate	Separator	Electrolyte	Seal Glue
ABS	ABS	Cu	LiFePO4	C	PP or PE	LiPF ₆ + Carbonic acid esters	Epoxy Resin

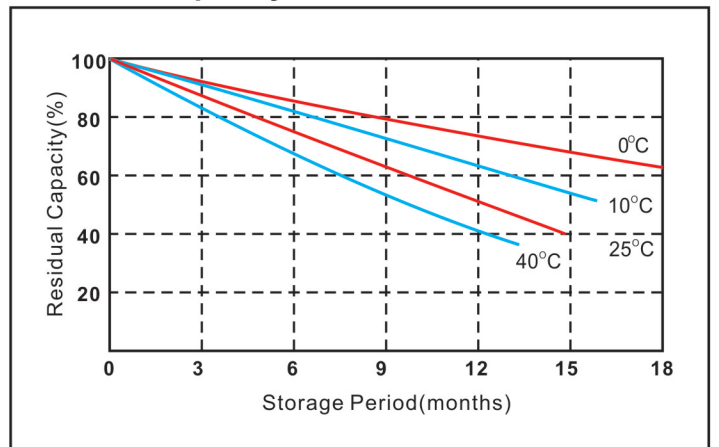
Parameter Chart:

Volts	12.8V	
Power (25°C)	10 hours rate	64Wh
Appx.Dimension (mm)	L±2	150
	W±2	87
	H±2	93
Weight (Approx)	1.36Kg	
Retention of Charge Storage @25°C		
1 month	96%	Directly Mounted
3 month	87%	Directly Mounted
6 month	74%	Constant Volts:14.4V Limit Current:1.25A Charging Hours:0.5-1H
12 month	50%	Constant Volts:14.4V Limit Current:2.50A Charging Hours:0.5-1H
CA	Factory Standard (25°C 5S)	
Discharging Current	150A	

Discharge Current 25°C



Residual Capacity



★The above are average and data obtained from the first 3 charge/discharge cycles. These are not minimum values.

★The different item No. of battery can be developed according to the customer's demand.