



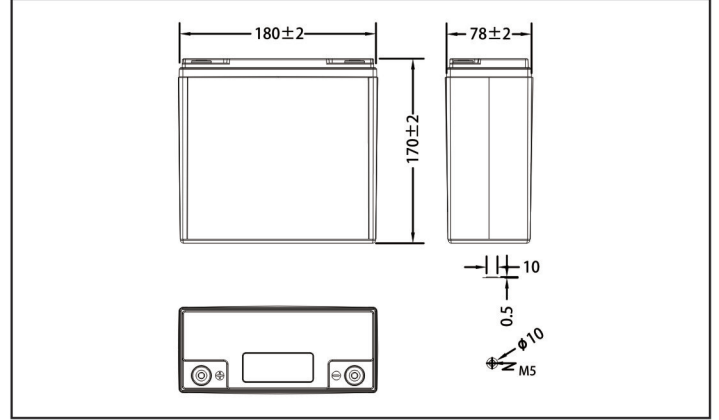
MODEL: PTL1220



Container Color
■ Black C

Plane Chart:

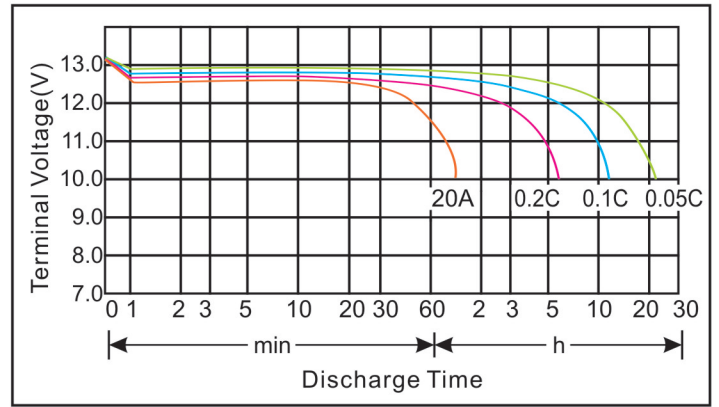
Unit:(mm) Terminal type:(LC1)



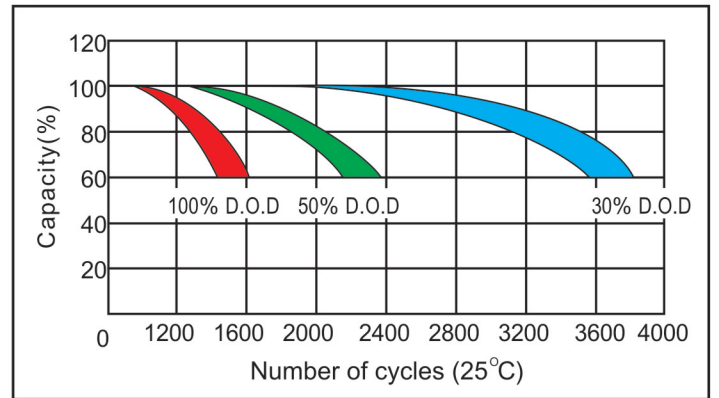
Parameter Chart:

Capacity(25°C)	10 hours rate (2A)	20Ah
Internal Resistance	Full Charged Battery 25°C	≤30mΩ
Capacity Affected By Temperature	40°C	101%
	25°C	100%
	0°C	93%
	-20°C	65%
Residual Capacity (25°C)	Capacity After 3 Months Storage	87%
	Capacity After 6 Months Storage	74%
	Capacity After 12 Months Storage	50%
Charge (Constant Voltage)	Cycle (25°C)	Initial Charging Current Less Than 10A Voltage 14.4~15.0V
	Float (25°C)	Charge Voltage 13.6~13.8V
Discharge Current (25°C)	20A (Max. continuous); 30A (5 Seconds)	
Weight (Approx)		2.80Kg

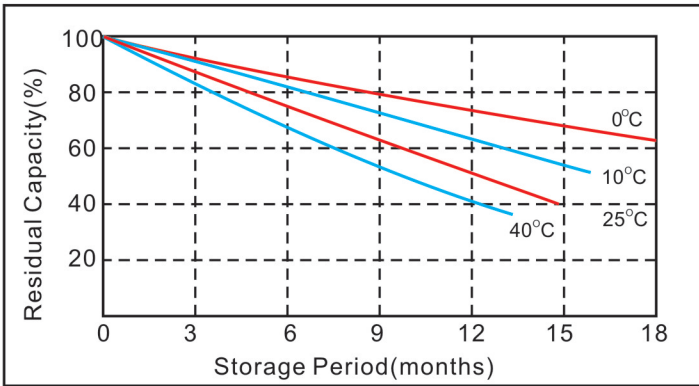
Discharge Current 25°C



Cycle service life in relation to the depth of discharge



Residual Capacity



Constant Current Discharge Characteristics (A, 25°C)

F.V/Time	1h	1.5h	2h	3h	5h	8h	10h	21h
10V	20	13.33	10	6.67	4	2.5	2	1

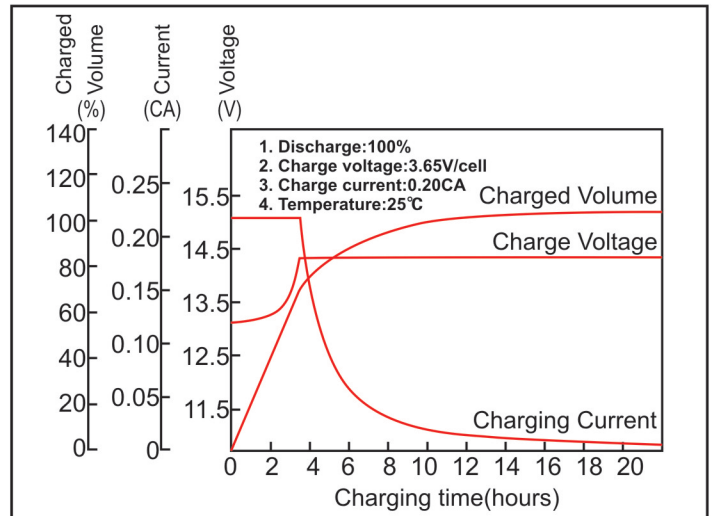
Constant Power Discharge Characteristics (Watt, 25°C)

F.V/Time	1h	1.5h	2h	3h	5h	8h	10h	21h
10V	240	160	120	80	48	30	24	12

Capacity Factors With Different Temperature

Battery Type	12V	-20°C	-10°C	0°C	5°C	10°C	20°C	25°C	30°C	40°C	45°C
Li Battery	12V	65%	82%	93%	95%	97%	100%	100%	100%	101%	102%

Constant voltage charging characteristics



★The above are average and data obtained from the first 3 charge/discharge cycles. These are not minimum values.