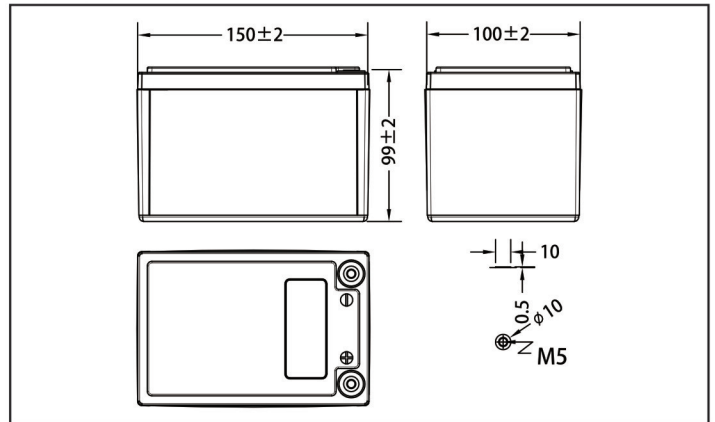


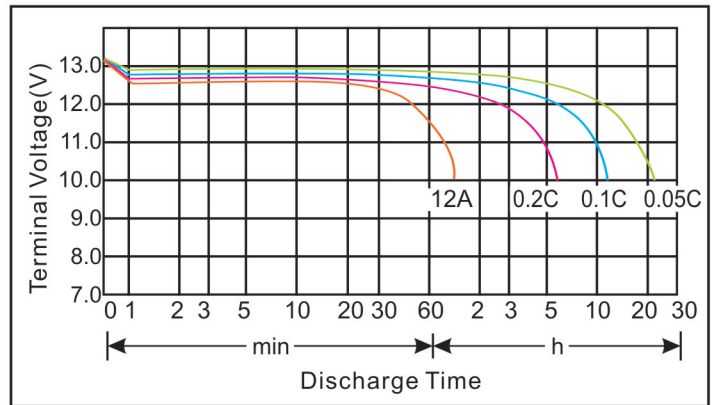
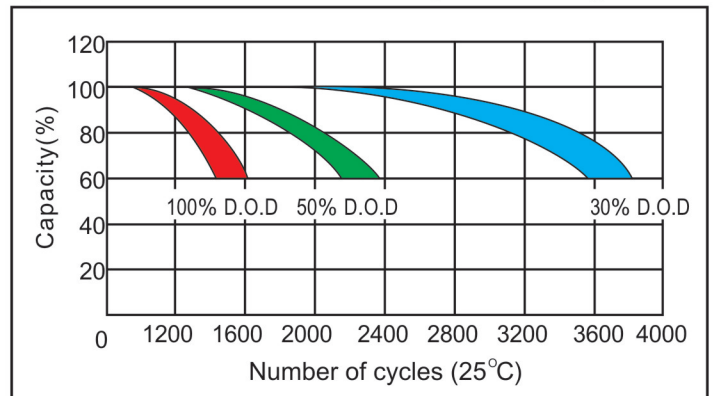
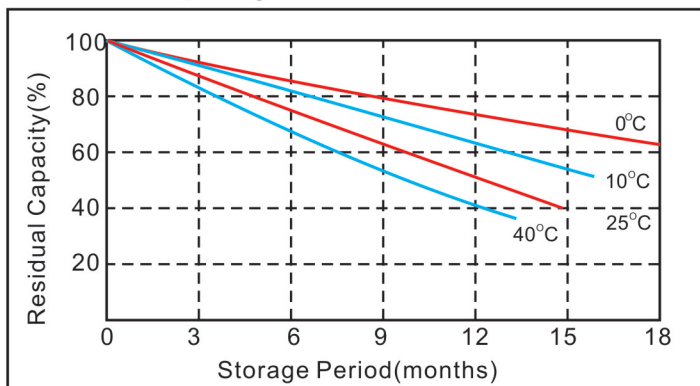
MODEL: PTL1212

Plane Chart:

Unit:(mm) Terminal type:(LC1)


Parameter Chart:

Capacity(25°C)	10 hours rate (1.2A)	12Ah
Internal Resistance	Full Charged Battery 25°C	≤30mΩ
Capacity Affected By Temperature	40°C	101%
	25°C	100%
	0°C	93%
	-20°C	65%
Residual Capacity (25°C)	Capacity After 3 Months Storage	87%
	Capacity After 6 Months Storage	74%
	Capacity After 12 Months Storage	50%
Charge (Constant Voltage)	Cycle (25°C)	Initial Charging Current Less Than 6A Voltage 14.4~15.0V
	Float (25°C)	Charge Voltage 13.6~13.8V
Discharge Current (25°C)	12A (Max. continuous); 18A (5 Seconds)	
Weight (Approx)		1.50Kg

Discharge Current 25°C

Cycle service life in relation to the depth of discharge

Residual Capacity

Constant Current Discharge Characteristics (A, 25°C)

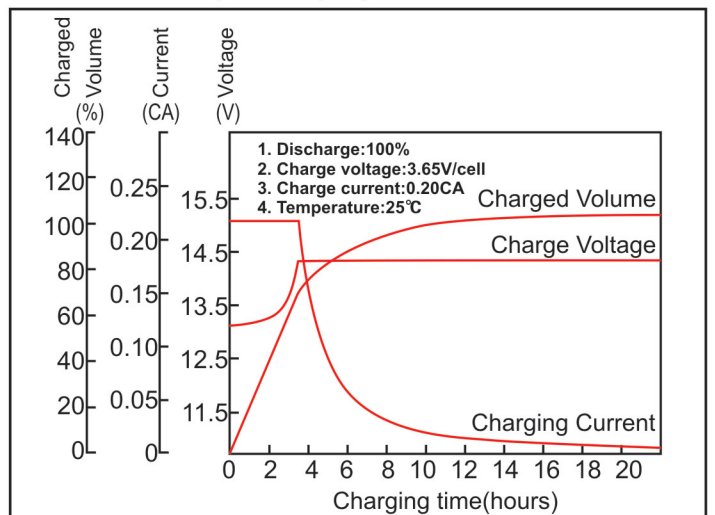
F.V/Time	1h	1.5h	2h	3h	5h	8h	10h	21h
10V	12	8	6	4	2.4	1.5	1.2	0.6

Constant Power Discharge Characteristics (Watt, 25°C)

F.V/Time	1h	1.5h	2h	3h	5h	8h	10h	21h
10V	144	96	72	48	29	18	14	7

Capacity Factors With Different Temperature

Battery Type	-20°C	-10°C	0°C	5°C	10°C	20°C	25°C	30°C	40°C	45°C
Li Battery 12V	65%	82%	93%	95%	97%	100%	100%	100%	101%	102%

Constant voltage charging characteristics


★The above are average and data obtained from the first 3 charge/discharge cycles. These are not minimum values.