










shower*buddy*®

showerbuddy®

CONTENTS

| | | | | | |
|---|---|----|---|--|----|
|  | SB1 ShowerBuddy For transfers to standard showers | 4 |  | SB6c 26 Roll-InBuddy XXL For roll-in showers | 16 |
|  | SB2 TubBuddy For transfers over bathtubs | 6 |  | SB6w Roll-InBuddy SOLO For roll-in showers | 18 |
|  | SB2t TubBuddy - Tilt For transfers over bathtubs | 8 |  | SB7e ECO-Traveller Folding shower commode | 20 |
|  | SB3t Roll-InBuddy - Tilt For roll-in showers | 10 | Paediatric & Petite Solutions 22 | | |
|  | SB6c Roll-InBuddy - Lite For roll-in showers | 12 | Accessories 26 | | |
|  | SB6c 22 Roll-InBuddy XL For roll-in showers | 14 | Product Features 30 | | |
| | | | BathCheck™ 35 | | |





WHY SHOWERBUDDY?

Remodeling a bathroom because of a disability can be a very expensive and disruptive process. It may not even be an option if you are renting. Now there is a solution.

Showerbuddy transfer systems fit into most existing showers or bath tubs allowing a disabled person to shower in their own bathroom again with dignity, ease and comfort. With a fraction of the cost of a remodel you can enjoy a shower the same day. Depending on the disability and the configuration of your bathroom, we can customize a unit to fit your needs.

MANUAL HANDLING

Transferring people may involve a number of manual handling tasks. Showerbuddy has undertaken numerous trials and design revisions to provide a better ergonomic design and a safer solution for caregivers while also reducing the number of transfers required for the user. Care should be taken when transferring. Undertaking a transfer produces particular difficulties such as how to grip the person and the need to counter unpredictable movements. The degree of assistance a person can provide, their ability to comply with the handling, the degree of pain experienced, or the presence of particular health conditions can also affect the way the transfer must be done. This handling will usually require a more detailed assessment. Professional advice, practices and guidelines should be sought prior to attempting a transfer.

Also refer to the Owners Manual / Safety Instructions.

INFECTION CONTROL

Showerbuddy chairs and transfer systems have been designed for efficient infection control by avoiding any build up of body fluids or wastewater by incorporating drainage pathways within the chair frame and parts.

All models are finished in a hard, smooth powder coat finish for an easy clean surface and use sealed foam cushions, neck rest parts and arm rests for easy wipe cleaning and no porosity. Seat cushions and other foam and plastic parts are easily replaced if required during refurbishment prior to reissue to a new client.

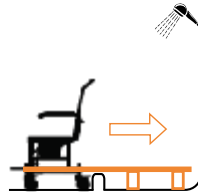
Showerbuddy products have a metal frame made of very high strength Aluminum, grade 6061 T6, which provides a long life, trouble free and non-corrosive solution with no rust or deterioration. All mechanical parts and hardware are grade 304 Stainless Steel.

Plastic parts that facilitate movement during transfer are manufactured from POM non-porous plastic and other parts in PA grade plastic for ease of cleaning the exposed parts.

SB1

SHOWERBUDDY

For transfer to a shower with tray step

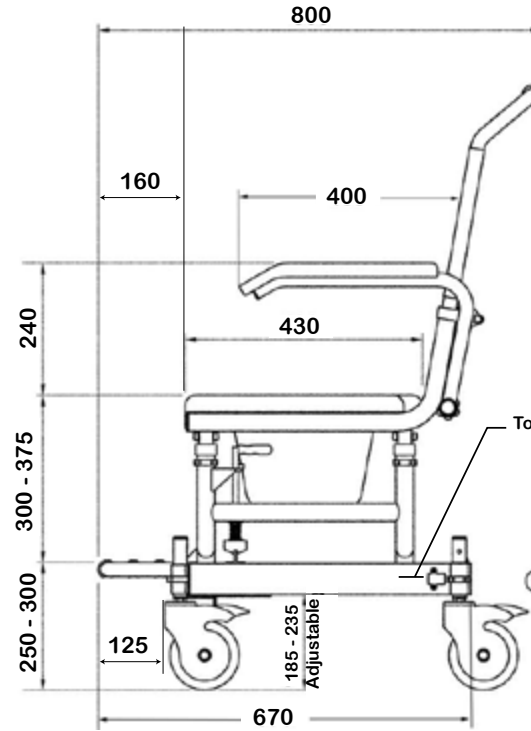
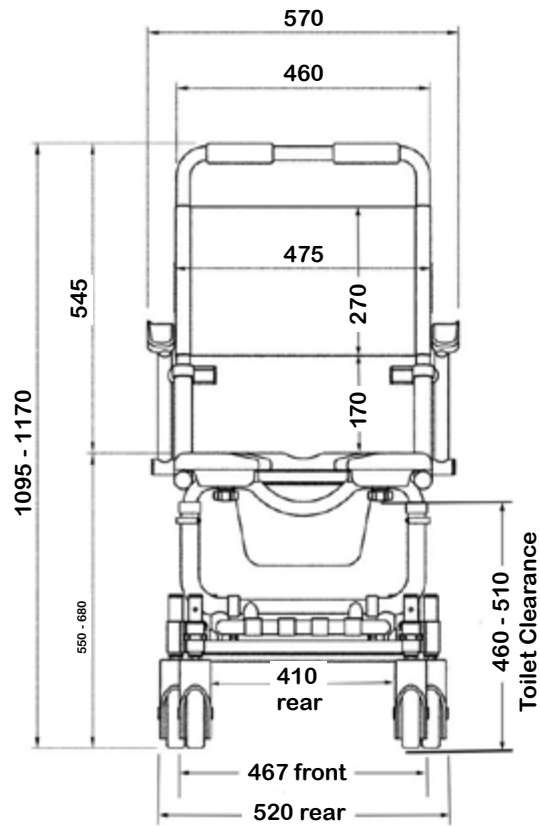


The ShowerBuddy SB1 shower transfer system will turn your existing bathroom into an accessible bathroom allowing you to enjoy showering again without the excessive cost, delays and stress of a full bathroom remodel.

If your shower has a step or upstand preventing roll-in access, our ShowerBuddy SB1 will easily slide you, in a seated position, across the step and into the shower. Once transferred into the shower the bridge and wheeled base can be disconnected and rolled away, allowing the shower door to close for a more enjoyable shower experience. This chair can be rotated when inside the shower allowing you to face the water outlet or for an assistant to help with cleaning.



SBI



Shower base height
Standard 105mm - 125mm
Use accessory SBR100 up to 145mm - 165mm
Use accessory SBR150 up to 195mm - 205mm
Use accessory SBR200 up to 245mm - 265mm

Toilet clearance width between frame is 295mm

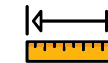
405

Can be customised
see accessories

500 (455 wide)

475

105 - 125



Will this fit my bathroom?

See our Calculator, BathCheck page 35

Product features:

- Weight capacity - 250kg
- Rolls over most standard toilets
- Low maintenance
- Arms - removable / lockable / flip-back
- Height adjustable
- Safety mechanisms
- No rust aluminum frame (Grade 6061 T6)
- Stainless steel parts and hardware (Grade 304)
- Rotates 360 degrees inside shower (subject to space)
- Footrest - fold-up
- Safety belts - lap & chest belts
- Caster Wheels - 125mm x 4 locking
- Commode system
- Tool-free assembly
- Full details see page 32-36

Accessory items

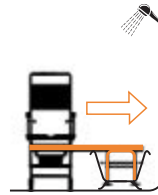
- Refer to the accessory pages or on our website



SCAN ME

SB2 TUBBUDDY

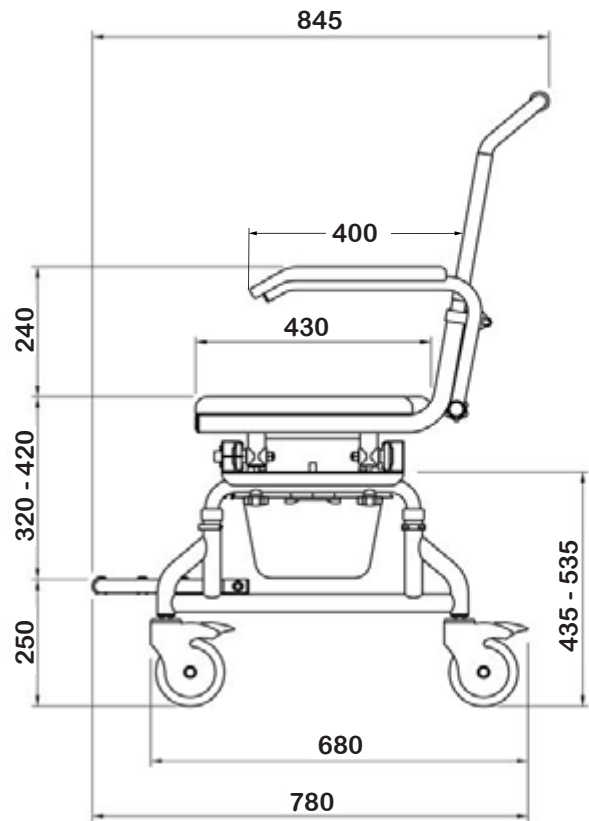
For transfer over bath tubs



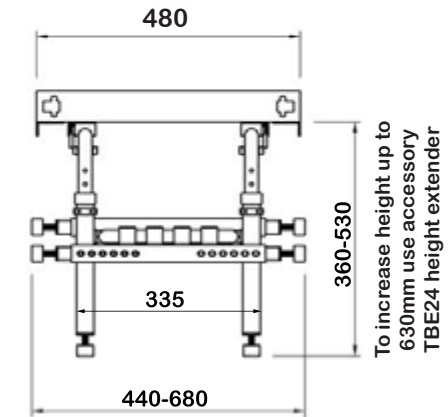
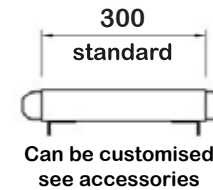
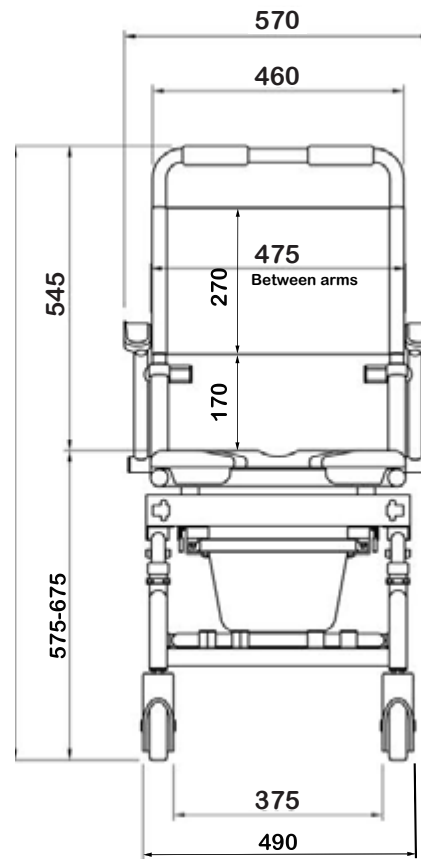
The SB2 bath transfer system from Showerbuddy is designed to allow a user to be safely transferred by a caregiver over a bathtub to shower without costly bathroom remodeling. The SB2 TubBuddy eliminates unnecessary transfers between toileting and bathing making it comfortable for both user and caregiver, while reducing costs and contributing to good user hygiene.



SB2



Toilet clearance
For bath tubs higher than
535mm use accessory
RBE24 height extender



To increase height up to
630mm use accessory
TBE24 height extender

Will this fit my bathroom?
See our Calculator, BathCheck page 35

Product features:

- Weight capacity - 250kg
- Rolls over most standard toilets
- Low maintenance
- Arms - removable / lockable / flip-back
- Height adjustable
- Safety mechanisms & side stabilizers on bath base
- No rust aluminum frame (Grade 6061 T6)
- Stainless steel parts and hardware (Grade 304)
- Footrest - fold-up foot rest on rolling base and on bath base
- Safety belts - lap & chest belts
- Caster Wheels - 125mm x 4 locking
- Commode system
- Tool-free assembly
- Full details see page 32-36

Accessory items

- Refer to the accessory pages or on our website

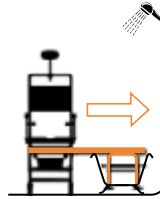


SCAN ME

SB2t

TUBBUDDY - TILT

For transfer over bath tubs



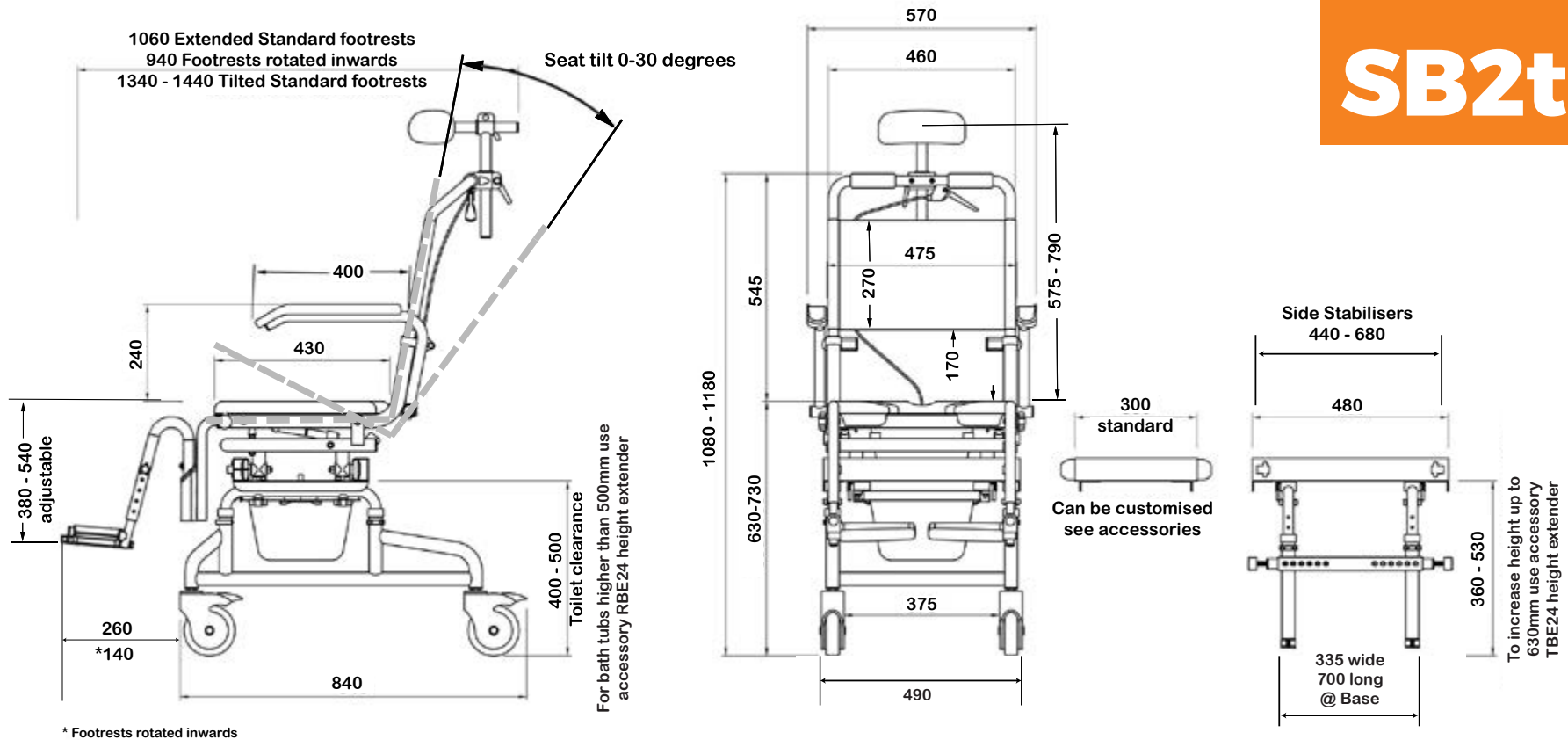
The SB2T bath transfer system from Showerbuddy is also designed to allow a user to be safely transferred by a caregiver over the bathtub, but with the addition of a tilt. The SB2T offers a significant reduction in costs, no need for costly bathroom remodeling.

While eliminating unnecessary transfers, the SB2T with a tilt function allows for pressure relief and alleviates caregiver strain by allowing the user to slide over the bathtub without having to lift their legs.

The SB2T TubBuddy Tilt can roll straight over most toilets and can also be used as a commode chair.



SB2t



* Footrests rotated inwards

Product features:

- Weight capacity - 250kg
- Tilt angle 0 - 30 degrees, infinite positioning
- Rolls over most standard toilets
- Low maintenance
- Arms - removable / lockable / flip-back
- Height adjustable
- Safety mechanisms & side stabilizers on bath base
- Footrests - removable and swing-away
- No rust aluminum frame (Grade 6061 T6)
- Stainless steel parts and hardware (Grade 304)
- Safety belts - lap & chest belts plus calf strap
- Caster Wheels - 125mm x 4 locking
- Commode system
- Neck rest, fully adjustable
- Tool-free assembly
- Full details see page 32-36

Accessory items

- Refer to the accessory pages or on our website



SCAN ME

SB3t

ROLL-INBUDDY - TILT

For roll in showers



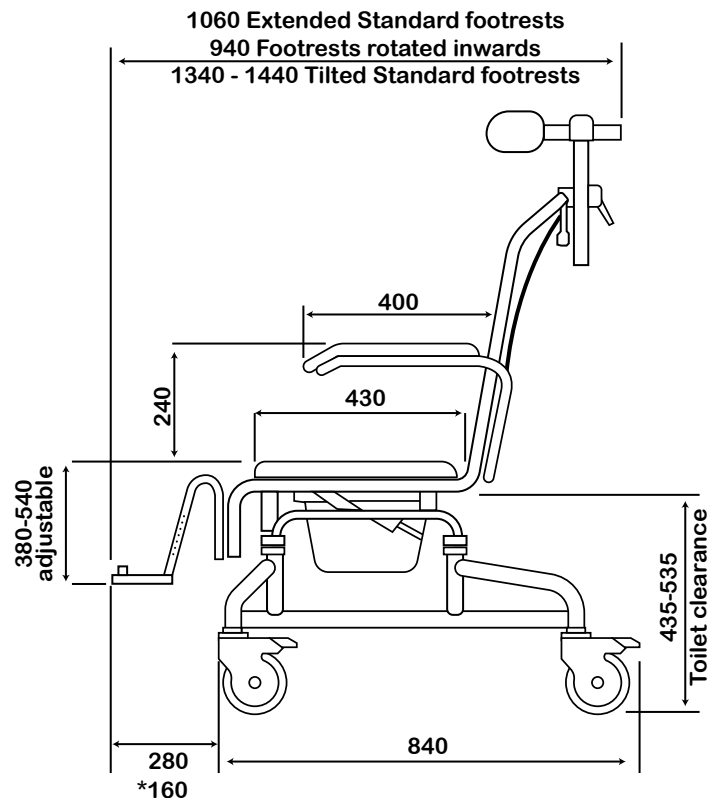
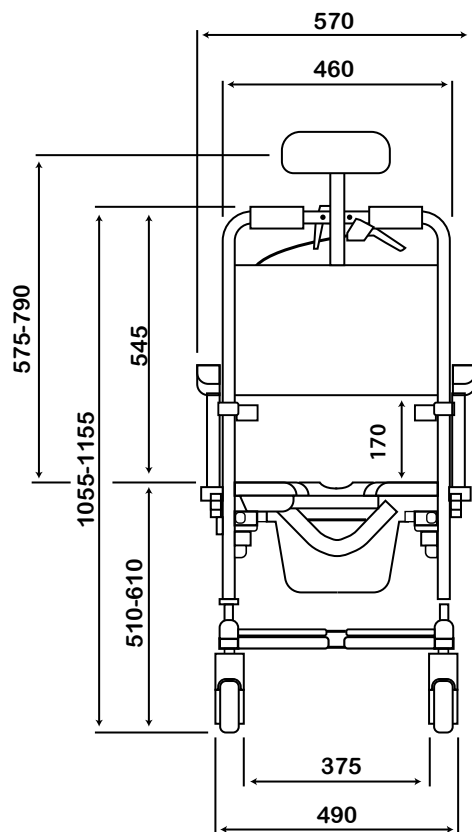
The SB3t mobile shower chair from Showerbuddy is perfect for accessible or roll-in showers. It can roll straight over most toilets and into the shower, reducing manual handling and transfers for caregivers and can also be used as a commode chair.

The tilt function releases pressure for the user and improves comfort and well-being. The SB3t shower chair with tilt incorporates the same safety features and corrosion-resistant materials standard to all Showerbuddy products.

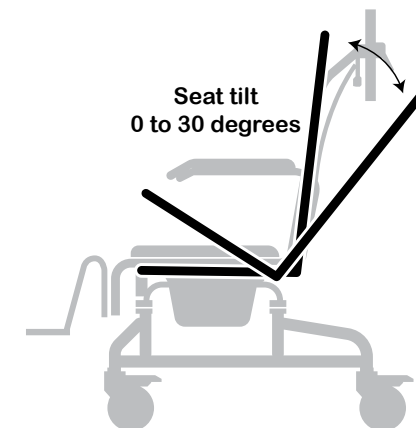
The SB3t Roll-InBuddy Tilt is lightweight, durable and easy to use with a lifetime warranty on the frame.



SB3t



*Footrest rotated inwards



Product features:

- Weight capacity - 250kg
- Tilt angle 0 - 30 degrees, infinite positioning
- Rolls over most standard toilets
- Low maintenance
- Arms - removable / lockable / flip-back
- Height adjustable
- Safety mechanisms
- Footrests - removable and swing away, height adjustable
- No rust aluminum frame (Grade 6061 T6)
- Stainless steel parts and hardware (Grade 304)
- Safety belts - lap & chest belts plus calf strap
- Caster Wheels - 125mm x 4 locking
- Commode system
- Neck rest, fully adjustable
- Tool-free assembly
- Full details see page 32-36

Accessory items

- Refer to the accessory pages or on our website



SCAN ME

SB6c

ROLL-INBUDDY-LITE

For roll-in showers



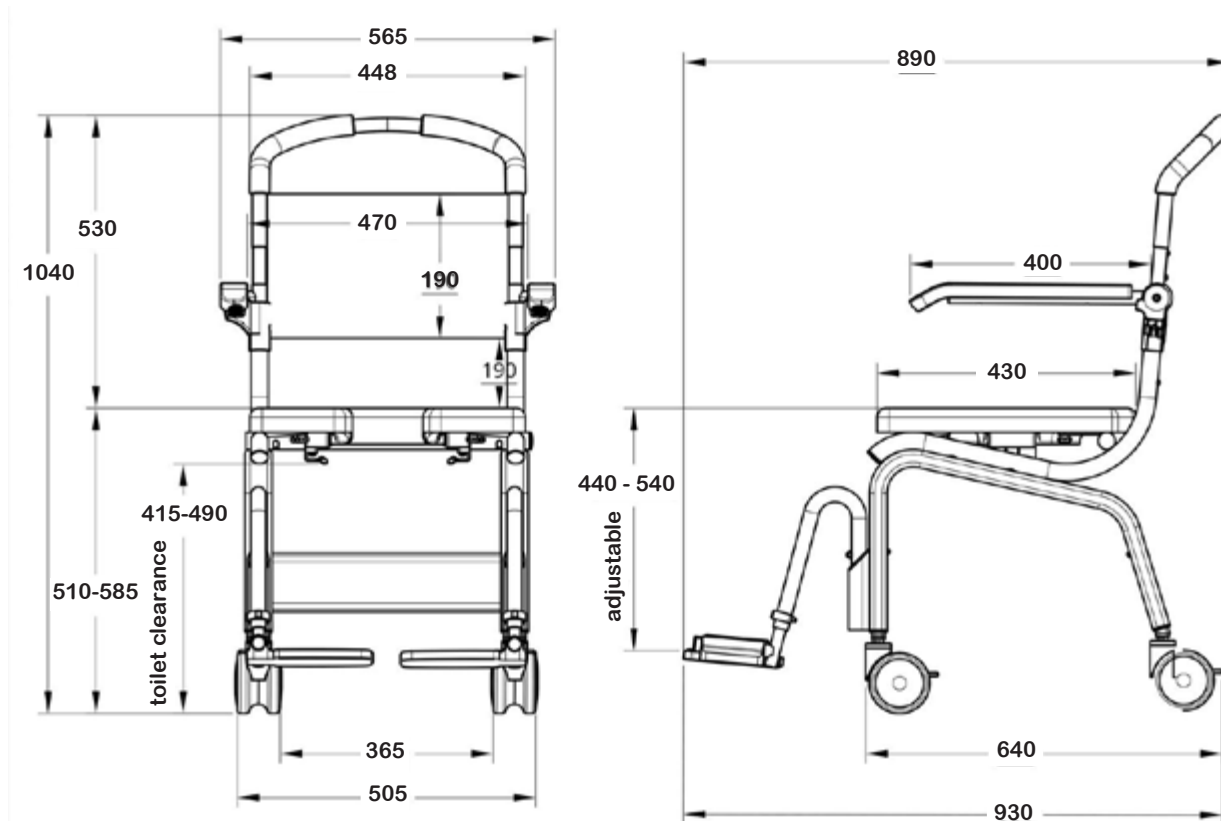
The SB6c mobile shower chair from Showerbuddy is designed for accessible or roll-in showers. It can roll straight over most toilets and into the shower, reducing manual handling and transfers for caregivers. The SB6c has a 450mm wide foam seat cushion and can also be used as a commode chair.

The SB6c shower chair comes with 4 locking high quality caster wheels, a commode system and numerous accessories to choose from.

The SB6c Roll-InBuddy Lite is lightweight, durable and has a lifetime warranty on the frame.



SB6c



Product features:

- Weight capacity - 136kg
- Rolls over most standard toilets
- Low maintenance
- Arms - lockable / flip-back
- Height adjustable
- Footrests - removable and swing-away, height adjustable
- No rust aluminum frame (Grade 6061 T6)
- Stainless steel parts and hardware (Grade 304)
- Safety belts - lap or chest belts plus calf strap
- Caster Wheels - 100mm all locking
- Commode system with deflector splash guard
- Tool-free assembly
- Full details see page 32-36

Accessory items

- Refer to the accessory pages or on our website



SCAN ME

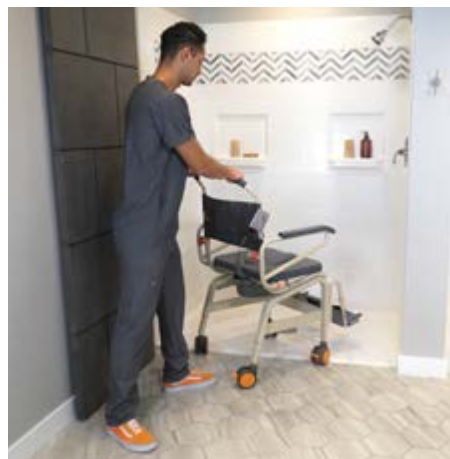
SB6c 22

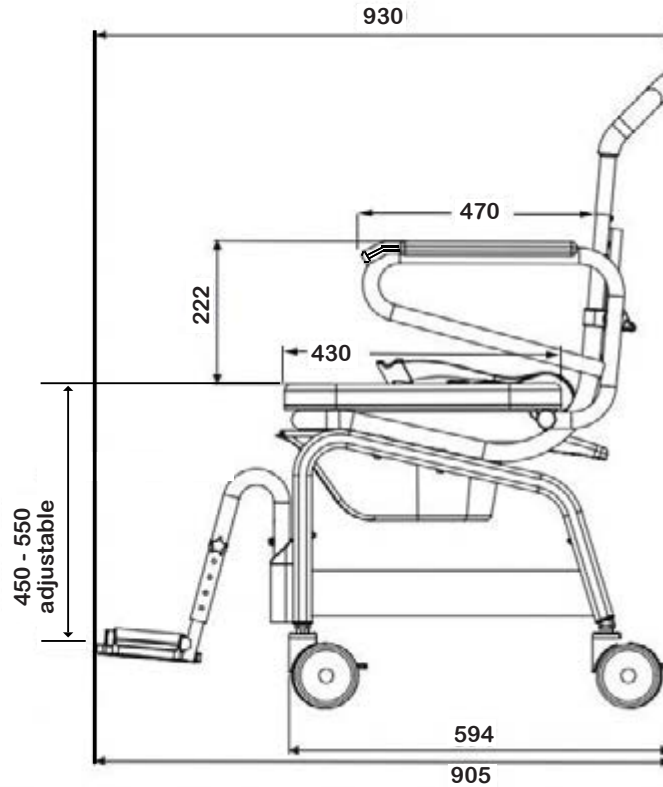
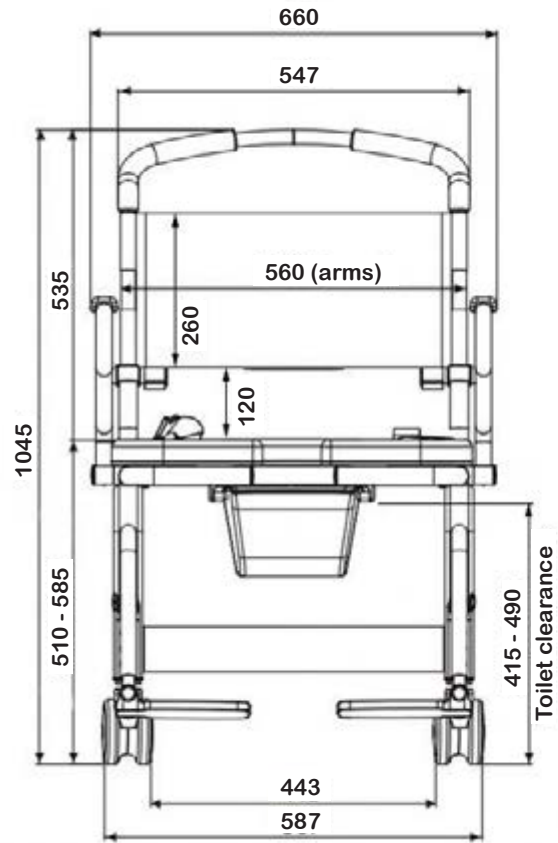
ROLL-INBUDDY XL

For roll-in showers



The SB6c-22 mobile shower chair from Showerbuddy is designed for accessible or roll-in showers for larger users needing attendant care. It can roll straight over the toilet and into the shower, reducing manual handling and transfers for the user and caregivers. The SB6c-22 has a 560mm wide seat cushion and can also be used as a commode chair. The SB6c-22 Roll-InBuddy XL is lightweight, durable and strong with a lifetime warranty on the frame.





SB6c 22

Product features:

- Weight capacity - 300kg (with larger 125mm casters)
- Weight capacity - 200kg (with standard casters)
- Rolls over toilets
- Low maintenance
- Arms - removable / lockable / flip-back
- Height adjustable
- Footrests - removable and swing-away, height adjustable
- No rust aluminum frame (Grade 6061 T6)
- Stainless steel parts and hardware (Grade 304)
- Safety belts - lap or chest belts
- Caster Wheels - 100mm all locking
- Commode system
- Tool-free assembly
- Full details see page 32-36

Accessory items

- Refer to the accessory pages or on our website



SCAN ME

SB6c 26

ROLL-INBUDDY XXL

For roll-in showers



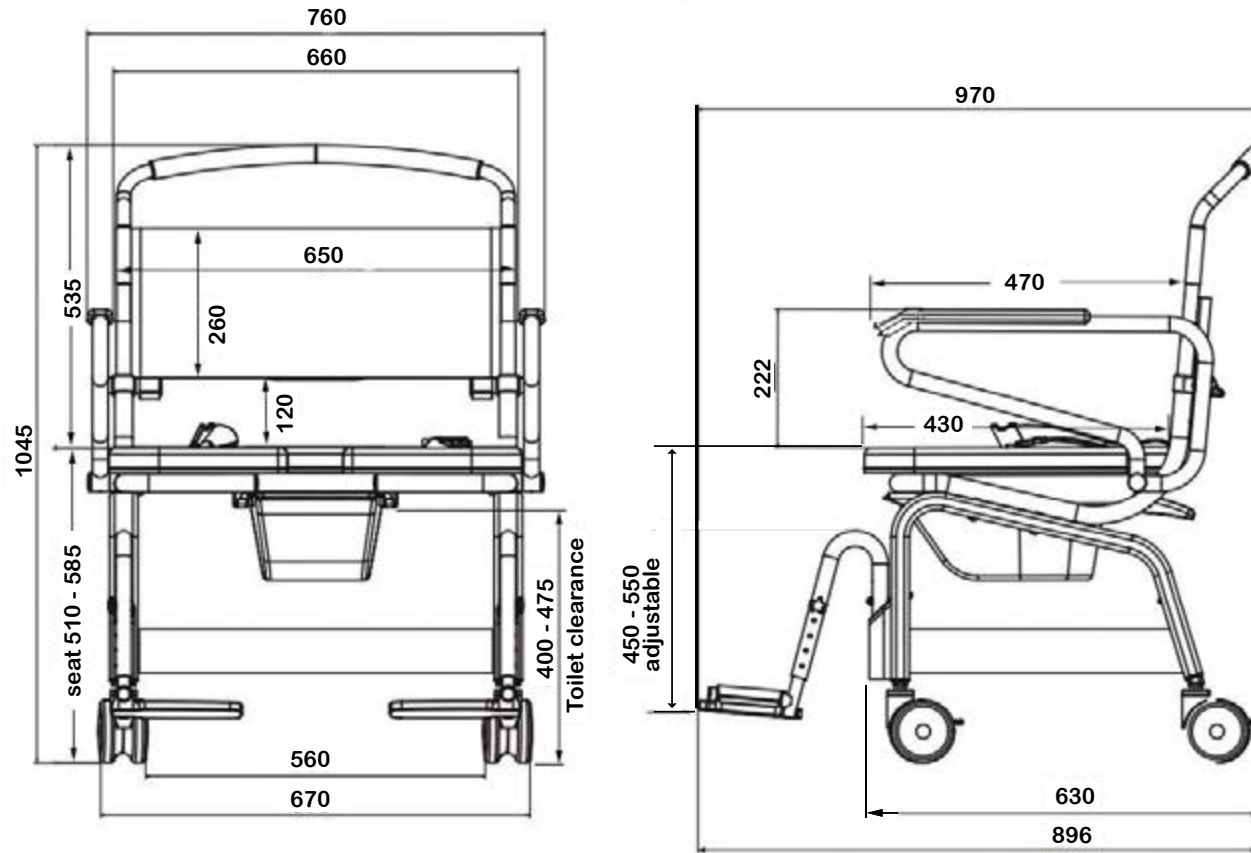
The SB6c-26 mobile shower chair from Showerbuddy is designed for accessible or roll-in showers for larger users needing a wider seat and attendant care. It can roll straight over the toilet and into the shower, reducing manual handling and transfers for the user and caregivers.

The SB6c-26 has a 660mm wide seat cushion and can also be used as a commode chair.

The SB6c-26 Roll-InBuddy XXL is lightweight, durable and strong with a lifetime warranty on the frame.



SB6c 26



Product features:

- Weight capacity - 300kg (with larger 125mm casters)
- Weight capacity - 200kg (with standard casters)
- Rolls over toilets
- Low maintenance
- Arms - removable / lockable / flip-back
- Height adjustable
- Footrests - removable and swing-away, height adjustable
- No rust aluminum frame (Grade 6061 T6)
- Stainless steel parts and hardware (Grade 304)
- Safety belts - lap or chest belts
- Caster Wheels - 100mm all locking
- Commode system
- Tool-free assembly
- Full details see page 32-36

Accessory items

- Refer to the accessory pages or on our website



SCAN ME

SB6w

ROLL-INBUDDY SOLO

For roll-in showers



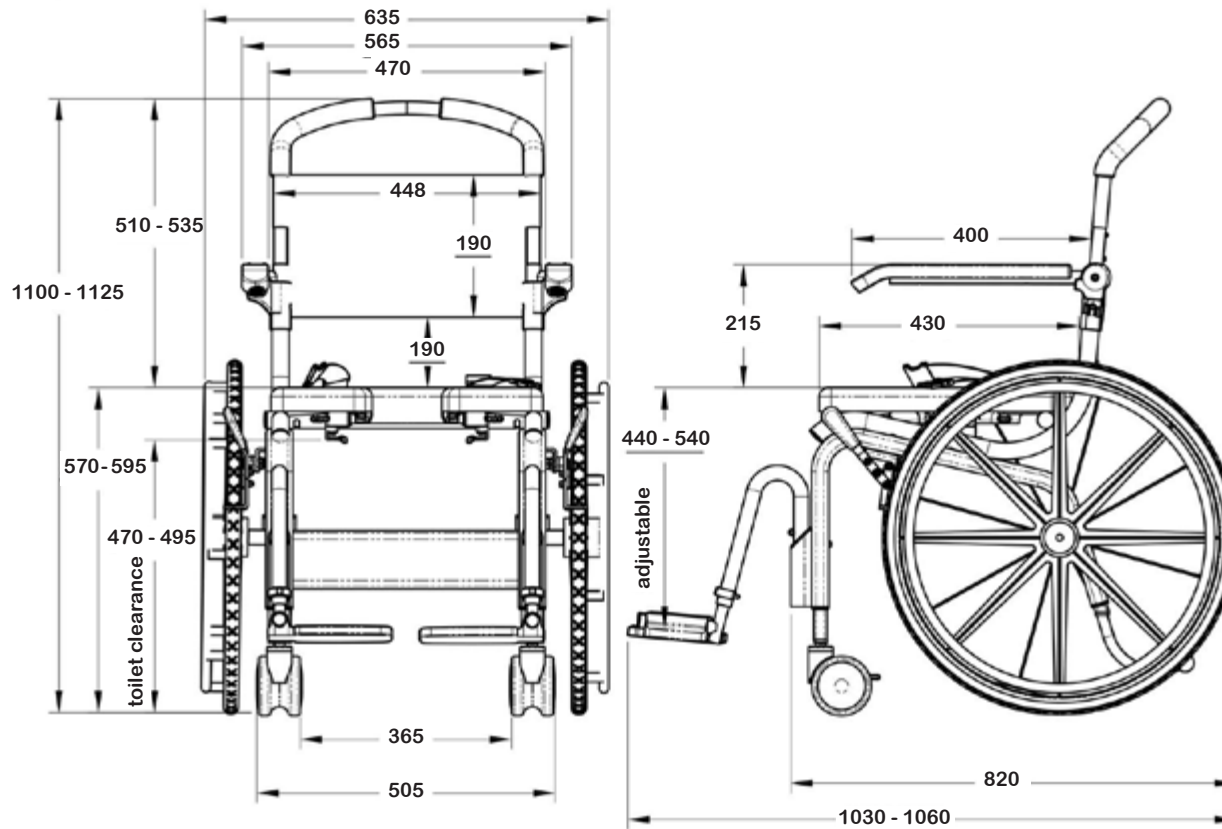
The SB6w mobile shower chair from Showerbuddy is designed for accessible or roll-in showers and for users who can self-propel. It can roll straight over most toilets and into the shower, reducing transfers for the user. The SB6w has a 450mm wide soft foam seat cushion that is height adjustable and can also be used as a commode chair.

The SB6w shower chair comes with 2 x 24" wheels with hand rims and 2 x locking high quality caster wheels, a commode system and numerous accessories to choose from.

The SB6w Roll-InBuddy Solo is lightweight, durable and has a lifetime warranty on the frame.



SB6w



Product features:

- Weight capacity - 136kg
- Rolls over most standard toilets
- Low maintenance
- Arms - Lockable / flip-back
- Height adjustable
- Footrests - removable and swing-away, height adjustable
- No rust aluminum frame (Grade 6061 T6)
- Stainless steel parts and hardware (Grade 304)
- Safety belts - lap or chest belts plus calf strap
- Caster Wheels - 100mm all locking
- Commode system with deflector splash guard
- Soft blow-mold cushion
- Tool-free assembly
- Full details see page 32-36

Accessory items

- Refer to the accessory pages or on our website



SCAN ME

SB7e

Eco-traveller

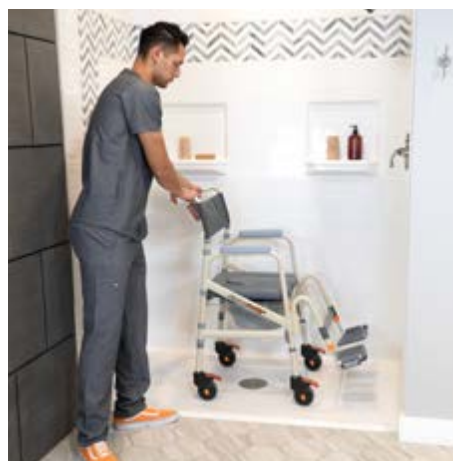
Folding shower commode



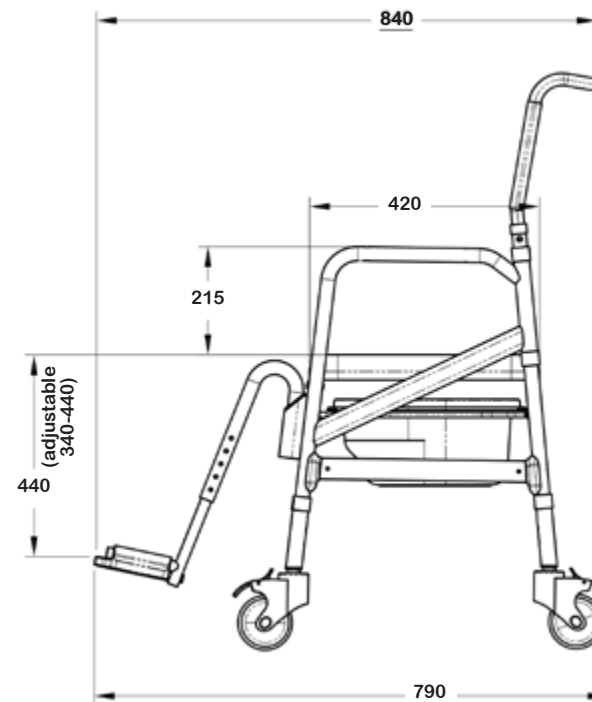
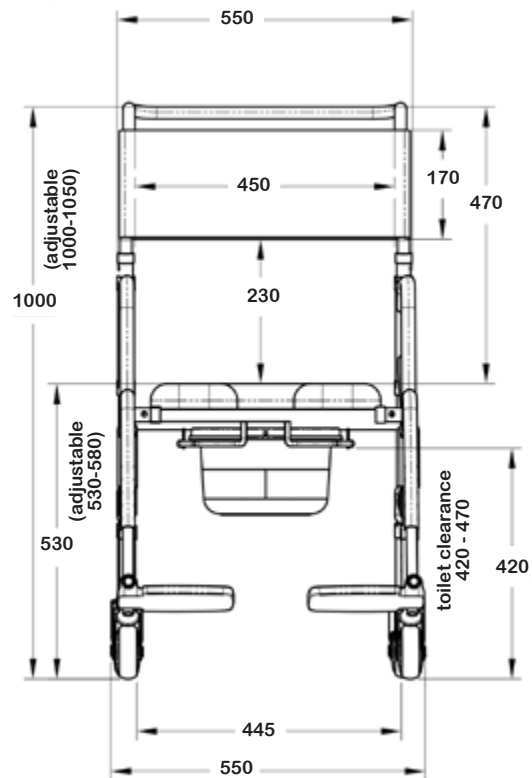
The SB7e travel shower commode chair is a lightweight economical chair designed for accessible or roll-in showers where space is at a premium. It can roll straight over most toilets and into the shower, reducing manual handling and transfers for caregivers.

The SB7e is fully height adjustable, has a soft foam cushion and can also be used as a commode chair, with commode bucket removed from the rear. It has 4 lockable caster wheels and flip up, fold away and height adjustable footrests, has tool-free assembly and quickly folds down to pack away into an accessory carry bag for travel.

The SB7e Eco traveller has a 2-year limited warranty.



SB7e



Product features:

- Weight capacity - 120kg
- Rolls over most standard toilets
- Arms - Fixed
- Height - Adjustable
- Footrests - Removable and swing away, height adjustable
- No rust aluminum frame (Grade 6061 T6)
- Stainless steel parts and hardware (Grade 304)
- Caster Wheels - 100mm 4 x locking
- Commode system
- Tool free assembly and easy fold down
- Full details see page 32-36

Accessory items

- Refer to the accessory pages or on our website



SCAN ME

Paediatric & Petite Solutions

P1

PETITE BUDDY

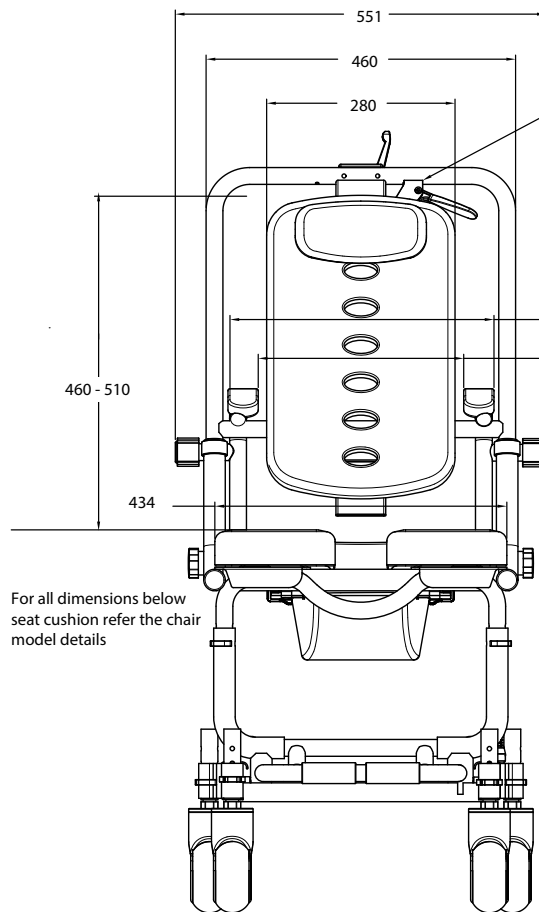
Converts Chairs to Petite size for smaller users

Petite-Buddy P1 allows your standard Showerbuddy chair to be sized to suit a smaller user yet retain the ability to grow with the user saving on expensive chair upgrade costs over time. With a padded backrest cushion (280mm wide) that adjusts for seat depth (325mm to 375mm) and limited recline, reduced width between armrests (295mm), smaller commode opening cushion (150mm) and adjustable padded neck pillow, the P1 offers a solution for smaller users needing to transfer.

Suitable for

✓SB1 ✓SB2 ✓SB2t ✓SB3t

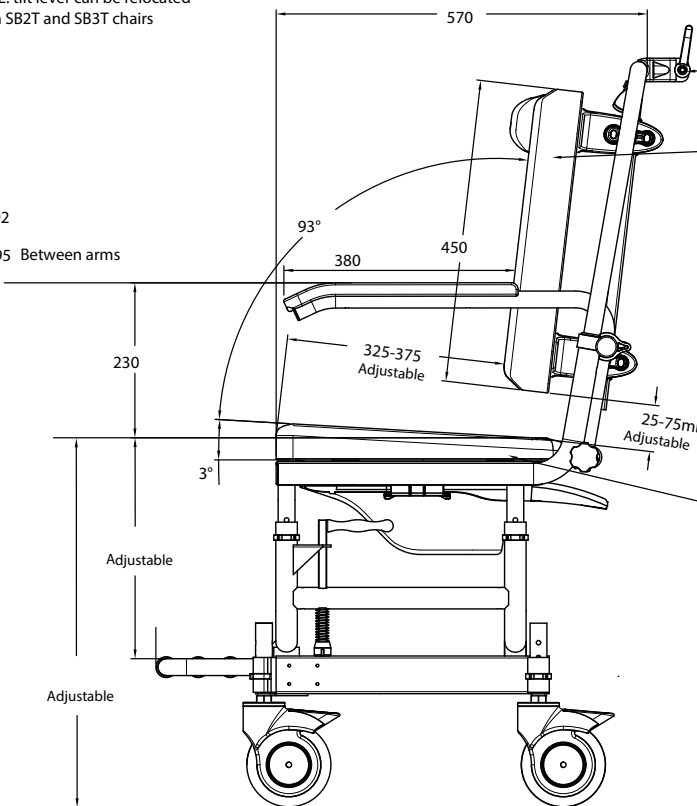




For all dimensions below seat cushion refer the chair model details

NOTE: tilt lever can be relocated from SB2T and SB3T chairs

NOTE: seatback is shown in the middle depth position front to back, and the highest position top to bottom



NOTE: neck rest Accessory [NRA] can be fitted

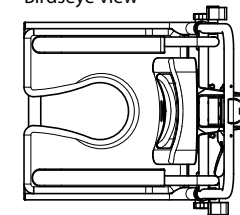
angle adjustable 84.5° / 93° / 101.5°

depth adjustable 325mm / 350mm / 375mm

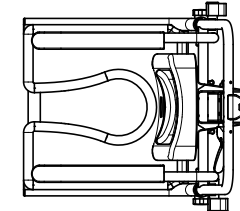
height adjustable backrest 25mm / 50mm / 75mm

NOTE: Cushion options: SCP1-R with rear slope and deeper commode opening, or accessory SCP1 cushion

Birdseye view



SCP1 Accessory Cushion



SCP1-R Standard Issue Cushion

Petite Buddy P1 shown fitted on SB1 chair base

Suitable for

✓SB1 ✓SB2 ✓SB2t ✓SB3t

Paediatric & Petite Solutions

P2

PETITE BUDDY

Converts Chairs to Petite use or for smaller users

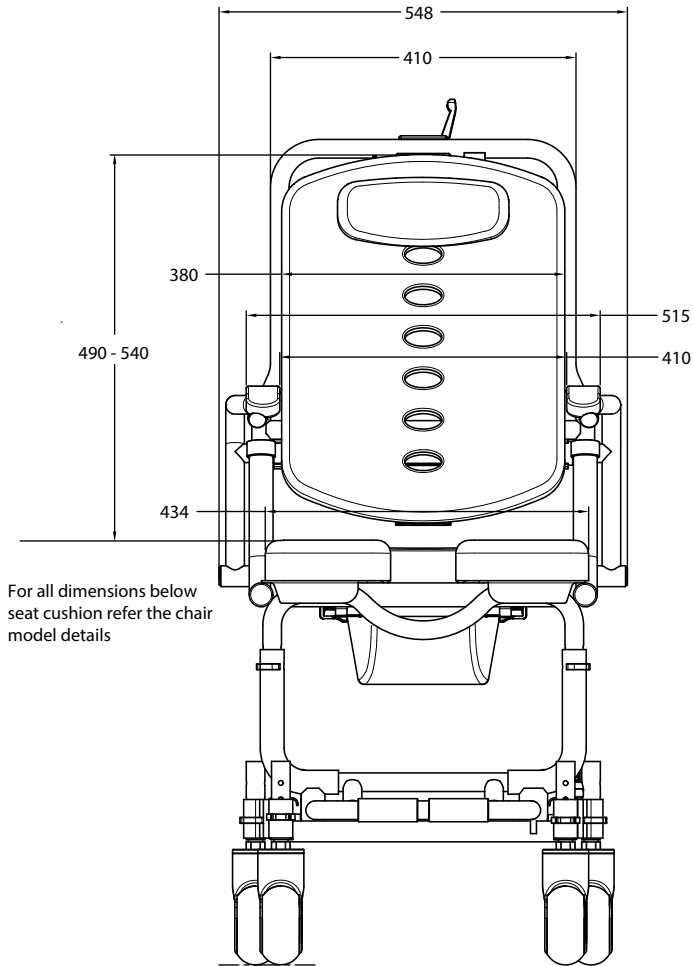
Petite-Buddy P2 allows your standard Showerbuddy chair to be sized to suit a smaller user yet retain the ability to grow with the user saving on expensive chair upgrade costs over time. With a padded backrest cushion (380mm wide) that adjusts for seat depth (325mm to 375mm) and limited recline, reduced width between armrests (420mm), smaller commode opening cushion (170mm) and adjustable padded neck pillow, the P2 offers a solution for smaller users needing to transfer.

Suitable for

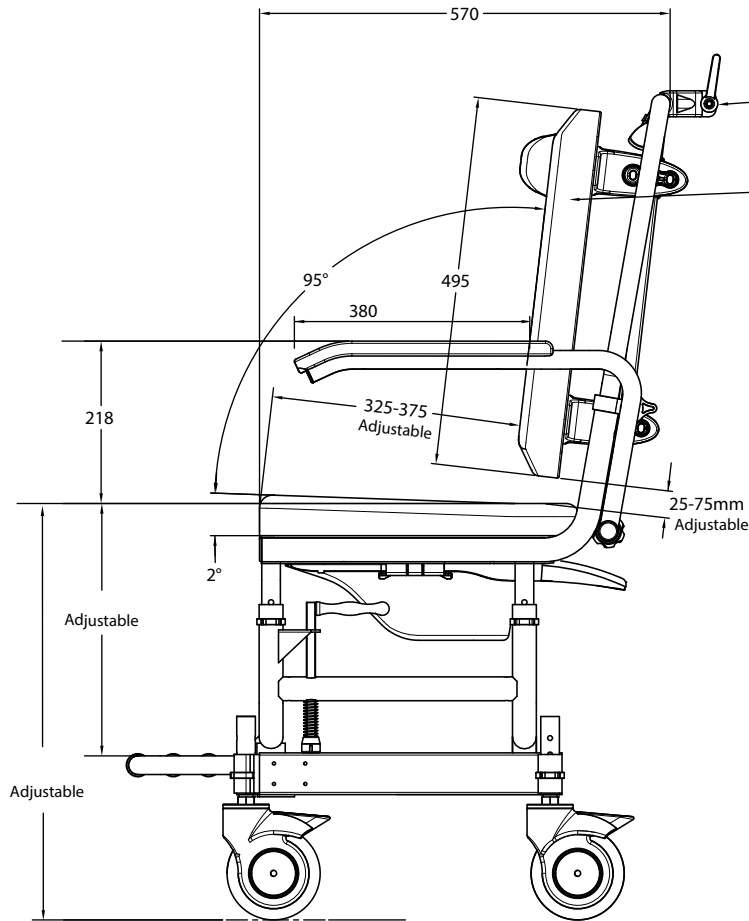
✓SB1 ✓SB2 ✓SB2t ✓SB3t



P2



For all dimensions below seat cushion refer the chair model details

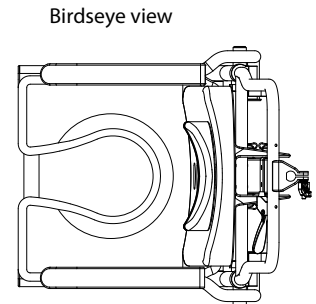


NOTE: neck rest Accessory [NRA] can be fitted

angle adjustable
84.5° / 93° / 101.5°

depth adjustable
325mm/350mm/ 375mm

height adjustable backrest
25mm/ 50mm/75mm














Petite Buddy P2 shown fitted on SB1 chair base

Suitable for

- ✓SB1
- ✓SB2
- ✓SB2t
- ✓SB3t








Accessories

| PROBLEM | ACCESSORY | ORDER CODE | IMAGE | | | | | | | | | | | DESCRIPTION | |
|--|---------------------------|----------------------------|---|-------------|-----|------|------|------|------|------------|------------|------|--|-------------|---|
| | | | | SB1 | SB2 | SB2t | SB3t | SB6c | SB6w | SB6c 22 | SB6c 26 | SB7e | | | |
| If the connecting bridge was longer or shorter it would better suit my bathroom | Custom size Bridge | CB |  | ✓ | ✓ | ✓ | | | | | | | | | With transfer chairs sometimes the length of the bridge, connecting the mobile wheeled base to the bath or shower base unit, needs to be modified to suit the particular bathroom design or available space. Standard bridges can be shortened or lengthened up to 1.2m. Please contact your local dealer /distributor for more information. Includes: Modifying the length of bridge supplied with the chair by extending or shortening to suit the particular room configuration |
| If the standard connecting bridge was shorter it would better suit my bathroom | Shorter bridge for SB1 | BR-20-SB1 |  | ✓ | | | | | | | | | | | A standard Bridge but shortened to 200mm for SB1 use where space is at a premium |
| | Shorter bridge for SB1 | BR-30-SB1 |  | ✓ | | | | | | | | | | | A standard Bridge but shortened to 300mm for SB1 use where space is at a premium |
| | Shorter bridge for SB2/2t | BR-20-SB2 |  | | ✓ | ✓ | | | | | | | | | A standard Bridge but shortened to 200mm for SB2 and SB2T use where space is at a premium |
| My chair does not have a neck rest and I would like to fit one. | Neck Rest Assembly | NRA |  | ✓ | ✓ | | | | | | | | | | Sometimes a user may require a neck rest on a non-tilting transfer chair. Showerbuddy models SB1 and SB2 include provision for this and an accessory neck rest can easily be fitted after purchase. Neck rests are adjustable in height and forward / backward to suit most users. |
| My shower base is lower than or at the same level as the bathroom floor and I cannot set up my unit correctly. | Shower Base Risers | SBR100 SBR150 SBR200 |  | ✓ ✓ ✓ | | | | | | | | | | | When the base, or floor of the shower is sitting lower than or level with the bathroom floor it may not be possible to align the rolling base (chair) with the shower base unit to connect the bridge. In these instances you will need to extend the height of the shower base unit by using the accessory SBR. This accessory is a set of longer tubular leg parts that replace the existing legs located in the Shower Base unit allowing the height adjustment to be increased - SBR100 by 35mm - SBR150 by 85mm - SBR200 by 135mm |










| PROBLEM | ACCESSORY | ORDER CODE | IMAGE | | | | | | | | | | | DESCRIPTION | |
|--|---|------------|---|-----|-----|------|------|------|------|---------|---------|------|--|-------------|--|
| | | | | SB1 | SB2 | SB2t | SB3t | SB6c | SB6w | SB6c 22 | SB6c 26 | SB7e | | | |
| My bath tub is higher than normal and I cannot set up my unit correctly | Rolling Base Height Extender | RBE24 |  | | ✓ | ✓ | | | | | | | | | When the bath tub is higher than 530mm above the bathroom floor you will need to extend the height of the chair by swapping out existing height adjustment tubes with longer accessory RBE24 tubes. |
| My bath tub is lower than normal and I cannot set up my unit correctly | Tub Base Height Extender | TBE24 |  | | ✓ | ✓ | | | | | | | | | If the bath tub is deeper than 530mm and not deeper than 635mm you will need to extend the height of the bath base unit by swapping out existing height adjustment tubes with longer accessory TBE24 tubes. If the bath tub is deeper than 630mm the solution will not work. |
| I would like to use my chair for other than a commode | Seat Cushion Overlay | SCO |  | ✓ | ✓ | ✓ | ✓ | | | | | | | | The SCO overlay is a full sized PU Foam cushion overlay that closes off the commode opening allowing the chair to be used as a transport chair. |
| I would like to use my SB6 chair for other than a commode | Seat Cushion Overlay for SB6 chair only | SCOC |  | | | | | ✓ | ✓ | | | | | | To close the commode function and use the chair as a transport chair if required. Fits Shower-buddy chair SB6c and SB6w only. |
| I would like a commode opening further towards the back of the cushion and more slope on the cushion | Seat Cushion with Smallest Extended Opening | SCP1-R |  | ✓ | ✓ | ✓ | ✓ | | | | | | | | An open front cushion with smaller commode aperture of 150mm (6"). Commode slot at front 75mm (3") wide, rear of aperture to back of cushion 105mm (4"). This cushion is also thicker than standard cushions and has an incline towards the backrest. |
| I would like a smaller commode opening in the cushion | Cushion with 170mm commode opening | SCP2 |  | ✓ | ✓ | ✓ | ✓ | | | | | | | | An open front cushion with smaller commode aperture of 145mm (5.75"). Commode slot at front 70mm (2.75") wide, rear of aperture to back of cushion 155mm (6"). This cushion is also thicker than standard cushions. |

Accessories

| PROBLEM | ACCESSORY | ORDER CODE | IMAGE | | | | | | | | | | | DESCRIPTION |
|--|---------------------------------|------------|---|-----|-----|------|------|------|------|---------|---------|------|--|---|
| | | | | SB1 | SB2 | SB2t | SB3t | SB6c | SB6w | SB6c 22 | SB6c 26 | SB7e | | |
| I need a closed front cushion | Seat Cushion Closed Front | SCCF 1-3 |  | ✓ | ✓ | ✓ | ✓ | | | | | | | A closed front commode cushion that fits the SB1 / SB2 / SB2T / SB3T chairs only. This is a soft foam cushion with insert to close. |
| | | SCCF |  | | | | | ✓ | ✓ | | | | | PU Cushion fits SB6 chairs. No Closure. |
| I want a soft cushion for SB1 - SB2 - SB3 Series | Soft Foam Cushion | SCSF |  | ✓ | ✓ | ✓ | ✓ | | | | | | | This accessory cushion has a plywood base inside the structure, with 10mm PE foam then 25mm soft foam on top, all encapsulated in a heat sealed 0.4mm vinyl cover. The cushion has locating lugs fitted to the underside to allow it to press fit to SB1, SB2, SB2T and SB3T chairs and screw fixes to SB6. |
| | | SCSF-6 | | | | | | ✓ | ✓ | | | | | |
| I need a right hand opening cushion | Seat Cushion right hand opening | SCRO |  | | | | | ✓ | ✓ | | | | | A Right Hand side opening commode cushion. |
| I need a left hand opening cushion | Seat Cushion left hand opening | SCLO |  | | | | | ✓ | ✓ | | | | | A Left Hand side opening commode cushion. |
| Can I reduce the dimension between the armrests | Armrests to reduce seat width | A-P1 |  | ✓ | ✓ | ✓ | ✓ | | | | | | | This accessory changes the dimension between standard armrests from 475mm to 295mm by removing the standard adult chair armrests and fitting this accessory. NOTE: These A-P1 armrests are removable but CANNOT fold away |










| PROBLEM | ACCESSORY | ORDER CODE | IMAGE | | | | | | | | | | | DESCRIPTION | |
|---|---------------------------------|------------|---|-----|-----|------|------|------|------|---------|---------|------|--|-------------|--|
| | | | | SB1 | SB2 | SB2t | SB3t | SB6c | SB6w | SB6c 22 | SB6c 26 | SB7e | | | |
| Can I reduce the dimension between the armrests | Armrests to reduce seat width | A-P2 |  | ✓ | ✓ | ✓ | ✓ | | | | | | | | This accessory changes the dimension between standard armrests from 475mm to 410mm by removing the standard adult chair armrests and fitting this accessory. NOTE: These A-P2 armrests are removable but CANNOT fold away. |
| My shower base needs suction cup feet to stop the base moving | Suction Cup Feet | Part #49 |  | ✓ | ✓ | ✓ | | | | | | | | | Suction cup feet can be used in the SB1 Showerbuddy to prevent movement of the shower base unit on the floor, or in the bath base unit of SB2 and SB2T. Note - if floor is not smooth use plastic discs, Part #SD |
| My chair comes with one set of lap / waist belts and I need another set | Safety Restraints | 500-270 |  | | | | | ✓ | ✓ | ✓ | ✓ | | | | SB6 series chairs come with one safety restraint. This set comes ex factory fitted as a chest belt but can easily be relocated to a waist setting. An additional set can fitted as an accessory to give both chest and waist for these models. |
| I would like an adjustable fabric back rest | Tensioned Backrest | TBR |  | ✓ | ✓ | ✓ | ✓ | ✓ | ✓ | | | | | | The tensioned backrest has 3 separate adjustment points to suit most users' posture and comfort. The fabric is a fast drying comfortable mesh fabric. |
| I would like an adjustable fabric back rest | Tensioned Backrest | TBR22 |  | | | | | | | ✓ | | | | | The tensioned backrest has 3 separate adjustment points to suit most users' posture and comfort. The fabric is a fast drying comfortable mesh fabric. |
| | | TBR26 | | | | | | | | | ✓ | | | | |
| I need to reduce the seat depth of my chair of my chair | Padded Foam Backrest Cushion | PBC |  | ✓* | ✓* | ✓* | ✓* | ✓ | ✓ | | | | | | For users requiring a padded backrest cushion. This cushion provides comfort and reduces the seat depth. Requires screw fixing to pre-drilled fixing locations in the chair push handle uprights, with all parts supplied. Height adjustable. *Chairs pre 2021 require fixing holes to be drilled in order to fit this accessory. |
| My push handle touches the shower walls when I rotate the chair - Do you have a straight handle | Straight Backrest - Push Handle | SPH |  | ✓ | ✓ | ✓ | ✓ | | | | | | | | This backrest frame / push handle has been straightened out and has no bend at the top towards the attendant so allowing more space within a shower enclosure. Reduces unit length dimensions by 70mm. |







Product Features

| |  |  |  |  |  |  |  |  |  |
|---|---|---|--|---|---|---|---|---|---|
| Model Name | Showerbuddy | TubBuddy | TubBuddy Tilt | Roll-InBuddy Tilt | Roll-InBuddy Lite | Roll-InBuddy XL | Roll-InBuddy XXL | Roll-InBuddy Solo | Eco-traveller |
| Model Number | SB1 | SB2 | SB2t | SB3t | SB6c | SB6-22 | SB6-26 | SB6w | SB7e |
| Suited to this type of bathroom | Shower with threshold | Shower over bathtub | Shower over bathtub | Roll In accessible shower | Roll In accessible shower | Roll In accessible shower | Roll In accessible shower | Roll In accessible shower | Roll In accessible shower |
| For user requiring an assistant | ✓ | ✓ | ✓ | ✓ | ✓ | ✓ | ✓ | | ✓ |
| For user who can self-propel | | | | | | | | ✓ | |
| For transfers to standard showers (with tray or step) | ✓ | | | | | | | | |
| For transfers over bath tub (to shower) | | ✓ | ✓ | | | | | | |
| For transfers to roll-in accessible showers | | | | ✓ | ✓ | ✓ | ✓ | ✓ | ✓ |
| For commode chair use | ✓ | ✓ | ✓ | ✓ | ✓ | ✓ | ✓ | ✓ | ✓ |
| Roll In chair comes with bath base or shower base unit | ✓ | ✓ | ✓ | | | | | | |
| Roll In chair only, no sliding transfer system | | | | ✓ | ✓ | ✓ | ✓ | ✓ | ✓ |










| |  |  |  |  |  |  |  |  |  |
|--|---|---|--|---|---|---|---|---|---|
| Model Name | Showerbuddy | TubBuddy | TubBuddy Tilt | Roll-InBuddy Tilt | Roll-InBuddy Lite | Roll-InBuddy XL | Roll-InBuddy XXL | Roll-InBuddy Solo | Eco-traveller |
| Model Number | SB1 | SB2 | SB2T | SB3T | SB6C | SB6-22 | SB6-26 | SB6W | SB7e |
| Suited to This Bathroom Type | Shower with threshold | Shower over bathtub | Shower over bathtub | Roll In accessible shower | Roll In accessible shower | Roll In accessible shower | Roll In accessible shower | Roll In accessible shower | Roll In accessible shower |
| Weight Limit 200kg | | | | | | ✓ | ✓ | | |
| Weight Limit 250kg | ✓ | ✓ | ✓ | ✓ | | | | | |
| Weight Limit 136kg | | | | | ✓ | | | ✓ | |
| Weight Limit 120kg | | | | | | | | | ✓ |
| Rolls Over the Toilet | ✓ | ✓ | ✓ | ✓ | ✓ | ✓ | ✓ | ✓ | ✓ |
| Frame - Low Maintenance / No Rust | ✓ | ✓ | ✓ | ✓ | ✓ | ✓ | ✓ | ✓ | ✓ |
| Frame - Aluminium with Stainless Steel Parts | ✓ | ✓ | ✓ | ✓ | ✓ | ✓ | ✓ | ✓ | ✓ |
| Tilt Function 0 - 30° with Infinite Positioning | | | ✓ | ✓ | | | | | |
| Neck Rest - Fully Adjustable | | | ✓ | ✓ | | | | | |

Product Features

| |  |  |  |  |  |  |  |  |  |
|--|---|---|--|---|---|---|---|---|---|
| Model Name | Showerbuddy | TubBuddy | TubBuddy Tilt | Roll-InBuddy Tilt | Roll-InBuddy Lite | Roll-InBuddy XL | Roll-InBuddy XXL | Roll-InBuddy Solo | Eco-traveller |
| Model Number | SB1 | SB2 | SB2T | SB3T | SB6C | SB6-22 | SB6-26 | SB6W | SB7e |
| Suited to This Bathroom Type | Shower with threshold | Shower over bathtub | Shower over bathtub | Roll In accessible shower | Roll In accessible shower | Roll In accessible shower | Roll In accessible shower | Roll In accessible shower | Roll In accessible shower |
| Arms - Foldaway / Lockable | ✓ | ✓ | ✓ | ✓ | ✓ | ✓ | ✓ | ✓ | |
| Arms - Fixed - Do Not Fold Away | | | | | | | | | ✓ |
| Armrests - 400mm Long PU Foam | ✓ | ✓ | ✓ | ✓ | ✓ | ✓ | ✓ | ✓ | |
| Armrests - 230mm Long Plastic | | | | | | | | | ✓ |
| Seat Cushion Height Adjustable | ✓ | ✓ | ✓ | ✓ | ✓ | ✓ | ✓ | ✓ | ✓ |
| Seat Cushion - PU Foam | ✓ | ✓ | ✓ | ✓ | | | | | |
| Seat Cushion - Soft Blow-moulded Foam, Heat Sealed Joints | | | | | ✓ | ✓ | ✓ | ✓ | ✓ |
| Footrests - Height Adjustable | ✓ | ✓ | ✓ | ✓ | ✓ | ✓ | ✓ | ✓ | ✓ |

| |  |  |  |  |  |  |  |  |  |
|---|---|---|--|---|---|---|---|---|---|
| Model Name | Showerbuddy | TubBuddy | TubBuddy Tilt | Roll-InBuddy Tilt | Roll-InBuddy Lite | Roll-InBuddy XL | Roll-InBuddy XXL | Roll-InBuddy Solo | Eco-traveller |
| Model Number | SB1 | SB2 | SB2T | SB3T | SB6C | SB6-22 | SB6-26 | SB6W | SB7e |
| Suited to This Bathroom Type | Shower with threshold | Shower over bathtub | Shower over bathtub | Roll In accessible shower | Roll In accessible shower | Roll In accessible shower | Roll In accessible shower | Roll In accessible shower | Roll In accessible shower |
| Footrests - Removable and Swing-away | ✓ | ✓ | ✓ | ✓ | ✓ | ✓ | ✓ | ✓ | ✓ |
| Footrests / Flip Up | ✓ | ✓ | ✓ | ✓ | ✓ | ✓ | ✓ | ✓ | ✓ |
| Lap or Chest Belts (can be fitted to suit user - 1 set only) | | | | | ✓ | ✓ | ✓ | ✓ | |
| Lap and Chest Belts come as standard | ✓ | ✓ | ✓ | ✓ | | | | | |
| Lap or Chest Belts - Not Supplied | | | | | | | | | ✓ |
| Caster Wheels 4 Locking, 12-mth warranty | ✓ | ✓ | ✓ | ✓ | ✓ | ✓ | ✓ | ✓ | ✓ |
| Wheelchair Wheels 610mm (24") + Front Casters | | | | | | | | ✓ | |
| Gross Box Weight Kg | 29.7 | 32.4 | 38.2 | 27.4 | 15.8 | 16.5 | 17.5 | 20.8 | 9.5 |
| Box Dimensions L x W x H (cm) | 76 x 57 x 63 | 68 x 58 x 81 | 84 x 58 x 86 | 84 x 58 x 76 | 58 x 57 x 50 | 59 x 56 x 49 | 59 x 66 x 49 | 66 x 64 x 54 | 78 x 55 x 21 |

Product Features

| |  |  |  |  |  |  |  |  |  |
|---|---|---|--|---|---|---|---|---|---|
| Model Name | Showerbuddy | TubBuddy | TubBuddy Tilt | Roll-InBuddy Tilt | Roll-InBuddy Lite | Roll-InBuddy XL | Roll-InBuddy XXL | Roll-InBuddy Solo | Eco-traveller |
| Model Number | SB1 | SB2 | SB2T | SB3T | SB6C | SB6-22 | SB6-26 | SB6W | SB7e |
| Suited to This Bathroom Type | Shower with threshold | Shower over bathtub | Shower over bathtub | Roll In accessible shower | Roll In accessible shower | Roll In accessible shower | Roll In accessible shower | Roll In accessible shower | Roll In accessible shower |
| Commode Bucket / Lid - Standard Round | | ✓ | ✓ | | | | | | ✓ |
| Commode Bucket / Lid - Custom Design / Handle | ✓ | | | ✓ | ✓ | ✓ | ✓ | ✓ | |
| Commode Bucket - Fit / Remove From Rear | ✓ | ✓ | ✓ | ✓ | ✓ | ✓ | ✓ | ✓ | ✓ |
| Commode Bucket - Fit / Remove by Flip Up Cushion | | | | | | | | | ✓ |
| Tool-free Assembly | ✓ | ✓ | ✓ | ✓ | ✓ | ✓ | ✓ | ✓ | ✓ |
| Warranty - 2 Year Limited (Refer Terms and Conditions) | ✓ | ✓ | ✓ | ✓ | ✓ | ✓ | ✓ | ✓ | ✓ |

shower**buddy**®

PRESENTS

BathCheck™



BathCheck is a unique on-line interactive tool for bathroom measurement and accessibility, designed and developed by Showerbuddy for OT's and Therapists.

Will the equipment fit my client's bathroom?

BathCheck can work that out pre-trial saving hours of travel and OT time.

Don't do a blind trial again, arrive prepared and ready with the correct equipment

For Mobility Equipment Suppliers **BathCheck** is invaluable

- It is new and unique, offering a point of difference to your business
- You will see a higher conversion rate, with less trials failing
- Your OT's will love the time saving for each home trial
- You will know how to set the equipment up to work, prior to shipping
- Don't be left behind, embrace BathCheck in your organisation
- **BathCheck** can be used on-line by the OT, a clients family or your own team, with the results emailed to you so you can set up the equipment in advance



DOWNLOAD
FREE FROM THE
APP STORES
HERE



OR GO DIRECTLY
ON-LINE HERE

