



**BMW E30 Seat Mount Kit
Manual**

Front



Driver



Rear

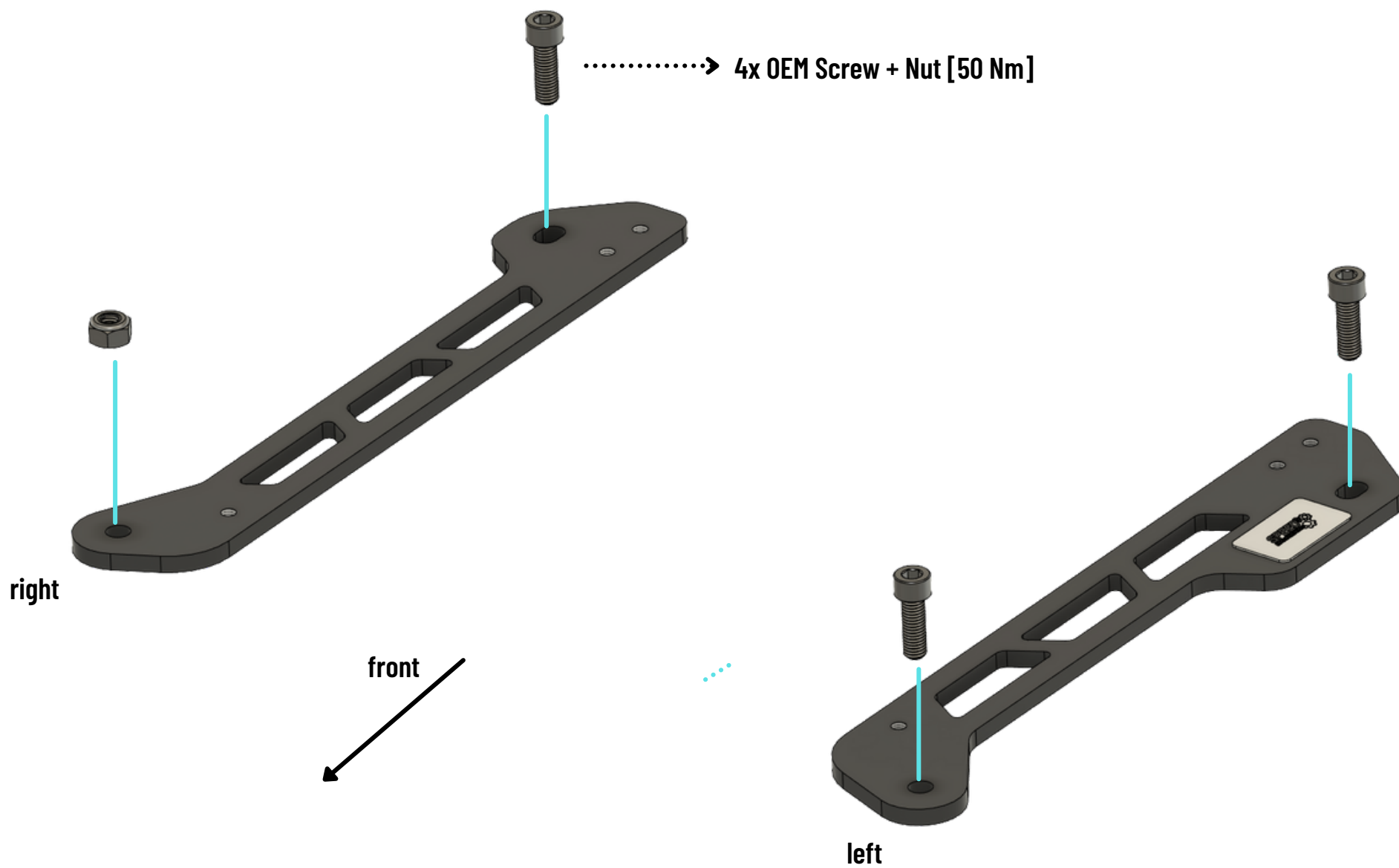
Co- Driver



**This product is designed and produced by the SPEED Engineering GmbH.
If you have any questions or comments,
please feel free to contact us.**

STEP 1

Console assembly
Driver

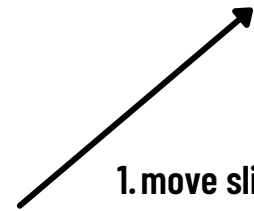
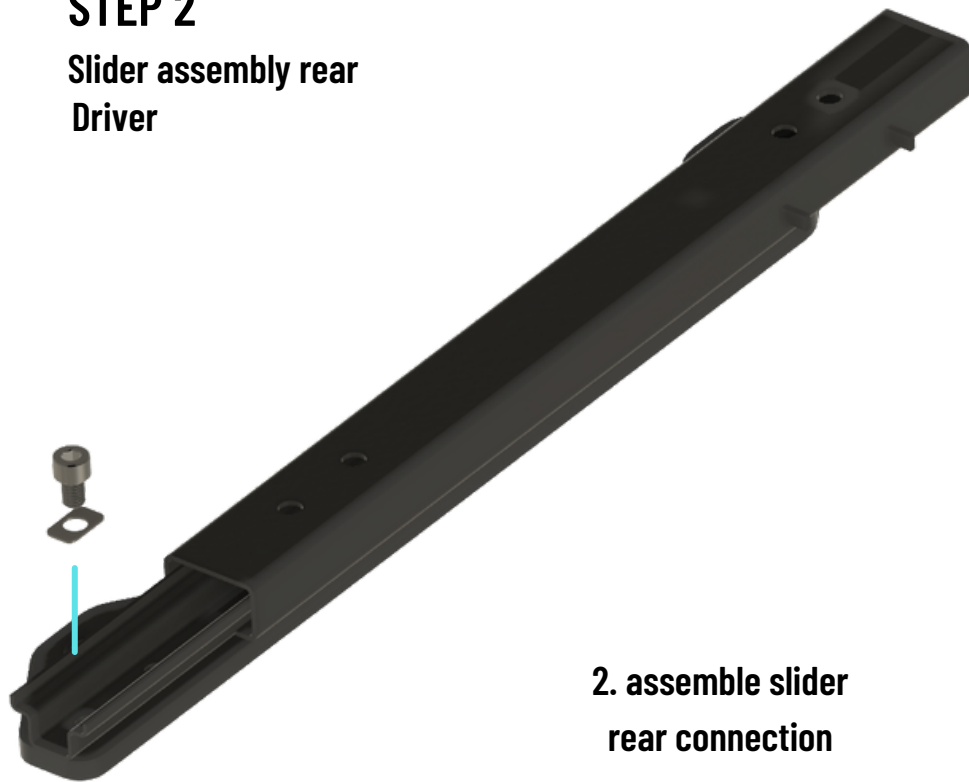


Please note!:

You basic console looks a little bit different. The following mounting steps are equal.

STEP 2

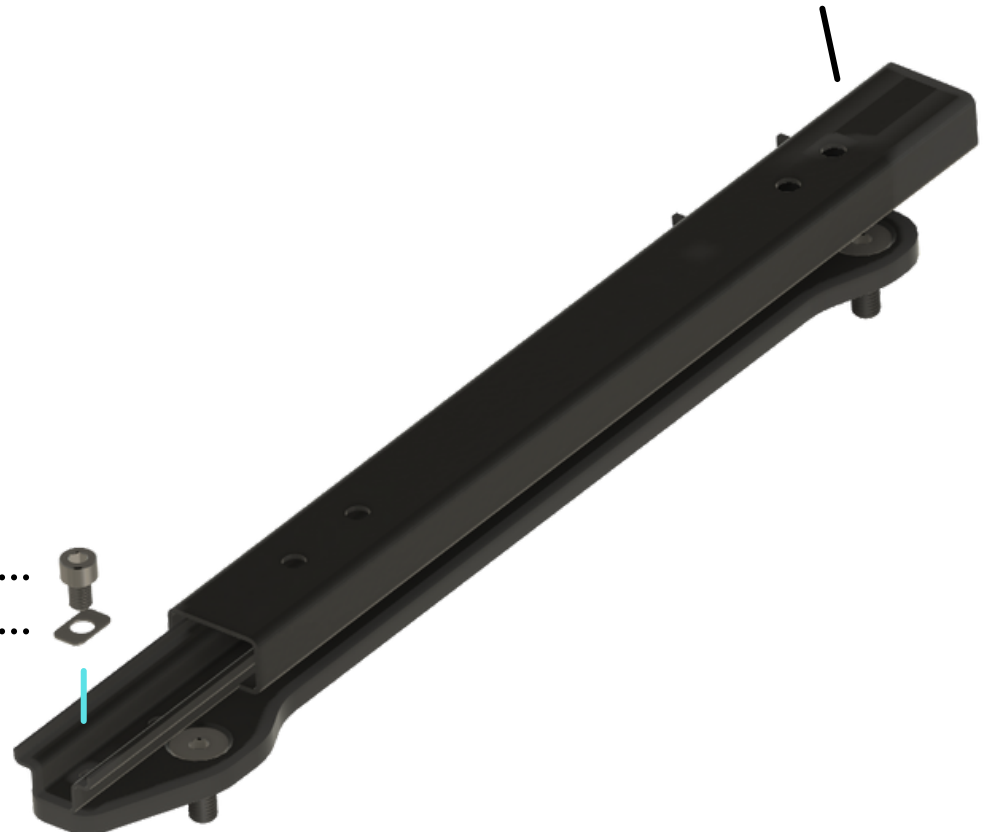
Slider assembly rear
Driver



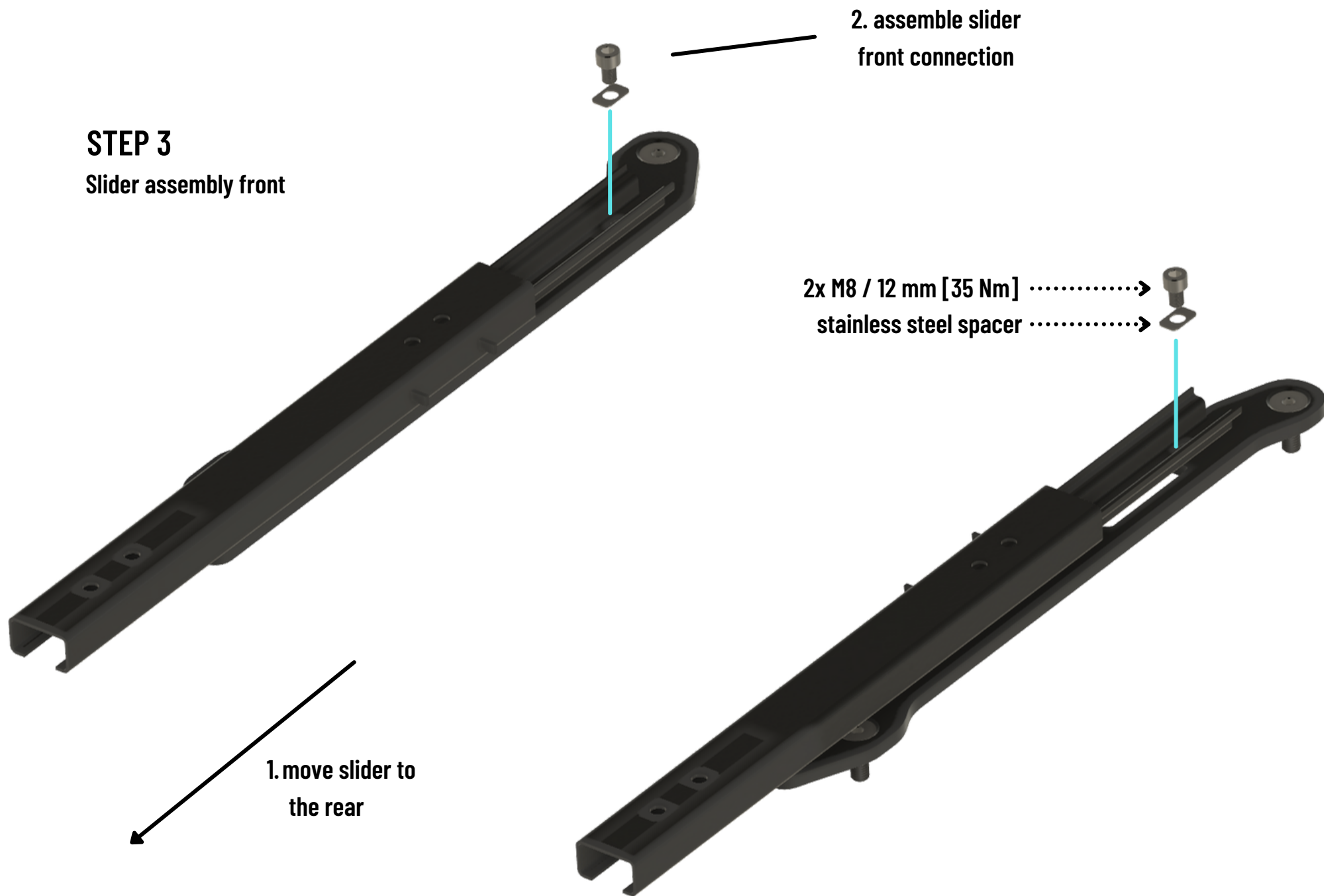
1. move slider to
the front

2. assemble slider
rear connection

2x M8 / 12 mm [35 Nm] ←.....
stainless steel spacer ←.....

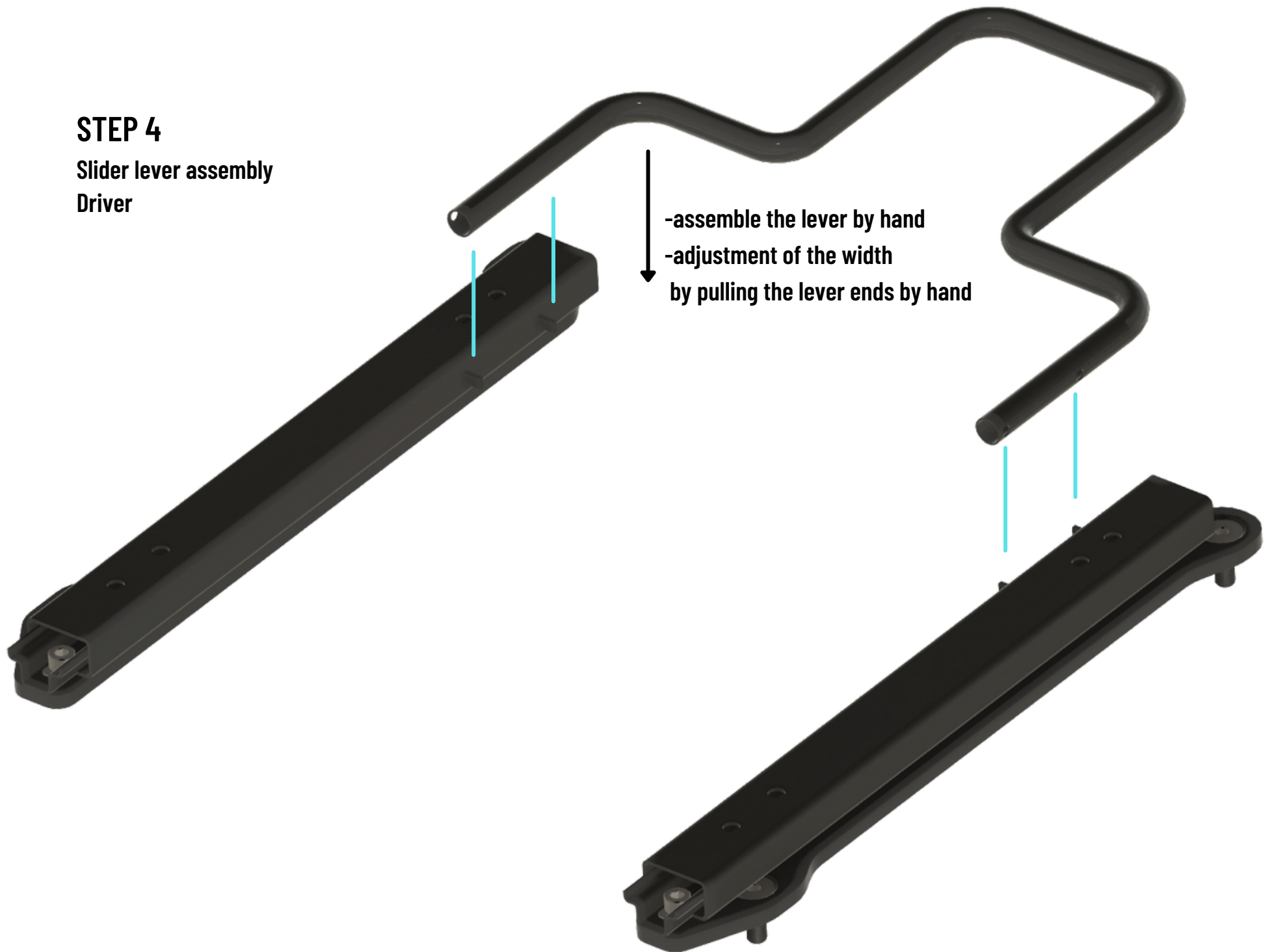


STEP 3
Slider assembly front



STEP 4

Slider lever assembly
Driver



-assemble the lever by hand
-adjustment of the width
by pulling the lever ends by hand

Please note! : Handle the lever with care. Don't push/pull it with too much strength.

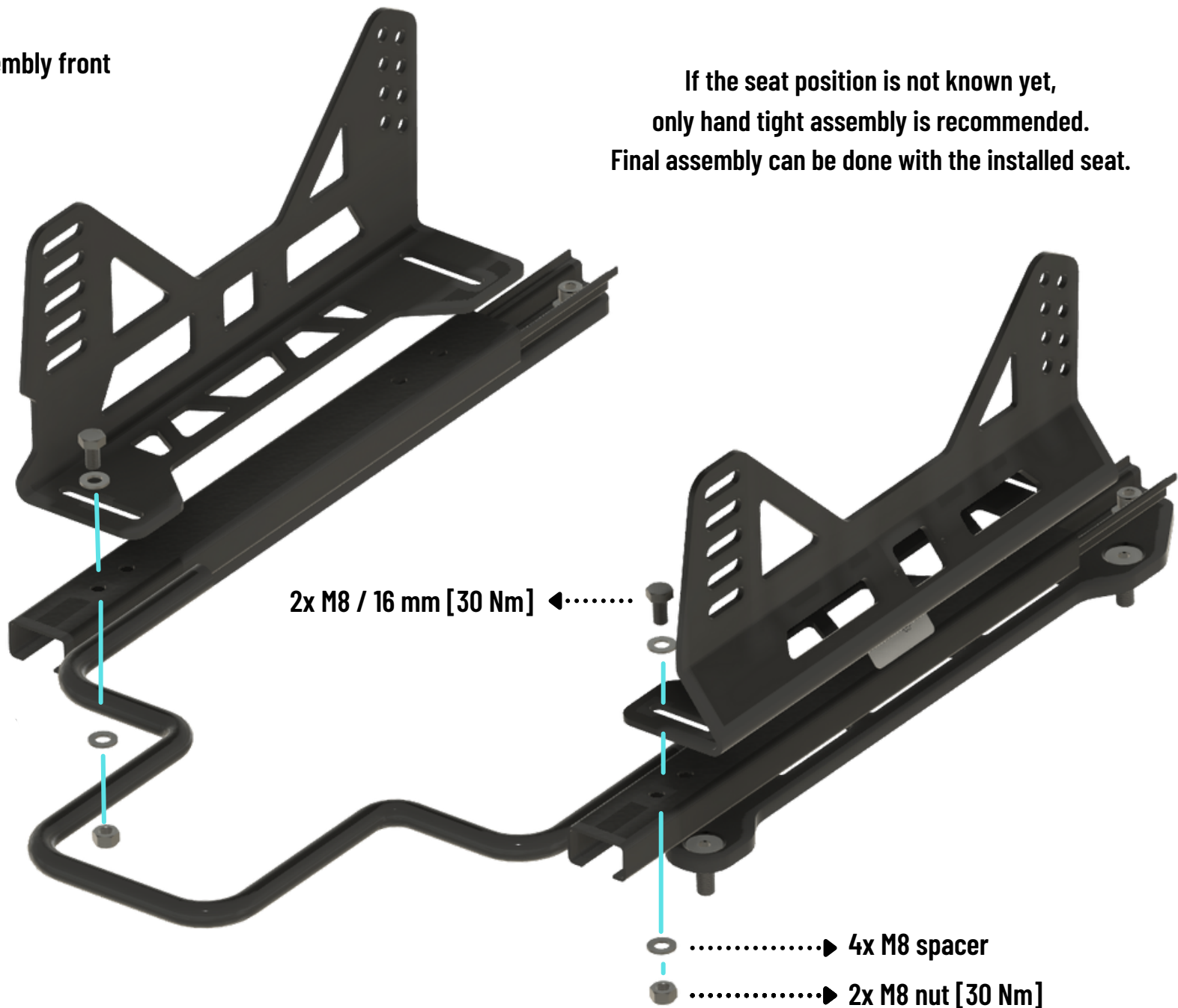
Please note! :

The side-brackets you got may looking different. The following mounting steps are equal. Please use 13235 for the left side and 13236 for the right side. Co-Drivers side is mirrored.

STEP 5

**L Adaptor assembly front
Driver**

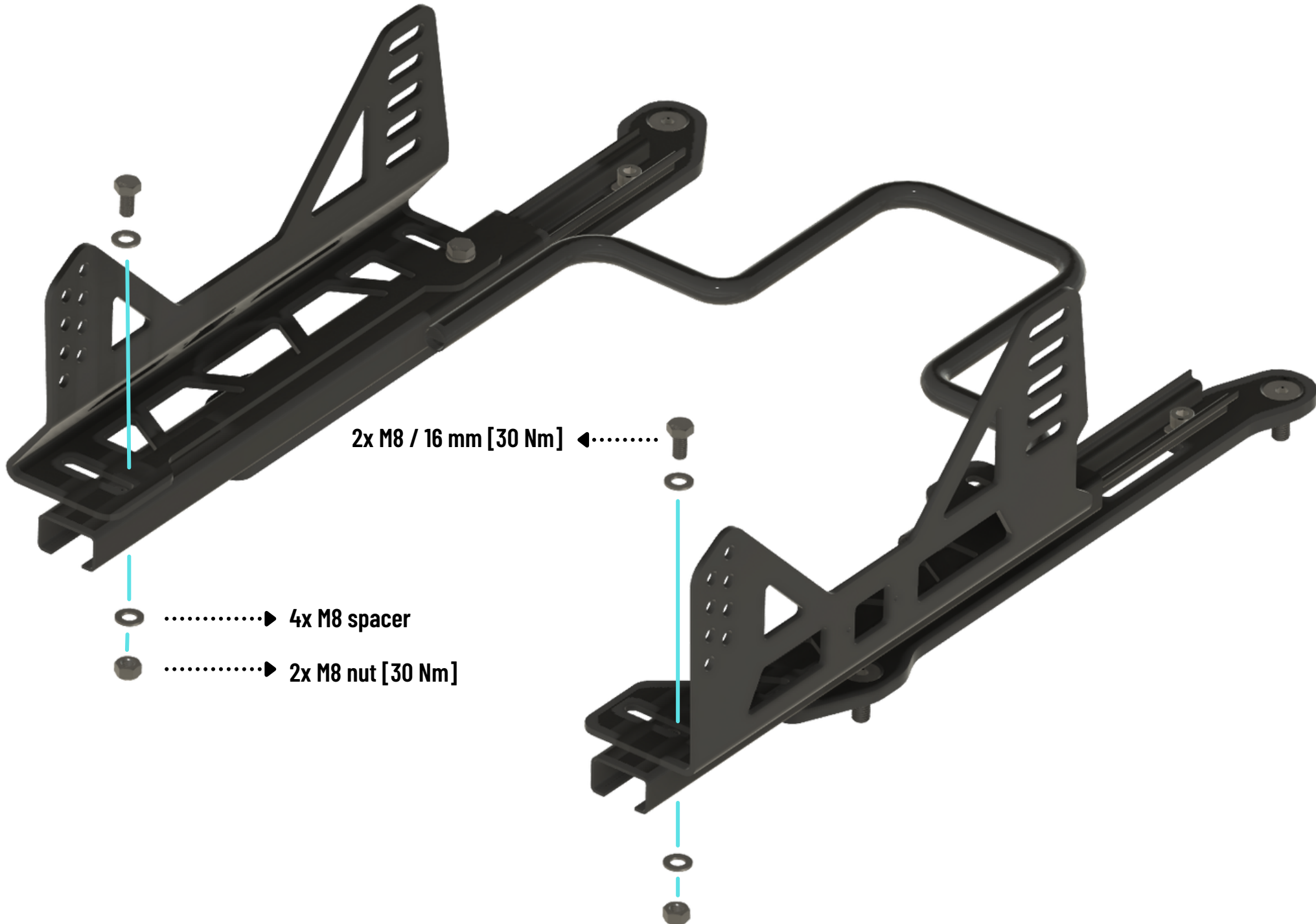
**If the seat position is not known yet,
only hand tight assembly is recommended.
Final assembly can be done with the installed seat.**



STEP 6

L Adaptor assembly rear

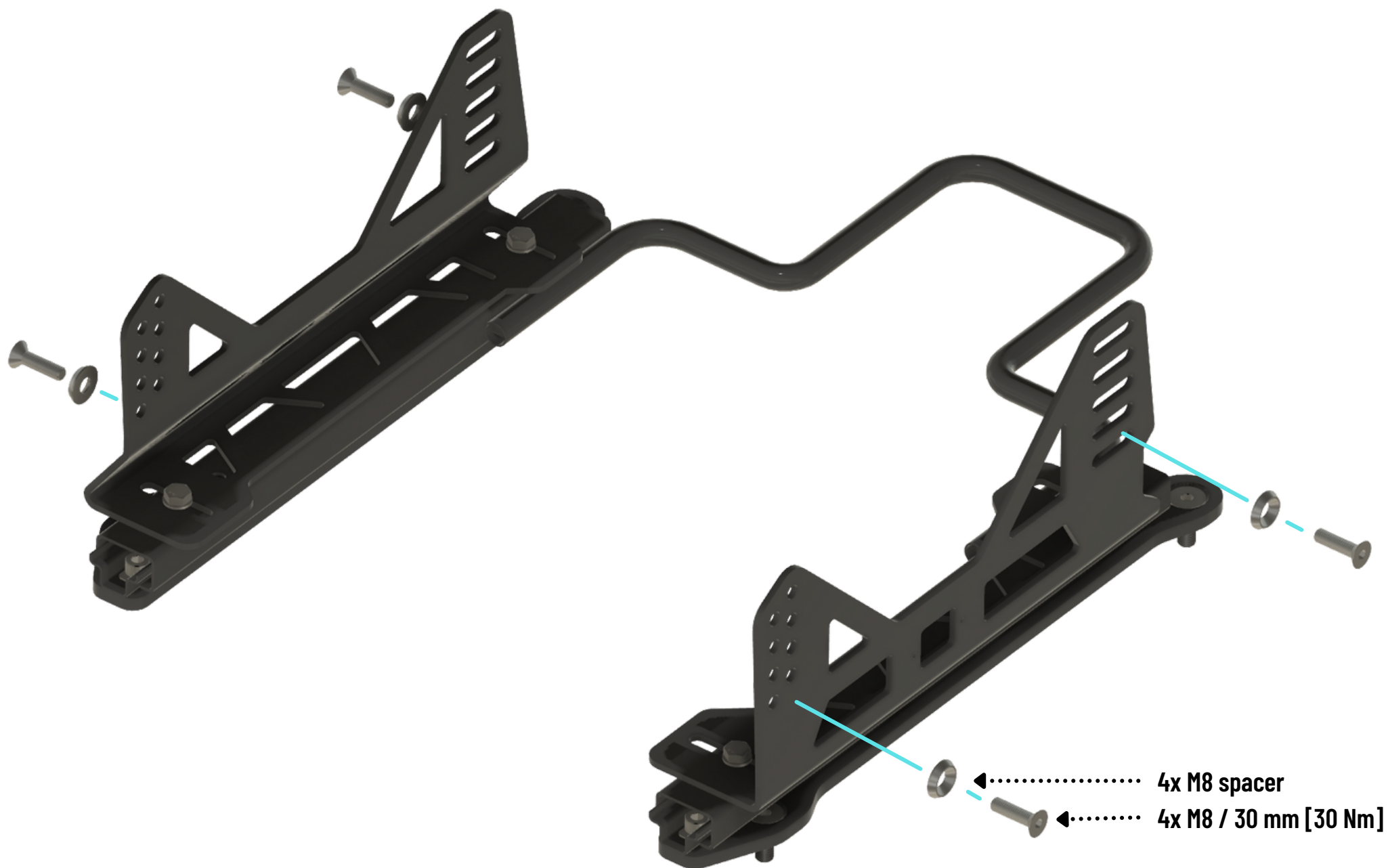
Tightening instruction see STEP 5.



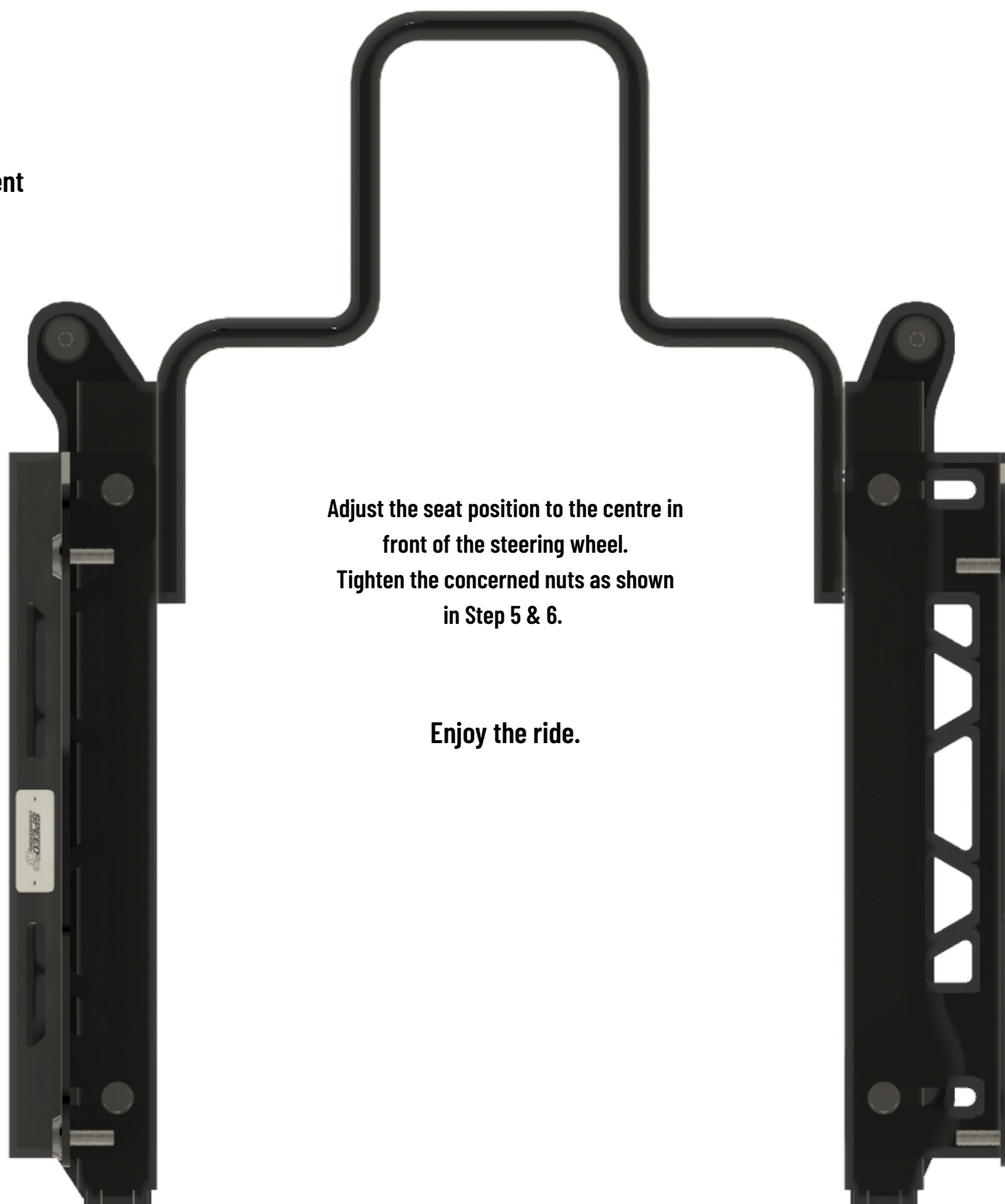
STEP 7

Seat assembly

Adjust the seat position height by the various holes. You can use both columns of holes for the assembly, to adjust the height as precise as possible.



STEP 8
Seat adjustment



Adjust the seat position to the centre in front of the steering wheel.
Tighten the concerned nuts as shown in Step 5 & 6.

Enjoy the ride.