

Smart Lighted Mirror



www.hauschenhome.com



After Sales Contact Email
office@hauschenhome.us

Thank you for purchasing this product. Before using the product, read through this user guide to ensure that you will use the product correctly. Please keep this guide for further reference.

Matters Needing Attention

Electrical Safety Instructions

INSTALLATION has to be made by a qualified / registered electrician. DO NOT attempt to install by yourself as HAUSCHEN HOME will not be responsible if this product is not installed by a professional.

Important

Read this instruction carefully and refer back to them during installation to ensure that your product is fitted safely and correctly. Always switch off the electrical supply at the mains during installation and maintenance. It is recommended that the fuse is withdrawn or the circuit breaker is switched off for the necessary circuit before installation. Fitting in Bathrooms is subject to the appropriate zone in accordance with IEE Regulations. This product is suitable for zone 2 and outside zones. IT IS NOT suitable for installation in Zone 0 or Zone 1. It is also not suitable for installation in saunas, steam rooms or shower cubicles. This product is only suitable for permanent installation. DO NOT connect to a trailing plug and socket outlet. Although this product has an Ingress Protection rating of IP44 it is only suitable for indoor use. Do not attach the product to surfaces that are damp or otherwise electrically conductive.

Installation Care & Safety

Wear suitable eye protection when drilling. Take care when using power tools near water - the use of a residual current device (RCD) is advised. Beware of hidden cables or pipes. Take care if drilling on tiled surfaces in case the drill slips. A piece of masking tape applied to the wall before marking out the fixing holes will stop the drill from wandering. DO NOT strike glass components with hard or pointed items. DO NOT place very hot or very cold items against or in close proximity to glass surfaces unless an adequately thick insulation material is used to prevent such items coming in contact with the glass. The nominal thickness of the mirror glass used in this product is 5mm. If the glass becomes chipped or broken replace immediately. This product should be positioned well away from curtains and other fabrics. Never cover the mirror. This product is heated, we recommend that it is turned off after use and should never be left on for prolonged periods of time. This product could be dangerous if installed incorrectly. PLEASE RETAIN THIS INSTRUCTION LEAFLET FOR FUTURE REFERENCE.

Cleaning

WHEN THE MIRROR MUST BE CLEANED, IT IS NECESSARY TO SWITCH IT OFF FIRSTLY!

DO NOT use abrasives or solvents when cleaning this product. Wipe off all water

spillages as soon as possible using a soft, damp cloth.

DO NOT submerge mirror in water, do not let go of water in the mirror.

Compliance

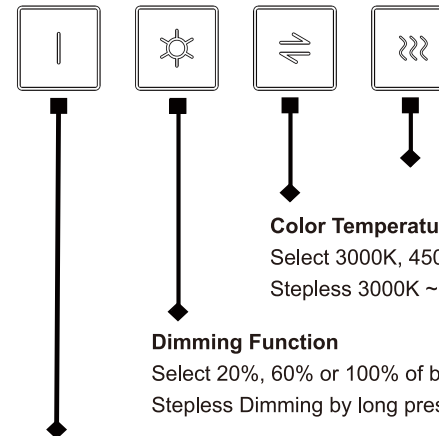
All electronic components used in this products are UL listed.

Wiring

This product is designed and manufactured in class II category, no need earth connection. The product need hardwired with the supply cable lead from the wall. Also we provide extra 1.5m U.S. 2-pin plug for easy connection with exist wall socket.

Control Your Smart Mirror with Touch Keys

You can use touch button on surface of mirror to control the mirror, the operating instructions as below:



Demister Heated / Defogger

Switch Defogger heating ON/OFF
It has 1-hour timing memory function, when the defogger works for 1 hour, it will automatically close.

Color Temperature Options

Select 3000K, 4500K or 5500K by slightly touching.
Stepless 3000K ~ 5500K changing by long pressing.

Dimming Function

Select 20%, 60% or 100% of brightness by slightly touching.
Stepless Dimming by long pressing.

Power Button

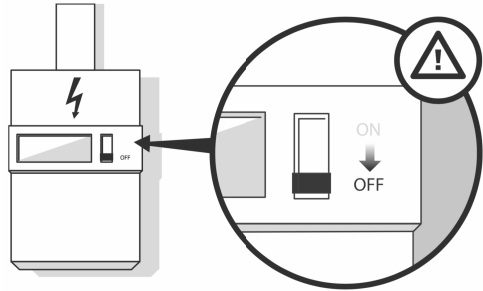
This button can control the light ON/OFF by slightly touching.

Noted: Hold on pressing [] and [] buttons at the same time with 3 seconds, the smart lighted mirror will enter standby state, the mirror light and touch button will turn off. Press any of the four buttons or turn on the wall switch again can wake up the mirror and will return to the state before standby.

Installation Procedure

Before starting your installation, please make sure:

- The wall surface must be of suitable strength and construction.
- The main electricity supply has been power-off.

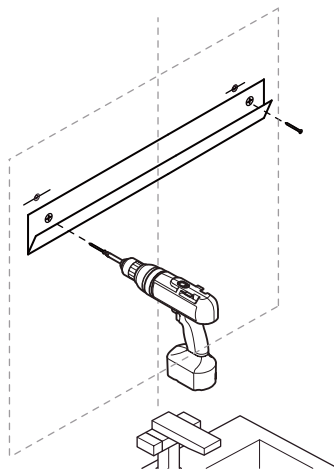


- 1, Measure the distance between the top of the mirror and hanger bar on mirror back.

NOTE: Longer bracket for horizontal mounting and shorter bracket for vertical mounting.

- 2, Draw a horizontal line on the wall according to the height you want hang the mirror. Mark the drill positions according to bracket. Ensure the drill positions are horizontal by using a spirit level. (step 2)

Accurately mark the hole positions with a pencil, drill and fit the wall plugs / anchors.

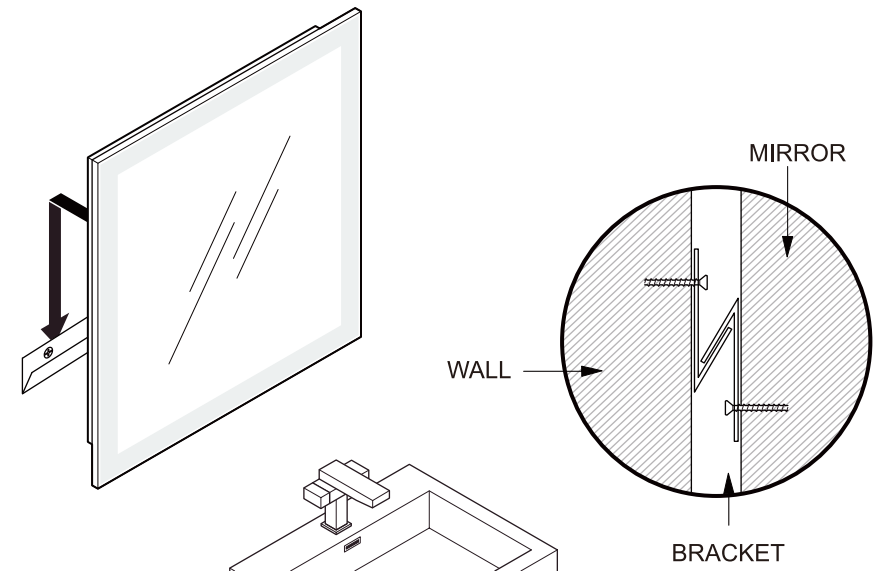


- 3, The next step is to make the electrical connection from the mirror to the mains supply. Use the connection wire found at the rear of the mirror to make the necessary connections.

- 4, Securely attach the mounting bracket to the wall.

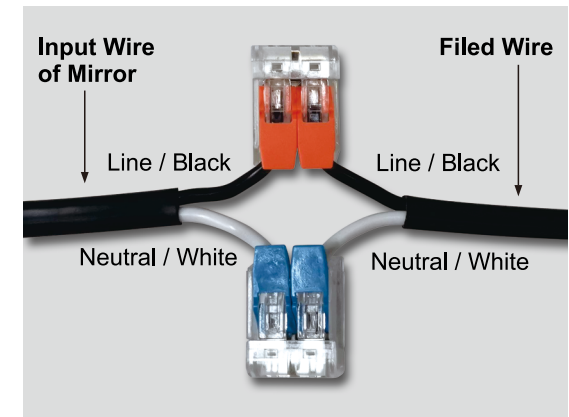
- 5, Hang the mirror on the mounting bracket and ensure mirror is securely mounted.

To remove the mirror, the mirror should first be lifted and then pulled away from the wall.



Make connections

Connect power cable from the wall to the connector terminals. Black to black, white to white.



Connecting to Smart Device

Set Up Your Smart Mirror

Follow the steps below to set up your smart mirror via Smart Life app.

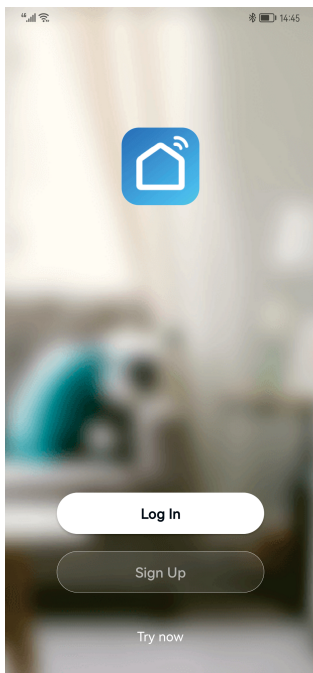
1. Download and install Smart Life app

Go to Google Play or the Apple App Store or scan the QR code below to download the Smart Life app on your Android or iOS smartphone or tablet.



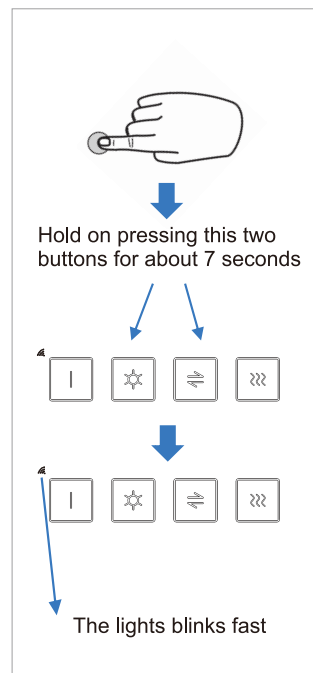
2. Log in or sign up with Smart Life app

Open the app. Use your Smart Life ID to log in. If you don't have a Smart Life account, tap Create Account and the Smart Life app will guide you through the rest.



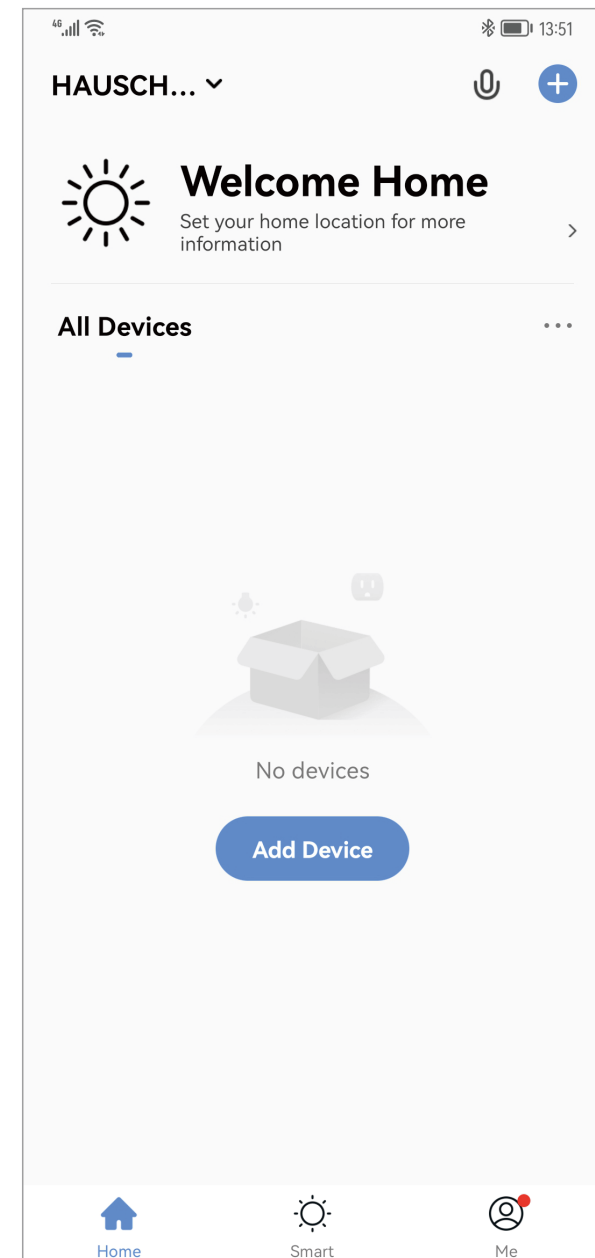
3. Set up your smart mirror

Connect your mirror to the electricity, keep the mirror lights off, and then hold on pressing the second & third buttons for about 7 seconds until the lights of wifi sign blinks fast.

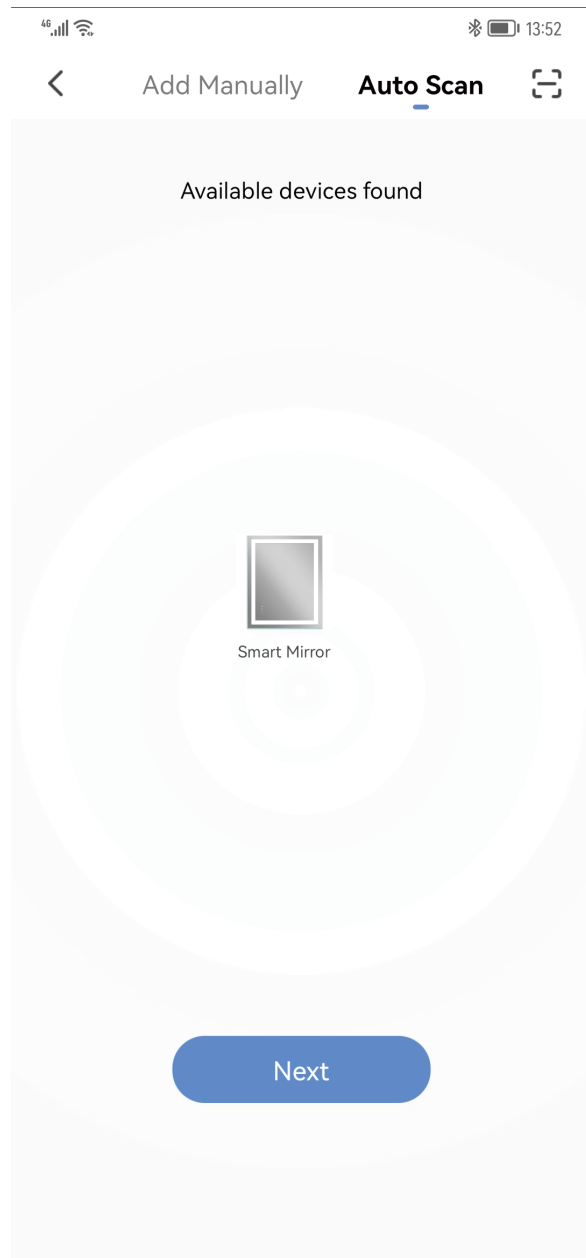


4. Add device

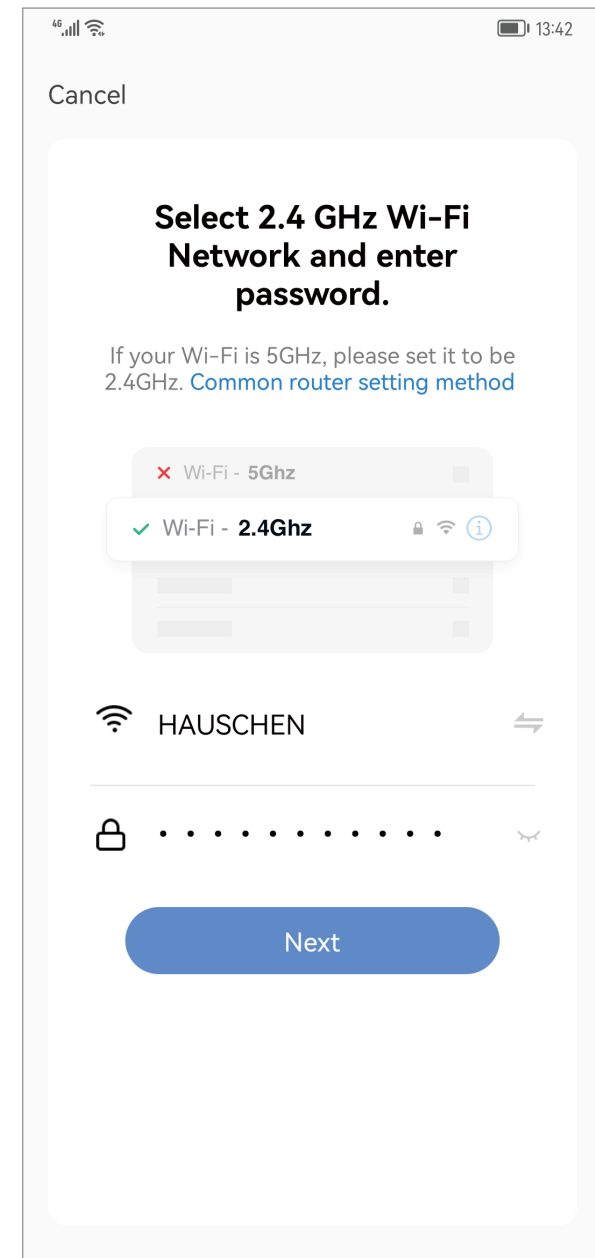
4.1 Enter the Smart Life app, tap the + button in the upper right of the page.



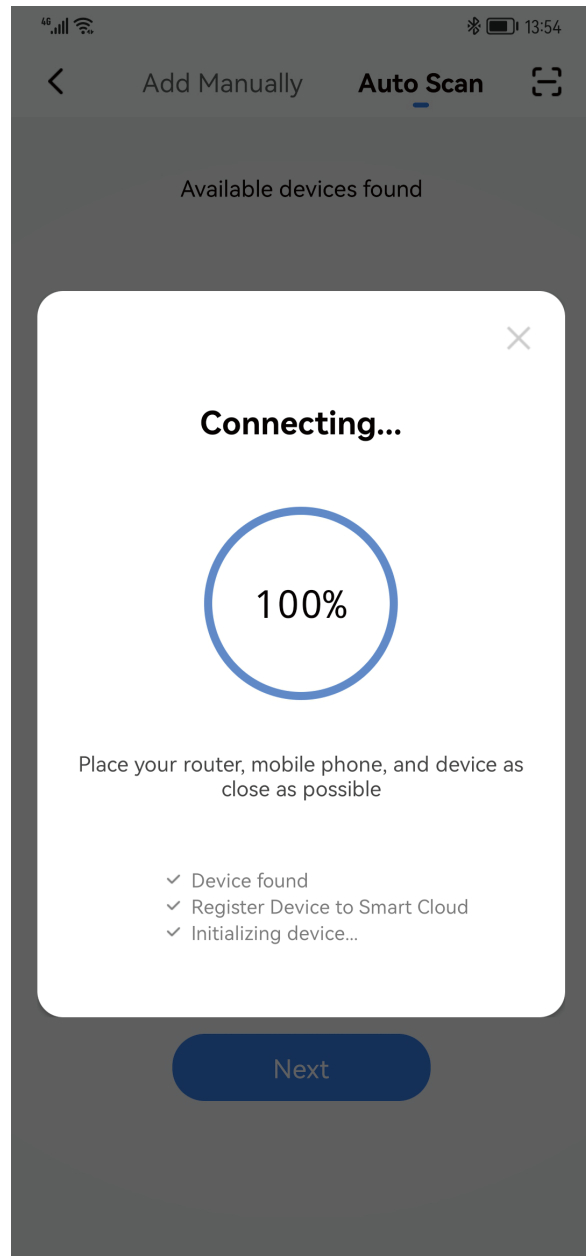
4.2 Click "Auto Scan" to find the devices. (For this step, you need to allow the APP's access to use Wi-Fi and Bluetooth)



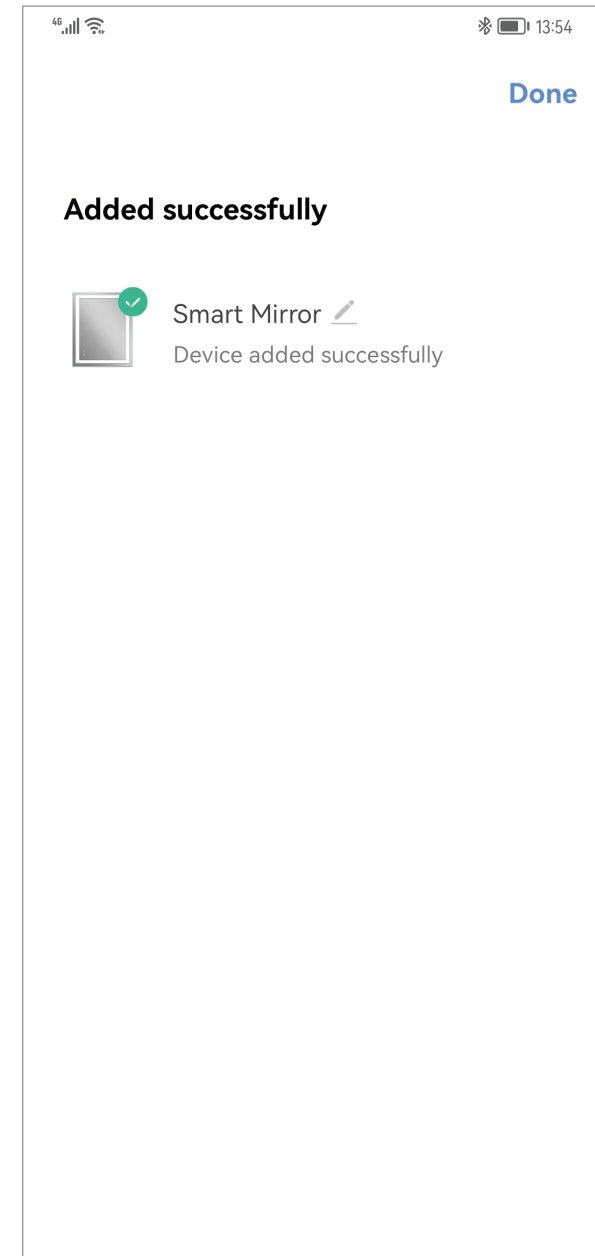
4.3 Select your devices, and then you will jump the page where you need to enter your Wi-Fi password. (Only 2.4G Wi-Fi networks are supported)



4.4 Waiting for 8-10 seconds to complete connection.



4.5 The Smart Mirror added successfully, and you can name your device as you want.



4.6 The devices are online, enjoy your Smart Mirror.
(The Mirror Heater is a single device, and it can also be named any words as you want)



Main Device Controls

After you successfully set up your Smart Mirror, you will see the home page of the Smart Life. Here you can view the status of all devices that you've added to Smart Life and manage them. Tap on Smart mirror to check the current status and control the mirror.

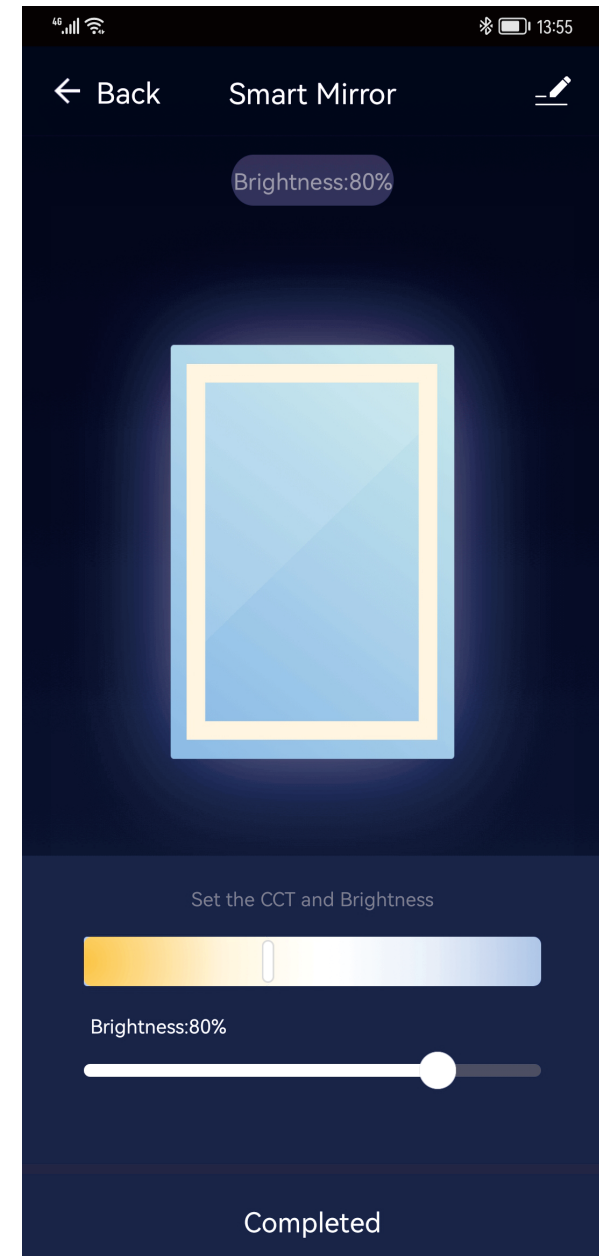
1. On Smart Mirror page, you can turn on/off mirror light and mirror heater



2. Tap  to set the color temperature and brightness of mirror light.



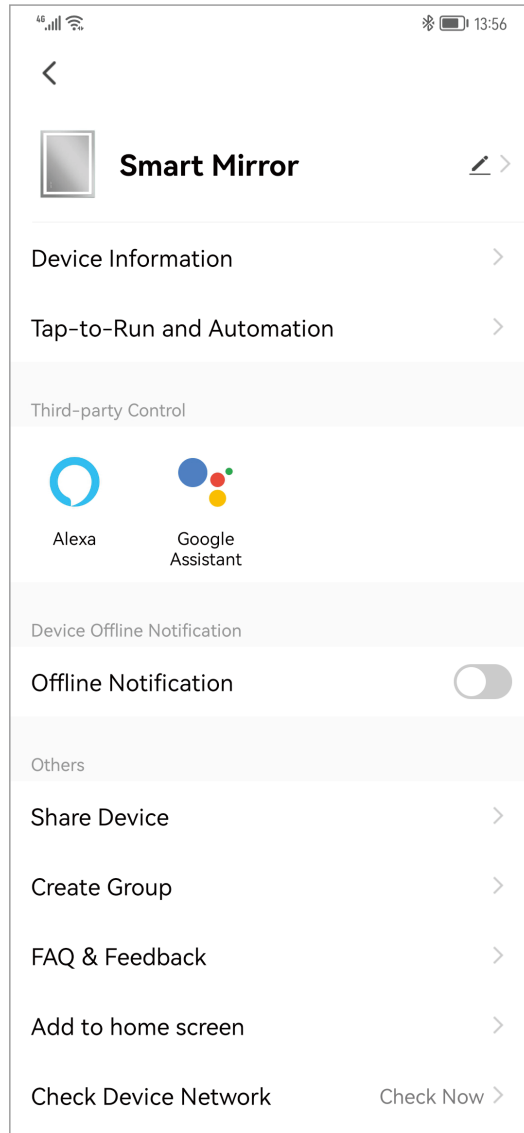
3. Swipe the progress bar to adjust the color temperature from 3000K to 5500K, and adjust the brightness from 1% to 100%.



Discover Smart Life

Use the Smart Life to pair your smart mirror with Amazon Alexa and Google Home Assistant and enjoy a full hands-free experience.

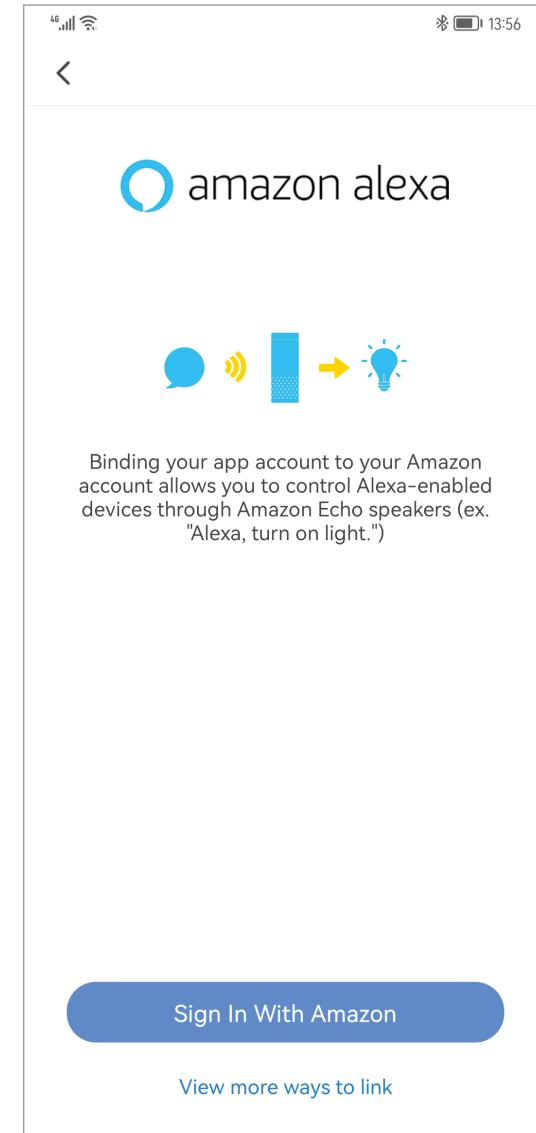
1. After you succeed in connecting mirror with Smart Life, enter the "Me"Page to find the "Third Party Voice Services"area.



2. Pair Smart Life with Smart Device Account.

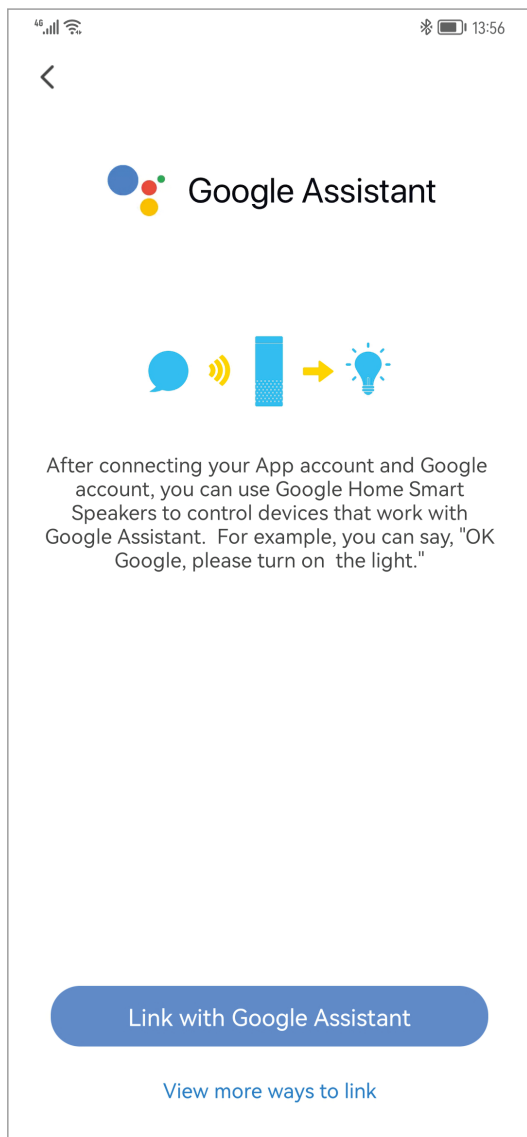
2.1.Pair Smart Life with Alexa

Press Alexa button and sign in with your Amazon account.(Please use the same Amazon account with your Alexa)



b. Pair Smart life with Google Assistant

Press Google button and sign in with your Google account.(Please use the same Google account with your Google Assistant)



Control Your Smart Mirror by Voice

After the above operation is successful, you can control the mirror via Amazon Alexa and Google Home Assistant.

Note: The name of the device must be consistent with the addition of Smart Life app.

1. Control by Amazon Alexa

1.1 Discover Devices

Firstly, you need to say to the Alexa: Alexa, discover my devices. Alexa will start to find the device which is added in Smart Life app. It will take about 20 seconds, then Alexa will tell you the result. You can also click "Discover devices" in Alexa app, then it will show the devices that have been found successfully.

1.2 Control Devices by Voice

You can control the devices by instructions, like these:

- Alexa, turn on/off smart mirror.
- Alexa, turn on/off mirror heater.
- Alexa, brighten/dim smart mirror.
- Alexa, set mirror to 50 percent.
- Alexa, set mirror to warm white.

.....

2. Control by Google Home Assistant

Firstly, you need to say "Hey Google, talk to Smart Life" to wake up the Smart Life, and then you can control the devices by instructions, like these:

- Hey Google, turn on/off smart mirror;
- Hey Google, turn on/off mirror heater;
- Hey Google, set mirror to 60 percent;
- Hey Google, brighten/dim smart mirror;
- Hey Google, set mirror to cool white.

.....

