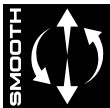


KOPFJÄGER

REAPER RAIL PICATINNY/ARCA SWISS



HEAVY DUTY
CONSTRUCTION



SMOOTH
PAN / TILT



USER FRIENDLY
OFFSET GRIP



PRECISE
LONG RANGE
PRECISION



DIRECT PICATINNY
MOUNT



DIRECT ARCA SWISS
MOUNT

USER MANUAL

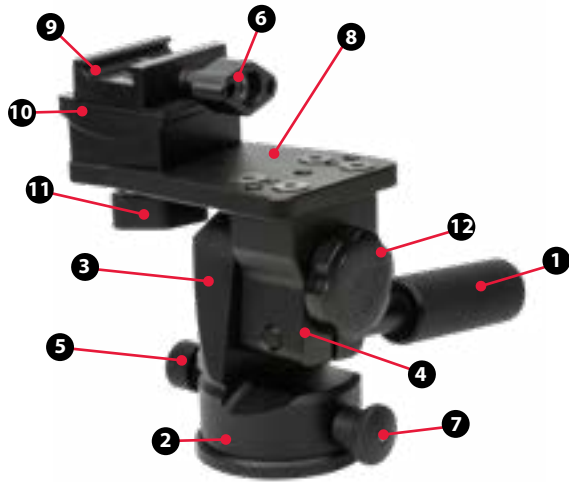
KJ86002 - KJ86003

KOPFJÄGER REAPER RAIL USER MANUAL

Thank you for choosing Kopfjäger, the world's best, most versatile tripod-mounted gun rest systems. Every ounce of product knowledge you need to become a Kopfjäger Reaper Rail expert is contained in these few pages—the rest is just trigger time. Welcome to our ranks.

DIAGRAM

1. Control Arm
2. Mounting Base
3. Hinge Block
4. Saddle Clamp
5. Drag Adjustment Knob
6. Rail Adjustment Knob
7. Locking Pin
8. Direct Mount Plate
9. Rail Clamp
10. Cant Swivel
11. Cant Adjustment Knob
12. Dowel Pin Cover (only remove to clean)



ASSEMBLY

Your Reaper Rail comes in a slightly disassembled form. To assemble, simply screw the control arm into the saddle clamp. The control arm is reverse threaded. Do not overtighten. Locking the Reaper Rail into position takes minimal torque. Overtightening the control arm may damage your Reaper Rail. Your Reaper Rail is now assembled and ready to attach to a tripod or other mounting fixture like the Kopfjäger Ambush. Your Reaper Rail is equipped with a 3/8"-16 threaded hole on the underside of the mounting base. If your tripod or mounting fixture requires 1/4"-20 threading, your Reaper Rail includes an adapter. Once you ensure your thread patterns match, you are ready to mount the Reaper Rail.

ATTACHING TO TRIPOD OR OTHER MOUNTING FIXTURES

When in the locked position, the locking pin prevents rotation of the base when attaching or removing the Reaper Rail from a tripod or other mounting fixture. To mount the Reaper Rail to the tripod, you first need to ensure the locking pin is engaged and in the locked position. To do this, rotate the hinge block while holding onto the base plate. You should hear an audible click when the locking pin engages in one of the four stops. These stops are located in 90-degree increments. You should now be able to independently twist the base plate from the hinge block. After locking the base plate, you can now tighten the Reaper Rail to the tripod. Once you have firmly mounted the Reaper Rail to the tripod, disengage the locking pin by pulling the knob out and slightly rotating it in either direction.



DRAG ADJUSTMENT (PANNING)

Opposite the locking pin, you will find the Drag Adjustment Knob. The Reaper Rail is designed to enhance engagements with stationary targets as well as tracking moving targets. As such, the horizontal pan was not designed to completely lock down. The drag adjustment knob is constructed of a nylon tip to create a smooth horizontal pan that can increase or decrease the resistance of the horizontal motion. Do not overtighten the drag knob. By doing so, it could damage your Reaper Rail.

REVERSE HANDING FOR LEFT HANDED SHOOTERS

The Reaper Rail is shipped in a right-handed shooter orientation. For left-handed shooters, simply remove the 4 allen screws from the grip's control handle assembly by using a 5/32" allen wrench. Next remove the 4 screws that secure the Rail Clamp to the Direct Mount Plate. Flip the mount plate upside down and transfer it to the left side of the Saddle Clamp and reinstall the screws and allen screws.



SECURING A STOCK OR CHASSIS IN THE RAIL

To secure a stock or chassis in the Reaper Rail, set the firearm's Arca Swiss or Picatinny rail section into the rail clamp and tighten the tension knob located on the side of the clamp until the firearm is secure.

CANT ADJUSTMENT

The Reaper Rail includes cant adjustment. In long-range shooting cant affects point-of-impact (POI); in fact, more extreme angles of cant, as well as longer distance shooting, especially extreme distances, produces significant POI shift—just 1° of cant may result in a 6" POI shift at 1,000 yards. For this reason, the Reaper Rail includes 22° of cant adjustment (11° in each direction). For proper cant adjustment, you should have a cant indicator (most often a bubble level attachment) correctly attached to your stock, optic mount or the optic itself.

To adjust cant, loosen the cant adjustment knob. Rotate your firearm clockwise (right) or counterclockwise (left) on the cant swivel until your cant indicator bubble is centered. Holding the rifle steady, tighten the cant adjustment knob. Check for cant again and adjust if necessary. You may also choose to shoot with the cant adjustment knob slightly loosened to allow for on-the-fly cant adjustments.

WARNING

Before handling the Reaper Rail, read and understand the contents of your Tripod's manual, and the Kopfjäger Reaper Rail manual. Follow all standard safety precautions and procedures during use.



WARNING - CONTINUED

- Never leave a loaded firearm in the rest without having positive physical control over the shooting system.
- Do not exceed the tripod's maximum load capacity.
- Ensure the Reaper Rail is fastened.
- Always remove camera, spotting scopes and other accessories during setup or transport.
- Please use standard lubricant or grease when necessary.

MAINTENANCE

To clean the Reaper Rail's stainless steel dowel pin, use a 5/32" Allen wrench to remove the four Allen-head screws located at the top of the direct mount plate that secures the plate to the top of the saddle clamp. Next, remove the dowel pin cover and loosen or remove the control arm. Pull the saddle clamp (away from the hinge block) off of the dowel pin. Wipe away debris from the dowel pin. Re-install the saddle clamp on the dowel pin. Re-install the dowel pin cover. Re-install the control arm. Re-attach the direct mount plate to the top of the saddle clamp.

- Do not use lubricants or grease on the stainless steel dowel pin
- Use standard lubricant or grease on the control arm threads as necessary

Please visit www.kjrests.com for warranty details and information

SPECIFICATION: PICATINNY

GENERAL DESCRIPTION	
Brand Name	Kopfjäger
Model Name	Reaper Rail System - Picatinny
Category Name	Shooting Rests
SKU Number	KJ86002
UPC Number	812495026126
TECHNICAL SPECIFICATIONS	
Dimensions, in/mm	6 x 5.5 x 6.5 / 152 x 139 x 165
Material	Aluminum
Rail Tilt	+/- 11°
Pan rotation angle	360°
Vertical Rotation Angle	87° Down , 21° Up
Mounting	3/8" - 16 Threaded Hole
Weight, lbs/g	1.97 / 892
INCLUDED ACCESSORIES	
	Camera Thread Adapter
FEATURES	
	Smooth Pan/Tilt
	Mounts Directly to Picatinny Rail
	Locking Cant Adjustment
	Assembled in the USA

SPECIFICATION: ACRA SWISS

GENERAL DESCRIPTION	
Brand Name	Kopfjäger
Model Name	Reaper Rail System - Arca Swiss
Category Name	Shooting Rests
SKU Number	KJ86003
UPC Number	812495026133
TECHNICAL SPECIFICATIONS	
Dimensions, in/mm	6 x 5.5 x 6.5 / 152 x 139 x 165
Material	Aluminum
Rail Tilt	+/- 11°
Pan rotation angle	360°
Vertical Rotation Angle	87° Down , 21° Up
Mounting	3/8" - 16 Threaded Hole
Weight, lbs/g	1.99 / 904
INCLUDED ACCESSORIES	
	Camera Thread Adapter
FEATURES	
	Smooth Pan/Tilt
	Mounts Directly to Arca Swiss Rail
	Locking Cant Adjustment
	Assembled in the USA