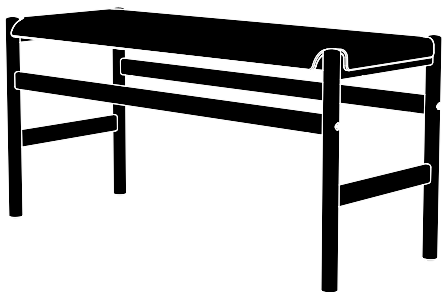


# TAKT™



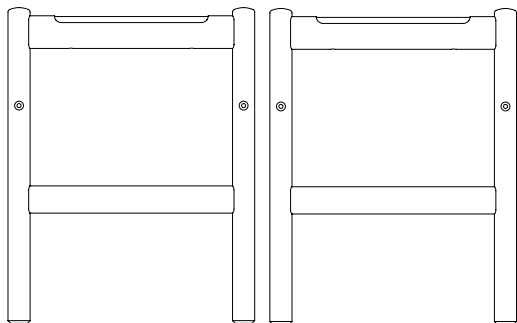
## T05 Soft Bench

**Building Instructions**

### Important Notice

Only use the listed tools.  
Do **not** use power tools.  
Tighten in accordance with the building instructions.  
Avoid over-tightening.  
There is no need for strong force.

2x base components



12x wood dowels



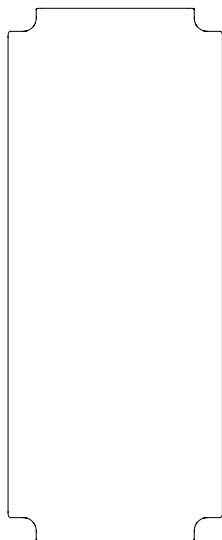
8x screws (80mm)



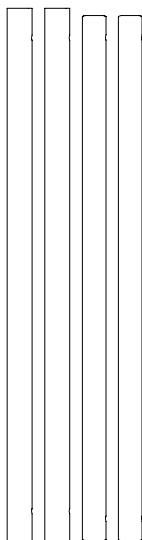
8x metal collars



1x seat



4x stretchers



8x metal-cross dowels



4x screws (45mm)



1x Allen key



Flat-head screwdriver  
(not provided)



## Product Information

'T05 Soft Bench' is a bench designed for indoor use in private homes. The bench is made for use by two persons and can withstand a weight of 260 kg according to EN-16139.

### Weight

6 kg

### Materials

Seat: Molded plywood

Frame: Solid wood

Surface treatment: Water based lacquer

Fittings: Steel

### Tests & Declarations

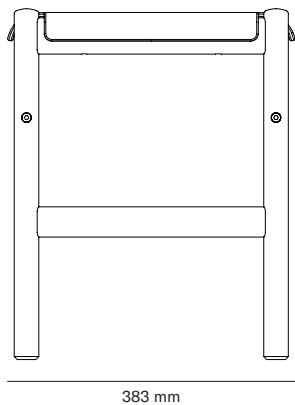
The bench has passed the furniture test EN-16139.

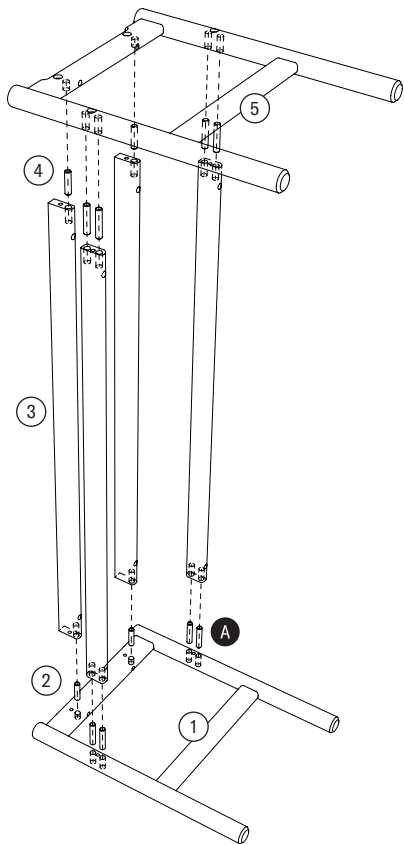
The bench is not treated with or containing disinfective biocides.



The mark of  
responsible forestry

## Dimensions



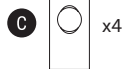
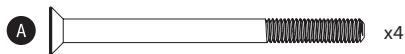
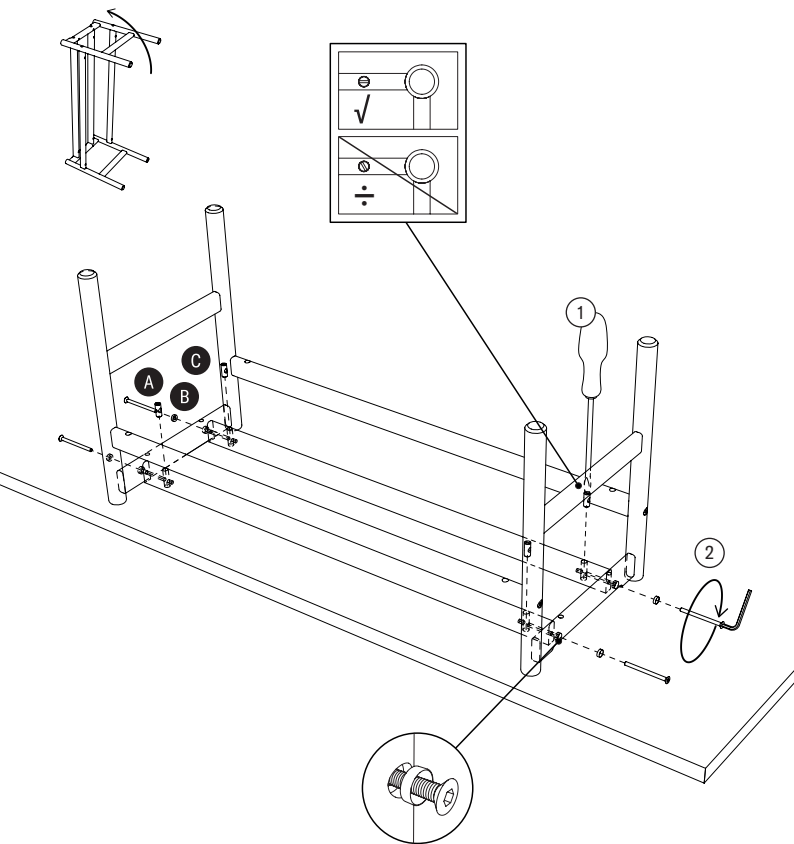


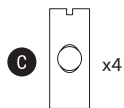
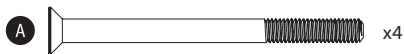
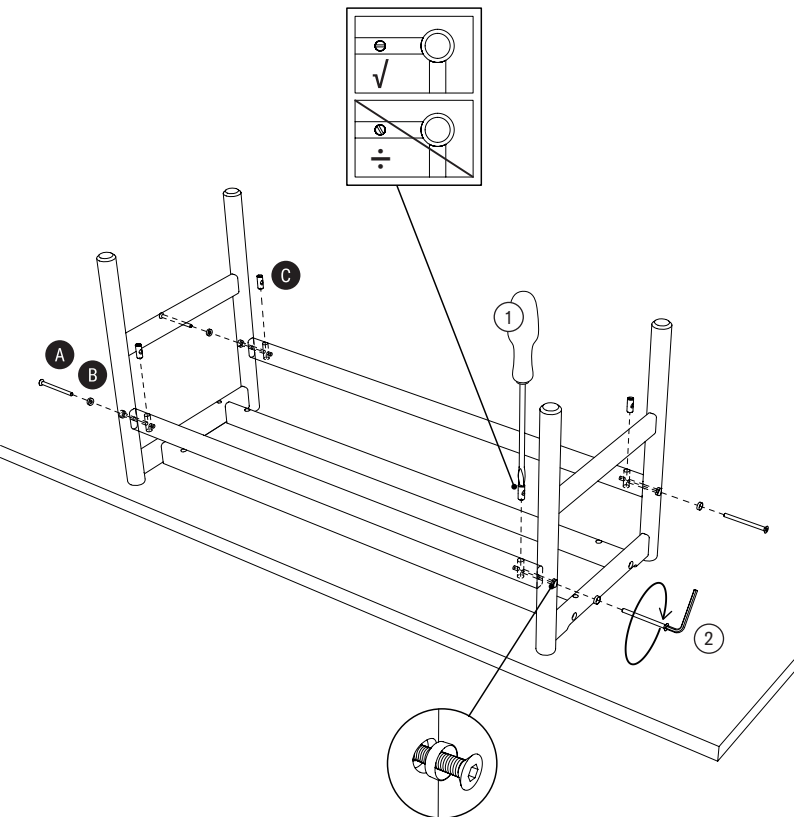
6

A

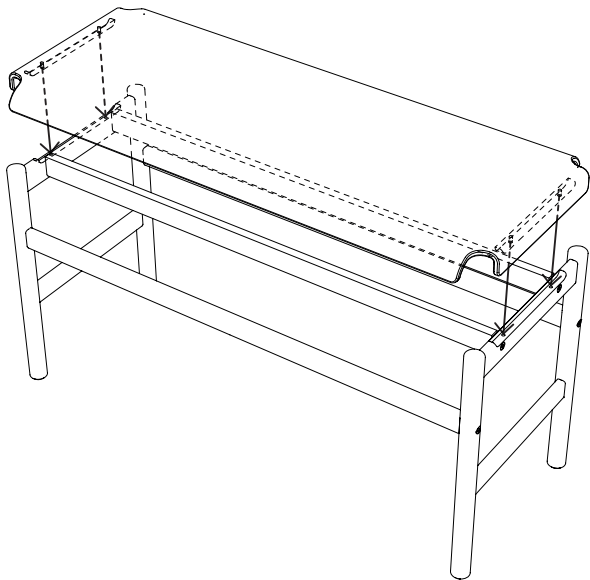
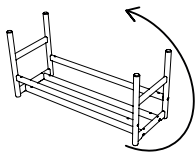


x12

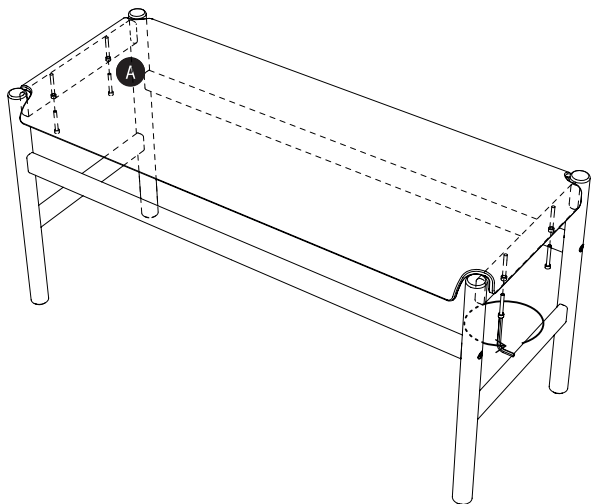






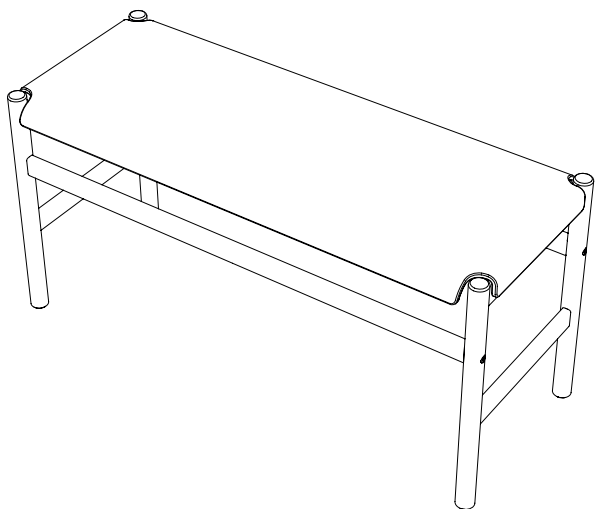


Place the seat onto the base



10





Enjoy your new bench

## **Additional Information**

TAKT provides an extended warranty of 5 years on 'T05 Soft Bench'.

### **Warranty**

TAKT provides an extended warranty of 5 years on 'T05 Soft Bench'. The warranty covers breakage of components and damage occurred because of deficient craftsmanship under normal use.

The warranty shall lapse if the product shows signs of inappropriate use or other physical damage. The warranty does not cover wear or damage to upholstery, wheels, surfaces and the like.

### **Spare Parts**

TAKT offers spare parts for 'T05 Soft Bench'. Spare parts are available from TAKT without charge for a period of 5 years from the date of purchase if the parts are found to be faulty during normal use. If the parts are damaged by misuse spare parts can be bought from TAKT.

TAKT always strives to deliver spare parts to you in the fastest and most efficient way in order for your furniture to return to a functional condition.

Please contact TAKT for inquiries regarding spare parts.

### **Recycling & Disassembly**

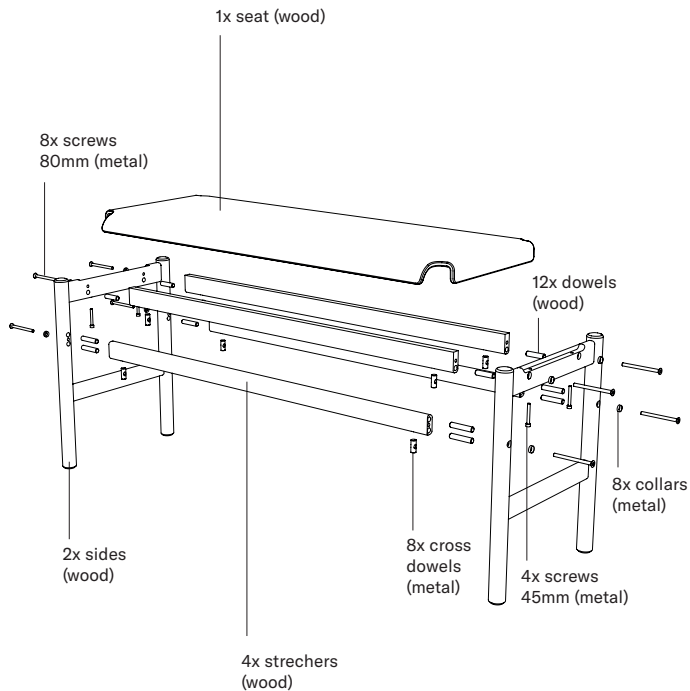
We hope that your TAKT product will serve you well for many, many years.

If you at one point want to recycle it, please separate it into components for sorting.

Untighten screws by turning the Allen key counter clockwise to separate the different parts.

Metal parts can be delivered to a suitable recycling facility and be recycled.

Wooden parts can be delivered to a suitable recycling facility and be recycled or used for energy recovery through incineration.



# **TAKT**<sup>TM</sup>

---

[taktph.com](http://taktph.com)