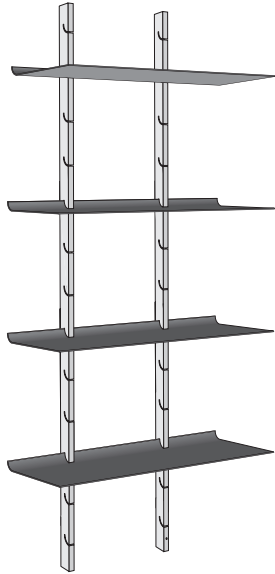


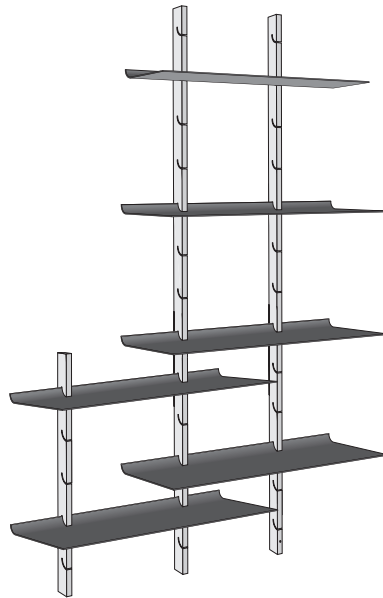
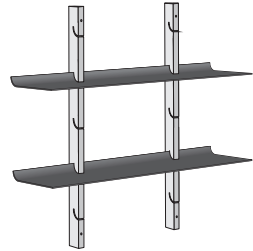
Design by Tools®
Claus Jensen & Henrik Holbæk

eva solo

Smile shelving - large

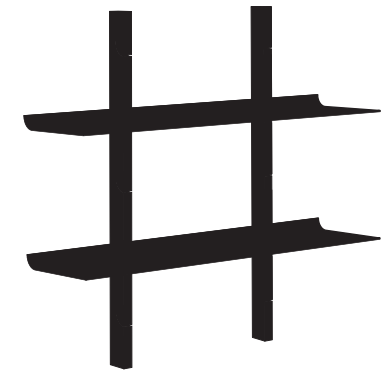
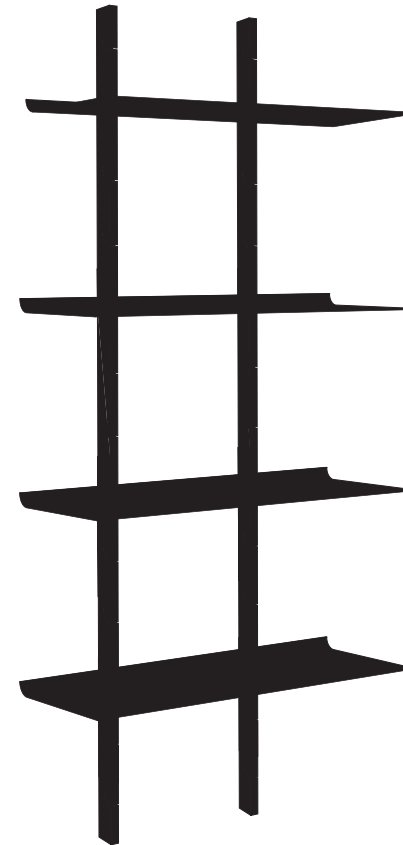


Smile shelving - small



Smile shelving - combi

Notice:
When combining large and small shelf supports, please align the cut-outs of each shelf support horizontally (not the screw holes) in order to make sure the shelves are level.



eva solo

www.evasolo.com

Smile shelving system

Mounting the shelf supports

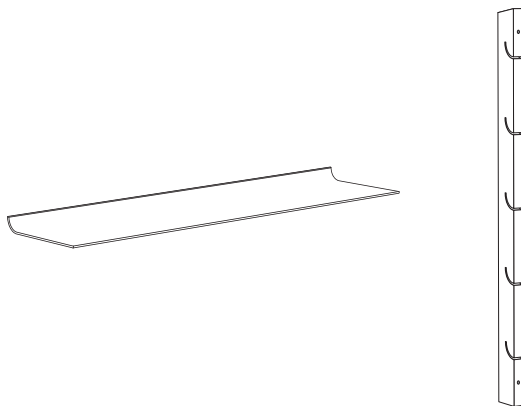
Place one of the shelf supports vertically against the wall in its intended position. With a sharp pencil, mark the position of the top hole on the wall, remove the support and drill a hole. Insert a wall plug. Place the shelf support on the wall in the same place and screw a screw into the upper hole. Then use a spirit level to ensure that the next screw holes are completely vertical in relation to the first. Once the first screw has been screwed into the wall (do not tighten completely), the shelf support can be moved to one side slightly in order to drill the other holes. In this way, you can ensure that the side support is completely vertical.

Use the packaging with the two black dots on the side to ensure that the distance between the two side supports is correct. Place the box horizontally above the first side support with one black dot right above the screw hole. The second side support can now be held vertically up against the wall with the top screw hole under the other black dot. Use a spirit level to ensure that both side supports are completely aligned relative to one another, otherwise it will be impossible to slide the shelves in. Mark and drill the remaining holes. The screws should only be screwed in lightly to begin with, and then tightened once both side supports are in place.

Installing the shelves

Start by inserting the shelves from the bottom. Place the back edge of the first shelf against the cut-out in each side support, so that the underside of the shelf faces outwards. Then slide the shelf into position so that it sits securely. Then insert the next shelf. We recommend inserting a maximum of six shelves in the large side supports and a maximum of three shelves in the short side supports.

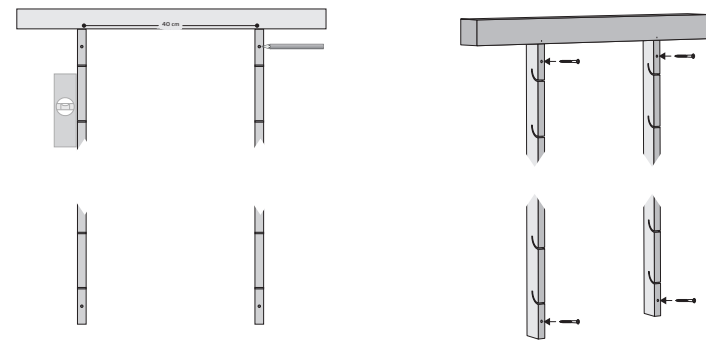
Max weight: Large shelves max. 30 kg, small shelves max. 20 kg.
Screws (but not wall plugs) included.



Eva Solo A/S

Måløv Teknikerby 18-20
2760 Måløv
Denmark
Tel.: +45 36 73 20 60
www.evasolo.com

Mounting the shelf supports



Installing the shelves

