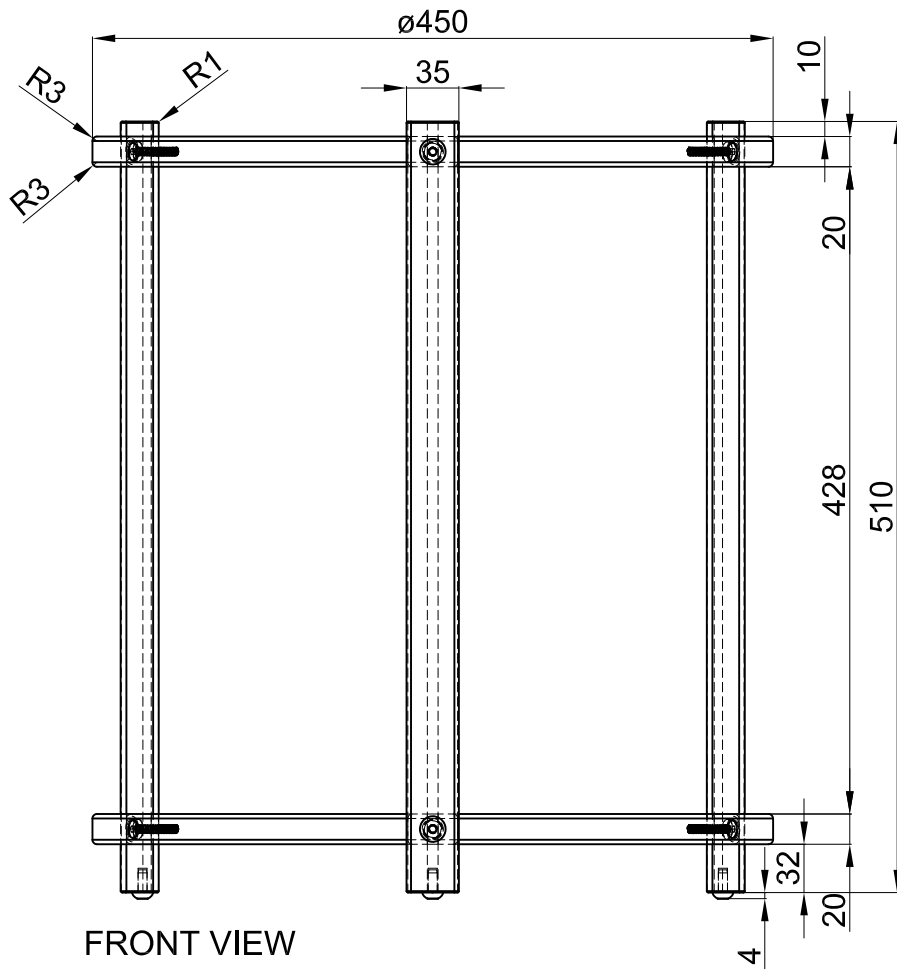
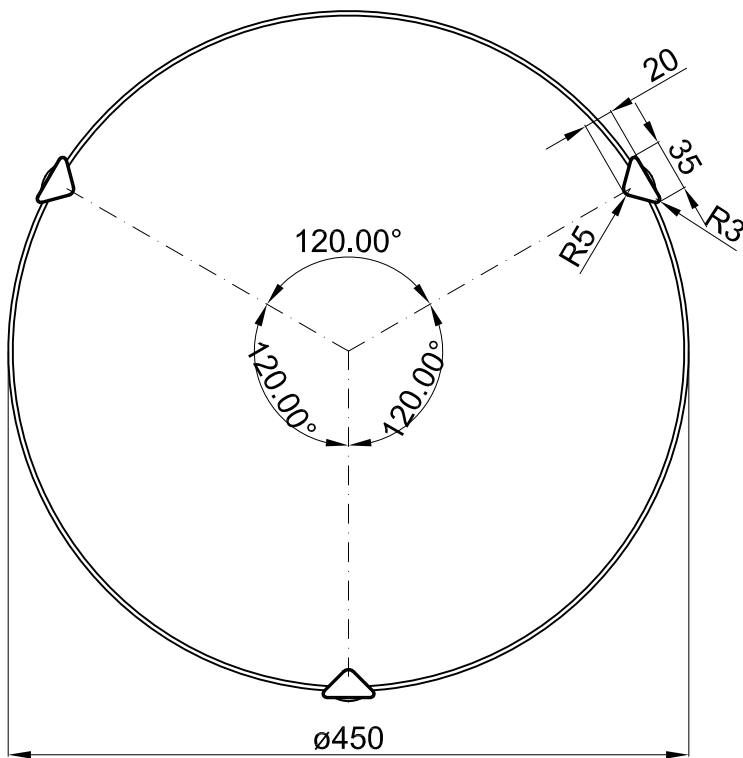


SIPA

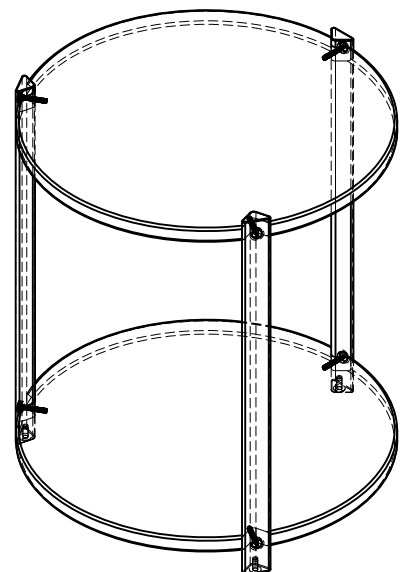
Model: _____



FRONT VIEW



TOP VIEW



SCALE 1:5