

# Care Instructions

Lap Low Shelving – designed by Marina Bautier

To prolong the life of the product and retain its appearance and functionality, we would like to give you some relevant information and care advice:-

This system is manufactured using solid oak frames and powder coated steel

The steel components use a tough powdercoat which can be cleaned using a sponge / soft bristle brush with a cleaning solution of mild liquid soap and lukewarm water.

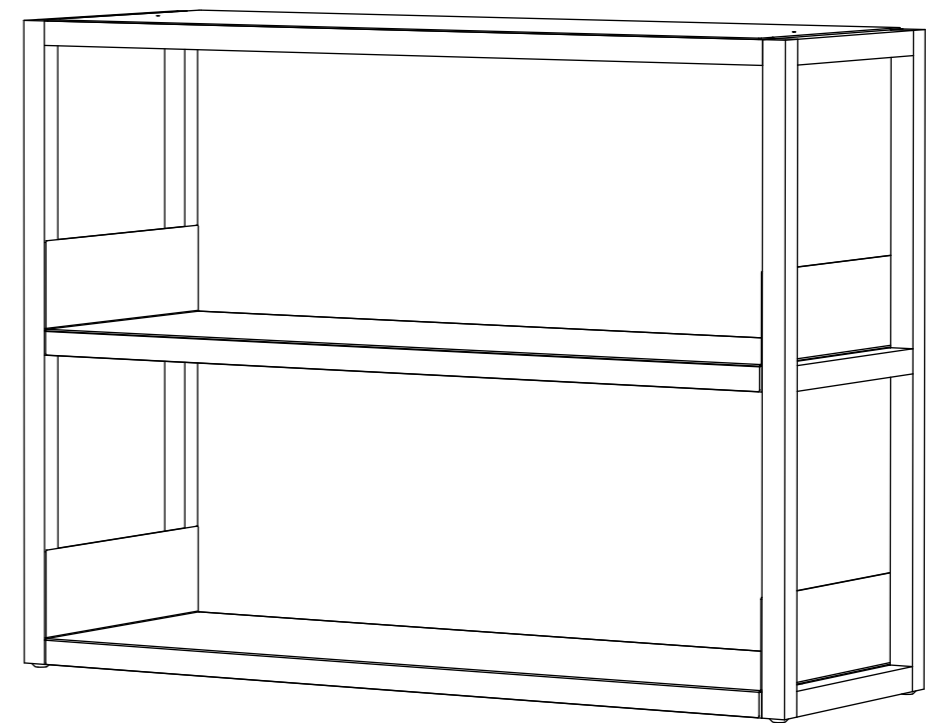
The use of abrasive cleaners or solvents should be avoided when cleaning the unit. Please only use proprietary furniture polishes or warm water with diluted detergent

European craftsmen manufacture this product and there is variety between each unit. Wood is a natural product so colour and grain variations are inevitable.

We thank you for purchasing this product and wish you many years of enjoyable and functional use.

For more related products please visit: [casefurniture.com](http://casefurniture.com)

# Lap Low Shelving

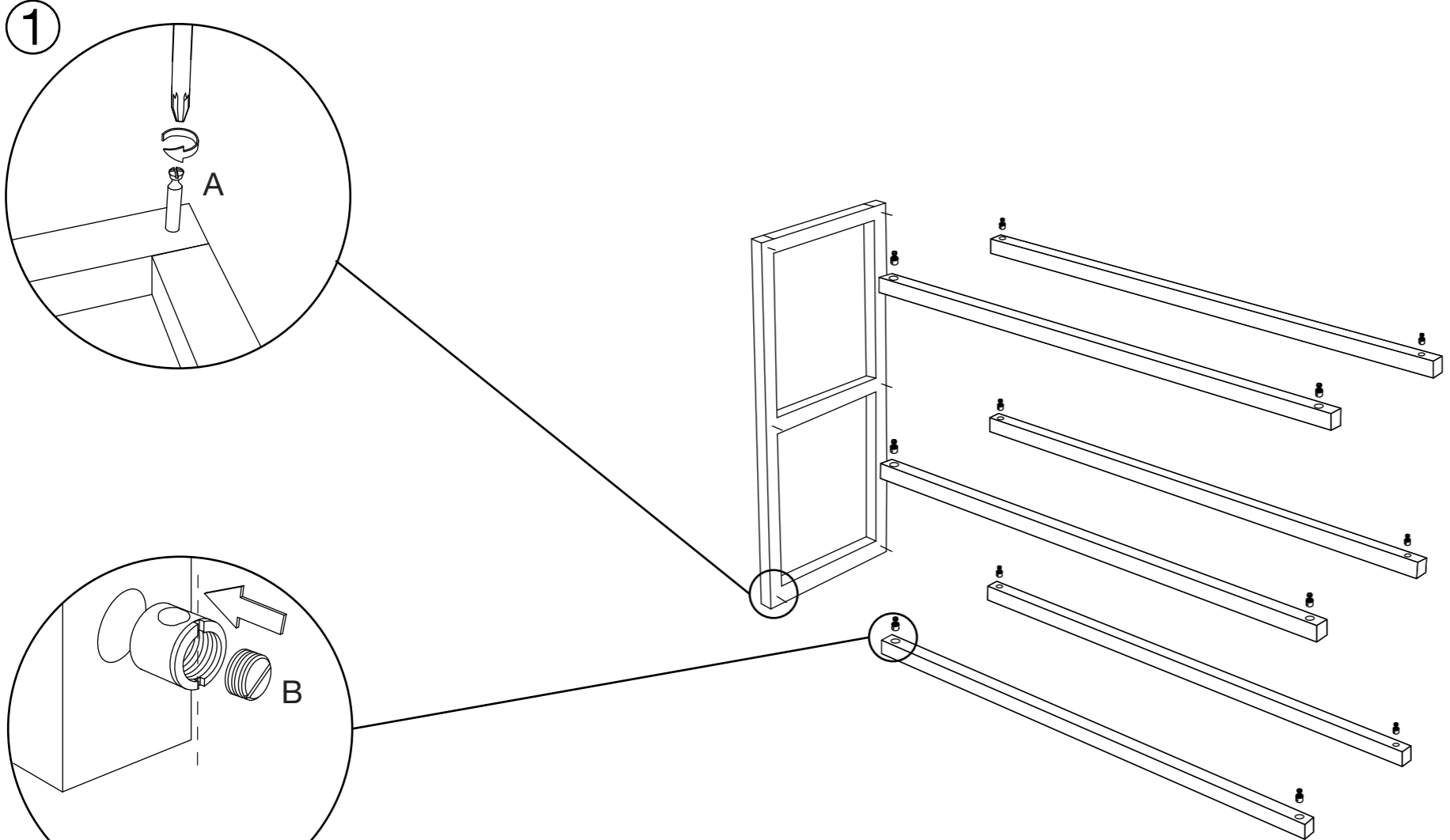


**case**

Case Furniture Ltd  
London, SW18 2HZ  
United Kingdom  
[info@casefurniture.com](mailto:info@casefurniture.com)  
[casefurniture.com](http://casefurniture.com)

**case**

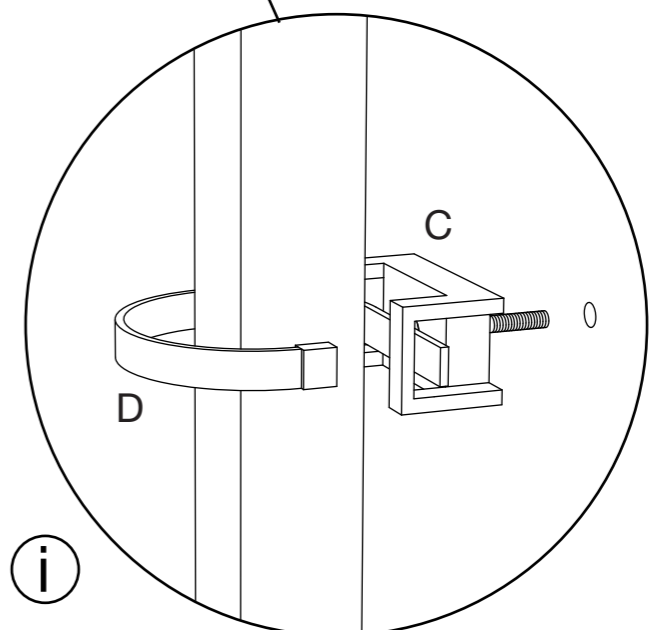
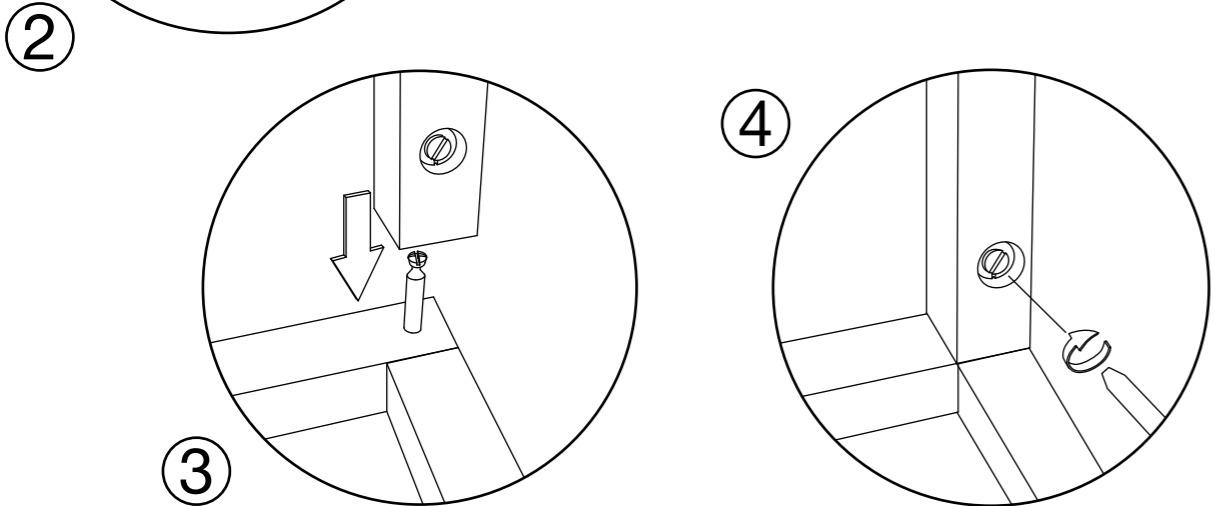
# Assembly Instructions



1. Screw threaded pins (A) into all holes in uprights
2. Insert the connecting fittings (B) into the rails ensuring the clearance holes are aligned.
3. Lay one upright flat and attach all rails to the upright ensuring all are square and flush
4. Fully tighten fittings (B)
5. Attach second upright. If adding multiple runs, attach extension upright(s) and crossbars before hand.
6. Fully tighten fittings (B)
7. With assistance, turn frame onto its feet.
8. Insert sheet metal components in desired configuration.

**Warning:** Serious or fatal crushing injuries can occur from furniture tipping over. Always secure furniture to the wall using furniture anchors.

i. The anchor brackets should be fixed to the wall towards the top of the unit on both sides. Use the correct screws and wall plugs for your wall. The zip ties can then be fed through the brackets, around the upright and secured.



Provided				Required	
A x12	B x12	C x2	D x2		