

Care Instructions

Dulwich Extending Table

Dulwich Extending Table – designed by Matthew Hilton

To prolong the life of the product and retain its appearance and functionality, we would like to give you some relevant information and care advice:-

This unit is manufactured with either oak, black stained oak or walnut.

Craftsmen manufacture this product and there is variety between each unit. This is because wood is a natural product, with natural colour and grain variations.

Natural timber is affected by sunlight; this can cause the wood colour to darken. For this reason (especially if placed in direct sunlight) it is recommended that placing objects in the same position for long periods of time is avoided. This potential colour adjustment becomes less relevant as the product ages.

Note that if the extension leaf is stored inside the table for long periods without exposure to light, the natural richening of the wood will be limited. This will cause the leaf to appear lighter than the rest of the table until it has been exposed to a similar level of sunlight.

It is recommended that no abrasive cleaners or solvents are used to clean the unit. Please only use proprietary furniture polishes or alternatively, warm water with a diluted mild detergent.

We thank you for purchasing this product and wish you many years of enjoyable and functional use.

For more related products please visit: casefurniture.com

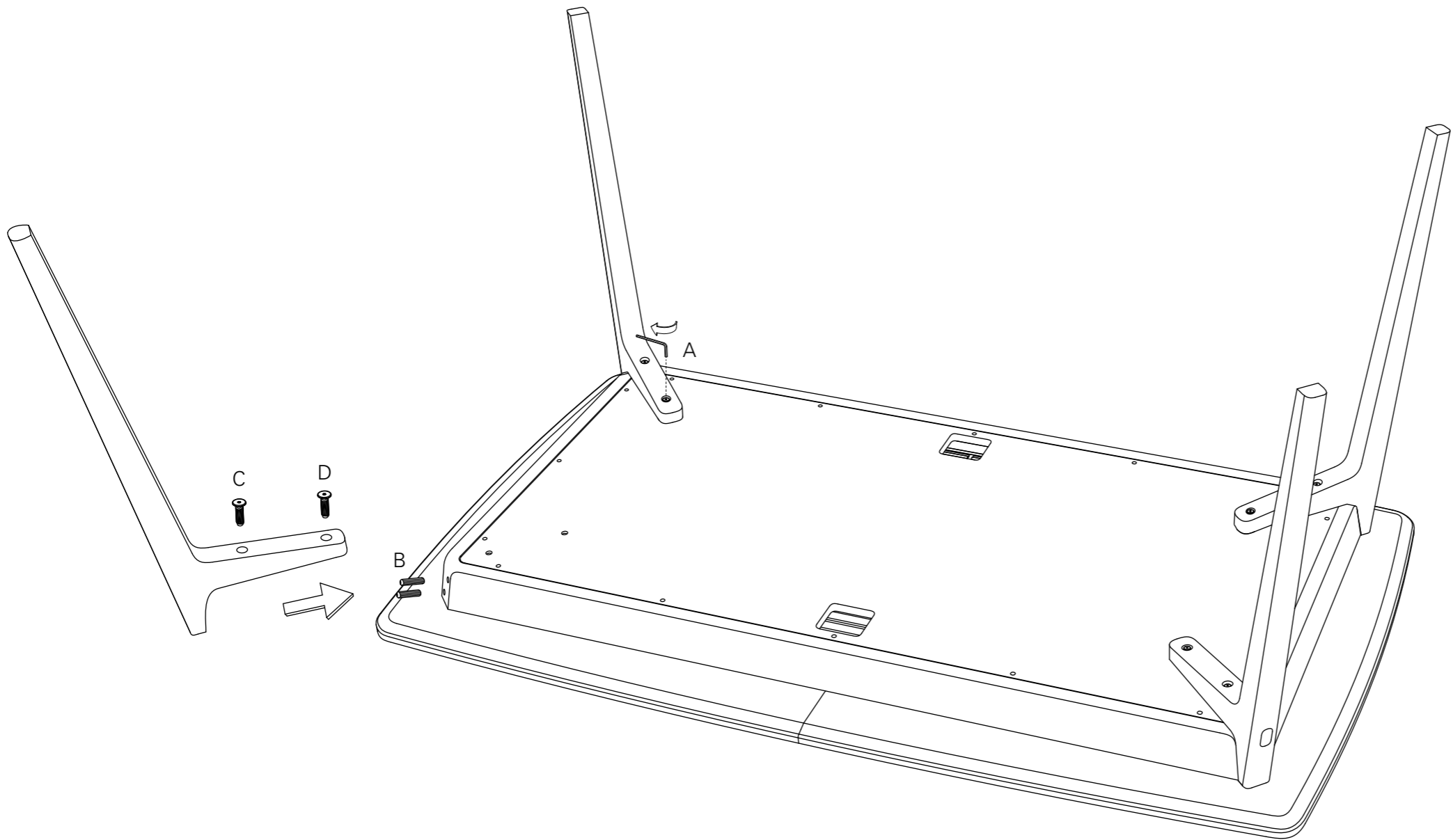


case

Case Furniture Ltd
London, SW18 2HZ
United Kingdom
info@casefurniture.com
casefurniture.com

case

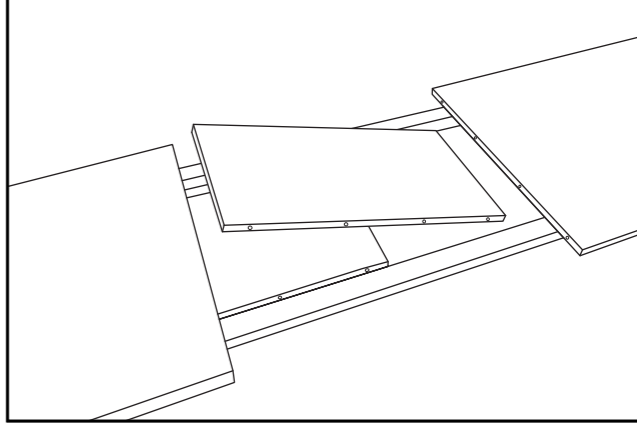
Assembly Instructions




1. Unpack all components and allow ample room for assembly and turning.
 2. Insert dowels (B) to the corners of the subframe.
 3. Push legs into the corners ensuring all dowels locate and insert fully.
 4. Fasten all legs to the underframe using long bolts (C) and short bolts (D) and allen key (A).
- FULLY TIGHTEN.
5. Turn the table onto its feet taking care not to lever on the legs
 6. Once the legs and crossbar are tightly fastened, the table can be turned onto its feet.


NOTE: THE TABLE IS EXTREMELY HEAVY.
TAKE EXTRA CARE WHEN TURNING.

To extend the table and store the leaves, release the locking-tabs which can be accessed via holes in each side of the underframe.
Pull tabs down to lock the top in place.

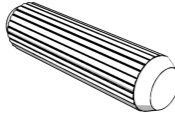





A x 1



B x 8



C x 4



D x 4