

COMMERCIALPRO SERIES

city  ARCH

# LSBX

PLYMOUTH  
150W | 300W  
LED AREA LIGHT

COMMERCIAL GRADE



## PRODUCT OVERVIEW

The cityARCH Plymouth area light shoebox luminaire is constructed of die-cast aluminum housing, optimized for protection against moisture and environmental contaminants and engineered for efficient product maintenance.

With multiple mounting options and an industry leading 5-Year, 50,000hr warranty, the LSBX-series is ideal for outdoor area lighting.



150W



300W

**PROJECT DETAILS**

Project Name	
Fixture Schedule	
Product Number	
Notes	

**KEY FEATURES**

- LOW PROFILE, RUGGED ONE-PIECE DIE CAST ALUMINUM HOUSING
- 3G VIBRATION RATED COMPACT DESIGN MINIMIZES WIND LOAD REQUIREMENTS
- 100,000HR LED LIFESPAN BASED ON IES LM-80 AND TM-21 CALCULATIONS
- DARK SKY CONFORMING OPTICS AVAILABLE IN IES TYPE III, IV, OR V
- SCALABLE LUMEN PACKAGES, REPLACING UP TO 1000W MH
- OPTIONAL PHOTOCELL AND OCCUPANCY SENSORS AVAILABLE

**KEY SPECIFICATIONS**

- **Housing:** Thermally Conductive Rugged One-Piece Die Cast Aluminum
- **Operating Temp:** -40°F – 115°F
- **Input Voltage:** 120-277Vac
- **IP:** UL Wet Location Listed
- **Pf:** >0.9 Non-Flicker
- **Efficacy:** >125LM/W
- **Dimming:** 1-10V
- **THD:** <20%
- **CRI:** >70

**MODEL SPECIFICATIONS**

Model	Watt	Lumens	Voltage	CCT	LPW	Replaces
LSBX150	150W	19,000LM	100-277V	4000K 5000K	126LM/W	400W MH
LSBX300	300W	38,200LM			125LM/W	1000W MH

**ORDERING GUIDE**

Model Series	Watt (W)	CCT (K)	Voltage (V)	Mount
<b>LSBX</b>   LED Shoebox	<b>150</b>   150W <b>300</b>   300W	<b>40</b>   4000K <b>50</b>   5000K	<b>1</b>   120-277V <b>H</b>   200-480V	<b>Blank</b>   None * <b>A</b>   Slip-Fitter <b>B</b>   Square/Round-Pole

\* Default option

Choose Your Model Specifications Above:

<b>LSBX</b>	<b>150</b>	<b>50</b>	<b>H</b>	<b>Blank</b>
-------------	------------	-----------	----------	--------------

**Example Ordering Number: LSBX150-50-1 (H)**
**APPLICATIONS**


Parking Lots



Facade Lighting



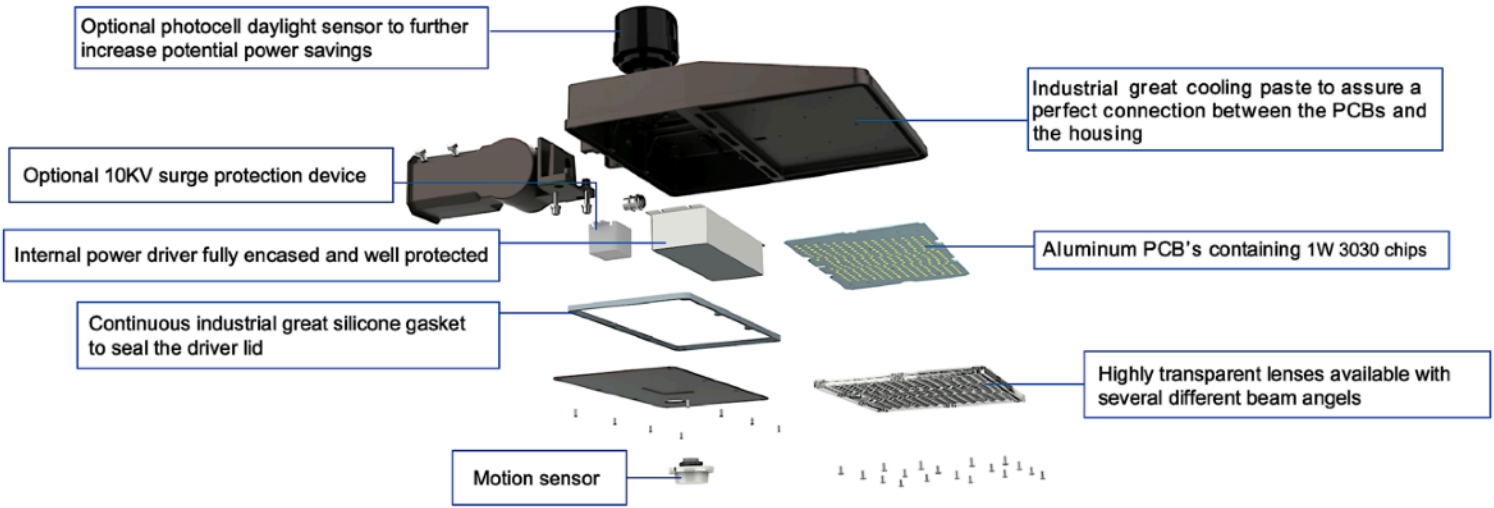
Roadways



General Public

**CERTIFICATIONS**


### PHYSICAL FEATURES



### MOUNTING OPTIONS

- Standard versatile mounting arm accommodates multiple drilling patterns as well as square and round poles
- Optional for cast aluminum slip-fitter mounting adapter Compatible with mounting adaptors such as Tenon, suits for various application
- Wall Mount available for direct wall mounting and J-box mounting

#### SLIP-FITTER



An optional cast aluminum mast arm adapter secures fixture head to nominal 2"(2-3/8"O.D. pipe size) horizontal steel tenon arm.

#### POLE MOUNT



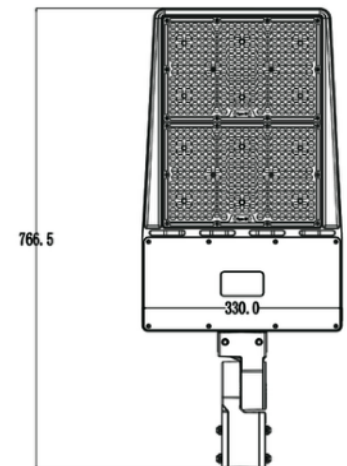
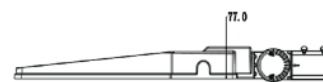
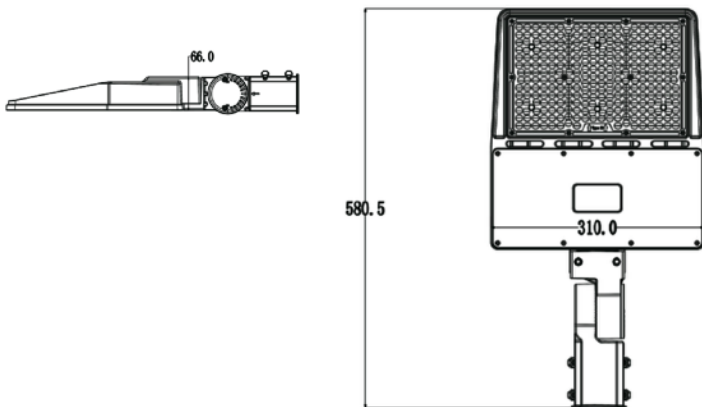
4" and 5" Square & Round Poles

Standard versatile mounting arm is simple to install and can be used with existing poles for retrofit installations.

### SIZING & MEASUREMENTS

Model
150W

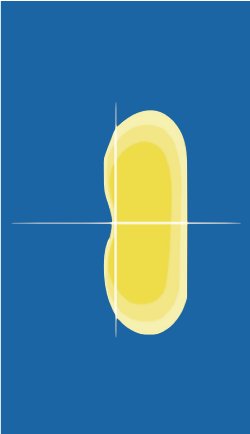
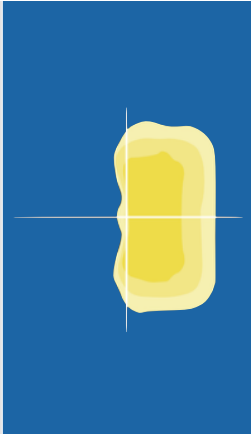
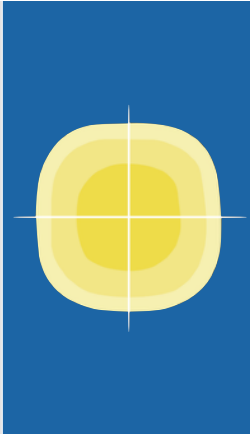
Model
300W



## PHYSICAL FEATURES

Heavy Duty Construction	<ul style="list-style-type: none"> <li>Engineered with heavy-duty cast aluminum housing that is completely sealed against moisture and environmental contaminants.</li> <li>Features a single-latch removable door for quick-access to driver components</li> <li>3G vibration rated for harsh environmental applications</li> </ul>
Advanced Optics	<ul style="list-style-type: none"> <li>Outstanding versatility in Type-III, IV, and V IES distributions</li> <li>Optics conforms to dark sky requirements and maximizes efficiency and installation spacing</li> </ul>
Robust Electronics	<ul style="list-style-type: none"> <li>The driver is rack-mounted to the aluminum housing for optimal heat sinking</li> <li>The driver is rack-mounted to the aluminum housing for optimal heat sinking</li> <li>1-10V dimming is standard with optional 10kV/10kA common-/differential-mode surge protection</li> <li>Meets DLC Premium certification requirements</li> </ul>
Lifespan	<ul style="list-style-type: none"> <li>100,000hr LED Lifespan Based on IES LM-80 and TM-21 Calculations</li> <li>Industry leading 10-Year, 100,000hr warranty</li> </ul>

## PHOTOMETRICS

<p><b>Type III</b></p> <p>Type III optics produces an asymmetrical pattern that directs the majority of the light forward and equally on both sides of the luminaire. In a back-to-back configuration, it creates a rectangular pattern which can extend pole spacings.</p> 	<p><b>Type IV</b></p> <p>Type IV is suitable for applications where light is primarily required to forward with minimal backlight. Typical installations include perimeter poles</p> 	<p><b>Type V</b></p> <p>Type V optics produce a symmetrical square distribution pattern that distributes light equally on all sides of the luminaire. Type V luminaires provides utility for most area lighting applications.</p> 
--	--	--

## DLC MODEL GUIDE

Product ID	Model No.	DLC	Watt	Lumen	Efficacy	THD	PF	CCT	CRI	Voltage
<b>150W</b>										
PLLXVCVWNWE	LSBX150-41-1	Premium	150	18794	130	7	0.9	4100	70	120 - 277Vac
PLA1LX0LJQVC	LSBX150-50-1	Premium	150	19164	128	15	0.9	5000	70	120 - 277Vac
<b>300W</b>										
PLRZ3YIBF49N	LSBX300-41-1	Premium	300	38204	124	9	0.9	4100	70	120 - 277Vac
PL26IQIDVE8A	LSBX300-50-1	Premium	300	38282	125	15	0.9	5000	70	120 - 277Vac

Link: [https://www.designlights.org/search/?search=LSBX\\*](https://www.designlights.org/search/?search=LSBX*)

## INSTALLATION GUIDE

### PLEASE READ ALL INSTRUCTIONS BEFORE ATTEMPTING INSTALLATION

- To prevent personal injury or product damage only licensed electricians should install.
- To avoid electric shock or component damage disconnect power before attempting installation or servicing.
- This product must be installed in accordance with the national electric code (NEC) and all applicable federal, state and local electric codes and safety standards.
- Disconnect product and allow cooling prior to servicing.
- Any alteration or modification of this product is expressly forbidden as it may cause serious personal injury, death, property damage and/or product malfunction.
- To prevent product malfunction and/or electrical shock this product must be properly grounded.
- This luminaire is designed to operate in ambient temperatures ranging from -40°F to 130°F and to be horizontally mounted facing down.
- This product must be installed in accordance with the applicable installation code by a person familiar with the construction and operation of the product and the hazards involved.
- Slip-fitter Mounted with photocell function elevation angle should not exceed 15 degrees.
- This product is not available for several special environments, such as places with corrosive gas liquids or high pressure water vapor.
- MIN 167°F SUPPLY CONDUCTORS
- CONSULT A QUALIFIED ELECTRICIAN TO ENSURE CORRECT BRANCH CIRCUIT CONDUCTOR
- CAUTION - RISK OF FIRE

#### Square/Round Pole (Figure 1)

1. Remove the side plate from mounting bracket. Please skip to step 3 if mounted onto the square Pole.
2. Attach round pole mounting plate on mounting bracket.
3. Route the cord into mounting bracket through the hole for wiring, slide the fixture onto the bracket and tighten 2 bottom screws.
4. Slightly drag the wires to make sure the hole on bracket is sealed by silicon gasket.
5. Make wiring connection as per wire diagram below, replace the side plate and fasten screws.

#### Slip-Fitter (Figure 2)

1. Connect the wires to L/N/GND
2. Remove the cover and adjust the bracket to the desired angle
3. Install the bracket on the pole and fix it with screws

#### Wall-Mount (Figure 3)

1. Remove the side plate by loosen the screws.
2. Fix the back plate onto the arm bracket with screws provided.
3. Use the metal template provided to locate footprint on the wall to drill the holes, then fix the bracket on the wall with screws.
4. Route the power cord into wall mount bracket, slide the fixture onto the mounting bracket, then tighten bottom screws.
5. Make wiring connection inside of bracket and replace the side plate with screws.

Figure 1

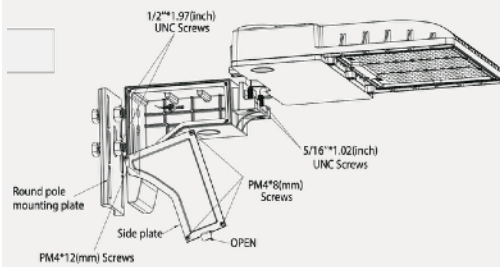


Figure 2

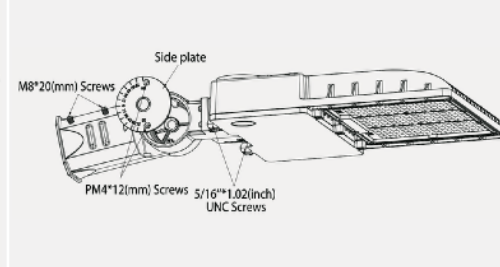
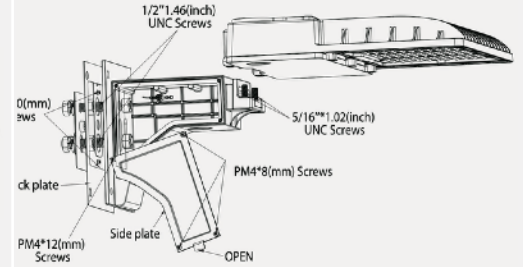
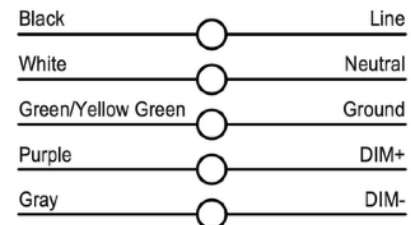
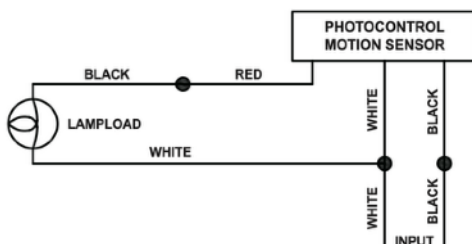


Figure 3



## WIRING DETAILS



## WARRANTY



5-Years



50,000Hrs

The lesser of 5-Years after shipment by Seller, or 50,000-Hours of use.

ARCHIPELAGO will not under any circumstances whether as a result of breach of contract, breach of warranty, tort, strict liability or otherwise be liable for consequential, incidental, special or exemplary damages including but not limited to, loss of profits or revenues, loss of use of the above product or any other goods or associated equipment or damage to any associated equipment, cost of capital, cost of substituted products, facilities of services, downtime cost, or claims of claimant's customers. ARCHIPELAGO's liability on any claim of any kind for any loss or damages arising out of, resulting from or concerning any aspect of this agreement or from the product or services furnished hereunder shall not exceed the price of the specific product or products listed above which gives rise to the claim. This warranty gives the claimant specific legal rights. The claimant may also have other rights, which vary from state to state.

For a complete documentation of ARCHIPELAGO Lighting, Inc. warranty and limitation of liability, please refer to [www.archipelagolighting.com](http://www.archipelagolighting.com).

## CERTIFICATIONS



## QUESTIONS?

### ARCHIPELAGO LIGHTING, Inc.

#### Headquartered:

4615 State Street, Montclair, CA 91763

#### Production Facility:

7345 Sycamore Canyon Blvd, Riverside, CA 92508

[www.archipelagolighting.com](http://www.archipelagolighting.com)[sales@archipelagolighting.com](mailto:sales@archipelagolighting.com)

t: (866) 912-3220

f: (909) 627-2887

## ARCHIPELAGO LIGHTING

Archipelago Lighting, Inc. is a leading prime manufacturer of commercial and residential lighting products in USA and China. We are a team of passionate lighting professionals whose goal is to improve life through disruptive LED lighting products. We manufacture a wide variety of products to support the growing adoption of energy efficient LED.

