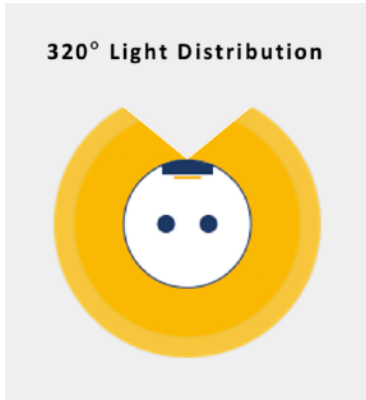


| | | | |
|---------------|-------------------|-----------------|--------|
| Project Name: | Fixture Schedule: | Product Number: | Notes: |
|---------------|-------------------|-----------------|--------|



| | |
|-------------------------------|---|
| Product Series: | TUBULARCH SPEC GRADE |
| Lamp Type: | LED smarT8 Dual Mode Type A+B |
| Base Type: | G13 Medium Bi-Pin, FA8 & R17d (8FT) |
| Wattage Equivalent: | 17W (2FT) 25W (3FT) 32W (4FT) 59W (8FT) |
| CCT Options: | 3000K 3500K 4100K 5000K |
| Operating Temperature: | -4°F to 113°F |
| Regulatory: | UL Damp Location |
| QPL Rebate: | DLC Standard |
| Warranty¹: | 7 Years 50,000 Hours |



KEY FEATURES

- ✓ Full Length Glass Lens With 320° Light Distribution
- ✓ Uniform, End To End Light Output W/ Zero Pixelation
- ✓ smarT8: Compatible To Ballast (UL-A) and Bypass (UL-B)
- ✓ Bypass (UL-B) May Be Single-Ended Or Doubled-Ended
- ✓ Compatible to shunted and/or non-shunted lamp holders
- ✓ Dimmable When Used With Compatible Dimming Ballast
- ✓ Suitable For Enclosed, Dry And Damp Locations
- ✓ All Glass Construction w/ PET Coating for Shatterproof (Polyethylene Terephthalate) — Meets NSF Standards for Food Safety

PERFORMANCE SUMMARY

| MODELS | LENGTH | BARE WATT LUMEN* | CCT[xx] | LISTING | WARRANTY | CTN QTY |
|-------------|--------|--------------------|----------------|----------|---------------------|---------|
| LT8F208xxU5 | 2FT | 8W 1200LM | 30-35-41-5000K | UL DLC | 7 Years - 50,000Hrs | 25 |
| LT8F312xxU5 | 3FT | 12W 1600LM | 30-35-41-5000K | UL DLC | 7 Years - 50,000Hrs | 25 |
| LT8F410xxU5 | 4FT | 10W 1700LM | 30-35-40-5000K | UL DLC | 7 Years - 50,000Hrs | 25 |
| LT8F412xxU5 | 4FT | 12W 1800LM | 30-35-41-5000K | UL DLC | 7 Years - 50,000Hrs | 25 |
| LT8F415xxU5 | 4FT | 15W 2300LM | 30-35-41-5000K | UL DLC | 7 Years - 50,000Hrs | 25 |
| LT8F842xxU5 | 8FT | 42W 5500LM | 30-35-41-5000K | UL DLC | 7 Years - 50,000Hrs | 25 |

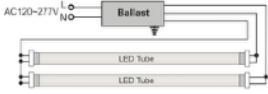
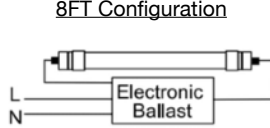
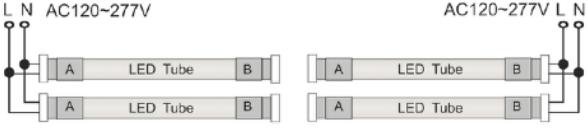
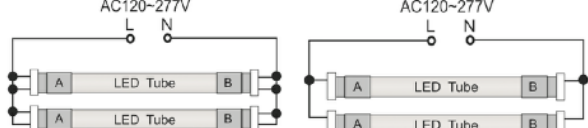
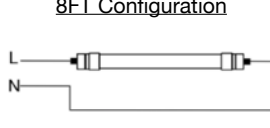
* NOTE: Please refer to PERFORMANCE SPECIFICATIONS on page 2 for detailed performance.



ORDERING GUIDE

| MODEL NUMBERS | FAMILY | LAMP TYPE | LENGTH | WATTAGE | CCT | OPERATION |
|--|------------------|-----------------|---------|----------|--|--------------------|
| 2FT | | | | | | |
| LT8F20830U5 LT8F20835U5 LT8F20841U5 LT8F20850U5 | LT Linear Tube | 8F T8 Frosted | 2 2FT | 08 8W | 30 3000K 35 3500K 41 4100K 50 5000K | U5 Universal A+B |
| 3FT | | | | | | |
| LT8F31230U5 LT8F31235U5 LT8F31241U5 LT8F31250U5 | LT Linear Tube | 8F T8 Frosted | 3 3FT | 12 12W | 30 3000K 35 3500K 41 4100K 50 5000K | U5 Universal A+B |
| 4FT | | | | | | |
| LT8F41030U5 LT8F41035U5 LT8F41040U5 LT8F41050U5 | LT Linear Tube | 8F T8 Frosted | 4 4FT | 10 10W | 30 3000K 35 3500K 40 4000K 50 5000K | U5 Universal A+B |
| LT8F41230U5 LT8F41235U5 LT8F41241U5 LT8F41250U5 | LT Linear Tube | 8F T8 Frosted | 4 4FT | 12 12W | 30 3000K 35 3500K 41 4100K 50 5000K | U5 Universal A+B |
| LT8F41530U5 LT8F41535U5 LT8F41541U5 LT8F41550U5 | LT Linear Tube | 8F T8 Frosted | 4 4FT | 15 15W | 30 3000K 35 3500K 41 4100K 50 5000K | U5 Universal A+B |
| 8FT | | | | | | |
| LT8F84230U5 LT8F84235U5 LT8F84241U5 LT8F84250U5 | LT Linear Tube | 8F T8 Frosted | 8 8FT | 42 42W | 30 3000K 35 3500K 41 4100K 50 5000K | U5 Universal A+B |

INSTALLATION METHODS

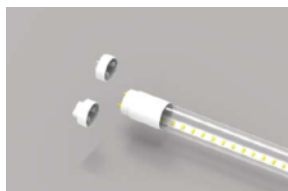
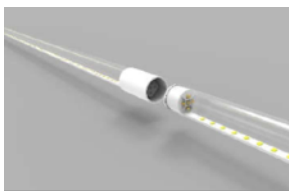
| INSTALLATION TYPE | CONFIGURATION DIAGRAM |
|---|---|
| Ballast Compatible (UL-A) Make sure the ballast is on the compatible list. If the ballast you intend on using is not on the list, you may choose to use ballast bypass mode shown below. |   |
| Bypass Single-Ended (UL-B) Make sure to use non-shunted lampholder for use to connect to the powered end. |  |
| Bypass Double-Ended (UL-B) May be wired as bi-pin powered or single-pin powered as shown in the configuration diagram to the right. |   |



DLC MODEL GUIDE & PERFORMANCE SPECIFICATIONS

| MODEL NUMBERS | DLC PRODUCT ID | BARE LAMP (UL-B) SYSTEM (UL-A) (W) | BARE LUMEN | LAMP EFFICACY | CCT | CRI | PF | INPUT VOLTAGE |
|--|--|------------------------------------|--------------------------------------|--|----------------------------------|-----|-------|---------------------|
| 2FT | | | | | | | | |
| LT8F20830U5 LT8F20835U5 LT8F20841U5 LT8F20850U5 | PLDL5HI6SAAY PLZP13VB1KSP PLWMCS67VN2I PLV6UYFLV1CV | 8W 9.8W | 1181LM 1190LM 1195LM 1205LM | 148LM/W 149LM/W 149LM/W 151LM/W | 3000K 3500K 4100K 5000K | ≥83 | ≥0.90 | 120-277V 50/60Hz |
| 3FT | | | | | | | | |
| LT8F31230U5 LT8F31235U5 LT8F31241U5 LT8F31250U5 | PL6WQDOQ37ZU PL09YA2SA7VP PLJGHFEGWWD5 PLN4Y3JENDNE | 12W 13.9W | 1560LM 1571LM 1583LM 1605LM | 130LM/W 131LM/W 132LM/W 134LM/W | 3000K 3500K 4100K 5000K | ≥83 | ≥0.90 | 120-277V 50/60Hz |
| 4FT | | | | | | | | |
| LT8F41030U5 LT8F41035U5 LT8F41040U5 LT8F41050U5 | PWPKGGSV P8REX8Y5 PO3Z441E PSK3Y62O | 10W 11.9W | 1650LM 1670LM 1685LM 1705LM | 165LM/W 167LM/W 169LM/W 170LM/W | 3000K 3500K 4000K 5000K | ≥83 | ≥0.90 | 120-277V 50/60Hz |
| LT8F41230U5 LT8F41235U5 LT8F41241U5 LT8F41250U5 | PLKY4RZSXFYJ PLBEWHEEUT7Z PLRFPMSKXZ4B PLPKPSNAD4PA | 12W 14W | 1747LM 1750LM 1800LM 1800LM | 146LM/W 146LM/W 150LM/W 150LM/W | 3000K 3500K 4100K 5000K | ≥83 | ≥0.90 | 120-277V 50/60Hz |
| LT8F41530U5 LT8F41535U5 LT8F41541U5 LT8F41550U5 | PLVODXLQ2UUN PLOOTWB169EK PL9Z033CTLZC PLIFE98KD1ZN | 15W 17.3W | 2215LM 2260LM 2280LM 2300LM | 148LM/W 151LM/W 152LM/W 153LM/W | 3000K 3500K 4100K 5000K | ≥83 | ≥0.90 | 120-277V 50/60Hz |
| LT8F84230U5 LT8F84235U5 LT8F84241U5 LT8F84250U5 | PLQGGP4PGZA9 PLE8FPC83T8S PL9EZRLWCHW8 PL5Z47CO8GOP | 42W 44.8W | 5984LM 6000LM 6000LM 6000LM | 143LM/W 143LM/W 143LM/W 143LM/W | 3000K 3500K 4100K 5000K | ≥83 | ≥0.90 | 120-277V 50/60Hz |

8FT KEY FEATURES & SPECIFICATION



Combine 2-Separate 4Ft Halves For 8Ft Tube

Extend From Standard G13 Endcap

Optional FA8 Endcap Adaptor

Optional R17d Endcap Adaptor

Current Leakage Protection: UL1993

Easy to Pick/Pack/Ship

Constant Power Output

Prevents Dead Pixels

Eases Inventory Control

Comes With Clipholder



TUBULARCH | T8 LINEUP COMPARISON CHART

| K5-Series (UL-A) | | | | DE5-Series (UL-B) | | | | U5-Series (UL-A and UL-B) | | | |
|------------------|-------|---|-------------|-------------------|---|---|--------------|---------------------------|---|---|-------------|
| CCT | | → | Part Number | CCT | | → | Part Number | CCT | | → | Part Number |
| 2FT | | | | | | | | | | | |
| 8W | | | | | | | | 3000K | → | | LT8F20830U5 |
| | | | | | | | | 3500K | → | | LT8F20835U5 |
| | | | | | | | | 4100K | → | | LT8F20841U5 |
| | | | | | | | | 5000K | → | | LT8F20850U5 |
| 3FT | | | | | | | | | | | |
| 12W | | | | | | | | 3000K | → | | LT8F31230U5 |
| | | | | | | | | 3500K | → | | LT8F31235U5 |
| | | | | | | | | 4100K | → | | LT8F31241U5 |
| | | | | | | | | 5000K | → | | LT8F31250U5 |
| 4FT | | | | | | | | | | | |
| 10W | | | | 3000K | → | | LT8F41030DE5 | 3000K | → | | LT8F41030U5 |
| | | | | 3500K | → | | LT8F41035DE5 | 3500K | → | | LT8F41035U5 |
| | | | | 4100K | → | | LT8F41041DE5 | 4100K | → | | LT8F41041U5 |
| | | | | 5000K | → | | LT8F41050DE5 | 5000K | → | | LT8F41050U5 |
| 12W | 3000K | → | LT8F41230K5 | 3000K | → | | LT8F41230DE5 | 3000K | → | | LT8F41230U5 |
| | 3500K | → | LT8F41235K5 | 3500K | → | | LT8F41235DE5 | 3500K | → | | LT8F41235U5 |
| | 4100K | → | LT8F41241K5 | 4100K | → | | LT8F41241DE5 | 4100K | → | | LT8F41241U5 |
| | 5000K | → | LT8F41250K5 | 5000K | → | | LT8F41250DE5 | 5000K | → | | LT8F41250U5 |
| 15W | | | | 3000K | → | | LT8F41530DE5 | 3000K | → | | LT8F41530U5 |
| | | | | 3500K | → | | LT8F41535DE5 | 3500K | → | | LT8F41535U5 |
| | | | | 4100K | → | | LT8F41541DE5 | 4100K | → | | LT8F41541U5 |
| | | | | 5000K | → | | LT8F41550DE5 | 5000K | → | | LT8F41550U5 |
| 18W | | | | 3000K | → | | LT8F41830DE5 | | | | |
| | | | | 3500K | → | | LT8F41835DE5 | | | | |
| | | | | 4100K | → | | LT8F41841DE5 | | | | |
| | | | | 5000K | → | | LT8F41850DE5 | | | | |
| 8FT | | | | | | | | | | | |
| 42W | | | | | | | | 3000K | → | | LT8F84230U5 |
| | | | | | | | | 3500K | → | | LT8F84235U5 |
| | | | | | | | | 4100K | → | | LT8F84241U5 |
| | | | | | | | | 5000K | → | | LT8F84250U5 |



BALLAST COMPATIBILITY LIST: 2FT, 3FT, & 4FT

| MODEL | BRAND | BALLAST TYPE | LAMP QTY | INPUT VOLTAGE (Vac) | INPUT CURRENT (mA) | INPUT WATTAGE (W) | OUTPUT VOLTAGE (Vdc) | OUTPUT CURRENT (mA) | OUTPUT WATTAGE (W) | POWER FACTOR |
|----------------------|-------------------|---------------|----------|---------------------|--------------------|-------------------|----------------------|---------------------|--------------------|--------------|
| GE432MAXPH/ULTRA | UltraMax P-Series | Instant Start | 1 | 120 | 251 | 30.47 | 67.77 | 296 | 20 | 0.984 |
| | | | | 277 | 164 | 31.96 | 68.2 | 303 | 20.64 | 0.675 |
| | | | 4 | 120 | 558 | 67.75 | 65.96 | 205.4 | 13.54 | 0.996 |
| | | | | 277 | 272 | 66.84 | 65.82 | 205.4 | 13.52 | 0.89 |
| GE332-MVPS-XL | ULTRASTART T8 | Program Start | 1 | 120 | 128 | 15.25 | 63.8 | 120 | 7.65 | 0.965 |
| | | | | 277 | 85 | 16.18 | 63.89 | 119.9 | 7.66 | 0.68 |
| | | | 3 | 120 | 219 | 26.73 | 63.12 | 96.66 | 6.1 | 0.993 |
| | | | | 277 | 116 | 27.06 | 63.08 | 96.56 | 6.09 | 0.842 |
| GE332-MVPS-L | ULTRASTART T8 | Program Start | 1 | 120 | 142 | 16.96 | 64.65 | 152.5 | 9.84 | 0.986 |
| | | | | 277 | 81 | 17.81 | 64.85 | 152.7 | 9.9 | 0.789 |
| | | | 3 | 120 | 254 | 30.53 | 63.74 | 117.1 | 7.46 | 0.995 |
| | | | | 277 | 121 | 30.67 | 63.69 | 117 | 7.45 | 0.908 |
| BAF232PS/MV | Plusrite RoHS | Program Start | 2 | 120 | 298 | 35.05 | 65.57 | 152.1 | 11.94 | 0.998 |
| BAF232IS/MV | | Instant Start | 1 | 120 | 152 | 18.04 | 65.97 | 193.2 | 12.74 | 0.991 |
| | | | | 277 | 79 | 18.53 | 66.19 | 193.4 | 12.79 | 0.845 |
| | | | 2 | 120 | 221 | 26.41 | 65.08 | 155.8 | 10.14 | 0.995 |
| | | | | 277 | 101 | 26.43 | 65.2 | 155.9 | 10.16 | 0.939 |
| BAF332IS/MV | | Instant Start | 1 | 120 | 170 | 20.21 | 66.41 | 203.7 | 13.52 | 0.99 |
| | | | | 277 | 89 | 20.63 | 66.54 | 204 | 13.56 | 0.838 |
| | | | 3 | 120 | 315 | 27.82 | 65.37 | 157 | 10.25 | 0.997 |
| | | | | 277 | 145 | 37.56 | 65.35 | 157 | 10.25 | 0.933 |
| BAF432IS/MV | | Instant Start | 1 | 120 | 198 | 23.13 | 66.38 | 219.7 | 14.58 | 0.984 |
| | | | | 277 | 108 | 24.05 | 66.67 | 221 | 14.72 | 0.798 |
| | | | 4 | 120 | 442 | 51.77 | 64.92 | 155.2 | 10.07 | 0.996 |
| | 277 | | | 198 | 50.89 | 64.81 | 154.9 | 10.04 | 0.934 | |
| KTEB-432-UV-IS-N-P | KEYSTONE | Instant Start | 1 | 120 | 199 | 23.57 | 66.77 | 224 | 14.93 | 0.983 |
| | | | | 277 | 110 | 24.3 | 66.54 | 224 | 14.83 | 0.796 |
| | | | 4 | 120 | 418 | 51 | 64.78 | 154.7 | 10.02 | 0.996 |
| | | | | 277 | 200 | 51.5 | 64.85 | 155 | 10.04 | 0.929 |
| KTEB-432RIS-1-TP-SL | | Instant Start | 1 | 120 | 129 | 18.45 | 64.89 | 160.3 | 10.37 | 0.889 |
| | | | 4 | 120 | 250 | 33.1 | 63.47 | 107.3 | 6.87 | 0.924 |
| KTEB-332-UV-IS-N-P | | Instant Start | 1 | 120 | 193 | 21.97 | 66.25 | 199.7 | 13.22 | 0.992 |
| | | | | 277 | 90 | 22.52 | 66.04 | 199.4 | 13.16 | 0.901 |
| | | | 4 | 120 | 323 | 38.9 | 64.73 | 151.1 | 9.78 | 0.997 |
| | | | | 277 | 149 | 39.4 | 64.83 | 151.5 | 9.81 | 0.953 |
| KTEB-232RIS-1-TP-SLJ | | Instant Start | 1 | 120 | 288 | 20.33 | 66.46 | 204.3 | 13.57 | 0.58 |
| | | | 2 | 120 | 391 | 28.7 | 65.2 | 166 | 10.82 | 0.604 |



| MODEL | BRAND | BALLAST TYPE | LAMP QTY | INPUT VOLTAGE (Vac) | INPUT CURRENT (mA) | INPUT WATTAGE (W) | OUTPUT VOLTAGE (Vdc) | OUTPUT CURRENT (mA) | OUTPUT WATTAGE (W) | POWER FACTOR |
|--------------------|---------------|---------------|----------|---------------------|--------------------|-------------------|----------------------|---------------------|--------------------|--------------|
| KTEB-232-UV-IS-N-P | | Instant Start | 1 | 120 | 160 | 19.2 | 65.94 | 192.4 | 12.68 | 0.993 |
| | | | | 277 | 75 | 19.12 | 65.76 | 192 | 13.62 | 0.926 |
| | | | 2 | 120 | 220 | 26.68 | 64.74 | 154.5 | 10 | 0.996 |
| | | | | 277 | 102 | 26.88 | 64.78 | 154.6 | 10.01 | 0.956 |
| 40155-SU-SB/232/MV | SUNLITE | Instant Start | 1 | 120 | 151 | 18.27 | 66 | 196 | 12.93 | 0.995 |
| | | | | 277 | 79 | 18.56 | 65.85 | 195.5 | 12.87 | 0.851 |
| | | | 2 | 120 | 220 | 26.53 | 64.91 | 160 | 10.39 | 0.998 |
| | | | | 277 | 103 | 26.78 | 65 | 160.2 | 10.41 | 0.944 |
| PES120ET5-E120T2 | PES | Instant Start | 1 | 120 | 350 | 23.72 | 68.15 | 394.8 | 20.9 | 0.571 |
| 2 | | | 120 | 442 | 23.04 | 66.38 | 217.5 | 14.43 | 0.579 | |
| PES120ET8-12SMT-4 | | Instant Start | 1 | 120 | 1.337 | 111.8 | 77.4 | 929 | 71.94 | 0.691 |
| | | | 4 | 120 | 1.143 | 94.87 | 67.72 | 274.8 | 18.61 | 0.684 |
| GE132MAX-H/Ultra | ULTRAMAX T8 | Instant Start | 1 | 120 | 157 | 19 | 66.45 | 217.2 | 14.43 | 0.994 |
| 277 | | | | 76 | 19.33 | 66.77 | 217.5 | 14.49 | 0.92 | |
| GE132MAX-H/ULTRA | | Instant Start | 1 | 120 | 143 | 17.3 | 66.19 | 200.5 | 13.27 | 0.996 |
| | | | | 277 | 69 | 17.41 | 66 | 201 | 13.27 | 0.912 |
| GE132MAX-G-N | | Instant Start | 1 | 120 | 147 | 17.36 | 65.9 | 201.5 | 13.28 | 0.995 |
| | | | | 277 | 70 | 17.65 | 66.16 | 200 | 13.28 | 0.904 |
| GE132-MVPS-H | | Program Start | 1 | 120 | 171 | 20.58 | 66.45 | 224.5 | 14.9 | 0.996 |
| | | | | 277 | 81 | 20.9 | 66.7 | 225.4 | 15.02 | 0.931 |
| GE-132-MV-PS-L | | Program Start | 1 | 120 | 103 | 12.3 | 63.86 | 118.2 | 7.55 | 0.99 |
| | | | | 277 | 54 | 12.56 | 63.77 | 118.2 | 7.54 | 0.837 |
| GE232-120RES-B | | Instant Start | 1 | 120 | 253 | 17.6 | 65.96 | 183.1 | 12.07 | 0.569 |
| | | | 2 | 120 | 358 | 26.1 | 65.07 | 155.2 | 10.1 | 0.598 |
| GE232MAX-L/ULTRA | | Instant Start | 1 | 120 | 132 | 16.04 | 65.16 | 164.7 | 10.73 | 0.992 |
| | | | | 277 | 65 | 16.25 | 65 | 164.3 | 10.68 | 0.892 |
| | | | 2 | 120 | 238 | 28.97 | 66.55 | 235.7 | 15.68 | 0.997 |
| | | | | 277 | 109 | 29.03 | 66.77 | 236.3 | 15.77 | 0.959 |
| GE232-MVPS-L | Program Start | 1 | 120 | 126 | 15.31 | 64.57 | 147.1 | 9.49 | 0.991 | |
| | | | 277 | 65 | 15.82 | 64.7 | 147.7 | 9.54 | 0.871 | |
| | | 2 | 120 | 187 | 22.74 | 64.1 | 126.9 | 8.13 | 0.995 | |
| | | | 277 | 88 | 22.96 | 64 | 126.4 | 8.08 | 0.933 | |
| GE232-MVPS-N | Program Start | 1 | 120 | 159 | 18.92 | 65.28 | 180.8 | 11.8 | 0.992 | |
| | | | 277 | 80 | 19.5 | 65.26 | 180.7 | 11.79 | 0.884 | |
| | | 2 | 120 | 222 | 27.05 | 64.55 | 151.4 | 9.77 | 0.995 | |
| | | | 277 | 107 | 27.55 | 64.57 | 151.5 | 9.78 | 0.928 | |
| GE232-MV-PS-N | Program Start | 1 | 120 | 152 | 18.23 | 65.6 | 184.9 | 12.13 | 0.996 | |
| | | | 277 | 74 | 18.6 | 64.77 | 185.2 | 12.17 | 0.929 | |
| | | 2 | 120 | 219 | 26.17 | 64.74 | 150.9 | 9.77 | 0.998 | |
| | | | 277 | 98 | 25.92 | 64.66 | 150.8 | 9.75 | 0.958 | |



| MODEL | BRAND | BALLAST TYPE | LAMP QTY | INPUT VOLTAGE (Vac) | INPUT CURRENT (mA) | INPUT WATTAGE (W) | OUTPUT VOLTAGE (Vdc) | OUTPUT CURRENT (mA) | OUTPUT WATTAGE (W) | POWER FACTOR |
|------------------------|------------------------|---------------|----------|---------------------|--------------------|-------------------|----------------------|---------------------|--------------------|--------------|
| GE132MAXP-L/ULTRA | UltraMax P-SeriesT8 | Instant Start | 1 | 120 | 153 | 17.8 | 64.8 | 148.9 | 9.64 | 0.995 |
| | | | 1 | 277 | 72 | 18.02 | 64.68 | 148.6 | 9.61 | 0.904 |
| GE-232-MV-N | | Instant Start | 1 | 120 | 147 | 17.62 | 65.62 | 186 | 12.21 | 0.99 |
| | | | | 277 | 72 | 18.34 | 65.82 | 186.6 | 12.27 | 0.917 |
| | | | 2 | 120 | 212 | 25.44 | 64.68 | 151.1 | 9.77 | 0.994 |
| | | | | 277 | 97 | 25.48 | 64.62 | 151 | 9.75 | 0.95 |
| GE332MAXP-L/ULTRA | | Instant Start | 1 | 120 | 164 | 19.77 | 65.38 | 179.3 | 11.71 | 0.99 |
| | | | | 277 | 92 | 20.33 | 65.55 | 180.7 | 11.83 | 0.793 |
| | | | 3 | 120 | 300 | 36.24 | 64.29 | 137.2 | 8.82 | 0.996 |
| | | | | 277 | 141 | 35.84 | 64.23 | 136.8 | 8.78 | 0.921 |
| GE332MAX-G-N-DIYB | | Instant Start | 1 | 120 | 173 | 20.25 | 65.83 | 197.4 | 12.98 | 0.991 |
| | | | | 277 | 88 | 21.27 | 66.09 | 198.2 | 13.06 | 0.87 |
| | | | 3 | 120 | 328 | 38.80 | 64.83 | 150.8 | 9.77 | 0.996 |
| | | | | 277 | 145 | 38.52 | 64.69 | 150.5 | 9.74 | 0.952 |
| GE332MAX-G-N | | Instant Start | 1 | 120 | 172 | 20.45 | 65.92 | 200 | 13.18 | 0.99 |
| | | | | 277 | 90 | 21.45 | 66.1 | 200.7 | 13.26 | 0.869 |
| | 3 | | 120 | 325 | 38.5 | 64.84 | 154.4 | 10 | 0.996 | |
| | | | 277 | 143 | 38.2 | 64.72 | 154.1 | 9.98 | 0.948 | |
| GE332MAX-G-H | Instant Start | 1 | 120 | 247 | 29.17 | 68 | 287.4 | 19.46 | 0.993 | |
| | | | 277 | 118 | 29.82 | 67.66 | 286.3 | 19.36 | 0.912 | |
| | | 3 | 120 | 429 | 52.56 | 66.13 | 209.9 | 13.87 | 0.997 | |
| | | | 277 | 198 | 53.32 | 66.22 | 210 | 13.91 | 0.972 | |
| GE332MAXP-N/ULTRA | Instant Start | 1 | 120 | 179 | 21.83 | 66.09 | 211.1 | 13.94 | 0.986 | |
| | | | 277 | 93 | 22.81 | 66.26 | 211.8 | 14.03 | 0.886 | |
| | | 3 | 120 | 331 | 40.5 | 64.74 | 152.6 | 9.87 | 0.993 | |
| | | | 277 | 151 | 39.89 | 64.45 | 152.4 | 9.84 | 0.949 | |
| GE332MAXP-H-42T | Instant Start | 1 | 120 | 277 | 33 | 68.3 | 323 | 22 | 0.993 | |
| | | | 277 | 134 | 34.37 | 68.75 | 30 | 22.63 | 0.929 | |
| | | 3 | 120 | 507 | 59.65 | 66.37 | 230 | 15.26 | 0.997 | |
| | | | 277 | 222 | 58.62 | 66.29 | 229.1 | 15.18 | 0.97 | |
| GE432MAXP-L/ULTRA | Instant Start | 1 | 120 | 170 | 20.3 | 65.58 | 191.8 | 12.57 | 0.984 | |
| | | | 277 | 101 | 20.98 | 65.78 | 192.8 | 12.67 | 0.744 | |
| | | 4 | 120 | 380 | 45.27 | 64.26 | 134.9 | 8.66 | 0.995 | |
| | | | 277 | 170 | 44.8 | 64.18 | 134.5 | 8.63 | 0.942 | |
| GE432MAXP-H/ULTRA | Instant Start | 1 | 120 | 276 | 32.02 | 68.4 | 321 | 21.83 | 0.991 | |
| | | | 277 | | | 68.44 | 320 | 21.7 | | |
| | | 4 | 120 | 595 | 70 | 66.12 | 211.6 | 13.98 | 0.997 | |
| | | | 277 | 252 | 68.61 | 65.94 | 210.6 | 13.88 | 0.985 | |
| VEL30BN-2C-10V | ESPEN | DIMMABLE | | | | | | | | |
| VEL30BN-2C-10V (White) | | DIMMABLE | | | | | | | | |



| MODEL | BRAND | BALLAST TYPE | LAMP QTY | INPUT VOLTAGE (Vac) | INPUT CURRENT (mA) | INPUT WATTAGE (W) | OUTPUT VOLTAGE (Vdc) | OUTPUT CURRENT (mA) | OUTPUT WATTAGE (W) | POWER FACTOR | | |
|-----------------------|----------|---------------|---------------|---------------------|--------------------|-------------------|----------------------|---------------------|--------------------|--------------|-------|-------|
| QTP 2x32T8/UNV ISN-SC | SYLVANIA | Instant Start | 1 | 120 | 147 | 17.62 | 65.62 | 186 | 12.21 | 0.99 | | |
| | | | | 277 | 72 | 18.34 | 65.82 | 186.6 | 12.27 | 0.917 | | |
| | | | 2 | 120 | 212 | 25.44 | 64.68 | 151.1 | 9.77 | 0.994 | | |
| | | | | 277 | 97 | 25.48 | 64.62 | 151 | 9.75 | 0.95 | | |
| QTP 4x32T8/UNV ISN-SC | | SYLVANIA | Instant Start | 1 | 120 | 193 | 21.97 | 66.25 | 199.7 | 13.22 | 0.992 | |
| | | | | | 277 | 90 | 22.52 | 66.04 | 199.4 | 13.16 | 0.901 | |
| | | | | 4 | 120 | 323 | 38.9 | 64.73 | 151.1 | 9.78 | 0.997 | |
| | | | | | 277 | 149 | 39.4 | 64.83 | 151.5 | 9.81 | 0.953 | |
| ICN-2P32-N | Advance | | Instant Start | 1 | 120 | 147 | 17.62 | 65.62 | 186 | 12.21 | 0.99 | |
| | | | | | 277 | 72 | 18.34 | 65.82 | 186.6 | 12.27 | 0.917 | |
| | | | | 2 | 120 | 212 | 25.44 | 64.68 | 151.1 | 9.77 | 0.994 | |
| | | | | | 277 | 97 | 25.48 | 64.62 | 151 | 9.75 | 0.95 | |
| ICN-2S40-N | | Advance | Instant Start | 1 | 120 | 147 | 17.62 | 65.62 | 186 | 12.21 | 0.99 | |
| | | | | | 277 | 72 | 18.34 | 65.82 | 186.6 | 12.27 | 0.917 | |
| | | | | 2 | 120 | 212 | 25.44 | 64.68 | 151.1 | 9.77 | 0.994 | |
| | | | | | 277 | 97 | 25.48 | 64.62 | 151 | 9.75 | 0.95 | |
| ICN-4P32-N | Advance | | Instant Start | 1 | 120 | 193 | 21.97 | 66.25 | 199.7 | 13.22 | 0.992 | |
| | | | | | 277 | 90 | 22.52 | 66.04 | 199.4 | 13.16 | 0.901 | |
| | | | | 4 | 120 | 323 | 38.9 | 64.73 | 151.1 | 9.78 | 0.997 | |
| | | | | | 277 | 149 | 39.4 | 64.83 | 151.5 | 9.81 | 0.953 | |
| ICN-1P32-N | | Advance | Instant Start | 1 | 120 | 193 | 21.97 | 66.25 | 199.7 | 13.22 | 0.992 | |
| | | | | | 277 | 90 | 22.52 | 66.04 | 199.4 | 13.16 | 0.901 | |
| IOPA-1P32-N | | | Advance | Instant Start | 1 | 120 | 193 | 21.97 | 66.25 | 199.7 | 13.22 | 0.992 |
| | | | | | | 277 | 90 | 22.52 | 66.04 | 199.4 | 13.16 | 0.901 |
| IOPA-2P32-N | Advance | | | Instant Start | 1 | 120 | 147 | 17.62 | 65.62 | 186 | 12.21 | 0.99 |
| | | | | | | 277 | 72 | 18.34 | 65.82 | 186.6 | 12.27 | 0.917 |
| | | | | | 2 | 120 | 212 | 25.44 | 64.68 | 151.1 | 9.77 | 0.994 |
| | | | | | | 277 | 97 | 25.48 | 64.62 | 151 | 9.75 | 0.95 |
| IOPA-1P32-LW-N | | Advance | | Instant Start | 1 | 120 | 193 | 21.97 | 66.25 | 199.7 | 13.22 | 0.992 |
| | | | | | | 277 | 90 | 22.52 | 66.04 | 199.4 | 13.16 | 0.901 |
| IOPA-2P32-LW-N | | | Advance | Instant Start | 1 | 120 | 147 | 17.62 | 65.62 | 186 | 12.21 | 0.99 |
| | | | | | | 277 | 72 | 18.34 | 65.82 | 186.6 | 12.27 | 0.917 |
| | 2 | | | | 120 | 212 | 25.44 | 64.68 | 151.1 | 9.77 | 0.994 | |
| | | | | | 277 | 97 | 25.48 | 64.62 | 151 | 9.75 | 0.95 | |
| IOPA-4P32-LW-N | Advance | | | Instant Start | 1 | 120 | 193 | 21.97 | 66.25 | 199.7 | 13.22 | 0.992 |
| | | | | | | 277 | 90 | 22.52 | 66.04 | 199.4 | 13.16 | 0.901 |
| | | 4 | | | 120 | 323 | 38.9 | 64.73 | 151.1 | 9.78 | 0.997 | |
| | | | | | 277 | 149 | 39.4 | 64.83 | 151.5 | 9.81 | 0.953 | |
| REZ-2S32-SC | | Advance | Instant Start | 1 | 120 | 147 | 17.62 | 65.62 | 186 | 12.21 | 0.99 | |
| | | | | | 277 | 72 | 18.34 | 65.82 | 186.6 | 12.27 | 0.917 | |



| MODEL | BRAND | BALLAST TYPE | LAMP QTY | INPUT VOLTAGE (Vac) | INPUT CURRENT (mA) | INPUT WATTAGE (W) | OUTPUT VOLTAGE (Vdc) | OUTPUT CURRENT (mA) | OUTPUT WATTAGE (W) | POWER FACTOR | |
|-------------|-------|--------------|---------------|---------------------|--------------------|-------------------|----------------------|---------------------|--------------------|--------------|-------|
| RELB-2S40-N | | | 2 | 120 | 212 | 25.44 | 64.68 | 151.1 | 9.77 | 0.994 | |
| | | | | 277 | 97 | 25.48 | 64.62 | 151 | 9.75 | 0.95 | |
| | | | Instant Start | 1 | 120 | 147 | 17.62 | 65.62 | 186 | 12.21 | 0.99 |
| | | | | | 277 | 72 | 18.34 | 65.82 | 186.6 | 12.27 | 0.917 |
| | | 2 | 120 | 212 | 25.44 | 64.68 | 151.1 | 9.77 | 0.994 | | |
| | | | 277 | 97 | 25.48 | 64.62 | 151 | 9.75 | 0.95 | | |

BALLAST COMPATIBILITY LIST: 8FT

| MODEL | BRAND | BALLAST TYPE | LAMP QTY | INPUT VOLTAGE (Vac) | INPUT CURRENT (mA) | INPUT WATTAGE (W) | OUTPUT VOLTAGE (Vdc) | OUTPUT CURRENT (mA) | OUTPUT WATTAGE (W) | POWER FACTOR |
|------------------|-------------------|---------------|----------|---------------------|--------------------|-------------------|----------------------|---------------------|--------------------|--------------|
| GE432MAXPH/ULTRA | UltraMax P-Series | Instant Start | 1 | 120 | 251 | 30.47 | 67.77 | 296 | 20 | 0.984 |
| | | | | 277 | 164 | 31.96 | 68.2 | 303 | 20.64 | 0.675 |
| | | | 4 | 120 | 558 | 67.75 | 65.96 | 205.4 | 13.54 | 0.996 |
| | | | | 277 | 272 | 66.84 | 65.82 | 205.4 | 13.52 | 0.89 |

WARRANTY



7 Year



50,000 Hours

The lesser of 7-Years after shipment by Seller, or 50,000-Hours of use.

This product line may be eligible for extended 10-Years warranty with an additional fee. Contact ARCHIPELAGO for additional details.

ARCHIPELAGO will not under any circumstances whether as a result of breach of contract, breach of warranty, tort, strict liability or otherwise be liable for consequential, incidental, special or exemplary damages including but not limited to, loss of pro its or revenues, loss of use of the above product or any other goods or associated equipment or damage to any associated equipment, cost of capital, cost of substituted products, facilities of services, downtime cost, or claims of claimant's customers.

For a complete documentation of ARCHIPELAGO Lighting, Inc. warranty and limitation of liability, please refer to www.archipelagolighting.com.

QUESTIONS?

HEADQUARTERED:

4615 State Street,
Montclair, CA 91763

USA PRODUCTION FACILITY:

7345 Sycamore Canyon Blvd,
Riverside, CA 92508

www.archipelagolighting.com
sales@archipelagolighting.com

