

## TUBULARCH T8 – INSTALLATION INSTRUCTIONS

# Bypass TYPE-B with double-ended input.



**WARNING:** THIS PRODUCT MUST BE INSTALLED IN ACCORDANCE WITH ALL APPLICABLE NATIONAL OR LOCAL CODES. THIS INSTALLATION REQUIRES THE MODIFICATION OF EXISTING FLUORESCENT LUMINAIRE AND IT IS RECOMMENDED THAT THIS BE COMPLETED BY A QUALIFIED ELECTRICIAN.

**Not for use with dimmers.**

**RISK OF SHOCK:** Disconnect power at the fuse or circuit breaker, not the wall switch.

**Risk of fire or electric shock:** Install this kit only in the luminaires that have the construction features and dimensions shown in the drawings.

**Risk of fire or electric shock:** luminaires wiring, ballasts, or other electrical parts may be damaged when drilling for installation of retrofit kit hardware. Check for enclosed wiring and components.

To prevent wiring damage or abrasion, do not expose wiring to edges of sheet metal or other sharp objects.

This device complies with Part 15 of the FCC Rules. Operation is subject to the following two conditions: (1) this device may not cause harmful interference, and (2) this device must accept any interference received, including interference that may cause undesired operation

	<h3>IMPORTANT SAFETY INSTRUCTIONS</h3>
--	--

Do not make or alter any open holes in an enclosure of wiring or electrical components during kit installation.

The end retrofit luminaire has been modified and can no longer operate the originally intended lamp.

Caution-Risk of electric shock – suitable for damp location.

Risk of electric shock – do not use where directly exposed to water.

This device is not intended for use with emergency exit fixtures or emergency exit lights.

**This LED tube can be can be wired in either a double-ended or a single-ended configuration.**

# TUBULAR ARCH T8 – INSTALLATION INSTRUCTIONS



## Determine whether the Luminaire Lamp holder is Shunted or Non-shunted type.

Before continuing, determine if the lamp holders currently installed in the luminaire are shunted or non-shunted. If you are still unsure which type lamp holders your luminaire has, contact a Qualified Electrician.

**Instant Start Ballasts = SHUNTED LAMP HOLDER**

**Rapid Start, Programmed-start, or Dimming Ballasts = NON-SHUNTED LAMP HOLDER**



Shunted



Non-Shunted



## RETROFIT/CONVERSION INSTRUCTIONS

**STEP 1:** Disconnect power from fixture.

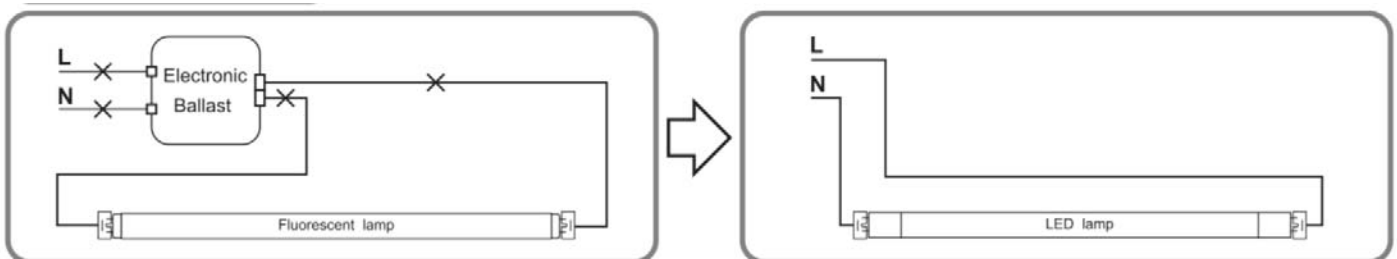
**STEP 2:** Remove fluorescent lamp(s)/Tube(s).

**STEP 3:** Remove wiring compartment cover to access ballast and wiring.

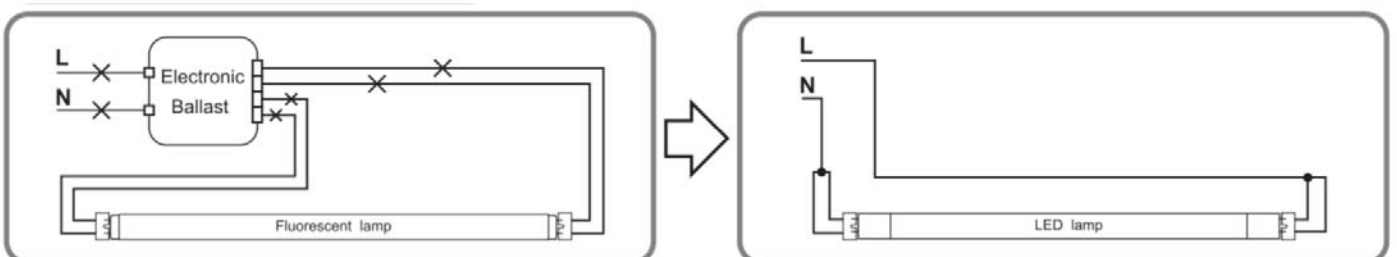
**STEP 4:** Cut Ballast wires per corresponding diagram below. Cut Ballast wires as close to ballast as possible to leave as much wire as possible for making necessary connections to lamp holders. Use properly sized UL Listed wire connectors.

### 1 LAMP DOUBLE ENDED INPUT

Instant Start = Shunted Lamp Holder.



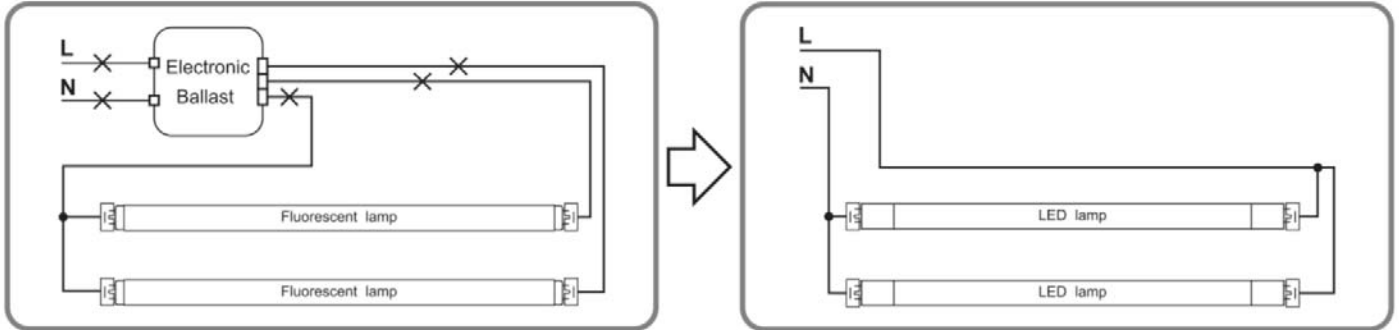
Program Start or Rapid Start = Non-shunted Lamp Holder.



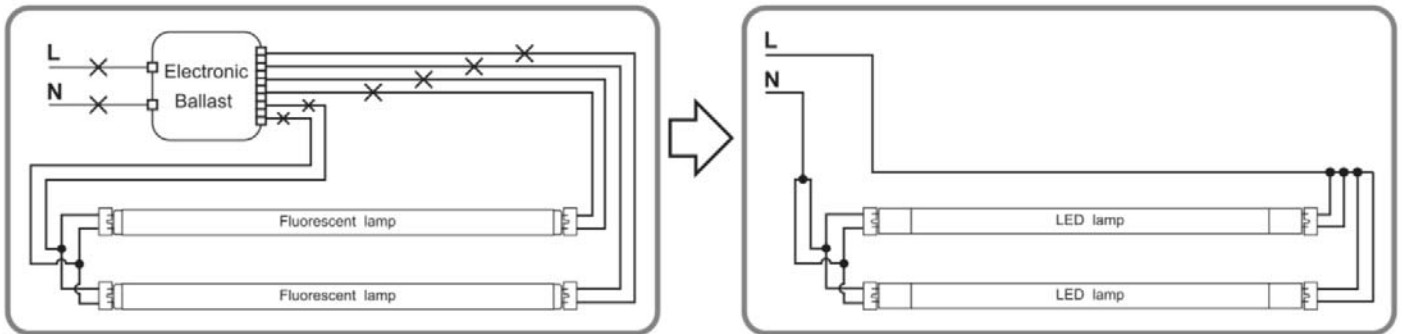
# TUBULAR ARCH T8 – INSTALLATION INSTRUCTIONS

## MULTIPLE LAMP DOUBLE ENDED INPUT

Instant Start = Shunted Lamp Holder.

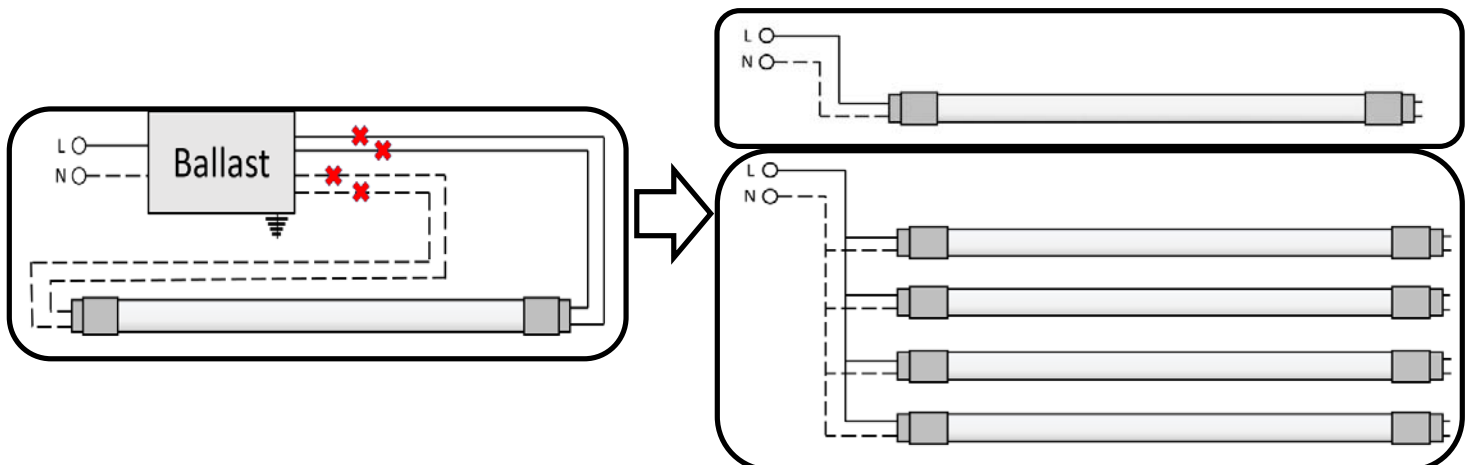


Program Start or Rapid Start = Non-shunted Lamp Holder.



## SINGLE ENDED INPUT

	<p><b>CAUTION! Single-ended input CANNOT be used with Shunted lamp holders.</b></p>
--	---



## TUBULARCH T8 – INSTALLATION INSTRUCTIONS

**STEP 5:** Double check wiring. Replace ballast cover, place the supplied field conversion label in a visible place on the luminaire.

**STEP 6:** Install Tube(s) paying attention to the Line (**L**) & Neutral (**N**) Markings on the ends per Figure 2.

FIGURE 2



**STEP 7:** Turn power back on at fuse or breaker. Test at wall switch. If all tube illuminate, replace diffuser if applicable.

**1-YEAR LIMITED WARRANTY:** For 1 year from the date of purchase, this product is warranted for the original purchaser to be free from defects in materials and workmanship through normal use. In order to obtain this service, please return this item to the place of purchase with valid proof of purchase and the defective product will be replaced at no charge. This guarantee gives you specific legal rights, and you may have other rights that vary from state to state.